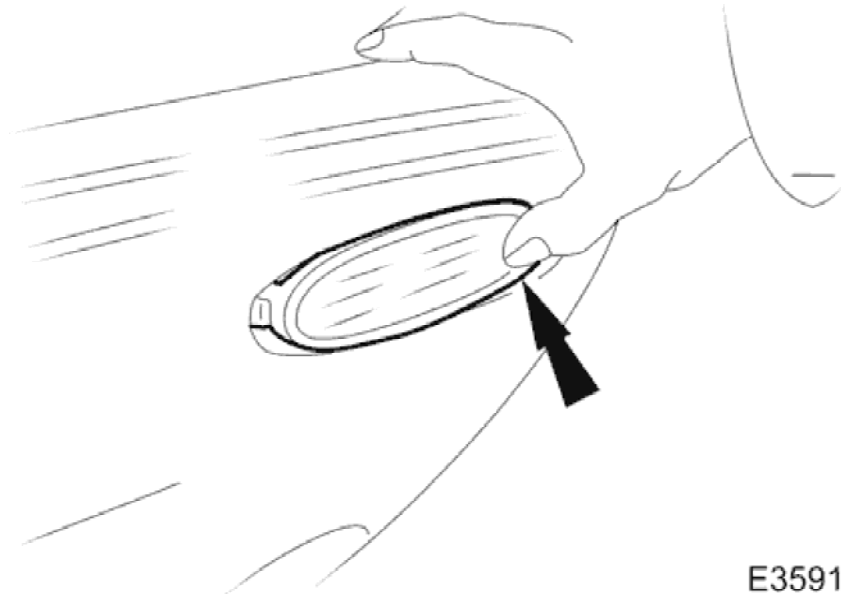


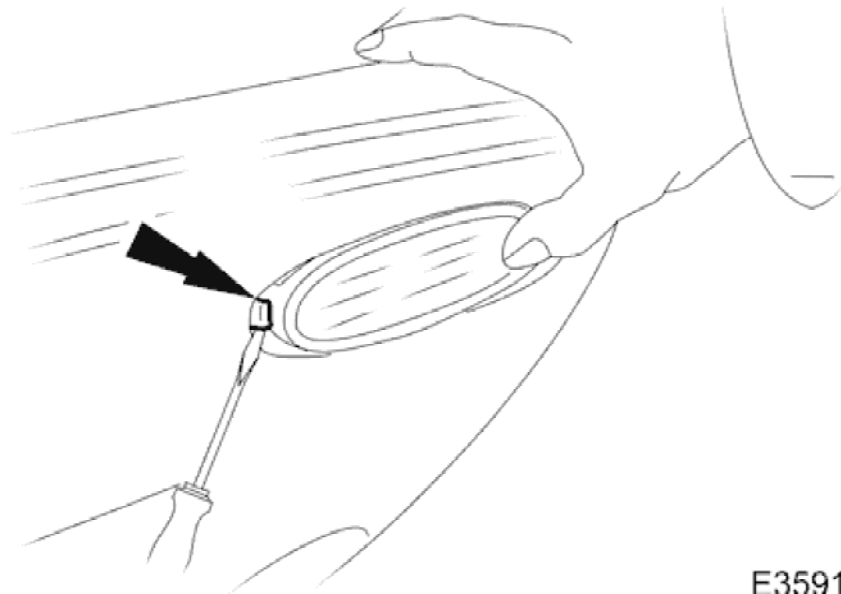
2003 XJ RANGE - Exterior Lighting - 417-01

Front Side Marker Lamp Bulb 86.40.58

Removal

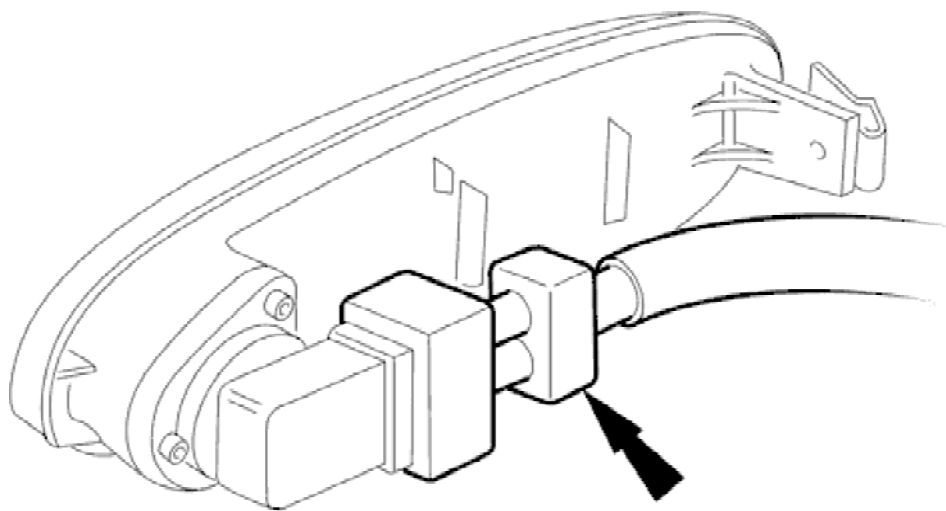


1. Applying firm hand pressure to front end, pivot lamp assembly for access to rear end.



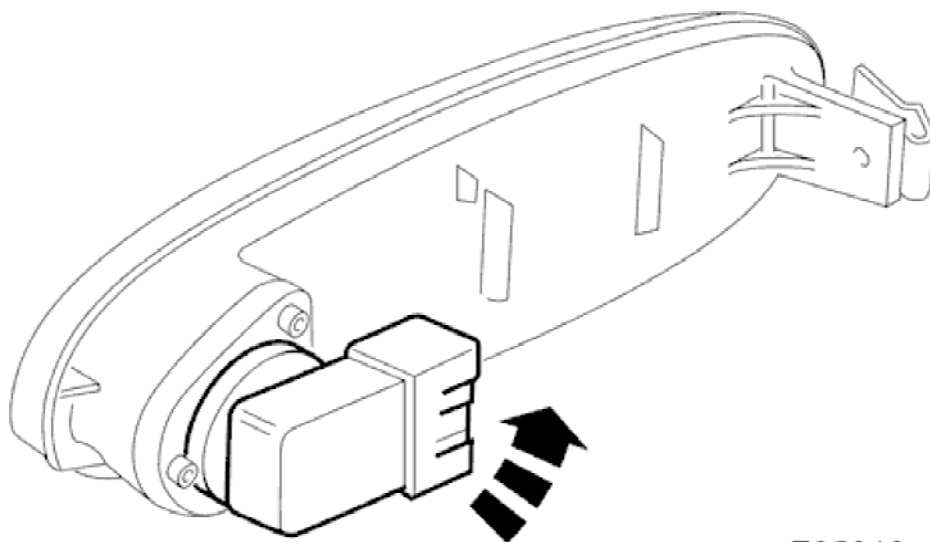
2. Exercising care to avoid damaging paintwork, use a small screwdriver at rear end of lamp, to press and release retaining tang.

2003 XJ RANGE - Exterior Lighting - 417-01



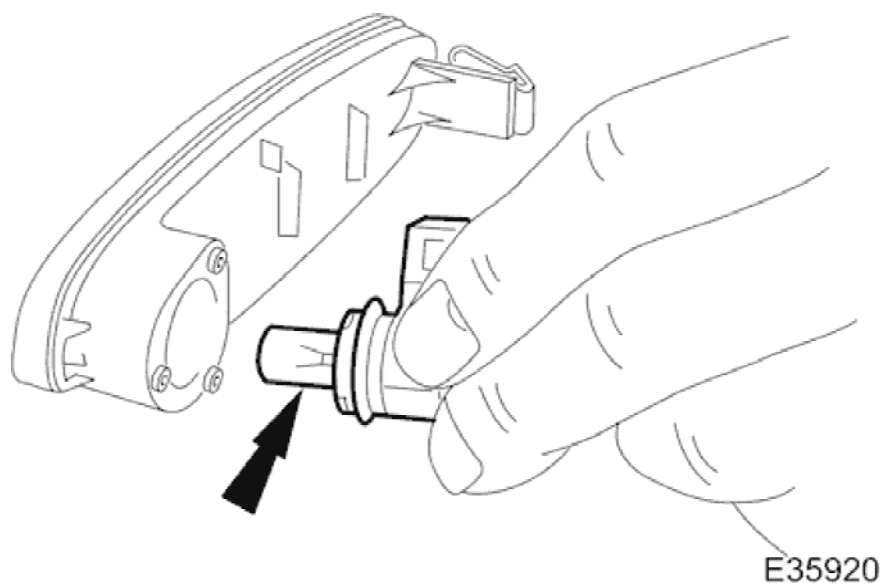
E35918

3. Withdraw lamp from bumper for access and disconnect harness multiplug.



E35919

4. Rotate bulb holder 1/4 turn counter-clockwise to release it from lamp assembly.



5. Withdraw bulb from holder.

Installation

1. Install bulb in holder.
2. Install bulb and bulb holder in lamp assembly and rotate 1/4 turn clockwise to seat and retain.
3. Position direction lamp at bumper aperture and connect harness multiplug.
4. Engage front end tang of lamp in bumper aperture.
5. Pivot lamp assembly and firmly seat rear retaining clip in bumper aperture.