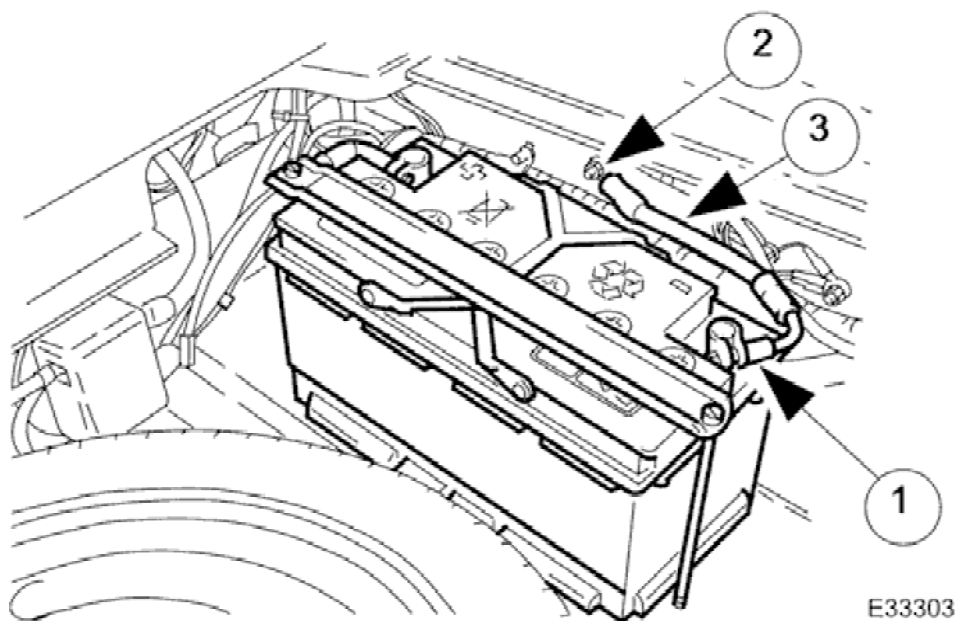


## Battery Ground Cable 86.15.19

### Removal

1. Remove the luggage compartment floor panel (when standard size spare wheel is supplied) and the cover from the battery.



2. Remove the negative lead.
  - Reposition the front edge of the side trim for access to the ground stud.
    1. Slacken the clamp of the negative lead at the battery terminal. Disconnect the negative lead from the battery terminal.
    2. Remove the nut from the ground stud.
    3. Remove the negative lead.

### Installation

1. Installation is the reverse of removal.
2. Perform the Battery Reconnection Procedure described in this section.