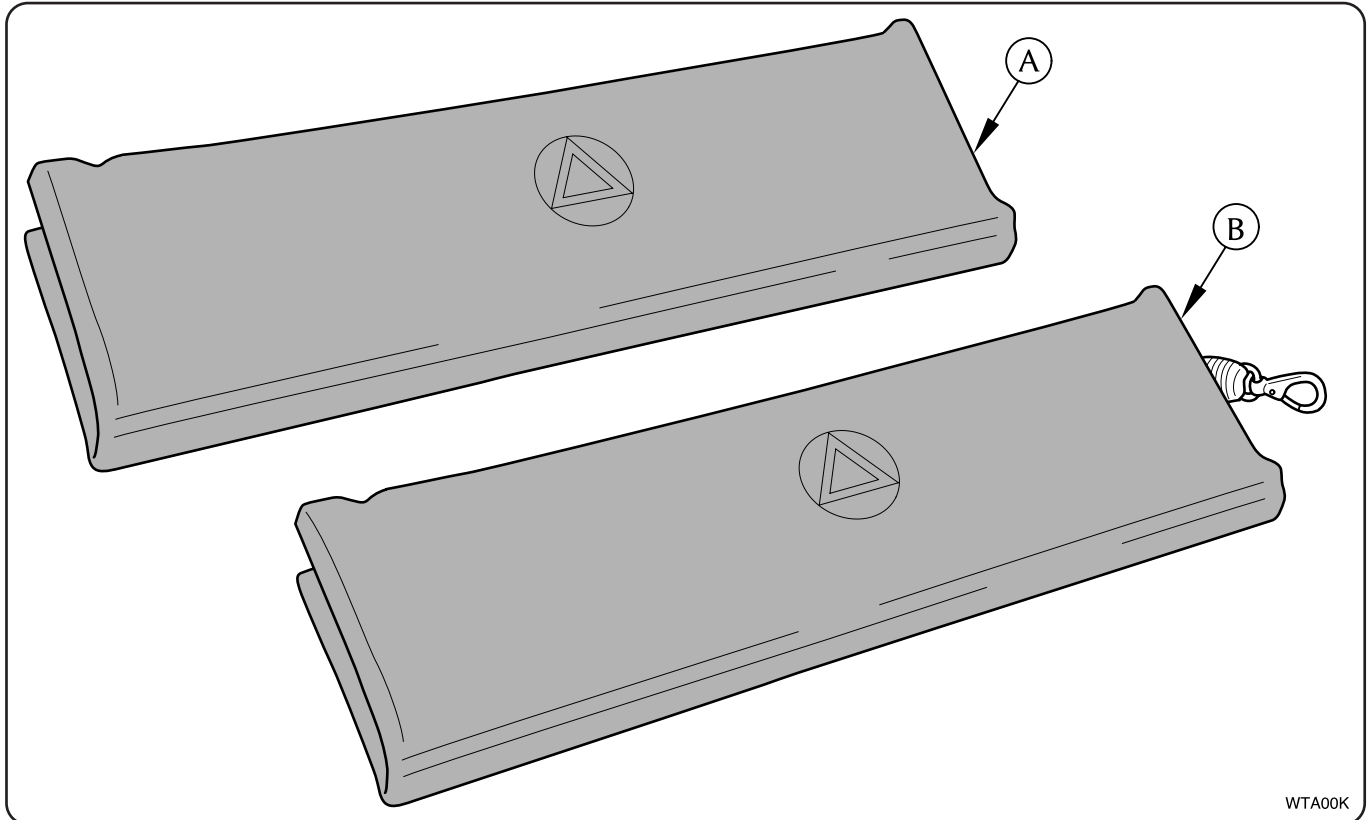


**All Models**

**Warning Triangle,**

**Notes:**

Packaged triangles are for North American and Mexican markets only.



**Content of kit**

- A. Warning triangle (XJ & XK Series)
- B. Warning triangle (S-TYPE & X-TYPE)

**All Models**

**Warning Triangle**

**Notes:**

- 1a. 'Velcro' secures triangles to suggested trunk storage positions (X) & XK Series)
- 1b. Triangle storage fastening (S-TYPE & X-TYPE)

