

# Handles, Locks, Latches and Entry Systems - Driver Door Latch

Removal and Installation

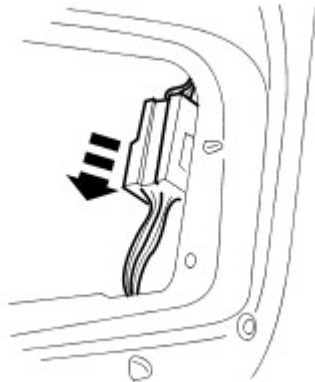
## Removal

1. Remove battery cover and disconnect ground cable from battery terminal. Refer to 86.15.19.
2. Remove driver door casing. Refer to 76.34.01.
3. Position water shedder for access and feed door harness through water shedder.



E36273

4. Carefully remove water shedder from door and place adhesive side down on a clean dry plastic sheet.
5. Release door lock actuator harness multiplug from mounting bracket and disconnect multiplug.



E36287

6. Position plastic inner sheet for access.
7. Disconnect outer door handle operating rod from lock mechanism.



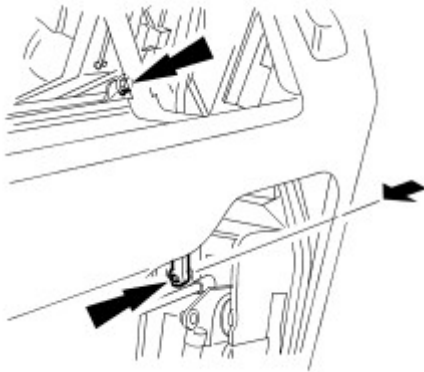
E36274

8. Disconnect inner door lock operating rod from lock mechanism and remove rod assembly.



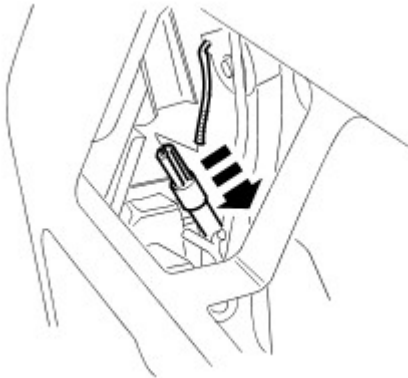
E36288

9. Slacken and remove the two security guard securing bolts and remove shield from door.



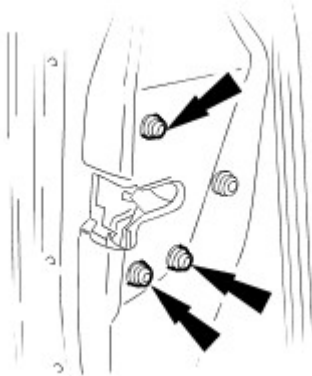
E36290

10. Withdraw locking sleeve to release door lock barrel link rod, and remove link rod.



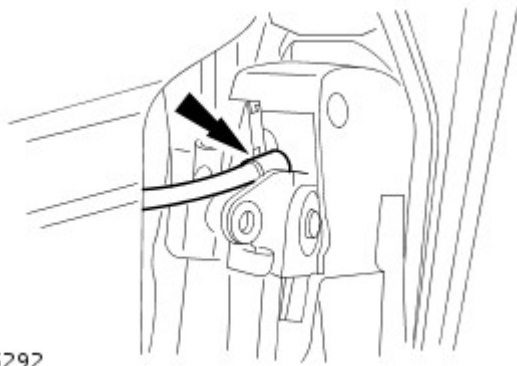
E36277

11. Slacken and remove the three lock securing bolts.



E36291

12. Remove remote control cable abutment securing clip, disconnect cable from lock assembly and remove lock from door.



E36292

## Installation

1. Position lock assembly in door, connect remote cable and fit and fully seat securing clip.
2. Align lock assembly in door and fit and tighten the three securing bolts.
3. Connect barrel to lock link rod and secure with locking sleeve.
4. Position security guard in door and fit but do not tighten lower securing bolt.
5. Fit and tighten outer handle/security guard upper securing bolt.
6. Finally tighten security guard lower securing bolt.
7. Position inner lock operating rod in door and connect rod to lock assembly.
8. Connect door outer handle operating rod to lock assembly.
9. Check for satisfactory door handle operation.
10. Reposition plastic inner sheet.
11. Connect lock actuator harness multiplug and fit multiplug to mounting bracket.
12. Connect ground cable to battery terminal. Refer to 86.15.15.
13. Check for satisfactory door locking operation.
14. Disconnect ground cable from battery terminal. Refer to 86.15.15.
15. Ensure that water shedder contact area of door is clean and dry.
16. Pass door harness through water shedder.
17. Fit and firmly seat water shedder on door ensuring satisfactory adhesion.
18. Fit door casing. Refer to 76.34.01
19. Connect ground cable to battery terminal and fit cover to battery. Refer to 86.15.15.