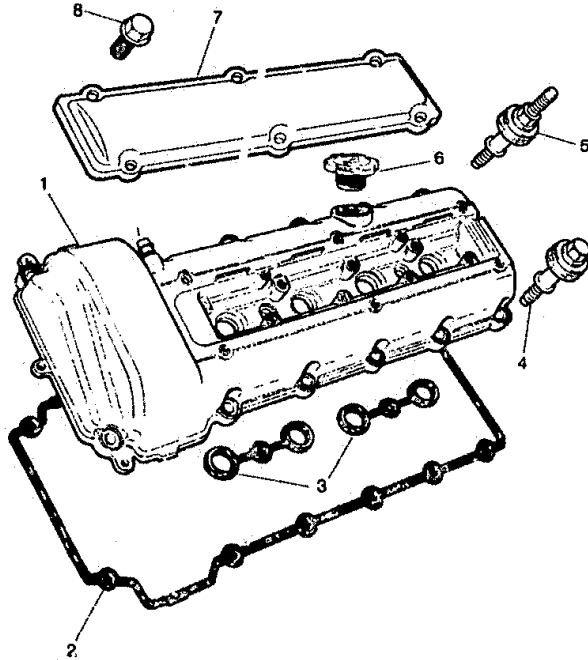


CAMSHAFT COVER AND GASKET-3.2 /4.0 LITRE-V8



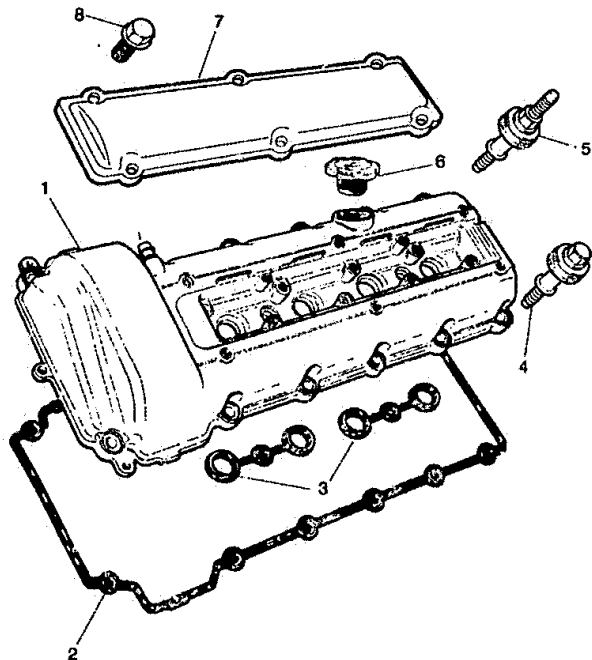
Qty	Part Number	Description	Quantity	Change Point	Remarks
1	AJB 1702	CAMSHAFT COVER-LH B-BANK	NLA	(1)	Use AJ82033. Variable valve timing
2	NCE 2516AB	• Camshaft cover gasket-LH B-bank	1		
3	NCE 2578AA NNE 2525AA	• Spark plug boss seal-camshaft cover • Valve seal-variable valve timing	4 1		
4	NCE 2565CA NCA 2575CA	• CAMSHAFT COVER FASTENER • Isolator-camshaft cover	9 1		
5	NCA 2565BC NCA 2575CA NCE 2565BA	• CAMSHAFT COVER FASTENER-STUD • Isolator-camshaft cover • Mounting spacer-camshaft cover	4 1 1		
6	NCA 2647BB	• Oil filler cap-red	1		
1	AJB 2033	CAMSHAFT COVER-LH B-BANK	1	(1)	Variable valve timing
2	NCE 2516AB	• Camshaft cover gasket-LH B-bank	1		
3	NCE 2578AA NNE 2525AB	• Spark plug boss seal-camshaft cover • Valve seal-variable valve timing	4 1		
4	NCE 2565CA NCA 2575CA	• CAMSHAFT COVER FASTENER • Isolator-camshaft cover	9 1		
5	NCA 2565BC NCA 2575CA NCE 2565BA	• CAMSHAFT COVER FASTENER-STUD • Isolator-camshaft cover • Mounting spacer-camshaft cover	4 1 1		
6	NCA 2647BB	• Oil filler cap-red	1		
1	AJB 1699	CAMSHAFT COVER-RH A-BANK	1	(1)	Variable valve timing
2	NCE 2515AB	• Camshaft cover gasket-RH A-bank	1		
3	NCE 2578AA NNE 2525AA	• Spark plug boss seal-camshaft cover • Valve seal-variable valve timing	4 1		
4	NCE 2565CA NCA 2575CA	• CAMSHAFT COVER FASTENER • Isolator-camshaft cover	10 1		
5	NCA 2565BC NCA 2575CA NCE 2565BA	• CAMSHAFT COVER FASTENER-STUD • Isolator-camshaft cover • Mounting spacer-camshaft cover	3 1 1		

TB6134A

CHANGE POINTS:

(1) From (E) 9810300000

CAMSHAFT COVER AND GASKET-3.2 /4.0 LITRE-V8



Qty	Part Number	Description	Quantity	Change Point	Remarks
1	AJB 1703	CAMSHAFT COVER-LH B-BANK.....	1	(1).....	Except variable valve timing
2	NCE 2516AB	• Camshaft cover gasket-LH B-bank.....	1		
3	NCE 2578AA	• Spark plug boss seal-camshaft cover.....	4		
4	NCE 2565CA	• CAMSHAFT COVER FASTENER.....	9		
	NCA 2575CA	• • Isolator-camshaft cover.....	1		
5	NCA 2565BC	• CAMSHAFT COVER FASTENER-STUD.....	4		
	NCA 2575CA	• • Isolator-camshaft cover.....	1		
	NCE 2565BA	• Mounting spacer-camshaft cover.....	1		
6	NCA 2647BB	• Oil filler cap-red.....	1		
1	AJB 1700	CAMSHAFT COVER-RH A-BANK.....	NLA	(1).....	Use AJ82553. Except variable valve timing
1	AJB 2553	CAMSHAFT COVER-RH A-BANK.....	1	(1).....	Except variable valve timing
2	NCE 2515AB	• Camshaft cover gasket-RH A-bank.....	1		
3	NCE 2578AA	• Spark plug boss seal-camshaft cover.....	4		
4	NCE 2565CA	• CAMSHAFT COVER FASTENER.....	10		
	NCA 2575CA	• • Isolator-camshaft cover.....	1		
5	NCA 2565BC	• CAMSHAFT COVER FASTENER-STUD.....	3		
	NCA 2575CA	• • Isolator-camshaft cover.....	1		
	NCE 2565BA	• Mounting spacer-camshaft cover.....	1		
2	NCA 2516AE	Camshaft cover gasket-LH B-bank.....	1] (2)	
2	NCA 2515AE	Camshaft cover gasket-RH A-bank.....	1		
3	NCA 2578BB	Spark plug boss seal-camshaft cover.....	4	(2)	

TB6134A

CHANGE POINTS:

(1) From (E) 9811120000

(2) To (E) 9810290000

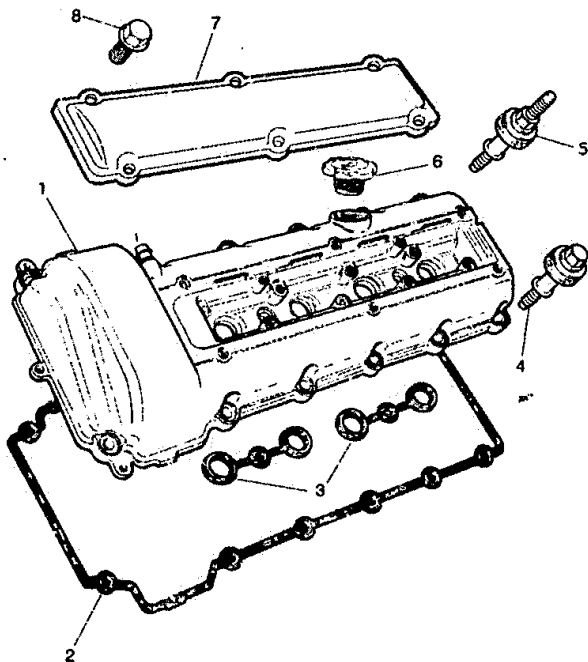
V8 XJ Series

E12
Fiche 1

ENGINE
CAMSHAFTS AND VALVE GEAR

CAMSHAFT COVER AND GASKET-3.2 /4.0 LITRE-V8

Illus.	Part Number	Description	Quantity	Change Point	Remarks
	4 NCA 2565AC	CAMSHAFT COVER FASTENER	22	(1)	
	4 NCE 2565CA	CAMSHAFT COVER FASTENER	20	(2)	
	5 NCA 2565BC	CAMSHAFT COVER FASTENER-STUD	6		
	NCA 2575CA	• Isolator-camshaft cover	1		
	NCE 2585BA	Mounting spacer-camshaft cover.....	2] (2)	
	NCE 2644AA	Camshaft cover bolt-rear -inner	2		
	6 NCA 2647BB	Oil filler cap-red.....	1		
	7 NCA 2570CA	On plug coil cover-cylinder head	2		
	8 JFS 10512C	Flange head screw-M5 x 12mm	12		
	NCB 2581AA	Badge-coil cover-LH B-bank-Jaguar.....	1	 4.0 Litre supercharged;Jaguar
	NCB 2580AA	Badge-coil cover-LH B-bank-Daimler	1	 4.0 Litre supercharged;Daimler
	LRA 1536BA	Solenoid valve-variable valve timing	2	(3).....] 4.0 Litre
	NNE 2525AA	Valve seal-variable valve timing	2	(4).....	
	NNE 2525AB	Valve seal-variable valve timing	2	(5).....	



TB6134A

CHANGE POINTS:

- (1) To (V) 832627
- (2) From (V) 832628
- (3) From (V) 853936
- (4) From (V) 853936 To (V) 864141
- (5) From (V) 864142