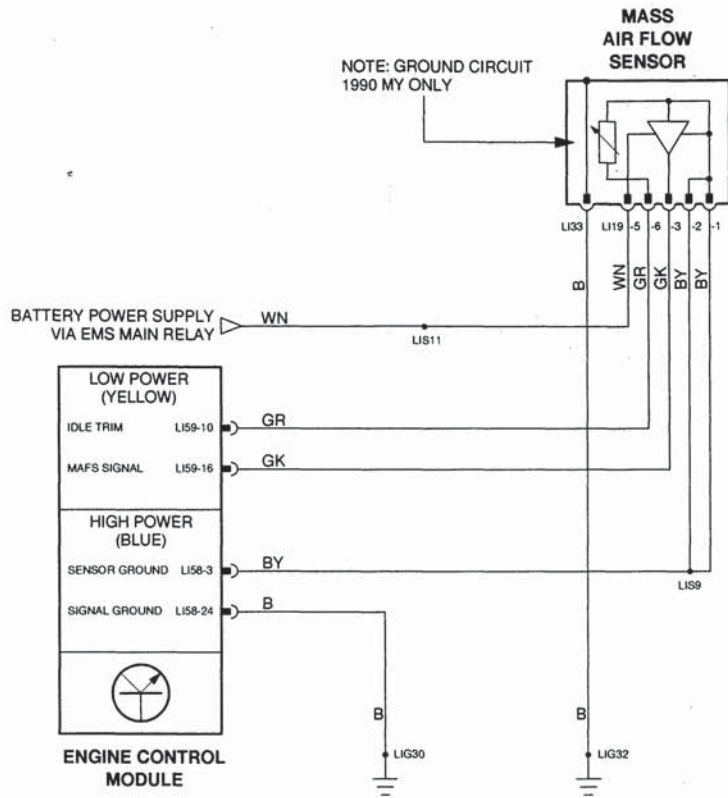
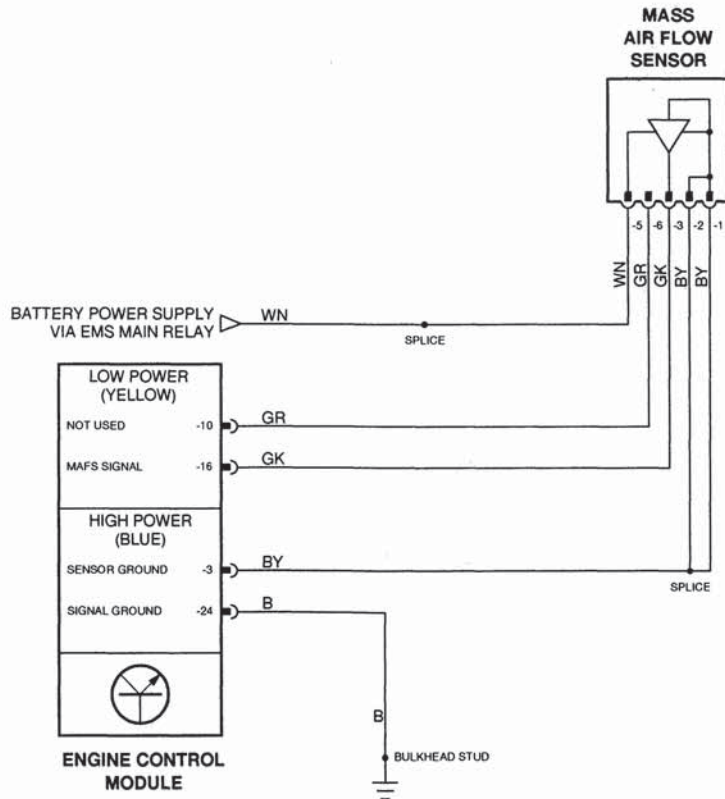


**MASS AIR FLOW SENSOR: 1990 - 92 XJ6 SEDAN RANGE**



DTC 12.1

**MASS AIR FLOW SENSOR: ALL VEHICLES 1993 - 94 MY**



NOTE: REFER TO THE WIRING DIAGRAMS IN THE REFERENCE SECTION OF THIS PUBLICATION FOR CONNECTOR AND SPLICE IDENTIFICATION.

DTC 12.2