 **WARNING: THIS PUBLICATION IS INTENDED FOR USE BY PROFESSIONAL TECHNICIANS WITH KNOWLEDGE OF JAGUAR VEHICLE SYSTEMS. ALL NECESSARY SAFETY PRECAUTIONS MUST BE TAKEN WHEN SERVICING OR HANDLING COMPONENTS AND SYSTEMS THAT HAVE THE POTENTIAL FOR CAUSING BODILY INJURY OR DEATH.**

Publication number S-65 / 90

© 1989 Jaguar Cars Inc.

All rights reserved. All material contained herein is based on the latest information available at the time of publication. The right is reserved to make changes at any time without notice.

DESCRIPTION	FIGURE
BATTERY POWER DISTRIBUTION	1
IGNITION SWITCHED POWER DISTRIBUTION	2
IGNITION SWITCHED GROUND DISTRIBUTION	3
LOGIC GROUND DISTRIBUTION	4
BATTERY; STARTER; ALTERNATOR	5
HEADLIGHTS; FOG LIGHTS	6
SIDE LIGHTS; TAIL LIGHTS	7
TURN SIGNALS; HAZARD WARNING LIGHTS; STOP LIGHTS	8
INTERIOR LIGHTING	9
INSTRUMENT LIGHTING; LOCATE LIGHTING; CLOCK	10
INSTRUMENTATION; NORMAL DISPLAY	11
INSTRUMENTATION; HAZARD AND FAULT DISPLAY	12
AUDIBLE WARNINGS	13
CENTRAL LOCKING	14
POWERED WINDOWS; SUN ROOF	15
HORNS; CIGAR LIGHTER(S)	16
POWERED SEATS	17
SEAT HEATERS	18
HEATERS: W/S WASHERS, H/L WASHERS, ENGINE BREATHER	19
HEATERS: REAR WINDOW, DOOR MIRRORS	20
POWERED DOOR MIRRORS	21
WINDSHIELD WIPER; WINDSHIELD AND HEADLIGHT WASHERS	22
ANTI-LOCK BRAKING	23
RIDE LEVELING	24
SPEED CONTROL	25
RADIO	26
CLIMATE CONTROL	27
COMPRESSOR CLUTCH; COOLING FAN	28
PASSIVE RESTRAINT	29
ENGINE MANAGEMENT	30
TRANSMISSION CONTROL	31

FIG 4 — LOGIC GROUND DISTRIBUTION
DATA PAGE ADDITION

GROUNDS

CODE	DESCRIPTION	LOCATION / INTERFACE
LBG78	EYLET	BULKHEAD, BEHIND RIGHT BLOWER AIR DUCT / CENTRAL LOGIC GROUND

FIG 5 — BATTERY; STARTER; ALTERNATOR
WIRING DIAGRAM CORRECTION

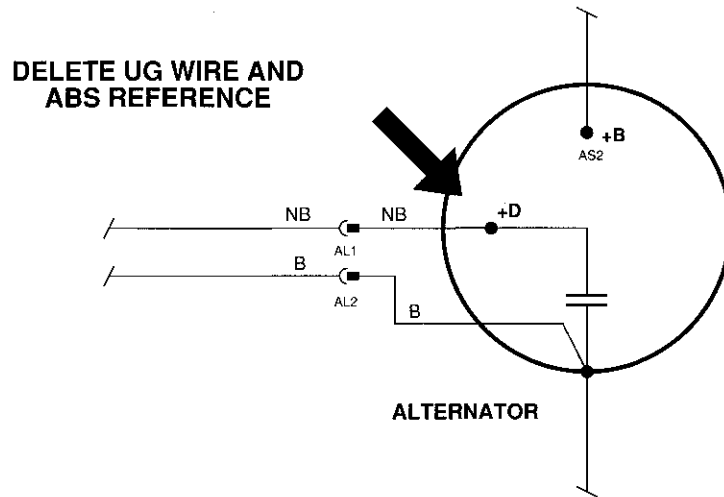


FIG 8 — TURN SIGNALS; HAZARD WARNING LIGHTS; STOP LIGHTS
WIRING DIAGRAM CORRECTION

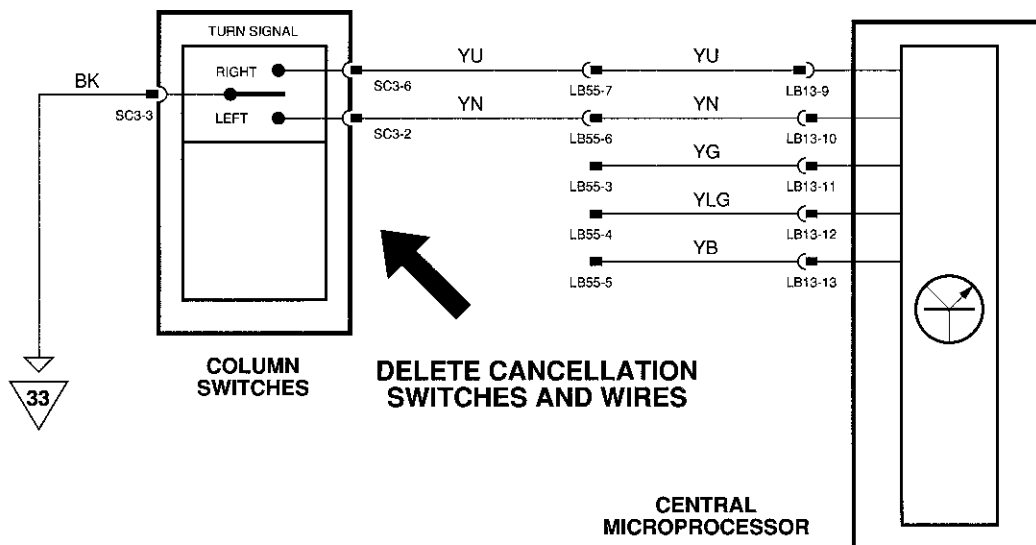


FIG 10 — INSTRUMENT LIGHTING; LOCATE LIGHTING; CLOCK
WIRE COLOR CODE CORRECTION

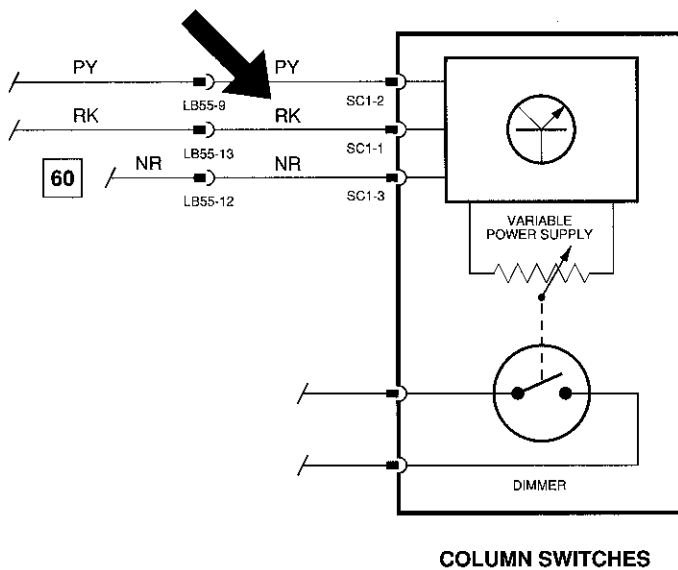


FIG 12 — INSTRUMENTATION: HAZARD AND FAULT DISPLAY
CIRCUIT NOTATION CORRECTION

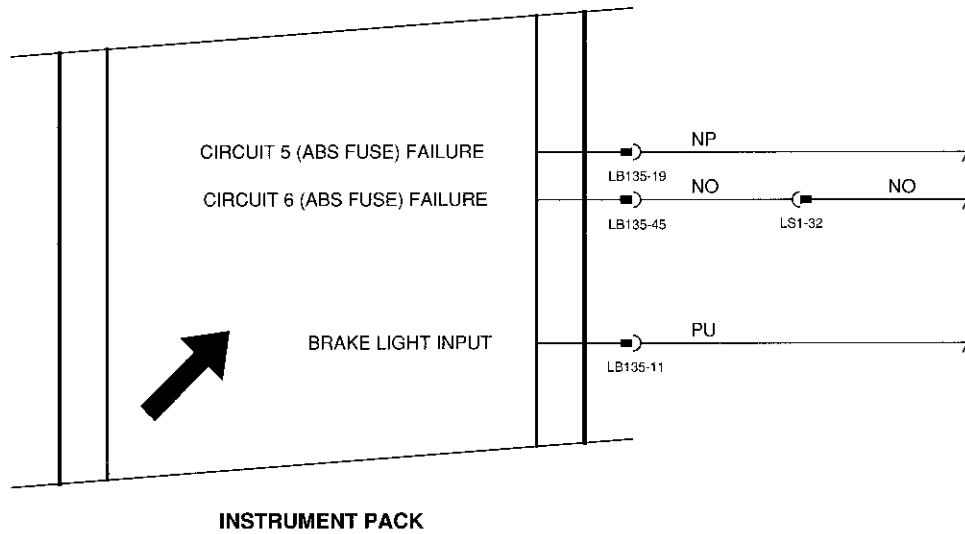
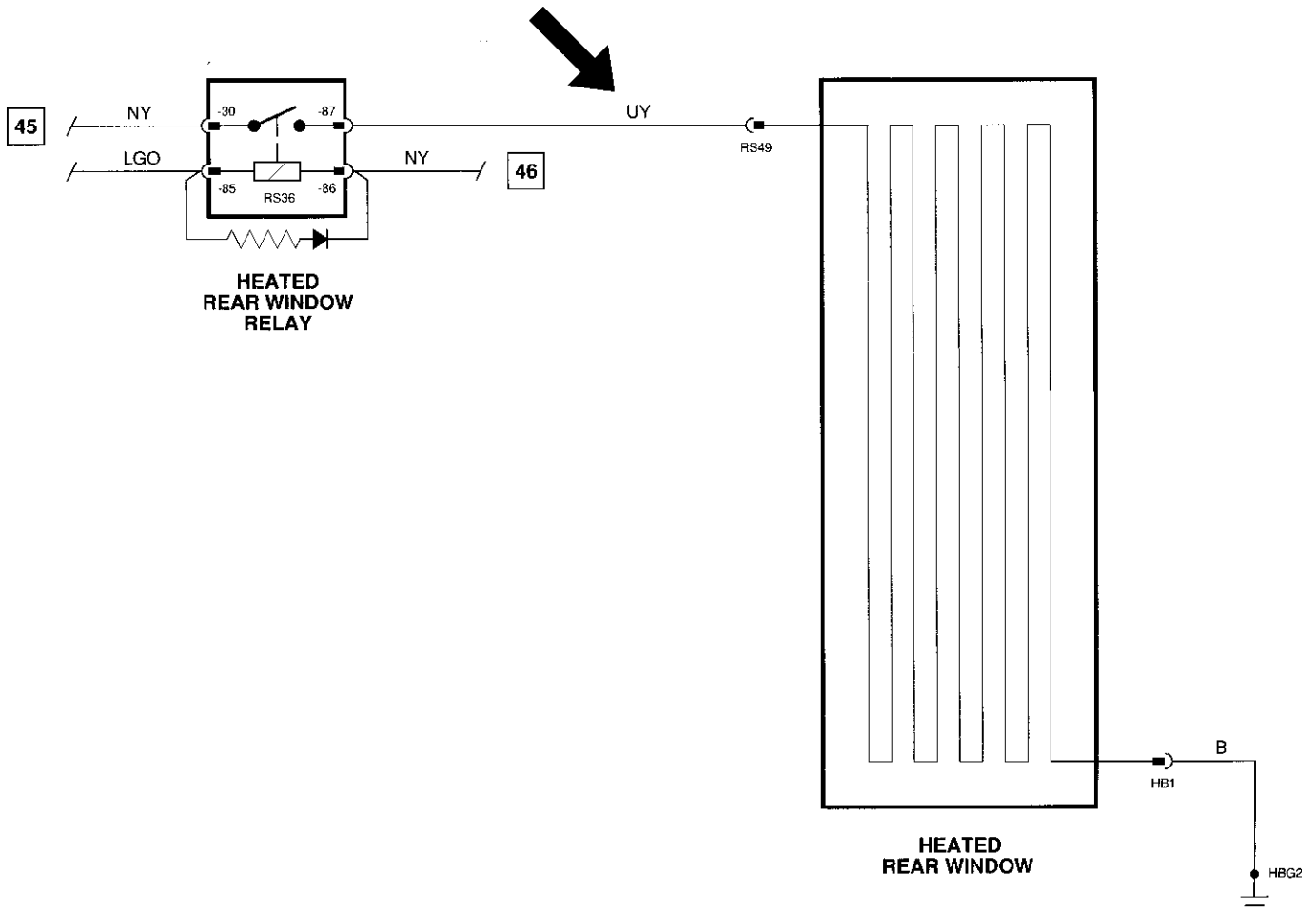
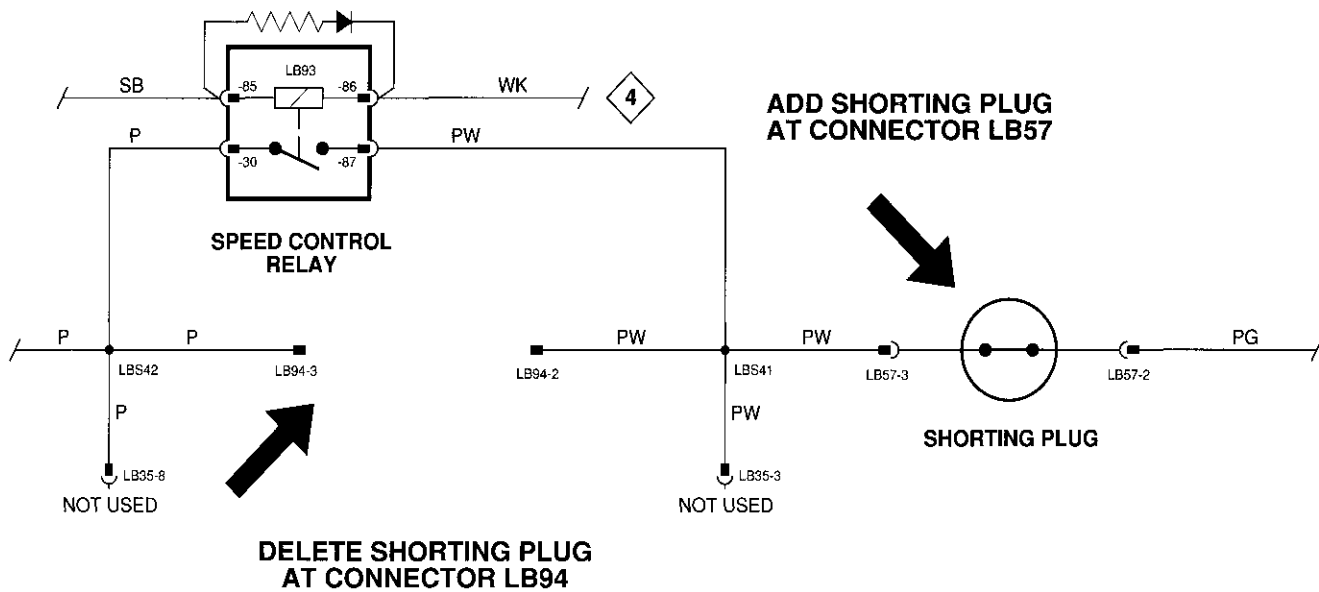


FIG 20 — HEATERS: REAR WINDOW, DOOR MIRRORS
WIRE COLOR CODE CORRECTION

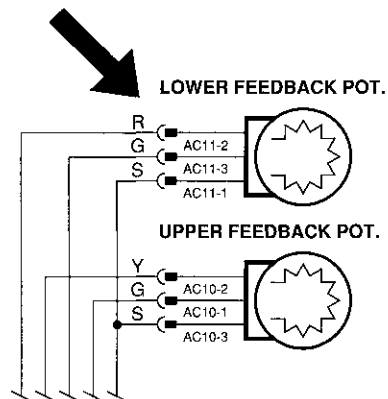


**FIG 25 — SPEED CONTROL (CRUISE CONTROL)
WIRING DIAGRAM CORRECTION**



**FIG 27 — CLIMATE CONTROL
WIRING DIAGRAM CORRECTION**

**PIN IDENTIFICATION
CORRECTION**



**FIG 30 — ENGINE MANAGEMENT
DATA PAGE CORRECTION**

INPUTS / OUTPUTS

ENGINE MANAGEMENT ECU

CODE	IN / OUT	CIRCUIT	ACTIVE	INACTIVE
LI58-1	OUT	IGNITION DRIVE	PULSED SIGNAL APPROX. 0-.6 V AT IDLE	0 V
LI59-3	IN	TRANS. DECODER (IDLE FUEL)	"P", "N" GROUND	"R", "D", "3", "2": 5V

**FIG 31 — TRANSMISSION CONTROL
DATA PAGE ADDITION / CORRECTION**

CONNECTORS

CODE	DESCRIPTION	LOCATION / INTERFACE
GB7	8-WAY ZF CONNECTOR	TRANSMISSION CASE / TRANSMISSION COMPONENTS

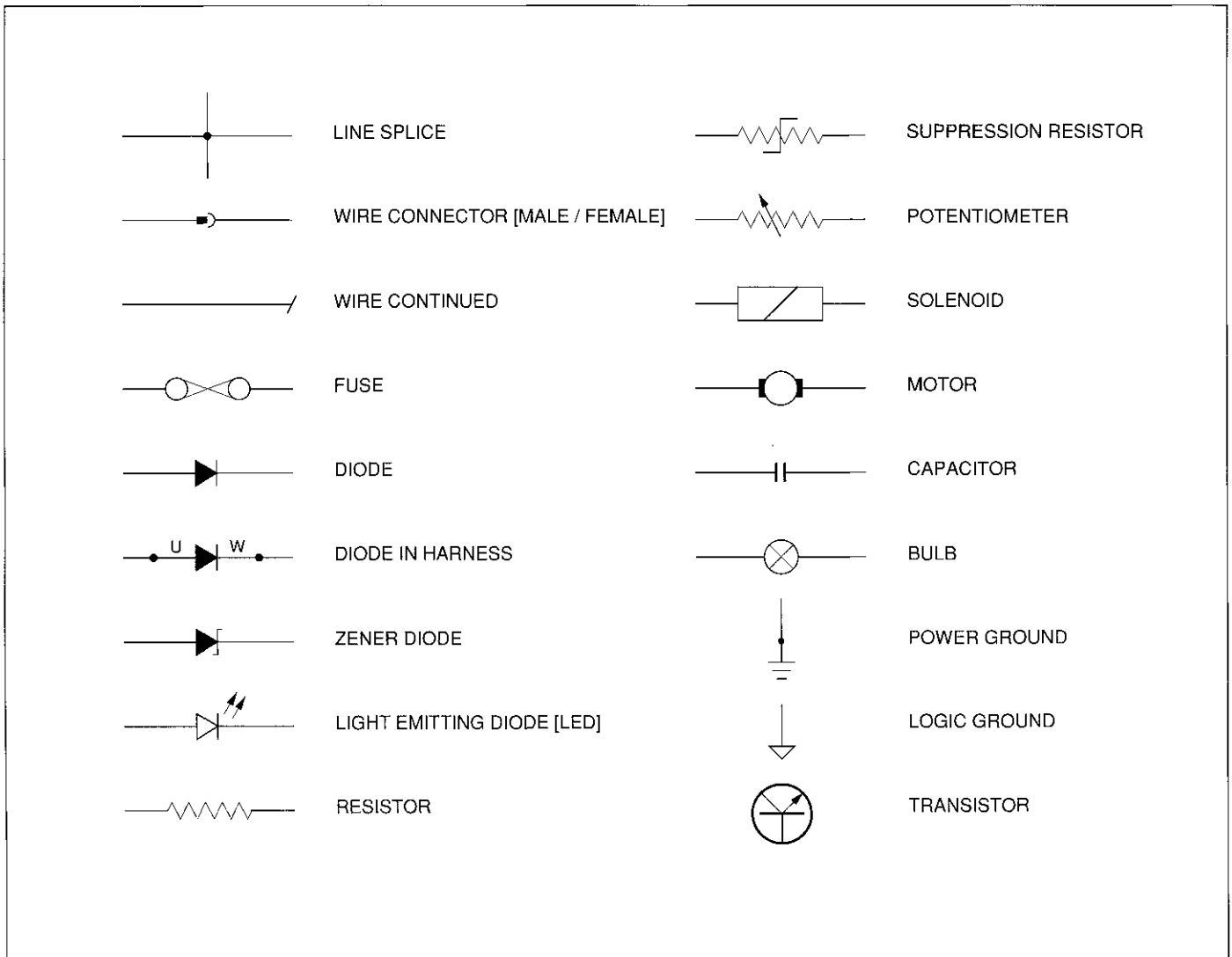
INPUTS / OUTPUTS

TRANSMISSION ECU

CODE	IN / OUT	CIRCUIT	ACTIVE	INACTIVE
GB5-5	OUT	SOLENOID VALVE (FORWARD DRIVE)	GROUND	OPEN CIRCUIT

Note: Connector pin GB5-4 corrected to GB5-5

WIRING SYMBOLS



WIRING COLOR CODES

N	Brown	Y	Yellow
B	Black	O	Orange
W	White	S	Slate
K	Pink	L	Light
G	Green	U	Blue
R	Red	P	Purple

When a wire has two or more color code letters, the first letter indicates the main color and the subsequent letter(s) indicate the tracer color(s).

WIRING HARNESS CODES

CODE	DESCRIPTION	CODE	DESCRIPTION
AC	Air conditioning (climate control unit)	LB	Bulkhead harness (left hand drive)
AS	Alternator to starter	LI	Lucas injection harness
BH	Bonnet hood (under hood lights)	LS	Left side harness
CB	Cubby box (glove box)	PD	Passenger's door (main harness)
CH	Cushion heater	PS	Passenger side (link harness)
DD	Driver's door (main harness)	RA	Right rear axle
DS	Driver's side	RD	Rear door harness (R-right, L-left)
FA	Front axle (R-right, L-left)	RF	Rear fender (R-right, L-left)
FB	Fuse box (panel)	RS	Right side harness
FF	Front fender (R-right, L-left)	SB	Seat belt
FP	Fuel pump	SC	Steering column
HB	Heated backlight (rear window)	SM	Seat motor
HM	High mount stop lights	SQ	Squab heater (seat back)
HS	Heated seats	SR	Sun roof
IL	Interior lights	SS	Seat switches
LA	Left rear axle		

CONNECTOR CODES

HARNESS CODE + CONNECTOR NUMBER + PIN NUMBER

EXAMPLE: LB13-24 (pin number is separated by a dash)

Note: Absence of a dash and a pin number indicates a single wire connector.

SPLICE CODES

HARNESS CODE + S + IDENTIFICATION NUMBER

EXAMPLE: LBS3 (no dash is used)

GROUND CODES

HARNESS CODE + G + IDENTIFICATION NUMBER

EXAMPLE: LBG78 (no dash is used)

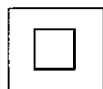
DIODE CODES

HARNESS CODE + D + IDENTIFICATION NUMBER

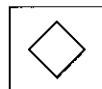
EXAMPLE: LBD5 (no dash is used)

REFERENCE SYMBOLS

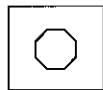
The four reference symbols are used to indicate the remainder of the circuit (feed and ground) and refer the reader to one of the four figures.



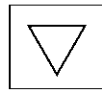
DIRECT BATTERY POWER (FIG 1)



IGNITION SWITCHED POWER (FIG 2)

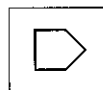


IGNITION SWITCHED GROUND (FIG 3)



LOGIC GROUND (FIG 4)

REFERENCE FLAGS



REFERENCE FLAG

This reference code directs the reader to a figure number only. It does not refer to a flag with the same number on a different figure.

As used in figure 1,2, and 3, the FLAG refers to a figure number where the circuit is continued. In this instance, the reader matches the BOX, DIAMOND, or OCTAGON numbers to trace the circuit.

In most other cases, it is not necessary to refer to another figure for completion of a circuit. The FLAGS are used to indicate parallel circuits and circuits which share components. Most of the circuits where this situation occurs are overlapped to avoid the necessity for cross referencing to another figure. Exceptions to this rule are the INSTRUMENTATION: NORMAL DISPLAY and the INSTRUMENTATION: HAZARD AND FAULT DISPLAY.

DATA PAGES

Every wiring diagram has a corresponding data page on the left hand side of the book. These aid the reader in identifying and locating components, connectors, and ground points. Additionally, where applicable, processor and logic unit INPUT / OUTPUT information is provided to aid the reader in understanding circuit operation. This information should not be used for diagnostic purposes.

COMPONENTS

DESCRIPTION	LOCATION	ACCESS
FACIA SWITCH PACK	ABOVE STEERING COLUMN	DASH UNDER PANEL, LEFT
FLASH SWITCH	LEFT STEERING COLUMN STALK	STEERING COLUMN COVER

CONNECTORS

CODE	DESCRIPTION	LOCATION / INTERFACE
FF1	3-WAY BULB CONNECTOR	BEHIND HEADLIGHTS / HEADLIGHT OUTER BEAM
FF2	3-WAY BULB CONNECTOR	BEHIND HEADLIGHTS / HEADLIGHT INNER BEAM

GROUNDS

CODE	DESCRIPTION	LOCATION / INTERFACE
FFG3	EYELET	LEFT AND RIGHT FRONT CORNER / POWER GROUND
LSG37	EYELET	ENGINE COMPARTMENT, LF / POWER GROUND

INPUTS/OUTPUTS

LIGHTING LOGIC UNIT			ACTIVE	INACTIVE
CODE	IN / OUT	CIRCUIT	GROUND	12V
LB49-3	OUT	REAR FOG LIGHTS	GROUND	12V
LB49-4	OUT	FRONT FOG LIGHTS	GROUND	12V

COMPONENTS

DESCRIPTION	LOCATION	ACCESS
BATTERY	FRONT BULKHEAD, RIGHT	ENGINE COMPARTMENT
FUSE PANEL—AUXILIARY	TRUNK, LEFT SIDE (WHEN FITTED)	TRUNK TRIM PANEL
FUSE PANEL—LEFT	DRIVER FOOTWELL	'A' POST TRIM PANEL
FUSE PANEL—RIGHT	PASSENGER FOOTWELL	'A' POST TRIM PANEL

CONNECTORS

CODE	DESCRIPTION	LOCATION / INTERFACE
FL1	EYELET	LEFT BULKHEAD, BEHIND DASH / BATTERY POSITIVE STUD
FR1	EYELET	RIGHT BULKHEAD, BEHIND DASH / BATTERY POSITIVE STUD
LB71	EYELET	RIGHT BULKHEAD, BEHIND DASH / BATTERY POSITIVE STUD
LB82	EYELET	RIGHT BULKHEAD, BEHIND DASH / BATTERY POSITIVE STUD
LB128	9-WAY TTS (WHITE)	PASSENGER FOOTWELL / LEFT FUSE PANEL
LB129	5-WAY TTS (NATURAL)	PASSENGER FOOTWELL / LEFT FUSE PANEL
LB130	9-WAY TTS (WHITE)	DRIVER FOOTWELL / LEFT FUSE PANEL
LB131	5-WAY TTS (NATURAL)	DRIVER FOOTWELL / LEFT FUSE PANEL
LI29	EYELET	ENGINE COMPARTMENT BULKHEAD, RIGHT / BATTERY POSITIVE STUD
LS65	3-WAY PM4 (YELLOW)	TRUNK, LEFT, TRIM PANEL / AUXILIARY FUSE PANEL
LS72	9-WAY TTS (BLACK)	DRIVER FOOTWELL / LEFT FUSE PANEL
LS73	5-WAY TTS (BLACK)	DRIVER FOOTWELL / LEFT FUSE PANEL
LS127	IN-LINE FUSE HOLDER (BLACK)	DRIVER FOOTWELL / LEFT FUSE PANEL
LS129	IN-LINE FUSE HOLDER (BLACK)	DRIVER FOOTWELL / LEFT FUSE PANEL
RS24	24-WAY PMHD (YELLOW)	RIGHT 'A' POST, UNDER DASH PANEL / LB HARNESS
RS105	9-WAY TTS (BLACK)	PASSENGER FOOTWELL / RIGHT FUSE PANEL
RS106	5-WAY TTS (BLACK)	PASSENGER FOOTWELL / RIGHT FUSE PANEL

 BATTERY POWER

FIG 1

 IGNITION POWER

FIG 2

 IGNITION SWITCHED GROUND

FIG 3

 LOGIC GROUND

FIG 4

 FIG NUMBER REFERENCE

COMPONENTS

DESCRIPTION

DIODE (LSD3)
 DIODE (RSD1)
 FUSE PANEL—AUXILIARY
 FUSE PANEL—CENTER
 RELAY—AUXILIARY FUSE PANEL (LS66)
 RELAY—IGNITION ON (LB17)

LOCATION

LEFT FRONT INNER FENDER, FORWARD
 BELOW RIGHT FRONT CRUCH TUBE
 TRUNK, LEFT SIDE (WHEN FITTED)
 CENTER CONSOLE GLOVE BOX
 TRUNK, LEFT, FRONT
 COMPONENT PANEL

ACCESS

ENGINE COMPARTMENT, LEFT
 ENGINE COMPARTMENT BELOW, RIGHT
 TRUNK TRIM PANEL
 CENTER CONSOLE GLOVE BOX
 TRIM PANEL
 RIGHT DASH UNDER PANEL

CONNECTORS

CODE

DESCRIPTION

LB17 RELAY BASE (BLUE)
 LB28 6-WAY PM4 (YELLOW)
 LB81 3-WAY PM4 (BLACK)
 LB148 9-WAY TTS (WHITE)
 LB149 5-WAY TTS (NATURAL)
 LS2 15-WAY PMHD (YELLOW)
 LS3 9-WAY PM4 (BLACK)
 LS65 3-WAY PM4 (YELLOW)
 LS66 RELAY BASE (WHITE)
 RS24 24-WAY PMHD (YELLOW)
 RS87 6-WAY PM4 (BLACK)

LOCATION / INTERFACE

RIGHT DASH UNDER PANEL / IGNITION ON RELAY
 RIGHT DASH UNDER PANEL / LI HARNESS
 CENTER CONSOLE / CENTER FUSE PANEL
 CENTER CONSOLE / CENTER FUSE PANEL
 CENTER CONSOLE / CENTER FUSE PANEL
 LEFT 'A' POST, UNDER DASH PANEL / LB HARNESS
 LEFT 'A' POST, UNDER DASH PANEL / LB HARNESS
 TRUNK, LEFT, TRIM PANEL / AUXILIARY FUSE PANEL
 TRUNK, LEFT FRONT, TRIM PANEL / AUXILIARY FUSE PANEL RELAY
 RIGHT 'A' POST, UNDER DASH PANEL / LB HARNESS
 RIGHT DASH UNDER PANEL, 'A' POST, HIGH / LB HARNESS

GROUNDS

CODE

DESCRIPTION

LSG39

EYELET

LOCATION / INTERFACE

BEHIND TRUNK TRIM PANEL / POWER GROUND



FIG 1



FIG 2



FIG 3

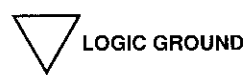


FIG 4



FIG NUMBER REFERENCE

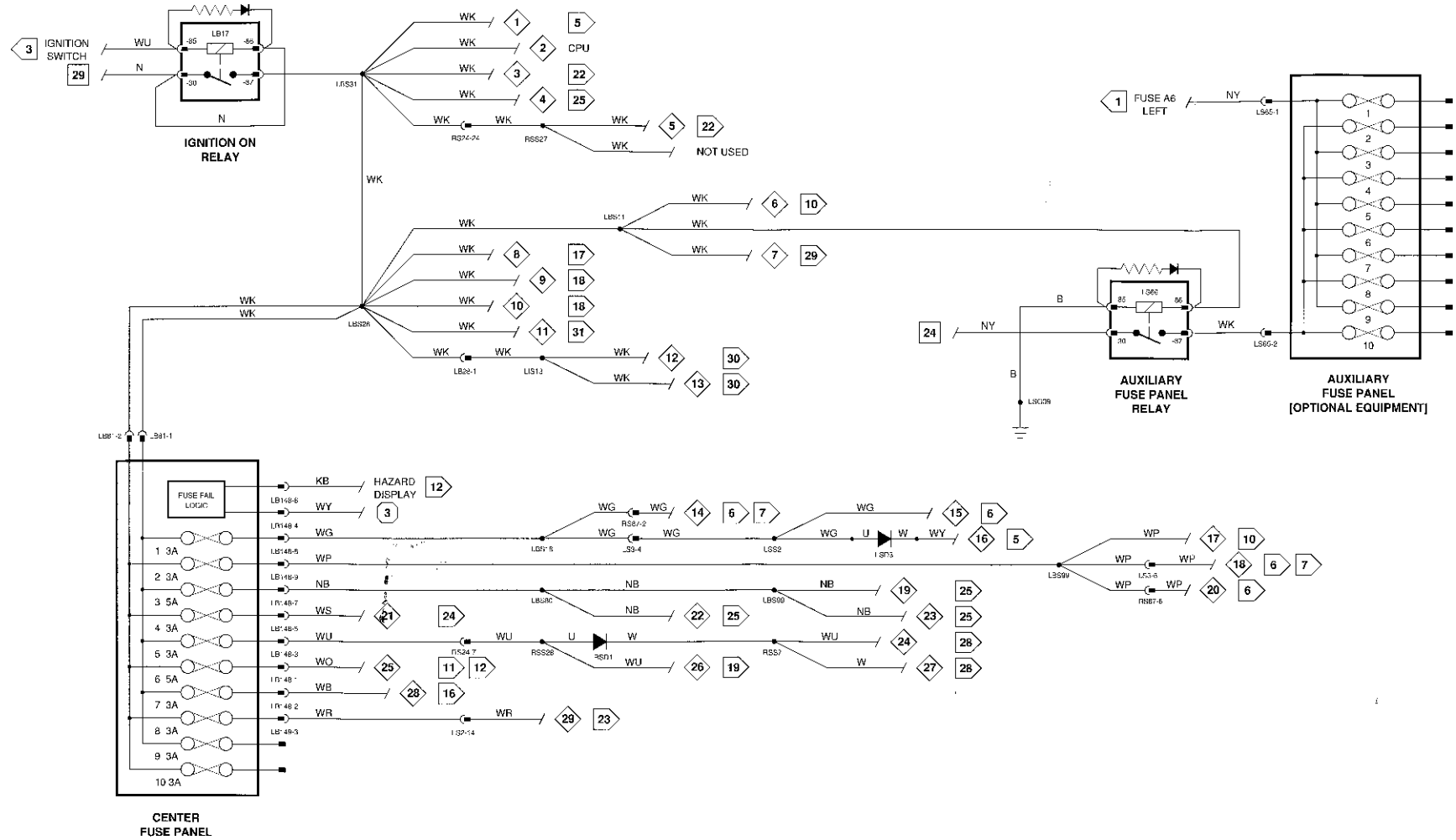


FIG 3

IGNITION SWITCHED GROUND DISTRIBUTION

COMPONENTS

DESCRIPTION

DIODE—LB05
RELAY—IGNITION ON (LB17)
SWITCH—IGNITION
SWITCH—INERTIA
TRANSIT ISOLATION DEVICE

LOCATION

DRIVER FOOTWELL, LEFT 'A' POST
COMPONENT PANEL
STEERING COLUMN
DRIVER FOOTWELL
FRONT BULKHEAD, RIGHT

ACCESS

LEFT DASH UNDER PANEL
RIGHT DASH UNDER PANEL
STEERING COLUMN COVER
'A' POST TRIM PANEL
ENGINE COMPARTMENT

CONNECTORS

CODE

LB17
LB55
LB64
RS24
RS111
SC5

DESCRIPTION

RELAY BASE (BLUE)
24-WAY PMHD (BLACK)
3-WAY TTS SOCKET (GREY)
24-WAY PMHD (YELLOW)
.250 BLADE
6-WAY PMHD (GREEN)

LOCATION / INTERFACE

RIGHT DASH UNDER PANEL / IGNITION ON RELAY
LEFT DASH UNDER PANEL / COLUMN SWITCHES
DRIVER FOOTWELL, 'A' POST / INERTIA SWITCH
RIGHT 'A' POST, UNDER DASH PANEL / LB HARNESS
ENGINE COMPARTMENT, RIGHT REAR
STEERING COLUMN COVER / IGNITION SWITCH

GROUNDS

CODE

LBG75

DESCRIPTION

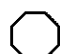
EYELET

LOCATION / INTERFACE

BULKHEAD, BEHIND LEFT BLOWER AIR DUCT / POWER GROUND

 BATTERY POWER
FIG 1

 IGNITION POWER
FIG 2

 IGNITION SWITCHED GROUND
FIG 3


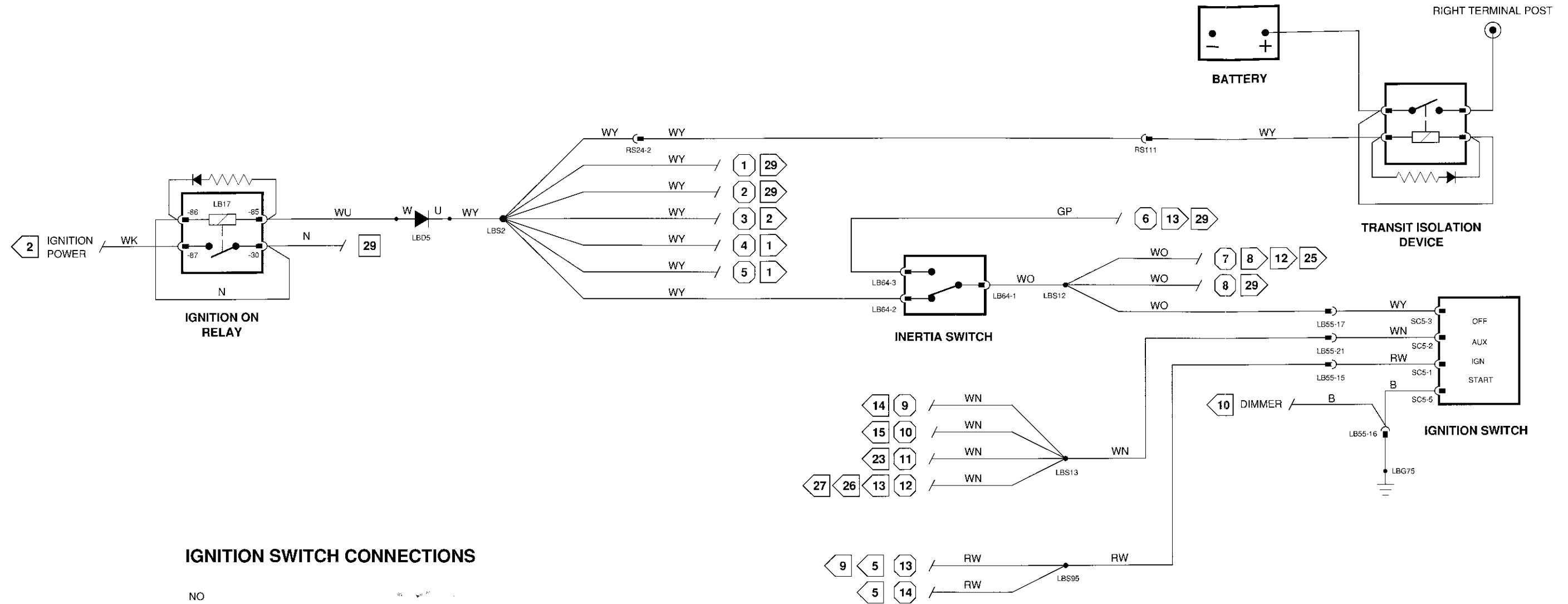
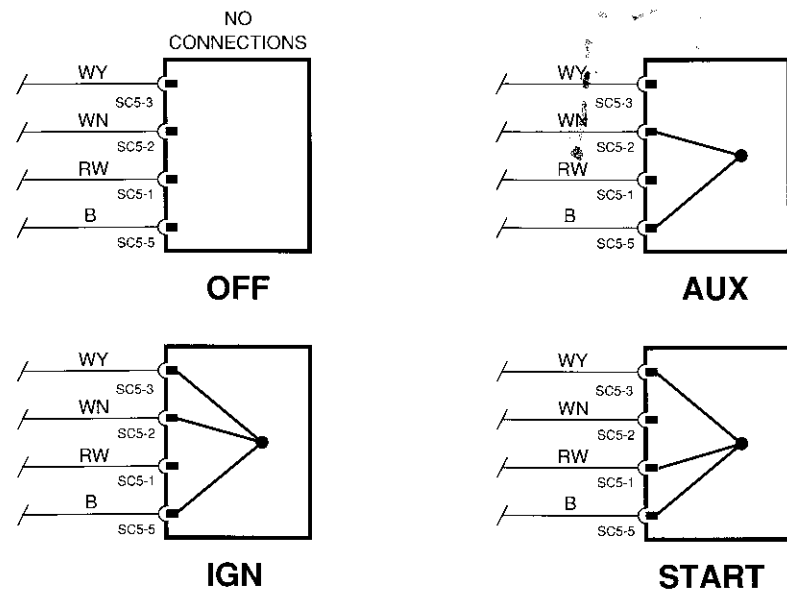
 LOGIC GROUND
FIG 4

 FIG NUMBER REFERENCE



IGNITION SWITCH CONNECTIONS



CONNECTORS

CODE	DESCRIPTION	LOCATION / INTERFACE
DD6	6-WAY PM4 (YELLOW)	DOOR, INNER / LOCK MOTOR
DD9	6-WAY PM4 (BLACK)	DOOR, INNER / DOOR LATCH SWITCH
DD15	3-WAY ECONOSEAL (BLACK)	DRIVERS DOOR / KEY BARREL SWITCH
GB1	24-WAY PMHD (YELLOW)	CENTER CONSOLE SKI SLOPE PANEL / ROTARY SWITCH
GB2	15-WAY PMHD (BLACK)	CENTER CONSOLE SKI SLOPE PANEL / GEARBOX ILLUMINATION MODULE
GB3	6-WAY AMP (WHITE)	CENTER CONSOLE SKI SLOPE PANEL / SPORT SWITCH
GB6	26-WAY AMP (BLUE)	PASSENGER FOOTWELL / GEARBOX DECODER
IL4	.250 BLADE	FRONT SEAT HEADREST / READING LAMP
IL7	5-WAY PIN CONNECTOR (BLACK)	UNDER FRONT PASSENGER SEAT CUSHION / SEAT BACK IL HARNESS
IL8	5-WAY PIN CONNECTOR (BLACK)	UNDER FRONT DRIVER SEAT CUSHION / SEAT BACK IL HARNESS
LB7	6-WAY PM4 (BLACK)	INSIDE RIGHT 'A' POST / PD HARNESS
LB13	36-WAY PMHD (BLACK)	RIGHT DASH UNDER PANEL / CPU
LB18	RELAY BASE (GREEN)	RIGHT DASH UNDER PANEL / AUXILIARY SIDE LIGHT PANEL
LB21	8-WAY AMP (WHITE)	RIGHT DASH UNDER PANEL / SPEED CONTROL ECM
LB31	2-WAY PMHD (YELLOW)	CONSOLE LEFT CARPET / PARK BRAKE SWITCH
LB35	15-WAY PMHD (GREEN)	CENTER CONSOLE / LINEAR GEAR SWITCH
LB38	4-WAY ECONOSEAL (WHITE)	CENTER CONSOLE / FRONT CIGAR LIGHTER
LB39	6-WAY PMHD (BLACK)	CENTER CONSOLE / PASSENGER SEAT HEATER SWITCH
LB43	4-WAY ECONOSEAL (WHITE)	CENTER CONSOLE / REAR CIGAR LIGHTER
LB48	6-WAY PMHD (BLACK)	CENTER CONSOLE SKI SLOPE PANEL / DRIVER SEAT HEATER SWITCH
LB49	24-WAY PMHD (GREEN)	LEFT DASH UNDER PANEL / FACIA SWITCH PACK
LB55	24-WAY PMHD (BLACK)	LEFT DASH UNDER PANEL / COLUMN SWITCHES
LB58	15-WAY PMHD (BLACK)	RIGHT DASH UNDER PANEL / AUDIBLE WARNING MODULE
LB62	6-WAY PM4 (BLACK)	INSIDE LEFT 'A' POST / DD HARNESS
LB66	15-WAY PMHD (BLACK)	CENTER CONSOLE, AC CONTROL PANEL / AC HARNESS
LB85	6-WAY PM4 (BLACK)	LEFT 'B/C' POST LOWER TRIM / LEFT PASSIVE RESTRAINT MOTOR
LB87	8-WAY PM4 (BLACK)	LEFT UNDER DASH PANEL / PASSIVE RESTRAINT MODULE
LB91	6-WAY PM4 (BLACK)	RIGHT 'B/C' POST LOWER TRIM / RIGHT PASSIVE RESTRAINT MOTOR
LB105	4-WAY PMHD (BLACK)	RIGHT 'B/C' POST LOWER TRIM / RIGHT PASSIVE RESTRAINT SWITCHES
LB106	4-WAY PMHD (BLACK)	LEFT 'B/C' POST LOWER TRIM / LEFT PASSIVE RESTRAINT SWITCHES
LB119	5-WAY PIN CONNECTOR (BLACK)	CARPET UNDER DRIVER SEAT / DRIVER SIDE IL HARNESS
LB120	5-WAY PIN CONNECTOR (BLACK)	CARPET UNDER PASSENGER SEAT / PASSENGER SIDE IL HARNESS
LB132	24-WAY PMHD (BROWN)	STEERING COLUMN / TRIP COMPUTER PANEL
LB134	24-WAY GROTE (BLACK)	INSTRUMENT PACK / LEFT SIDE
LB135	48-WAY GROTE (BLACK)	INSTRUMENT PACK / RIGHT SIDE
LB145	6-WAY PM4 (BROWN)	DRIVER FOOTWELL / SERIAL PORT
LB153	24-WAY PMHD (BLACK)	LEFT DASH UNDERPANEL / PASSIVE RESTRAINT MODULE
LS3	9-WAY PM4 (BLACK)	LEFT 'A' POST, UNDER DASH PANEL / LB HARNESS
LS7	3-WAY ECONOSEAL (BLACK)	LEFT 'B/C' POST LINER / RD HARNESS
LS17	15-WAY PMHD (BLACK)	TRUNK TRIM PANEL, LEFT REAR / BULB FAIL MODULE
LS22	3-WAY PM4 (YELLOW)	ENGINE COMPARTMENT / BRAKE FLUID SENSOR
LS24	3-WAY PM4 (BLACK)	ENGINE COMPARTMENT / COOLANT LEVEL SENSOR
LS29	9-WAY PM4 (BLACK)	ENGINE COMPARTMENT, LEFT FRONT / BULB FAIL MODULE
PD2	6-WAY PM4 (BLACK)	DOOR, INNER / DOOR LATCH SWITCH
PD5	6-WAY PM4 (YELLOW)	DOOR, INNER / LOCK MOTOR
PD18	3-WAY ECONOSEAL (BLACK)	PASSENGER DOOR / KEY BARREL SWITCH
RD2	6-WAY PM4 (BLUE)	DOOR, INNER / DOOR LATCH SWITCH
RS2	RELAY BASE (GREEN)	RIGHT RADIATOR SUPPORT / A/CCLUTCH RELAY
RS11	2-WAY PM4 (GREEN)	BEHIND FRONT VALANCE, RS / WASHER FLUID LEVEL SENSOR
RS16	9-WAY PM4 (BLACK)	ENGINE COMPARTMENT, RF / BULB FAIL MODULE
RS30	3-WAY ECONOSEAL (BLACK)	RIGHT 'B/C' POST LOWER TRIM / RD HARNESS
RS34	.250 BLADE RECEPTACLE	TRUNK BULKHEAD TRIM / FUEL TANK SENDER
RS50	15-WAY PMHD (BLACK)	BEHIND TRUNK TRIM PANEL, RIGHT / BULB FAIL MODULE
RS88	RELAY BASE (BLUE)	PASSENGER FOOTWELL / RS HARNESS
RS109	2-WAY ITT (BLACK)	TRUNK LID / RELEASE MOTOR
SC2	6-WAY PMHD (YELLOW)	STEERING COLUMN COVER / WASH-WIPE SWITCH
SC3	6-WAY PMHD (BLUE)	STEERING COLUMN COVER / DIRECTIONAL SWITCH
SC4	6-WAY PMHD (BROWN)	STEERING COLUMN COVER / SPEAKER, DIRECTIONAL CANCEL SWITCH
SC6	6-WAY PMHD (VIOLET)	STEERING COLUMN COVER / IGNITION KEY SWITCH



FIG 1



FIG 2



FIG 3



FIG 4



FIG NUMBER REFERENCE

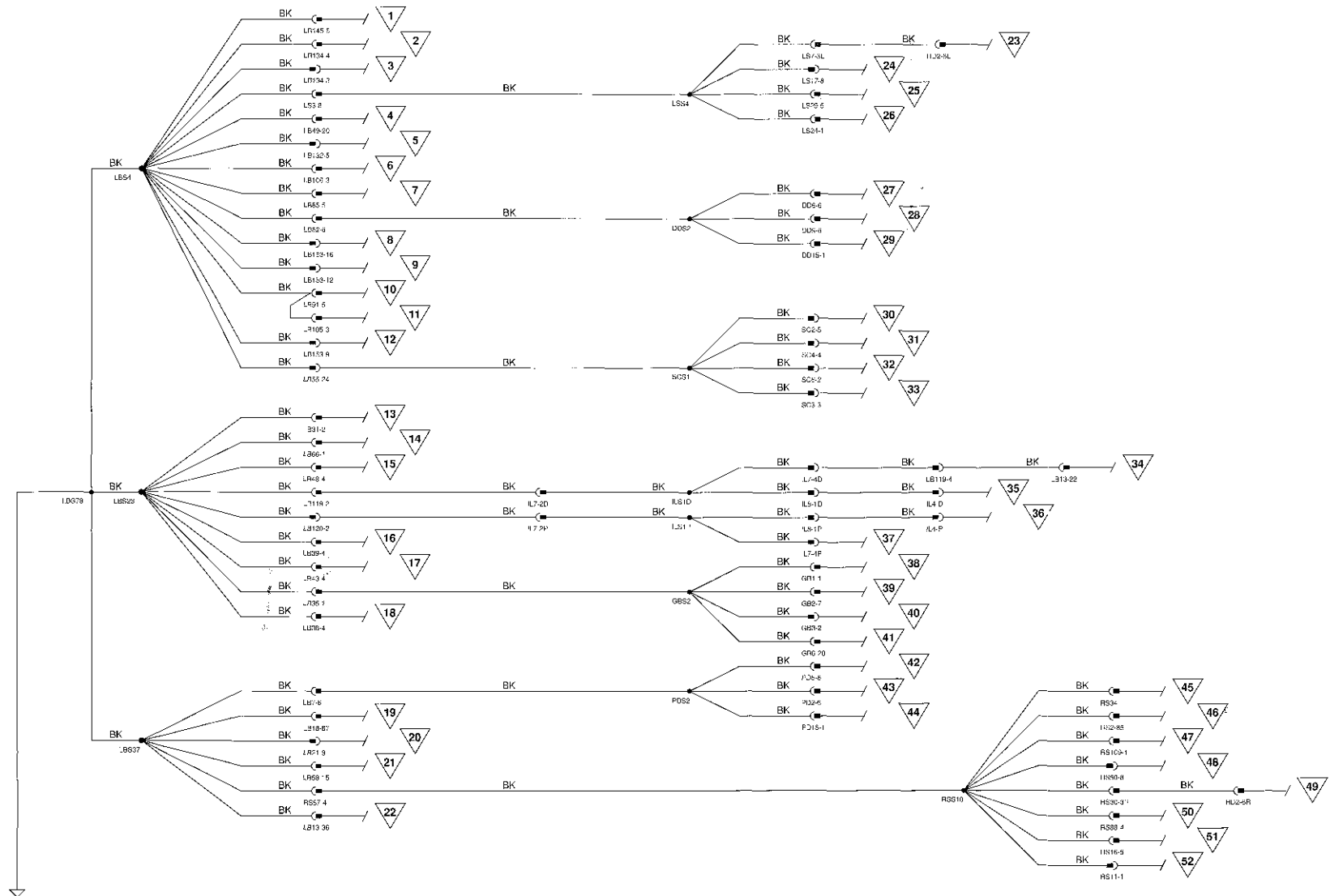


FIG 5

BATTERY; STARTER; ALTERNATOR

COMPONENTS

DESCRIPTION	LOCATION	ACCESS
ALTERNATOR	ENGINE, LEFT, FRONT	UNDER ENGINE COMPARTMENT
BATTERY	FRONT BULKHEAD, RIGHT	ENGINE COMPARTMENT
CENTRAL MICROPROCESSOR	BEHIND GLOVE BOX	UNDER DASH PANEL, RIGHT
DIODE—LBD2	BULKHEAD, RIGHT OF STEERING COLUMN	DASH BOARD
IGNITION SWITCH	STEERING COLUMN	STEERING COLUMN COVER
LOAD DUMP MODULE	UNDER AIR FILTER HOUSING	ENGINE COMPARTMENT
RELAY—STARTER (LB19)	COMPONENT PANEL	RIGHT DASH UNDER PANEL
STARTER SOLENOID	ENGINE, LEFT SIDE, ABOVE STARTER	ENGINE COMPARTMENT, BELOW
TRANSMISSION ROTARY SWITCH	GEARBOX FRONT CORNER	BELOW VEHICLE

CONNECTORS

CODE	DESCRIPTION	LOCATION / INTERFACE
AL1	EYELET	ENGINE COMPARTMENT, FRONT LEFT / LOAD DUMP MODULE
AL2	EYELET	ENGINE COMPARTMENT, FRONT LEFT / LOAD DUMP MODULE
AS1	RIGHT ANGLE TERMINAL	ENGINE COMPARTMENT, BELOW / STARTER MOTOR
AS2	RIGHT ANGLE TERMINAL	ENGINE COMPARTMENT, BELOW / ALTERNATOR B+
GB1	24-WAY PMHD (YELLOW)	CENTER CONSOLE SKI SLOPE PANEL / ROTARY SWITCH
LB13	36-WAY PMHD (BLACK)	RIGHT DASH UNDER PANEL / CPU
LB19	RELAY BASE (WHITE)	RIGHT DASH UNDER PANEL / STARTER RELAY
LB28	6-WAY PM4 (YELLOW)	RIGHT DASH UNDER PANEL / LI HARNESS
LB35	15-WAY PMHD (GREEN)	CENTER CONSOLE / LINEAR GEAR SWITCH
LB55	24-WAY PMHD (BLACK)	LEFT DASH UNDER PANEL / COLUMN SWITCHES
LI34	3-WAY PM4 (BLACK)	UNDER WIPER MOTOR / STARTER LINK LEAD
LL1	EYELET	ABOVE STARTER MOTOR / STARTER SOLENOID
LL2	EYELET	ABOVE STARTER MOTOR / STARTER SOLENOID
LS1	36-WAY PMHD (BLACK)	LEFT 'A' POST, UNDER DASH PANEL / LB HARNESS
LS30	3-WAY PM4 (BLUE)	UNDER AIR FILTER HOUSING / LOAD DUMP MODULE
LS45	EYELET	ALTERNATOR D+
SC5	6-WAY PMHD (GREEN)	STEERING COLUMN COVER / IGNITION SWITCH

GROUND

CODE	DESCRIPTION	LOCATION / INTERFACE
LBG75	EYELET	BULKHEAD, BEHIND LEFT BLOWER AIR DUCT / POWER GROUND
LBG88	EYELET	RIGHT BULKHEAD, BEHIND DASH / POWER GROUND

INPUTS / OUTPUTS

CENTRAL MICROPROCESSOR

CODE	IN / OUT	CIRCUIT	ACTIVE	INACTIVE
LB13-1	IN	IGNITION POWER	12V	0V
LB13-2	IN	DOOR KEY SWITCHES	UNLOCK: GROUND	OPEN CIRCUIT
LB13-21	IN	IGNITION GROUND	KEY ON: GROUND	KEY OFF: OPEN CIRCUIT
LB13-36	IN	LOGIC GROUND	GROUND	GROUND

 BATTERY POWER

FIG 1

 IGNITION POWER

FIG 2

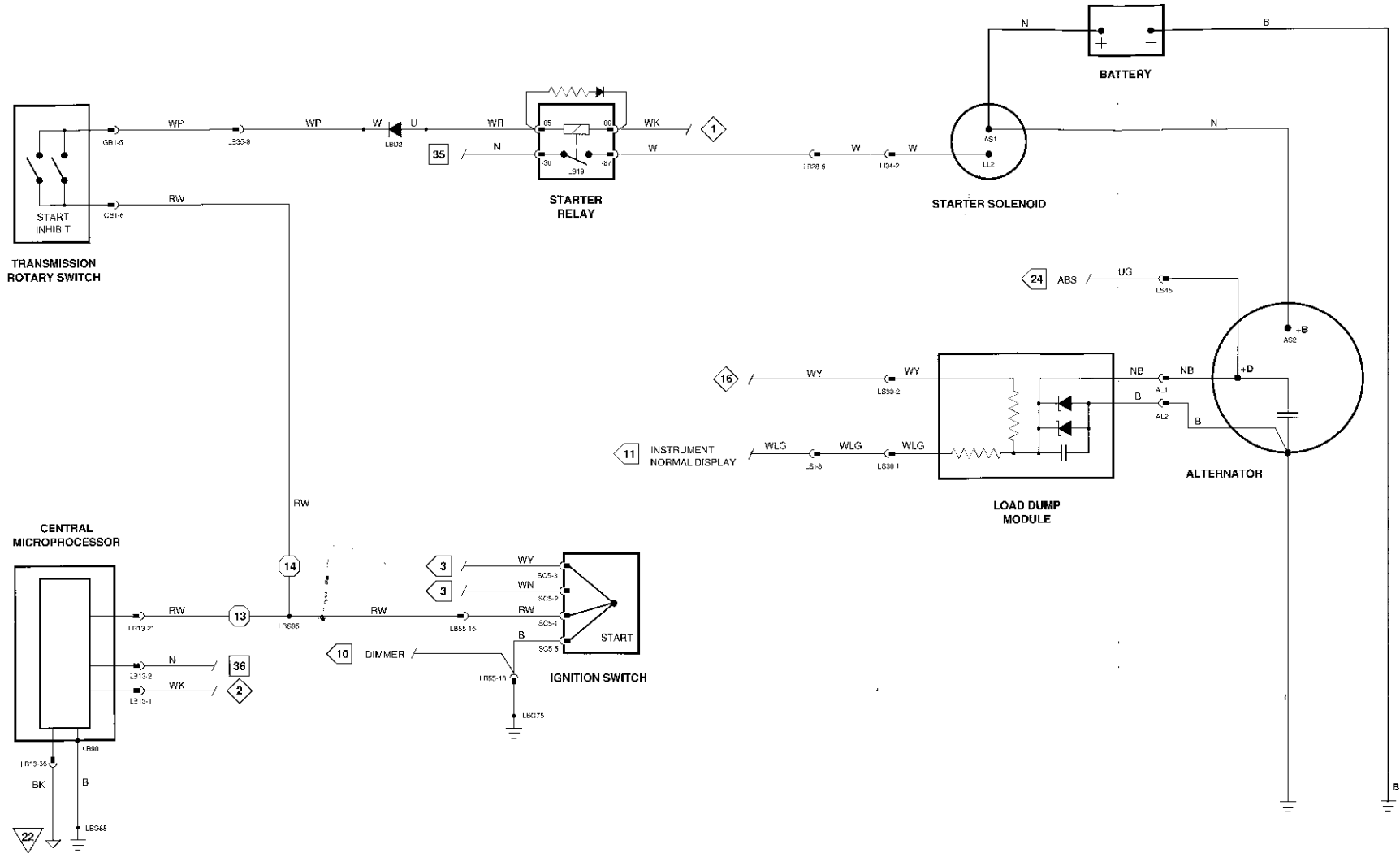
 IGNITION SWITCHED GROUND

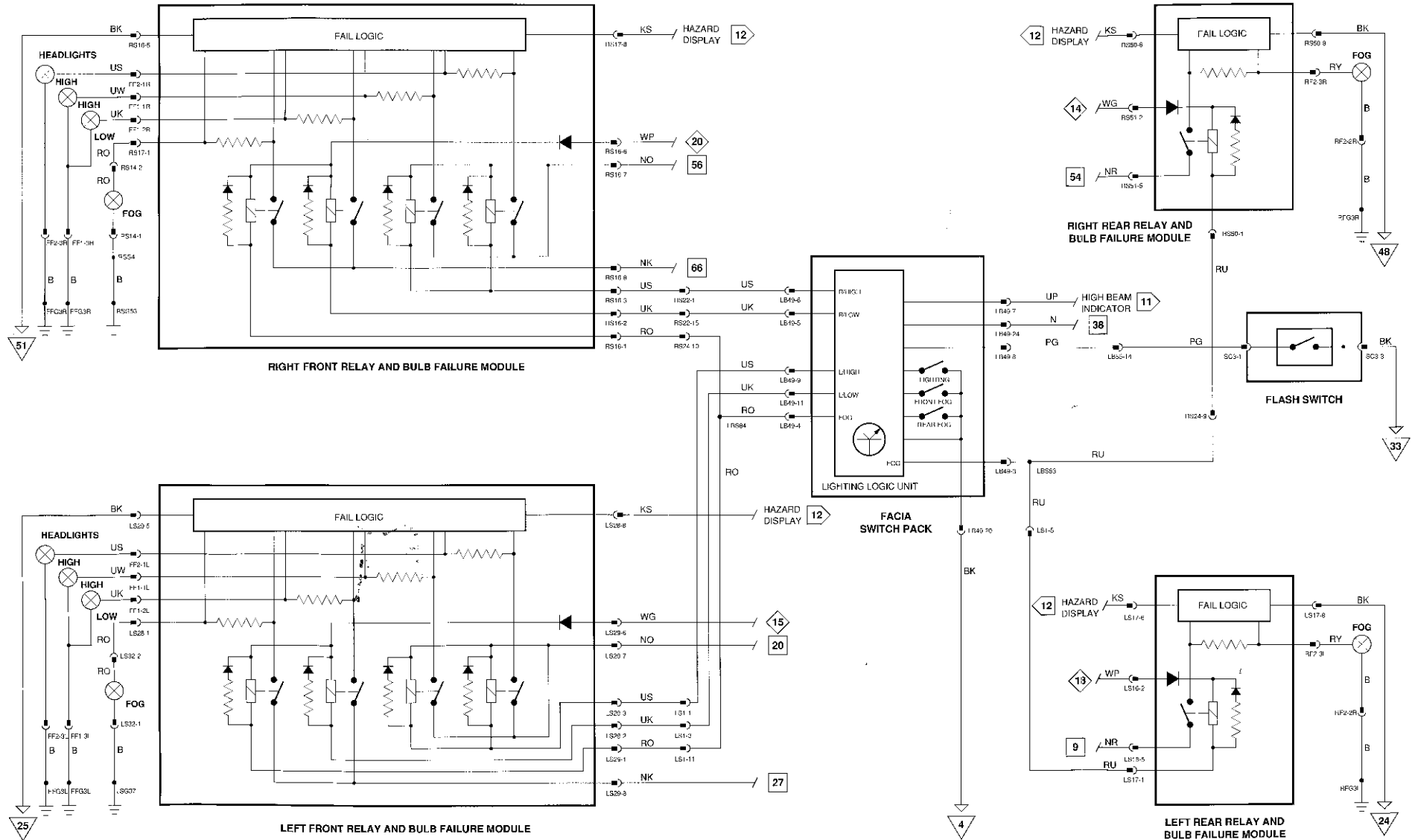
FIG 3

 LOGIC GROUND

FIG 4

 FIG NUMBER REFERENCE





COMPONENTS

DESCRIPTION	LOCATION	ACCESS
FACIA SWITCH PACK	ABOVE STEERING COLUMN	DASH UNDER PANEL, LEFT
RELAY AND BULB FAILURE MODULE—LEFT FRONT	BEHIND LEFT HEADLIGHTS	ENGINE COMPARTMENT
RELAY AND BULB FAILURE MODULE—LEFT REAR	TRUNK, LEFT, REAR	TRUNK TRIM PANEL
RELAY AND BULB FAILURE MODULE—RIGHT FRONT	BEHIND RIGHT HEADLIGHTS	ENGINE COMPARTMENT
RELAY AND BULB FAILURE MODULE—RIGHT REAR	TRUNK, RIGHT, REAR	TRUNK TRIM PANEL
RELAY—AUXILIARY SIDE LIGHT (LB18)	COMPONENT PANEL	RIGHT DASH UNDER PANEL
TRANSMISSION ROTARY SWITCH	GEARBOX LEFT FRONT CORNER	BELOW VEHICLE

CONNECTORS

CODE	DESCRIPTION	LOCATION / INTERFACE
GB1	24-WAY PMHD (YELLOW)	CENTER CONSOLE SKI SLOPE PANEL / ROTARY SWITCH
LB18	RELAY BASE (GREEN)	RIGHT DASH UNDER PANEL / AUXILIARY SIDE LIGHT RELAY
LB35	15-WAY PMHD (GREEN)	CENTER CONSOLE / REVERSE LIGHTS
LB49	24-WAY PMHD (GREEN)	LEFT DASH UNDER PANEL / FACIA SWITCH PACK
LS1	36-WAY PMHD (BLACK)	LEFT 'A' POST, UNDER DASH PANEL / LB HARNESS
LS15	5-WAY AMP SOCKET (WHITE)	TRUNK, LEFT, REAR / REAR LIGHT CLUSTER
LS16	6-WAY PM4 (BLACK)	TRUNK TRIM PANEL, LR / BULB FAIL MODULE
LS17	15-WAY PMHD (BLACK)	TRUNK TRIM PANEL, LR / BULB FAIL MODULE
LS28	9-WAY PM4 (YELLOW)	ENGINE COMPARTMENT, LF / BULB FAIL MODULE
LS29	9-WAY PM4 (BLACK)	ENGINE COMPARTMENT, LF / BULB FAIL MODULE
LS31	3-WAY PM4 (GREEN)	BEHIND FRONT VALANCE / LEFT SIDE MARKER LIGHT
LS38	3-WAY PM4 (BLACK)	BEHIND FRONT VALANCE / LEFT DIRECTIONAL LIGHT
LS58	2-WAY PMHD (BLACK)	TRUNK BULKHEAD TRIM PANEL / RS HARNESS
RF1	2-WAY ECONOSEAL (BLACK)	BEHIND LEFT AND RIGHT TRUNK TRIM PANELS / REAR SIDE MARKER LIGHT
RS12	3-WAY PM4 (BLACK)	BEHIND FRONT VALANCE / RIGHT DIRECTIONAL LIGHT
RS13	2-WAY PM4 (GREEN)	BEHIND FRONT VALANCE / RIGHT SIDE MARKER LIGHT
RS16	9-WAY PM4 (BLACK)	ENGINE COMPARTMENT, RF / BULB FAIL MODULE
RS17	9-WAY PM4 (YELLOW)	ENGINE COMPARTMENT, RF / BULB FAIL MODULE
RS24	24-WAY PMHD (YELLOW)	RIGHT 'A' POST, UNDER DASH PANEL / LB HARNESS
RS42	.187 BLADE RECEPTACLE	INNER TRUNK LID PANEL / LICENSE PLATE LIGHT
RS43	.187 BLADE RECEPTACLE	INNER TRUNK LID PANEL / LICENSE PLATE LIGHT
RS45	.187 BLADE RECEPTACLE	INNER TRUNK LID PANEL / LICENSE PLATE LIGHT
RS46	.187 BLADE RECEPTACLE	INNER TRUNK LID PANEL / LICENSE PLATE LIGHT
RS50	15-WAY PMHD (BLACK)	BEHIND TRUNK TRIM PANEL, RIGHT / BULB FAIL MODULE
RS51	4-WAY PM4 (BLACK)	BEHIND TRUNK TRIM PANEL, RIGHT / BULB FAIL MODULE
RS52	5-WAY AMP (WHITE)	TRUNK, RR / REAR LIGHT CLUSTER

GROUNDS

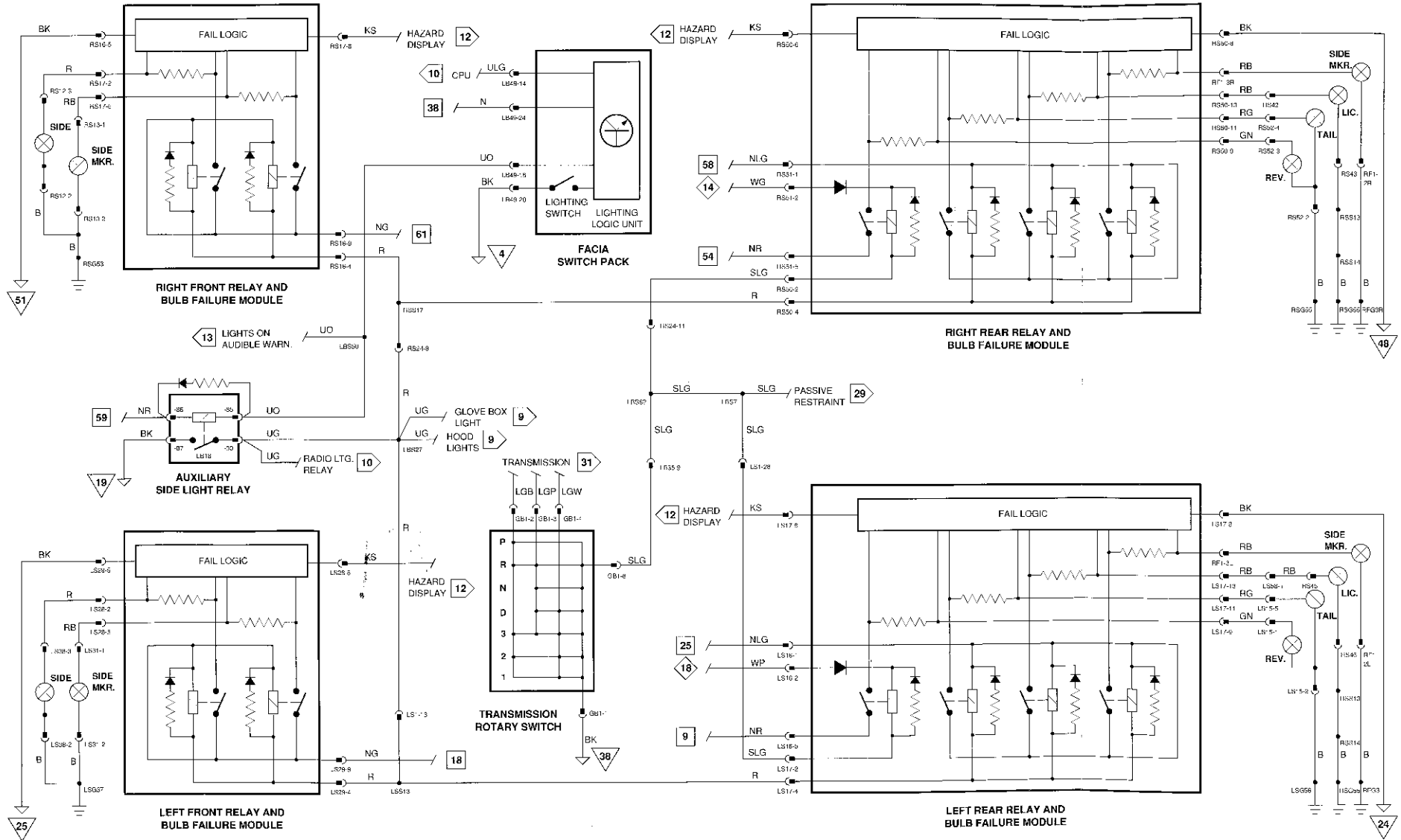
CODE	DESCRIPTION	LOCATION / INTERFACE
LSG37	EYELET	ENGINE COMPARTMENT, LF / POWER GROUND
LSG56	EYELET	BEHIND TRUNK TRIM PANEL, LR / POWER GROUND
RFG3	EYELET	LEFT AND RIGHT TRUNK SILLS / POWER GROUND
RSG53	EYELET	ENGINE COMPARTMENT, RF / POWER GROUND
RSG55	EYELET	BEHIND TRUNK TRIM PANEL, RR / POWER GROUND

INPUTS / OUTPUTS

LIGHTING LOGIC UNIT

CODE	IN / OUT	CIRCUIT	ACTIVE	INACTIVE
LB49-14	OUT	LIGHTS ON SIGNAL TO CPU	LIGHTS ON GROUND	APPROX .07V
LB49-18	OUT	AUXILIARY SIDE LIGHT RELAY	GROUND	12V
LB49-20	IN	LOGIC GROUND	GROUND	GROUND
LB49-24	IN	BATTERY POWER	12V	12V





COMPONENTS

DESCRIPTION	LOCATION	ACCESS
BRAKE LIGHT SWITCH	BRAKE PEDAL BOX	DRIVER FOOTWELL
CENTRAL MICROPROCESSOR	BEHIND GLOVE BOX	UNDER DASH PANEL, RIGHT
COLUMN SWITCHES	STEERING COLUMN	STEERING COLUMN COVER
DIODE (RSD5)	TRUNK, RIGHT, REAR	RIGHT TRUNK TRIM PANEL
HAZARD SWITCH	FACIA SWITCH PACK	DASH UNDER PANEL, LEFT
HIGH MOUNT STOP LIGHT	REAR WINDOW	HIGH MOUNT STOP LIGHT COVER
RELAY—HIGH MOUNT STOP LIGHT (RS79)	TRUNK, RIGHT, REAR	TRIM PANEL
RELAY AND BULB FAILURE MODULE—LEFT FRONT	BEHIND LEFT HEADLIGHTS	ENGINE COMPARTMENT
RELAY AND BULB FAILURE MODULE—LEFT REAR	TRUNK, LEFT, REAR	TRUNK TRIM PANEL
RELAY AND BULB FAILURE MODULE—RIGHT FRONT	BEHIND RIGHT HEADLIGHTS	ENGINE COMPARTMENT
RELAY AND BULB FAILURE MODULE—RIGHT REAR	TRUNK, RIGHT, REAR	TRUNK TRIM PANEL

CONNECTORS

CODE	DESCRIPTION	LOCATION / INTERFACE
HMI	3-WAY PLUG	HIGH MOUNT STOP LIGHT COVER / STOP LIGHT
LB12	3-WAY PM4 (BLACK)	RIGHT DASH UNDER PANEL / CPU
LB13	36-WAY PMHD (BLACK)	RIGHT DASH UNDER PANEL / CPU
LB14	36-WAY PMHD (YELLOW)	RIGHT DASH UNDER PANEL / CPU
LB49	24-WAY PMHD (GREEN)	LEFT DASH UNDER PANEL / FACIA SWITCH PACK
LB55	24-WAY PMHD (BLACK)	LEFT DASH UNDER PANEL / COLUMN SWITCHES
LB56	2-WAY PMHD (YELLOW)	DRIVER FOOTWELL, PEDAL BOX / BRAKE SWITCH
LB90	EYELET	PASSENGER FOOTWELL, 'A' POST / CPU GROUND
LS1	36-WAY PMHD (BLACK)	LEFT 'A' POST, UNDER DASH PANEL / LB HARNESS
LS2	15-WAY PMHD (YELLOW)	LEFT 'A' POST, UNDER DASH PANEL / LB HARNESS
LS3	9-WAY PM4 (BLACK)	LEFT 'A' POST / LB HARNESS
LS15	5-WAY AMP SOCKET (WHITE)	TRUNK, LEFT REAR / REAR LIGHT CLUSTER
LS16	6-WAY PM4 (BLACK)	TRUNK TRIM PANEL, LEFT REAR / BULB FAIL MODULE
LS17	15-WAY PMHD (BLACK)	TRUNK TRIM PANEL, LEFT REAR / BULB FAIL MODULE
LS19	3-WAY ECONOSEAL (BLACK)	NOT USED
LS28	9-WAY PM4 (YELLOW)	ENGINE COMPARTMENT, LEFT FRONT / BULB FAIL MODULE
LS29	9-WAY PM4 (BLACK)	ENGINE COMPARTMENT, LEFT FRONT / BULB FAIL MODULE
LS38	3-WAY PM4 (BLACK)	BEHIND FRONT VALANCE / LEFT DIRECTIONAL LIGHT
RS12	3-WAY PM4 (BLACK)	BEHIND FRONT VALANCE / RIGHT DIRECTIONAL LIGHT
RS16	9-WAY PM4 (BLACK)	ENGINE COMPARTMENT, RIGHT FRONT / BULB FAIL MODULE
RS17	9-WAY PM4 (YELLOW)	ENGINE COMPARTMENT, RIGHT FRONT / BULB FAIL MODULE
RS22	36-WAY PMHD (BLACK)	RIGHT 'A' POST, UNDER DASH PANEL / LB HARNESS
RS24	24-WAY PMHD (YELLOW)	RIGHT 'A' POST, UNDER DASH PANEL / LB HARNESS
RS26	2-WAY ECONOSEAL	NOT USED
RS50	15-WAY PMHD (BLACK)	BEHIND TRUNK TRIM PANEL, RIGHT / BULB FAIL MODULE
RS51	4-WAY PM4 (BLACK)	BEHIND TRUNK TRIM PANEL, RIGHT / BULB FAIL MODULE
RS52	5-WAY AMP SOCKET (WHITE)	TRUNK, RIGHT REAR / REAR LIGHT CLUSTER
RS71	3-WAY	REAR PARCEL SHELF / HIGH MOUNT STOP LIGHT
RS79	RELAY BASE	TRUNK TRIM PANEL, RIGHT / HIGH MOUNT STOP LIGHT RELAY
RS87	6-WAY PM4 (BLACK)	RIGHT DASH UNDER PANEL, 'A' POST, HIGH / LB HARNESS
SC3	6-WAY PMHD (BLUE)	STEERING COLUMN COVER / DIRECTIONAL SWITCH
SC4	6-WAY PMHD (BROWN)	STEERING COLUMN COVER / SPEAKER, DI CANCEL SWITCH

GROUNDS

CODE	DESCRIPTION	LOCATION / INTERFACE
LBG72	EYELET	DRIVER FOOTWELL, LEFT 'A' POST / POWER GROUND
LBG80	EYELET	PASSENGER FOOTWELL, RIGHT 'A' POST / POWER GROUND
LBG88	EYELET	RIGHT BULKHEAD, BEHIND DASH / POWER GROUND
LSG37	EYELET	ENGINE COMPARTMENT, LEFT FRONT / POWER GROUND
LSG56	EYELET	TRUNK TRIM PANEL, LEFT REAR / POWER GROUND
RSG53	EYELET	ENGINE COMPARTMENT, RIGHT FRONT / POWER GROUND
RSG55	EYELET	BEHIND TRUNK TRIM PANEL, RIGHT REAR / POWER GROUND

INPUTS / OUTPUTS

CENTRAL MICROPROCESSOR

CODE	IN / OUT	CIRCUIT	ACTIVE	INACTIVE
LB12-2	IN	BATTERY POWER	12V	12V
LB13-1	IN	IGNITION POWER	12V	0V
LB13-6	IN	HAZARD WARNING	GROUND	OPEN CIRCUIT
LB13-9	IN	RIGHT TURN SIGNAL	GROUND PULSE	OPEN CIRCUIT
LB13-10	IN	LEFT TURN SIGNAL	GROUND PULSE	OPEN CIRCUIT
LB13-11	IN	LEFT TURN CANCEL	GROUND PULSE	OPEN CIRCUIT
LB13-12	IN	CENTER TURN CANCEL	GROUND PULSE	OPEN CIRCUIT
LB13-13	IN	RIGHT TURN CANCEL	GROUND PULSE	OPEN CIRCUIT
LB13-14	IN	TURN SIGNAL BULB FAIL	FAIL: GROUND	PASS: 5V
LB13-15	IN	TURN SIGNAL BULB FAIL	FAIL: GROUND	PASS: 5V
LB13-27	IN	BULB MODULE DISCONNECT LOOP	FAIL: 5V	PASS: GROUND
LB13-28	IN	BULB MODULE DISCONNECT LOOP	FAIL: 5V	PASS: GROUND
LB13-36	IN	LOGIC GROUND	GROUND	GROUND
LB14-2	OUT	TURN SIGNAL BULB FAIL	12V	GROUND
LB14-6	OUT	4-WAY FLASH INDICATION	STAGGERED PULSE TO GROUND	12V
LB14-7	OUT	RIGHT TURN SIGNAL	STAGGERED PULSE TO GROUND	12V
LB14-8	OUT	LEFT TURN SIGNAL	STAGGERED PULSE TO GROUND	12V
LB14-9	OUT	RIGHT TURN SIGNAL INDICATOR	STAGGERED PULSE TO GROUND	5V
LB14-10	OUT	LEFT TURN SIGNAL INDICATOR	STAGGERED PULSE TO GROUND	5V
LB14-14	OUT	TURN SIGNAL AUDIBLE WARNING	STAGGERED PULSE TO GROUND	5V

COLUMN SWITCHES

CODE	IN / OUT	CIRCUIT	ACTIVE	INACTIVE
LB55-3	OUT	LEFT TURN SIGNAL CANCEL SWITCH	GROUND	OPEN CIRCUIT
LB55-4	OUT	CENTER TURN SIGNAL CANCEL SWITCH	GROUND	OPEN CIRCUIT
LB55-5	OUT	RIGHT TURN SIGNAL CANCEL SWITCH	GROUND	OPEN CIRCUIT
LB55-6	OUT	LEFT TURN SIGNAL SWITCH	GROUND	OPEN CIRCUIT
LB55-7	OUT	RIGHT TURN SIGNAL SWITCH	GROUND	OPEN CIRCUIT



FIG 1

FIG 2

FIG 3

FIG 4

COMPONENTS

DESCRIPTION

CENTER CONSOLE SWITCHES
CENTRAL MICROPROCESSOR
DIODE—LBD8
DIODE—RSD6
DOOR GUARD LIGHTS
DOOR SWITCH PANEL
DOOR SWITCH
'E' POST LIGHT—LEFT
'E' POST LIGHT—RIGHT
FACIA SWITCH PACK
GLOVE BOX LIGHT
GLOVE BOX SWITCH
HOOD SWITCH
RELAY—AUXILIARY SIDE LIGHT (LB18)
RELAY—DOOR GUARD LIGHT (LB108)
ROOF CONSOLE
TRUNK LIGHT
TRUNK SWITCH
UNDERHOOD LIGHTS

LOCATION

CENTER CONSOLE
BEHIND GLOVE BOX
LEFT OF GLOVE BOX W/LB26
ABOVE SOLENOID VALVE BLOCK
DOOR ARM REST
DOOR ARM REST
DOOR LATCH
LEFT 'E' POST
RIGHT 'E' POST
ABOVE STEERING COLUMN
DASH GLOVE BOX
DASH GLOVE BOX
RADIATOR BRACE, RF
COMPONENT PANEL
COMPONENT PANEL
HEAD LINER, CENTER FRONT
TRUNK LID, REAR FACE
RIGHT TRUNK LID HINGE
UNDER ENGINE HOOD

ACCESS

CONSOLE SKI SLOPE PANEL
UNDER DASH PANEL, RIGHT
RIGHT DASH UNDER PANEL
ENGINE COMPARTMENT, RIGHT
DOOR LOWER TRIM PANEL
DOOR LOWER TRIM PANEL
DOOR LOWER TRIM PANEL
'E' POST TRIM
'E' POST TRIM
DASH UNDER PANEL, LEFT
DASH GLOVE BOX
DASH GLOVE BOX
ENGINE COMPARTMENT
RIGHT DASH UNDER PANEL
RIGHT DASH UNDER PANEL
REMOVABLE PANEL
TRUNK
TRUNK
ENGINE HOOD

CONNECTORS

CODE DESCRIPTION

BH1 3-WAY ECONOSEAL (RED)
BH2 3-WAY ECONOSEAL (RED)
CB1 SLIM LOCK TERMINAL
CB2 SLIM LOCK TERMINAL
CB3 SLIM LOCK TERMINAL
CB4 SLIM LOCK TERMINAL
DD2 24-WAY PMHD (YELLOW)
DD9 6-WAY PM4 (BLACK)
DD12 2-WAY PMHD (BLUE)
DS2 .250 BLADE RECEPTACLE
DS3 .250 BLADE RECEPTACLE
DS4 2-WAY ECONOSEAL (BLACK)
IL2 POSITIVE LOCK RECEPTACLE
IL3 POSITIVE LOCK TERMINAL
IL4 .250 BLADE RECEPTACLE
IL7 5-WAY PIN CONNECTOR (BLACK)
IL8 5-WAY PIN CONNECTOR (BLACK)
LB6 4-WAY PMHD (BLACK)
LB8 24-WAY PMHD (BLACK)
LB12 3-WAY PM4 (BLACK)
LB13 36-WAY PMHD (BLACK)
LB14 36-WAY PMHD (YELLOW)
LB18 RELAY BASE (GREEN)
LB26 24-WAY PMHD (BLACK)
LB30 15-WAY PMHD (BLUE)
LB49 24-WAY PMHD (GREEN)
LB61 36-WAY PMHD (BLACK)
LB108 RELAY BASE (YELLOW)

LOCATION / INTERFACE

HOOD SOUND DEADENER / UNDER HOOD LAMP
HOOD SOUND DEADENER / UNDER HOOD LAMP
GLOVE BOX / LAMP
GLOVE BOX / LAMP
GLOVE BOX / SWITCH
GLOVE BOX / SWITCH
DOOR TRIM, LOWER / DOOR SWITCH PANEL
DOOR, INNER / DOOR LATCH SWITCH
DOOR TRIM, LOWER / DOOR SWITCH PANEL
DOOR TRIM, LOWER / DOOR GUARD LAMP
DOOR TRIM, LOWER / DOOR GUARD LAMP
DOOR TRIM, LOWER / DOOR GUARD LAMP
FRONT SEAT HEADREST / READING LAMP
FRONT SEAT HEADREST / READING LAMP
FRONT SEAT HEADREST / READING LAMP
UNDER PASS. SEAT CUSHION / SEAT BACK IL HARNESS
UNDER DRIV. SEAT CUSHION / SEAT BACK IL HARNESS
ROOF CONSOLE PANEL / MAP LIGHT
INSIDE RIGHT 'A' POST / PD HARNESS
RIGHT DASH UNDER PANEL / CPU
RIGHT DASH UNDER PANEL / CPU
RIGHT DASH UNDER PANEL / CPU
RIGHT DASH UNDER PANEL / AUX. SIDE LIGHT RELAY
RIGHT DASH UNDER PANEL / GLOVE BOX LIGHT
CENTER CONSOLE / CENTER CONSOLE SWITCH PANEL
LEFT DASH UNDER PANEL / FACIA SWITCH PACK
INSIDE LEFT 'A' POST / DD HARNESS
RIGHT DASH UNDER PANEL / DOOR GUARD LIGHT RELAY

CODE

LB119 5-WAY PIN CONNECTOR (BLACK)
LB120 5-WAY PIN CONNECTOR (BLACK)
LB122 AMP IN-LINE
LB123 AMP IN-LINE
LB124 AMP IN-LINE
LB125 AMP IN-LINE
LS1 36-WAY PMHD (BLACK)
LS2 15-WAY PMHD (YELLOW)
LS6 6-WAY PMHD (BLACK)
LS42 2-WAY ECONOSEAL
PD2 6-WAY PM4 (BLACK)
PD8 6-WAY PMHD (YELLOW)
PD15 2-WAY PMHD (BLUE)
PS2 .250 BLADE RECEPTACLE
PS3 .250 BLADE RECEPTACLE
PS4 2-WAY ECONOSEAL (BLACK)
RD2 6-WAY PM4 (BLUE)
RD5 6-WAY PMHD (YELLOW)
RD7 2-WAY PMHD (BLUE)
RS1 2-WAY ECONOSEAL (RED)
RS22 36-WAY PMHD (BLACK)
RS24 24-WAY PMHD (YELLOW)
RS31 6-WAY PMHD (BLACK)
RS32 16-WAY PMHD (BLACK)
RS41 2-WAY PMHD (YELLOW)
RS47 .250 BLADE RECEPTACLE
RS54 2-WAY ECONOSEAL (BLACK)
RS64 2-WAY ECONOSEAL (BLACK)

LOCATION / INTERFACE

CARPET UNDER DRIV. SEAT / DRIVER SIDE IL HARNESS
CARPET UNDER PASS. SEAT / PASS. SIDE IL HARNESS
ABOVE ROOF CONSOLE / RIGHT VANITY MIRROR
ABOVE ROOF CONSOLE / RIGHT VANITY MIRROR
ABOVE ROOF CONSOLE / LEFT VANITY MIRROR
ABOVE ROOF CONSOLE / LEFT VANITY MIRROR
LEFT 'A' POST, UNDER DASH PANEL / LB HARNESS
LEFT 'A' POST, UNDER DASH PANEL / LB HARNESS
LEFT 'B/C' POST LINER / RD HARNESS
LEFT 'E' POST TRIM / MAP READING LIGHT
DOOR, INNER / DOOR LATCH SWITCH
DOOR TRIM, LOWER / DOOR SWITCH PANEL
DOOR TRIM, LOWER / DOOR SWITCH PANEL
DOOR TRIM, LOWER / DOOR GUARD LIGHT
DOOR TRIM, LOWER / DOOR GUARD LIGHT
DOOR, INNER / DOOR LATCH SWITCH
DOOR TRIM, UPPER / DOOR SWITCH PANEL
DOOR TRIM, LOWER / DOOR SWITCH PANEL
RIGHT RADIATOR SUPPORT / UNDER HOOD LIGHTS
RIGHT 'A' POST, UNDER DASH PANEL / LB HARNESS
RIGHT 'A' POST, UNDER DASH PANEL / LB HARNESS
RIGHT LOWER 'B/C' POST TRIM / RD HARNESS
RIGHT LOWER 'B/C' POST TRIM / RD HARNESS
INNER TRUNK LID PANEL / TRUNK LIGHT
RIGHT TRUNK LID HINGE / TRUNK LIGHT SWITCH
ENGINE COMPARTMENT, RF / HOOD LIGHT SWITCH
RIGHT 'E' POST TRIM / MAP READING LIGHT

GROUNDS

CODE DESCRIPTION

LBG72 EYELET
LBG88 EYELET
LSG39 EYELET
RSG55 EYELET

LOCATION / INTERFACE

DRIVER FOOTWELL, LEFT 'A' POST / POWER GROUND
RIGHT BULKHEAD, BEHIND DASH / POWER GROUND
BEHIND TRUNK TRIM PANEL, LEFT REAR / POWER GROUND
BEHIND TRUNK TRIM PANEL, RIGHT REAR / POWER GROUND

INPUTS / OUTPUTS

CENTRAL MICROPROCESSOR

CODE	IN / OUT	CIRCUIT
LB12-2	IN	BATTERY POWER
LB13-1	IN	IGNITION POWER
LB13-18	IN	PASSENGER DOOR SWITCHES
LB13-20	IN	DRIVERS DOOR SWITCH
LB13-21	IN	IGNITION GROUND
LB13-35	IN	INTERIOR LIGHTS
LB13-36	IN	LOGIC GROUND
LB14-13	OUT	INTERIOR LIGHTS
LB14-36	OUT	CENTER CONSOLE PANEL GROUND

ACTIVE
12V
12V
DOOR OPEN: GROUND
GROUND
KEY ON: GROUND
GROUND
GROUND
GROUND: 0V
GROUND: 0V

INACTIVE
12V
0V
DOOR CLOSED: OPEN CIRCUIT
OPEN CIRCUIT
KEY OFF: OPEN CIRCUIT
OPEN CIRCUIT
GROUND
12V
GROUND: 0V

CENTER CONSOLE SWITCH

CODE	IN / OUT	CIRCUIT
LB30-5	OUT	MAP LIGHT SWITCH
LB30-6	IN	INTERIOR LIGHT SWITCH
LB30-15	IN	POWER GROUND

ACTIVE
GROUND
GROUND

INACTIVE
12V
OPEN CIRCUIT

LIGHTING LOGIC UNIT

CODE	IN / OUT	CIRCUIT
LB49-14	OUT	LIGHTS ON SIGNAL TO CPU
LB49-18	OUT	AUXILIARY SIDE LIGHT RELAY
LB49-20	IN	LOGIC GROUND
LB49-24	IN	BATTERY POWER

ACTIVE
LIGHTS ON: GROUND
GROUND
GROUND
12V

INACTIVE
LIGHTS OFF: APPROX .07V
12V
GROUND
12V



FIG 1



FIG 2

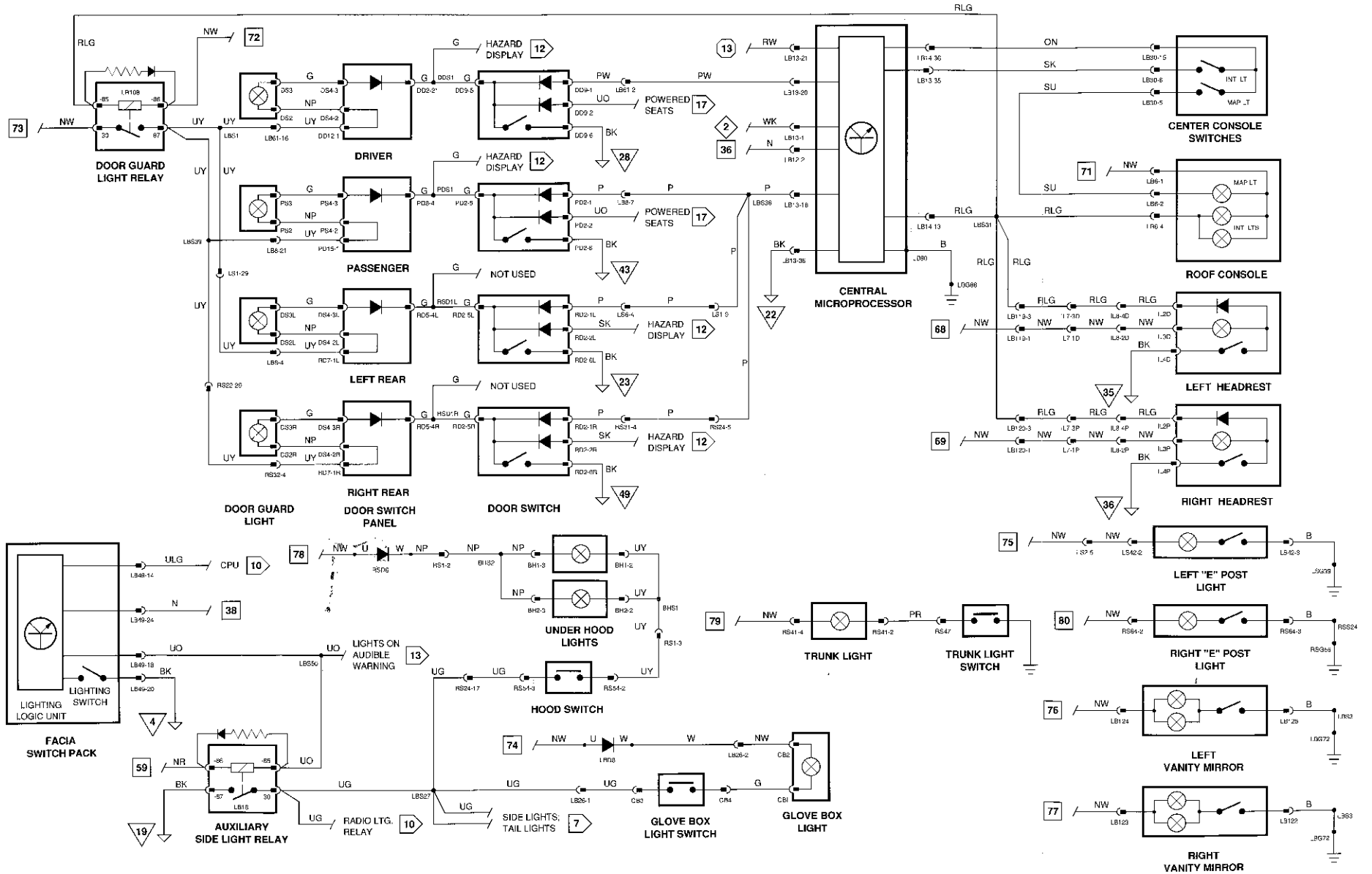


FIG 3



FIG 4





COMPONENTS

DESCRIPTION

CENTER CONSOLE
CENTRAL MICROPROCESSOR
CIGAR LIGHTER—FRONT
CIGAR LIGHTER—REAR
CLIMATE CONTROL PANEL
COLUMN SWITCHES
DIODE—LBD11
FACIA SWITCH PACK
GEAR POSITION INDICATOR MODULE
INSTRUMENT PACK
RADIO
RELAY—AUXILIARY SIDE LIGHT (LB18)
RELAY—RADIO LIGHTING (LB92)
TRANSMISSION MODE SWITCH

LOCATION

CENTER CONSOLE
BEHIND GLOVE BOX
CENTER CONSOLE ASHTRAY
CENTER CONSOLE REAR PANEL
CENTER CONSOLE
STEERING COLUMN
RIGHT LOWER 'A' POST, FORWARD
ABOVE STEERING COLUMN
'J' GATE
DRIVER SIDE DASH
CENTER CONSOLE
COMPONENT PANEL
PASSENGER FOOTWELL, 'A' POST
'J' GATE

ACCESS

CONSOLE SKI SLOPE PANEL
UNDER DASH PANEL, RIGHT
ASHTRAY
CENTER GLOVE BOX
CONSOLE SKI SLOPE PANEL
STEERING COLUMN COVER
PASSENGER FOOTWELL
UNDER DASH PANEL, LEFT
CONSOLE SKI SLOPE PANEL
UNDER DASH PANEL, LEFT
CONSOLE SKI SLOPE PANEL
RIGHT DASH UNDER PANEL
TRIM PANEL
'J' GATE SURROUND

CONNECTORS

CODE	DESCRIPTION	LOCATION / INTERFACE	CODE	DESCRIPTION	LOCATION / INTERFACE
AC1	24-WAY PMHD (YELLOW)	CENTER CONSOLE / AC CONTROL PANEL	LB43	4-WAY ECONOSEAL (WHITE)	CENTER CONSOLE / REAR CIGAR LIGHTER
GB2	15-WAY PMHD (BLACK)	CENTER CONS. SKI SLOPE PANEL / GB ILLUM. MODULE	LB49	24-WAY PMHD (GREEN)	LEFT DASH UNDER PANEL / FACIA SWITCH PACK
GB3	6-WAY AMP (WHITE)	CENTER CONS. SKI SLOPE PANEL / SPORT SWITCH	LB55	24-WAY PMHD (BLACK)	LEFT DASH UNDER PANEL / COLUMN SWITCHES
LB12	3-WAY PM4 (BLACK)	RIGHT DASH UNDER PANEL / CPU	LB66	15-WAY PMHD (BLACK)	CENTER CONSOLE, AC CONTROL PANEL / AC HARNESS
LB13	36-WAY PMHD (BLACK)	RIGHT DASH UNDER PANEL / CPU	LB92	RELAY BASE (YELLOW)	PASSENGER FOOTWELL, 'A' POST / RADIO LIGHT. RELAY
LB14	36-WAY PMHD (YELLOW)	RIGHT DASH UNDER PANEL / CPU	LB132	24-WAY PMHD (BROWN)	LEFT DASH UNDER PANEL / FACIA SWITCH PACK
LB18	RELAY BASE (GREEN)	RIGHT DASH UNDER PANEL / AUXILIARY SIDE LT. RELAY	LB134	24-WAY GROTE (BLACK)	BEHIND INSTRUMENT PACK / INSTRUMENT PACK
LB30	15-WAY PMHD (BLUE)	CENTER CONSOLE / CENTER CONSOLE SWITCH PANEL	LB135	48-WAY GROTE (BLACK)	BEHIND INSTRUMENT PACK / INSTRUMENT PACK
LB33	15-WAY PMHD (YELLOW)	CENTER CONSOLE / RADIO	LB157	4-WAY ECONOSEAL (WHITE)	CENTER CONS. SKI SLOPE PANEL / FRONT CIGAR LIGHTER
LB35	15-WAY PMHD (GREEN)	CENTER CONSOLE / GEAR POS. INDICATOR MODULE	LB158	4-WAY ECONOSEAL (WHITE)	CENTER CONS. SKI SLOPE PANEL / REAR CIGAR LIGHTER
LB38	4-WAY ECONOSEAL (WHITE)	CENTER CONSOLE / FRONT CIGAR LIGHTER	SCI	6-WAY PMHD (BLACK)	STEERING COLUMN COVER / DIMMER MODULE

GROUNDINGS

CODE	DESCRIPTION	LOCATION / INTERFACE
LBG73	EYELET	CENTER CONSOLE ASHTRAY / POWER GROUND
LBG75	EYELET	BULKHEAD, BEHIND LEFT BLOWER AIR DUCT / POWER GROUND
LBG88	EYELET	RIGHT BULKHEAD, BEHIND DASH / POWER GROUND

INPUTS / OUTPUTS

CENTRAL MICROPROCESSOR

CODE	IN / OUT	CIRCUIT	ACTIVE	INACTIVE
LB12-2	IN	BATTERY POWER	12V	12V
LB13-1	IN	IGNITION POWER	12V	0V
LB13-7	IN	INSTRUMENT LIGHTING	LIGHTS ON: GROUND	LIGHTS OFF: OPEN CIRCUIT
LB13-16	OUT	TIME CLOCK MEMORY	12V	0V
LB13-17	IN	KEY BOARD LIGHTING SWITCH	BUTTON IN: GROUND	BUTTON OUT: OPEN CIRCUIT
LB13-32	IN	CLOCK MOMENTARY LIGHTING	GROUND	OPEN CIRCUIT
LB13-36	IN	LOGIC GROUND	GROUND	GROUND
LB14-24	OUT	KEY BOARD LIGHTING	TIMED GROUND: 0V	DIMMER OUTPUT: 4.5-12V
LB14-29	OUT	INSTRUMENT LIGHTING	LIGHTS ON: GROUND	LIGHTS OFF: 12V
LB14-35	OUT	CLOCK DISPLAY W/ KEY ON	12V	0V
LB14-36	OUT	CENTER CONSOLE PANEL GROUND	GROUND: 0V	GROUND: 0V
LB90	IN	POWER GROUND		

CLIMATE CONTROL PANEL

CODE	IN / OUT	CIRCUIT	ACTIVE	INACTIVE
AC1-18	IN	LIGHTING GROUND	GROUND	GROUND
AC1-20	IN	LOCATE LIGHTING	DIMMER OUTPUT: 4.5-12V	0V
AC1-21	IN	AUXILIARY SIDE LIGHT RELAY	LIGHTS ON: GROUND	LIGHTS OFF: 12V

CLOCK / CENTER CONSOLE

CODE	IN / OUT	CIRCUIT	ACTIVE	INACTIVE
LB30-3	OUT	CLOCK MOMENTARY LIGHTING	MOMENTARY GROUND	OPENCIRCUIT
LB30-7	IN	DIMMER OVERRIDE	DIMMER ACTIVE: GROUND	DIMMER INACTIVE: 12V
LB30-11	IN	LOCATE LIGHTING	DIMMER OUTPUT: 4.5-12V	0V
LB30-13	IN	CLOCK DISPLAY POWER	12V	0V
LB30-14	IN	PERMANENT POWER	12V	12V
LB30-15	IN	POWER GROUND	GROUND	GROUND

COLUMN SWITCHES

CODE	IN / OUT	CIRCUIT	ACTIVE	INACTIVE
LB55-9	OUT	DIMMER OVERRIDE SWITCH	LIGHTS ON: GROUND	LIGHTS OFF: 12V
LB55-12	IN	BATTERY POWER	12V	12V
LB55-13	OUT	DIMMER CONTROL	4.5-12V	0V
LB55-16	IN	POWER GROUND		
LB55-20	OUT	DIMMER OVERRIDE SWITCH	DIMMER ACTIVE: GROUND	DIMMER INACTIVE: 12V
LB55-23	IN	DIMMER OVERRIDE SWITCH	LIGHTS ON: GROUND	LIGHTS OFF: APPROX .04V

INSTRUMENT PACK

CODE	IN / OUT	CIRCUIT	ACTIVE	INACTIVE
LB134-3	IN	LOGIC GROUND	GROUND	GROUND
LB134-4	IN	LOGIC GROUND	GROUND	GROUND
LB134-10	IN	GENERAL LIGHTING	12V	0V
LB135-38	IN	LCD MESSAGE DISPLAY LIGHTING	12V	0V

FACIA SWITCH PACK

CODE	IN / OUT	CIRCUIT	ACTIVE	INACTIVE
LB49-1	IN	FACIA LOCATE ILLUMINATION	DIMMER OUTPUT: 4.5-12V	0V
LB49-2	OUT	GEAR POSITION LIGHTING	KEY ON: 10V	KEY OFF: 0V
LB49-14	OUT	LIGHTS ON SIGNAL TO CPU	LIGHTS ON: GROUND	LIGHTS OFF: APPROX .07V
LB49-18	OUT	AUXILIARY SIDE LIGHT RELAY	GROUND	12V
LB49-20	IN	LOGIC GROUND	GROUND	GROUND
LB49-21	OUT	LIGHTS ON SIGNAL TO DIMMER CONTROL	LIGHTS ON: GROUND	LIGHTS OFF: APPROX .04V
LB49-22	IN	IGNITION POWER	12V	0V
LB49-24	IN	BATTERY POWER	12V	12V
LB132-3	IN	FACIA LOCATE ILLUMINATION	DIMMER OUTPUT: 4.5-12V	0V
LB132-16	IN	KEYBOARD ILLUMINATION	BUTTON IN: GROUND	0V
LB132-17	OUT	KEYBOARD ILLUMINATION	TIMED GROUND	12V



BATTERY POWER

FIG 1



IGNITION POWER

FIG 2



IGNITION SWITCHED GROUND

FIG 3



LOGIC GROUND

FIG 4



FIG NUMBER REFERENCE

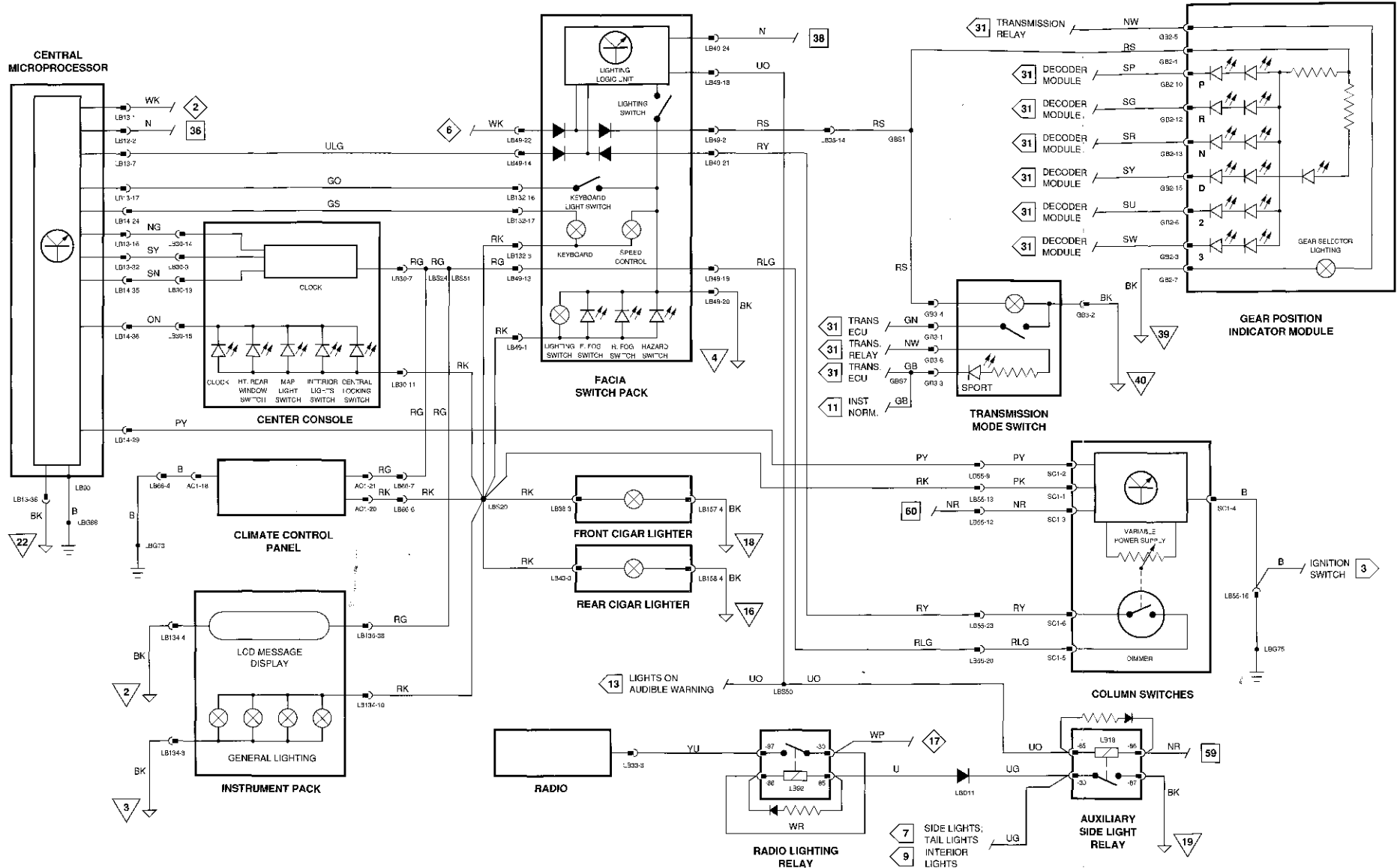


FIG 11

INSTRUMENTATION: NORMAL DISPLAY

COMPONENTS

DESCRIPTION	LOCATION	ACCESS
COOLANT TEMPERATURE TRANSMITTER	THERMOSTAT HOUSING	ENGINE COMPARTMENT, LF
DIAGNOSTIC SOCKET	DRIVER FOOTWELL, 'A' POST	TRIM PANEL
FUEL LEVEL TRANSMITTER	FUEL TANK	TRUNK BULKHEAD TRIM PANEL
INSTRUMENT PACK	DRIVER SIDE DASH	DASH UNDER PANEL, LEFT
OIL PRESSURE TRANSMITTER	ENGINE BLOCK, LEFT	ENGINE COMPARTMENT, UNDER
SPEED SENSOR	DIFFERENTIAL SHAFT, LEFT OUTPUT	REAR SUBFRAME, UNDER
TRIP COMPUTER KEYBOARD	FACIA SWITCH PACK	DASH UNDER PANEL, LEFT

CONNECTORS

CODE	DESCRIPTION	LOCATION / INTERFACE
LB27	6-WAY PMHD (YELLOW)	RIGHT DASH UNDER PANEL / LI HARNESS
LB35	15-WAY PMHD (GREEN)	CENTER CONSOLE / TRANSMISSION MODE SWITCH
LB132	24-WAY PMHD (BROWN)	LEFT UNDER DASH PANEL / FACIA SWITCH PACK
LB134	24-WAY GROTE (BLACK)	BEHIND INSTRUMENT PACK / INSTRUMENT PACK
LB135	48-WAY GROTE (BLACK)	BEHIND INSTRUMENT PACK / INSTRUMENT PACK
LB145	6-WAY PM4 (BROWN)	DRIVER FOOTWELL / INSTRUMENT PACK SERIAL PORT
LI27	EYELET (BLACK)	ENGINE COMPARTMENT / IGNITION COIL
LI52	.250 LUCAR	THERMOSTAT HOUSING, ENGINE, LEFT FRONT / COOLANT TEMP. TRANSMITTER
LI53	.250 LUCAR	ENGINE, LEFT / OIL PRESSURE TRANSMITTER
LS1	36-WAY PMHD (BLACK)	LEFT 'A' POST, UNDER DASH PANEL / LB HARNESS
LS30	3-WAY PM4 (BLUE)	UNDER AIR FILTER HOUSING / LOAD DUMP MODULE
RS7	9-WAY PM4 (YELLOW)	ENGINE COMPARTMENT, ABOVE IGNITION COIL / LI HARNESS
RS22	36-WAYPMHD (BLACK)	RIGHT 'A' POST, UNDER DASH PANEL / LB HARNESS
RS24	24-WAY PMHD (YELLOW)	RIGHT 'A' POST, UNDER DASH PANEL / LB HARNESS
RS34	.250 BLADE RECEPTACLE	TRUNK BULKHEAD TRIM / FUEL TANK SENDER
RS58	4-WAY PMHD (BLACK)	TRUNK BULKHEAD TRIM / SPEED SENSOR
RS65	3-WAY PM4 (YELLOW)	NOT USED
RS72	.250 BLADE RECEPTACLE	TRUNK BULKHEAD TRIM / FUEL TANK SENDER

INPUTS / OUTPUTS

INSTRUMENT PACK

CODE	IN / OUT	CIRCUIT	ACTIVE	INACTIVE
LB134-1	IN	FUEL FLOW	PULSED SIGNAL	0V
LB134-2	IN	IGNITION SWITCHED POWER	12V	0V
LB134-3	IN	LOGIC GROUND	GROUND	GROUND
LB134-4	IN	LOGIC GROUND	GROUND	GROUND
LB134-5	OUT	DIAGNOSTIC SOCKET	GROUND	GROUND
LB134-13	OUT	DIAGNOSTIC SOCKET	GROUND	GROUND
LB134-14	OUT	DIAGNOSTIC SOCKET	GROUND	GROUND
LB134-15	IN	ROAD SPEED SENSOR	PULSED SIGNAL	2.5V
LB134-16	IN	ROAD SPEED SENSOR GROUND	GROUND	GROUND
LB134-17	IN	ROAD SPEED SENSOR GROUND	GROUND	GROUND
LB134-18	IN	BATTERY CHARGE WARNINGS	WARNING LIT: 1.5V	WARNING OUT: 13.5V
LB134-19	IN	COOLANT TEMPERATURE TRANSMITTER	MAX READING: GROUND	MIN READING: 5V
LB134-20	IN	FUEL LEVEL TRANSMITTER	MAX READING: GROUND	MIN READING: 5V
LB134-21	IN	OIL PRESSURE TRANSMITTER	MAX READING: GROUND	MIN READING: GROUND
LB134-24	IN	TACHOMETER	PULSED SIGNAL	12V
LB135-2	OUT	ROAD SPEED SENSOR OUTPUT	PULSED SIGNAL	5V
LB135-9	OUT	TRIP COMPUTER GROUND	GROUND	GROUND
LB135-14	IN	GEARBOX SPORT MODE WARNING	GROUND	5V
LB135-24	IN	HIGH BEAM WARNING	GROUND	5V
LB135-25	IN	AVERAGE SPEED	GROUND	5V
LB135-26	IN	AVERAGE FUEL MPG	GROUND	5V
LB135-27	IN	TOTAL FUEL USED	GROUND	5V
LB135-28	IN	TRIP COMPUTER RANGE	GROUND	5V
LB135-29	IN	TRIP MEMORY CLEAR	GROUND	5V
LB135-30	IN	VCM CONTROL	GROUND	5V
LB135-31	IN	TRIP INSTANT FUEL USED	GROUND	5V
LB135-32	IN	TRIP TOTAL DISTANCE	GROUND	5V
LB135-39	NOT USED			
LB135-40	IN	TURN SIGNAL—LEFT	GROUND	5V
LB135-41	IN	TURN SIGNAL—RIGHT	GROUND	5V
LB135-42	IN	MPH / KILOMETER SELECT	GROUND	5V

SPEED SENSOR

CODE	IN / OUT	CIRCUIT	ACTIVE	INACTIVE
RS58-1	IN	POWER GROUND	GROUND	GROUND
RS58-3	OUT	ROAD SPEED SIGNAL	GROUND TO A.C.V. SIGNAL	2.5V DC
RS58-4	OUT	ROAD SPEED SIGNAL	A.C.V. SIGNAL	2.5V DC

 BATTERY POWER

FIG 1

 IGNITION POWER

FIG 2

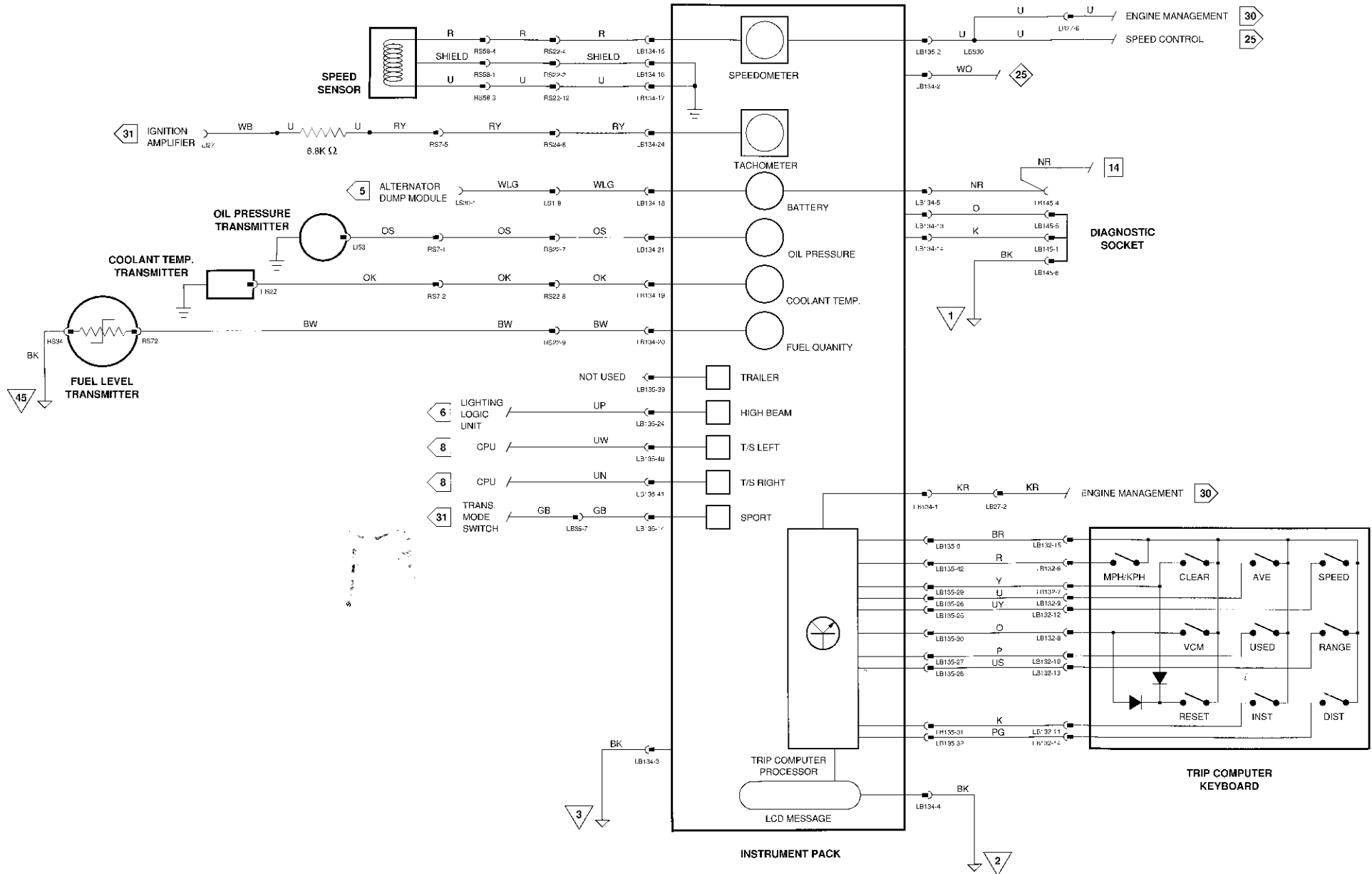
 IGNITION SWITCHED GROUND

FIG 3

 LOGIC GROUND

FIG 4

 FIG NUMBER REFERENCE



COMPONENTS

DESCRIPTION	LOCATION	ACCESS
CENTRAL MICROPROCESSOR	BEHIND GLOVE BOX	UNDER DASH PANEL, RIGHT
DOOR SWITCH	DOOR LATCH	DOOR TRIM LOWER PANEL
INSTRUMENT PACK	DRIVER SIDE DASH	DASH UNDER PANEL, LEFT
LOW COOLANT SENSOR	RADIATOR HEADER TANK	ENGINE COMPARTMENT, LEFT
PARK BRAKE SWITCH	PARK BRAKE LEVER	UNDER DRIVER SEAT
SEAT BELT WARNING LIGHT	FACIA SWITCH PACK, LEFT	DASH UNDER PANEL, LEFT
TRUNK SWITCH	TRUNK LID LATCH	TRUNK LID REAR PANEL
WASHER FLUID LEVEL SENSOR	WASHER FLUID BOTTLE	RIGHT VALANCE UNDER PANEL

CONNECTORS

CODE	DESCRIPTION	LOCATION / INTERFACE
DD9	6-WAY PM4 (BLACK)	DOOR, INNER / DOOR LATCH SWITCH
FA1	3-WAY PLUG (BLACK)	FRONT BRAKE CALIPER / BRAKE PAD
LB14	36-WAY PMHD (YELLOW)	RIGHT DASH UNDER PANEL / CPU
LB27	6-WAY PMHD (YELLOW)	RIGHT DASH UNDER PANEL / LI HARNESS
LB31	2-WAY PMHD (YELLOW)	CONSOLE LEFT CARPET / PARK BRAKE SWITCH
LB35	15-WAY PMHD (GREEN)	CENTER CONSOLE / TRANSMISSION ECU
LB56	2-WAY PMHD (YELLOW)	DRIVER FOOTWELL, PEDAL BOX / BRAKE SWITCH
LB134	24-WAY GROTE (BLACK)	BEHIND INSTRUMENT PACK / INSTRUMENT PACK
LB135	48-WAY GROTE (BLACK)	BEHIND INSTRUMENT PACK / INSTRUMENT PACK
LB151	5-WAY AMP (BLACK)	RIGHT UNDER DASH PANEL / ALARM SYSTEM FUTURE USE
LB152	5-WAY AMP (BLACK)	RIGHT UNDER DASH PANEL / ALARM SYSTEM FUTURE USE
LS1	36-WAY PMHD (BLACK)	LEFT 'A' POST, UNDER DASH PANEL / LB HARNESS
LS8	6-WAY PMHD (YELLOW)	LEFT 'B/C' POST LINER / RD HARNESS
LS24	3-WAY PM4 (BLACK)	ENGINE COMPARTMENT/ COOLANT LEVEL SENSOR
LS25	3-WAY PM4 (BLACK)	ENGINE COMPARTMENT, LF INNER FENDER / FA HARNESS
PD2	6-WAY PM4 (BLACK)	DOOR, INNER / DOOR LATCH SWITCH
RA2	3-WAY PLUG (BLACK)	REAR BRAKE CALIPER / BRAKE PAD
RD2	6-WAY PM4 (BLUE)	DOOR, INNER / DOOR LATCH SWITCH
RS11	2-WAY PM4 (GREEN)	BEHIND RIGHT FRONT VALANCE / WASHER FLUID LEVEL SENSOR
RS20	2-WAY PM4 (BLACK)	ENGINE COMPARTMENT, RF INNER FENDER / FA HARNESS
RS22	36-WAY PMHD (BLACK)	RIGHT 'A' POST, UNDER DASH PANEL / LB HARNESS
RS24	24-WAY PMHD (YELLOW)	RIGHT 'A' POST, UNDER DASH PANEL / LB HARNESS
RS32	6-WAY PMHD (YELLOW)	RIGHT LOWER 'B/C' POST TRIM / RD HARNESS
RS35	8-WAY PM4 (BLACK)	TRUNK BULKHEAD TRIM / RA HARNESS
RS59	2-WAY ITT SOCKET (BLACK)	TRUNK LID INNER PANEL / TRUNK WARNING SWITCH

INPUTS / OUTPUTS

CENTRAL MICROPROCESSOR

CODE	IN / OUT	CIRCUIT	ACTIVE	INACTIVE
LB14-2	OUT	TURN SIGNAL BULB FAIL	12V	GROUND
LB14-3	OUT	VCM SEAT BELT WARNING	GROUND	12V

INSTRUMENT PACK

CODE	IN / OUT	CIRCUIT	ACTIVE	INACTIVE
LB134-2	IN	IGNITION SWITCHED POWER	12V	0V
LB135-9	OUT	TRIP COMPUTER GROUND	GROUND	GROUND
LB135-10	IN	BRAKE FLUID LOW	GROUND	5V
LB135-11	IN	BRAKE PAD LOW (BRAKE ON)	GROUND	5V
LB135-12	IN	CIRCUIT FAIL: FUSE 3	GROUND	PASS 8V
LB135-13	IN	WASHER FLUID LOW	12V	GROUND
LB135-15	IN	FASTEN SEAT BELT WARNING	GROUND	12V
LB135-16	IN	TRUNK OPEN WARNING	GROUND	12V
LB135-19	IN	ABS FAIL WARNING	GROUND	12V
LB135-20	IN	DOOR OPEN — LEFT REAR	GROUND	12V
LB135-21	IN	DOOR OPEN — RIGHT REAR	GROUND	12V
LB135-22	IN	FUELING FAULT	GROUND	12V
LB135-31	OUT	BRAKE PAD LOW	12V	12V
LB135-34	IN	BRAKE PAD LOW	FAIL: 0V	PASS: 12V
LB135-35	IN	CIRCUIT FAIL: FUSE 1	GROUND	PASS: 8V
LB135-36	IN	CIRCUIT FAIL: FUSE 2	GROUND	PASS: 8V
LB135-37	IN	COOLANT LEVEL LOW	12V	GROUND
LB135-40	IN	BULB FAIL — TURN SIGNAL	12V	GROUND
LB135-44	IN	TRANSMISSION FAULT	12V	GROUND
LB135-45	IN	BRAKE FAILURE	12V	0V
LB135-46	IN	DOOR OPEN — DRIVER	GROUND	12V
LB135-47	IN	DOOR OPEN — PASSENGER	GROUND	12V
LB135-48	IN	ANTI-LOCK FAIL	GROUND	12V

 BATTERY POWER

FIG 1

 IGNITION POWER

FIG 2

 IGNITION SWITCHED GROUND

FIG 3


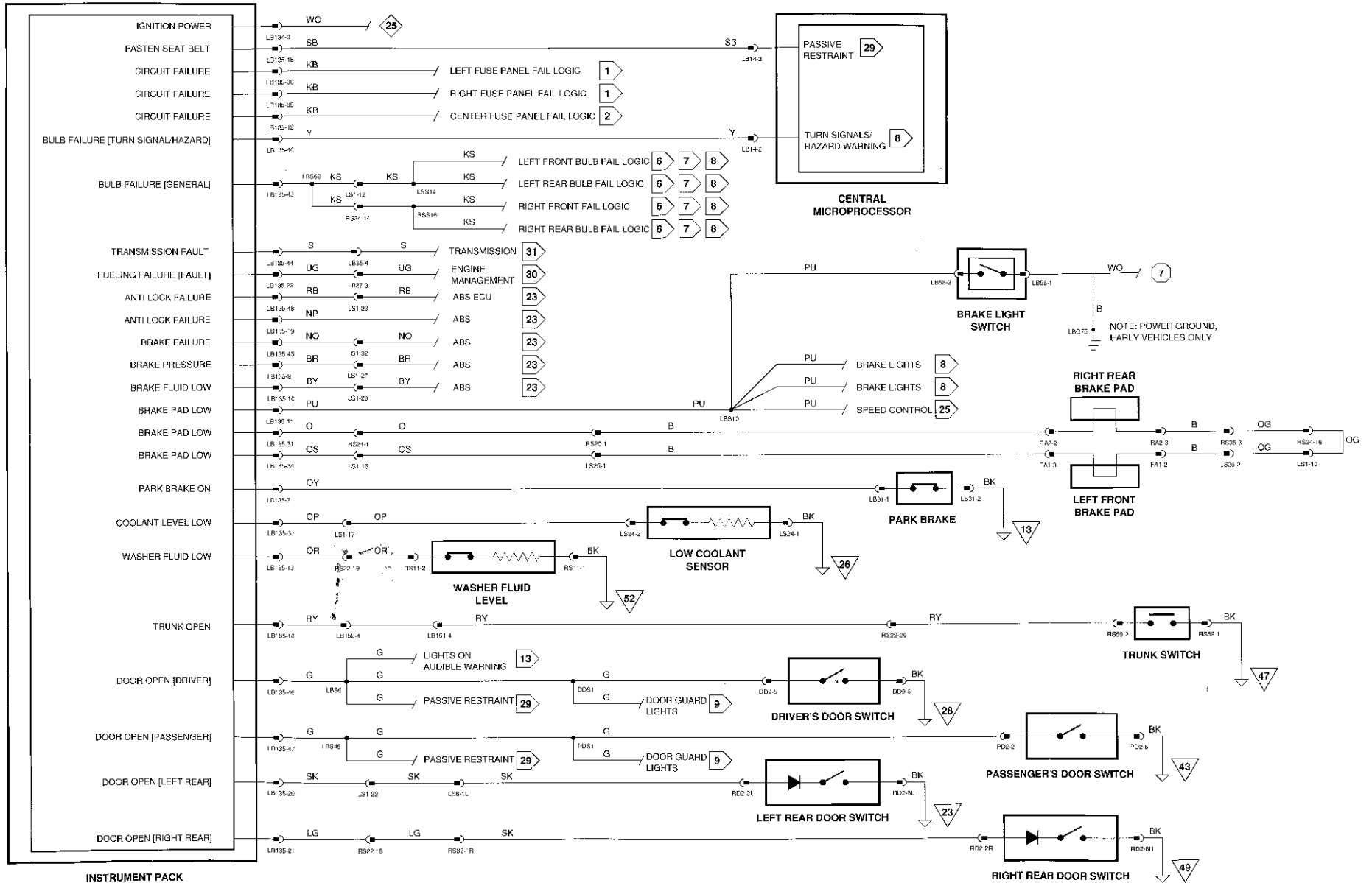
 LOGIC GROUND

FIG 4

 FIG NUMBER REFERENCE



COMPONENTS

DESCRIPTION	LOCATION	ACCESS
AUDIBLE WARNING MODULE	RIGHT COMPONENT PANEL	RIGHT UNDER DASH PANEL
CENTRAL MICROPROCESSOR	BEHIND GLOVE BOX	UNDER DASH PANEL, RIGHT
COLUMN SWITCHES	STEERING COLUMN	STEERING COLUMN COVER
DIODE—LBD7	BEHIND DASH GLOVE BOX	DASH GLOVE BOX ASSEMBLY
DOOR SWITCH	DOOR LATCH	DOOR LOWER TRIM PANEL
FACIA SWITCH PACK	ABOVE STEERING COLUMN	DASH UNDER PANEL, LEFT
LIGHTS ON AUDIBLE WARNING MODULE	DASH LEFT END BRACKET	LEFT DASH UNDER PANEL
RELAY—A/C AND RADIO (LB16)	COMPONENT PANEL	RIGHT DASH UNDER PANEL

CONNECTORS

CODE	DESCRIPTION	LOCATION / INTERFACE
DD9	6-WAY PM4 (BLACK)	DOOR, INNER / DOOR LATCH SWITCH
LB12	3-WAY PM4 (BLACK)	RIGHT DASH UNDER PANEL / CPU
LB13	36-WAY PMHD (BLACK)	RIGHT DASH UNDER PANEL / CPU
LB14	36-WAY PMHD (YELLOW)	RIGHT DASH UNDER PANEL / CPU
LB16	RELAY BASE (BLACK)	RIGHT DASH UNDER PANEL / A/C AND RADIO RELAY
LB35	15-WAY PMHD (GREEN)	CENTER CONSOLE / LINEAR GEAR SWITCH
LB49	24-WAY PMHD (GREEN)	LEFT DASH UNDER PANEL / FACIA SWITCH PACK
LB55	24-WAY PMHD (BLACK)	LEFT DASH UNDER PANEL / COLUMN SWITCHES
LB58	15-WAY PMHD (BLACK)	RIGHT DASH UNDER PANEL / AUDIBLE WARNING MODULE
LB61	36-WAY PMHD (BLACK)	INSIDE LEFT 'A' POST / DD HARNESS
LB147	RELAY BASE (BLACK)	LEFT DASH UNDER PANEL / LIGHTS ON AUDIBLE WARNING MODULE
SC4	6-WAY PMHD (BROWN)	STEERING COLUMN COVER / SPEAKER, DI CANCEL SWITCH
SC6	6-WAY PMHD (VIOLET)	STEERING COLUMN COVER / IGNITION KEY SWITCH

GROUND

CODE	DESCRIPTION	LOCATION / INTERFACE
LBG75	EYELET	BULKHEAD, BEHIND LEFT BLOWER AIR DUCT / POWER GROUND
LBG88	EYELET	PASSENGER FOOTWELL, RIGHT 'A' POST / POWER GROUND

INPUTS / OUTPUTS

AUDIBLE WARNING MODULE

CODE	IN / OUT	CIRCUIT	ACTIVE	INACTIVE
LB58-1	IN	TURN SIGNAL AUDIBLE WARNING	STAGGERED PULSE TO GROUND: 0V	5V
LB58-2	IN	SEAT BELT / GEAR POSITION AUDIBLE WARNING	TIMED PULSE TO GROUND: 0V	5V
LB58-3	IN	KEY INSERT AUDIBLE WARNING	GROUND: 0V	5V
LB58-4	IN	POWER GROUND	GROUND	GROUND
LB58-5	OUT	SPEAKER DRIVE	SIGNAL VOLTAGE	0V
LB58-6	OUT	SPEAKER DRIVE	GROUND	GROUND
LB58-7	IN	BATTERY POWER	12V	12V
LB58-15	IN	LOGIC GROUND	GROUND	GROUND

CENTRAL MICROPROCESSOR

CODE	IN / OUT	CIRCUIT	ACTIVE	INACTIVE
LB12-2	IN	BATTERY POWER	12V	12V
LB13-1	IN	IGNITION POWER	12V	0V
LB13-19	IN	IGNITION KEY WARNING	KEY IN: GROUND	KEY OUT: 1V
LB13-29	IN	AUDIBLE WARNING 'NOT IN PARK'	FAIL: OPEN CIRCUIT	PASS: GROUND
LB13-36	IN	LOGIC GROUND	GROUND	GROUND
LB14-14	OUT	TURN SIGNAL AUDIBLE WARNING	STAGGERED PULSE TO GROUND	5V
LB14-15	OUT	SEAT BELT / GEAR POSITION AUDIBLE WARNING	TIMED / STAGGERED PULSE TO GROUND	5V
LB14-16	OUT	KEY INSERT AUDIBLE WARNING	GROUND: 0V	5V
LB14-18	NOT USED			

COLUMN SWITCHES

CODE	IN / OUT	CIRCUIT	ACTIVE	INACTIVE
LB55-18	IN	SPEAKER DRIVE AUDIBLE WARNING	SIGNAL VOLTAGE	0V
LB55-19	OUT	KEY INSERT SWITCH	KEY IN: GROUND	KEY OUT: 1V
LB55-22	IN	SPEAKER DRIVE—AUDIBLE WARNING	GROUND	GROUND

LIGHTING LOGIC UNIT

CODE	IN / OUT	CIRCUIT	ACTIVE	INACTIVE
LB49-18	OUT	AUXILIARY SIDE LIGHT RELAY	GROUND	12V
LB49-20	IN	LOGIC GROUND	GROUND	GROUND
LB49-24	IN	BATTERY POWER	12V	12V

LIGHTS ON AUDIBLE WARNING MODULE

CODE	IN / OUT	CIRCUIT	ACTIVE	INACTIVE
LB147-30	IN	KEY SWITCH	12V	0V
LB147-85	IN	IGNITION OFF POWER	IGN. OFF: 12V	IGN. ON: 0V
LB147-86	IN	LIGHTS ON INPUT	LIGHTS ON: GROUND	LIGHTS OFF: 12V
LB147-87	OUT	DOOR OPEN — DRIVER	DOOR OPEN: GROUND	0V



BATTERY POWER

FIG 1



IGNITION POWER

FIG 2



IGNITION SWITCHED GROUND

FIG 3

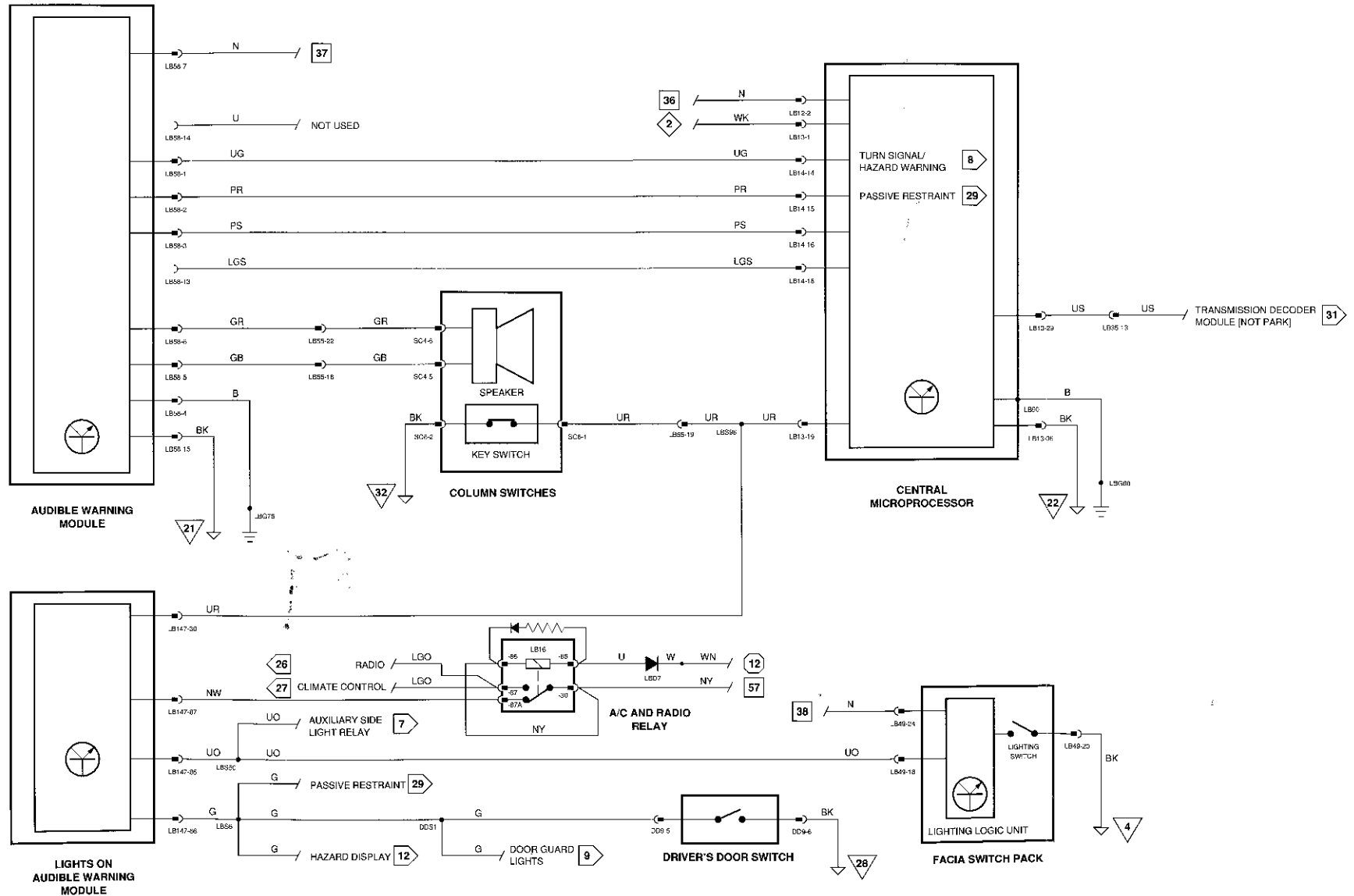


LOGIC GROUND

FIG 4



FIG NUMBER REFERENCE



COMPONENTS

DESCRIPTION	LOCATION	ACCESS
CENTER CONSOLE	CENTER CONSOLE	CONSOLE SKI SLOPE PANEL
CENTRAL MICROPROCESSOR	BEHIND GLOVE BOX	UNDER DASH PANEL, RIGHT
DIODE—LBD1	BULKHEAD, LEFT	DASH BOARD
DOOR LOCK MOTOR	INSIDE DOOR	DOOR LOWER TRIM PANEL
DOOR LOCK CONTROL UNIT	RIGHT COMPONENT PANEL	RIGHT UNDER DASH PANEL
DOOR LOCK SWITCH	INTEGRAL WITH LOCK MOTOR	
INFRARED RECEIVER	HEAD LINER, CENTER FRONT	ROOF CONSOLE PANEL
KEY BARREL SWITCH	FRONT DOOR HANDLE BASE PLATE	DOOR LOWER TRIM PANEL
RELAY—FILLER FLAP (LS11)	TRUNK, RIGHT FRONT	TRIM PANEL
TRUNK LOCK	TRUNK LID LATCH	TRUNK LID, INNER
TRUNK RELEASE	TRUNK LID LATCH	TRUNK LID, INNER
TRUNK RELEASE SWITCH	GLOVE BOX	GLOVE BOX
TRUNK SECURITY SWITCH	TRUNK LID	TRUNK LID, INNER

CONNECTORS

CODE	DESCRIPTION	LOCATION / INTERFACE
DD6	6-WAY PM4 (YELLOW)	DOOR, INNER / LOCK MOTOR
DD15	3-WAY PMHD YELLOW	DRIVER DOOR, INNER / KEY BARREL MICROSWITCH
LB8	2-WAY PMHD (BLACK)	INSIDE RIGHT 'A' POST / PD HARNESS
LB12	3-WAY PM4 (BLACK)	RIGHT DASH UNDER PANEL / CPU
LB13	36-WAY PMHD (BLACK)	RIGHT DASH UNDER PANEL / CPU
LB14	36-WAY PMHD (YELLOW)	RIGHT DASH UNDER PANEL / CPU
LB15	9-WAY KIEKERT CONNECTOR (WHITE)	RIGHT DASH UNDER PANEL / DOOR LOCK CONTROL UNIT
LB30	15-WAY PMHD (BLUE)	CENTER CONSOLE / CENTER CONSOLE SWITCH PANEL
LB61	36-WAY PMHD (BLACK)	INSIDE LEFT 'A' POST / DD HARNESS
LB64	3-WAY TTS SOCKET (GREY)	DRIVER FOOTWELL, 'A' POST / INERTIA SWITCH
LB114	8-WAY POSITIVE LOCK PLUG	ROOF CONSOLE PANEL / INFRA-RED RECEIVER
LB146	3-WAY PMHD (YELLOW)	RIGHT DASH UNDER PANEL / TRUNK RELEASE SWITCH
LB151	5-WAY AMP (BLACK)	RIGHT DASH UNDER PANEL / ALARM SYSTEM FUTURE USE
LB152	5-WAY AMP (BLACK)	RIGHT UNDER DASH PANEL / ALARM SYSTEM FUTURE USE
LS2	15-WAY PMHD (YELLOW)	LEFT 'A' POST, UNDER DASH PANEL / LB HARNESS
LS8	6-WAY PMHD (YELLOW)	LEFT 'B/C' POST LINER / RD HARNESS
PD5	6-WAY PM4 (YELLOW)	DOOR, INNER / LOCK MOTOR
PD18	3-WAY PMHD (BLACK)	PASSENGER DOOR, INNER / KEY BARREL MICROSWITCH
RD3	3-WAY PM4 (GREEN)	DOOR, INNER / LOCK MOTOR
RS22	36-WAY PMHD (BLACK)	RIGHT 'A' POST, UNDER DASH PANEL / LB HARNESS
RS32	6-WAY PMHD (YELLOW)	RIGHT LOWER 'B/C' POST TRIM / RD HARNESS
RS44	2-WAY PMHD (BLACK)	INNER TRUNK LID PANEL / TRUNK LOCK
RS132	3-WAY PMHD (BLACK)	TRUNK LID / TRUNK SECURITY SWITCH
RS133	3-WAY PMHD (YELLOW)	TRUNK LID / TRUNK RELEASE MOTOR

GROUNDINGS

CODE	DESCRIPTION	LOCATION / INTERFACE
LBG80	EYELET	PASSENGER FOOTWELL, RIGHT 'A' POST / POWER GROUND
LBG88	EYELET	RIGHT BULKHEAD, BEHIND DASH / POWER GROUND
RSG55	EYELET	BEHIND TRUNK TRIM PANEL, RIGHT REAR / POWER GROUND

INPUTS / OUTPUTS

CENTRAL MICROPROCESSOR

CODE	IN / OUT	CIRCUIT	ACTIVE	INACTIVE
LB12-2	IN	BATTERY POWER	12V	12V
LB13-2	IN	DOOR KEY SWITCHES	UNLOCK: GROUND	OPEN CIRCUIT
LB13-33	IN	CENTRAL LOCK SWITCH	GROUND	OPEN CIRCUIT
LB13-36	IN	LOGIC GROUND	GROUND	GROUND
LB14-4	OUT	PANIC LOCK	GROUND: 0V	7-9V

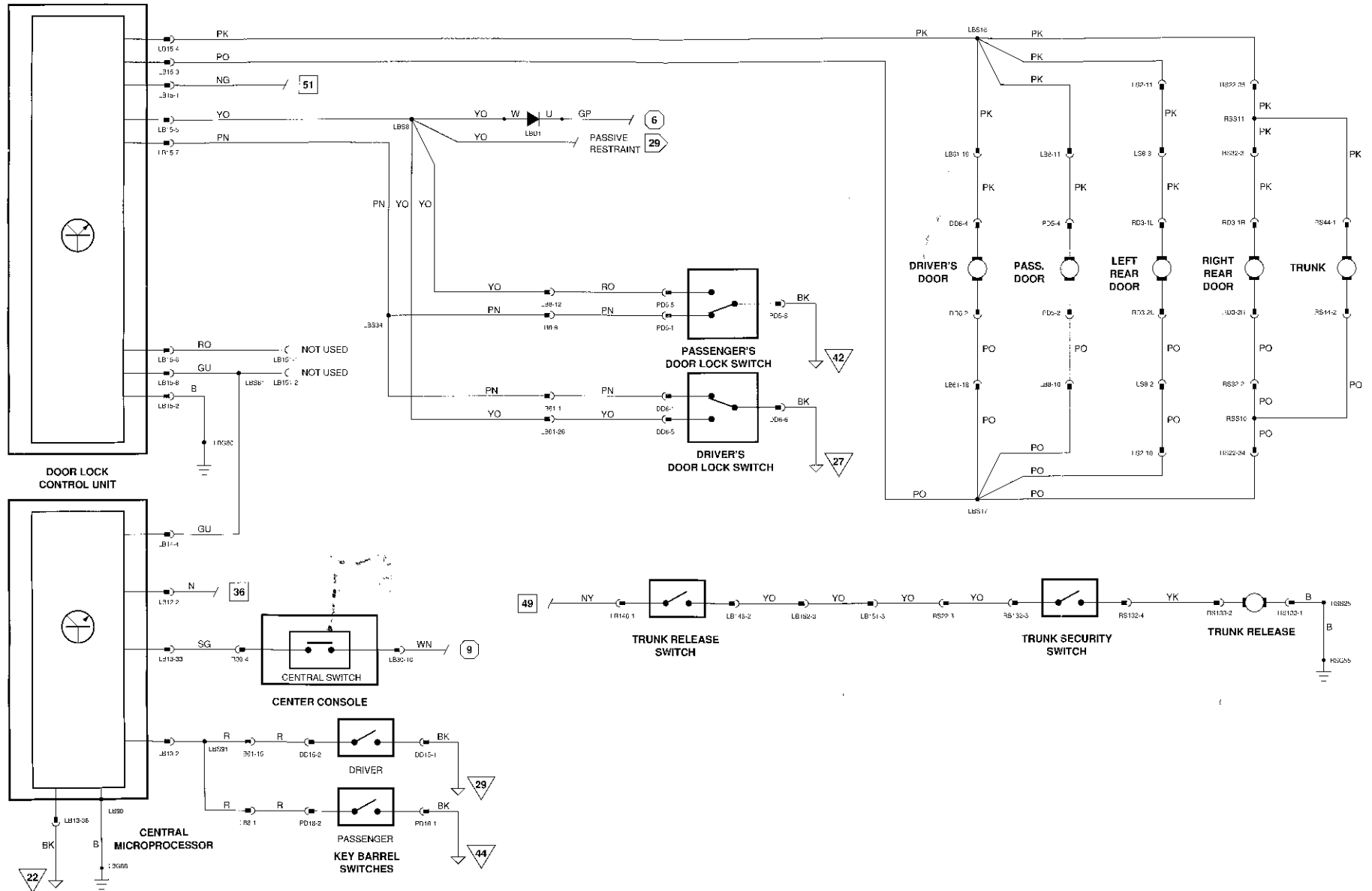
CENTER CONSOLE SWITCHES

CODE	IN / OUT	CIRCUIT	ACTIVE	INACTIVE
LB30-4	OUT	CENTRAL LOCKING SWITCH	GROUND	OPEN CIRCUIT
LB30-10	IN	IGNITION SWITCHED GROUND	KEY ON-AUX.: GROUND	KEY OFF-START: OPEN CIRCUIT

DOOR LOCK CONTROL UNIT

CODE	IN / OUT	CIRCUIT	ACTIVE	INACTIVE
LB15-1	IN	BATTERY POWER	12V	12V
LB15-2	IN	POWER GROUND	GROUND	GROUND
LB15-3	OUT	LOCK MOTOR DRIVE	PULSED VOLTAGE TO PK	0V
LB15-4	OUT	LOCK MOTOR DRIVE	PULSED VOLTAGE TO PO	0V
LB15-5	IN	UNLOCK INPUT	GROUND ; 0V	7-9V
LB15-6	IN	INFRA-RED UNLOCK INPUT	PULSED GROUND: 0V	7-9V
LB15-7	IN	LOCK INPUT	GROUND: 0V	7-9V
LB15-8	IN	INFRA-RED AND PANIC LOCK INPUT	PULSED GROUND 0V	7-9V





COMPONENTS

DESCRIPTION	LOCATION	ACCESS
CENTER CONSOLE	CENTER CONSOLE	CONSOLE SKI SLOPE PANEL
CENTRAL MICROPROCESSOR	BEHIND GLOVE BOX	UNDER DASH PANEL, RIGHT
DOOR SWITCH PANEL	DOOR ARM REST	DOOR LOWER TRIM PANEL
KEY BARREL SWITCH	FRONT DOOR HANDLE BASE PLATE	DOOR LOWER TRIM PANEL
LIMIT SWITCH	SUNROOF RIGHT SLIDE RAIL	HEADLINER FRONT EDGE
SUN ROOF SWITCH PANEL	HEAD LINER, CENTER FRONT	ROOF CONSOLE PANEL
WINDOW LIFT MOTOR	INNER DOOR	DOOR LOWER TRIM PANEL

CONNECTORS

CODE	DESCRIPTION	LOCATION / INTERFACE
DD1	6-WAY PM4 (YELLOW)	DOOR TRIM, LOWER / DOOR SWITCH PANEL
DD2	24-WAY PMHD (YELLOW)	DOOR TRIM, LOWER / DOOR SWITCH PANEL
DD5	3-WAY PM4 (BLACK)	DOOR, INNER / WINDOW LIFT MOTOR
DD15	3-WAY PMHD (BLACK)	DRIVER DOOR, INNER / KEY BARREL MICROSWITCH
LB7	6-WAY PM4 (BLACK)	INSIDE RIGHT 'A' POST / PD HARNESS
LB8	24-WAY PMHD (BLACK)	INSIDE RIGHT 'A' POST / PD HARNESS
LB12	3-WAY PM4 (BLACK)	RIGHT DASH UNDER PANEL / CPU
LB13	36-WAY PMHD (BLACK)	RIGHT DASH UNDER PANEL / CPU
LB14	36-WAY PMHD (YELLOW)	RIGHT DASH UNDER PANEL / CPU
LB30	15-WAY PMHD (BLUE)	CENTER CONSOLE / CENTER CONSOLE SWITCH PANEL
LB61	36-WAY PMHD (BLACK)	INSIDE LEFT 'A' POST / DD HARNESS
LB62	6-WAY PM4 (BLACK)	INSIDE LEFT 'A' POST / DD HARNESS
LB133	3-WAY ECONOSEAL (WHITE)	ROOF CONSOLE PANEL / SUNROOF SWITCH
LS1	36-WAY PMHD (BLACK)	LEFT 'A' POST, UNDER DASH PANEL / LB HARNESS
LS2	15-WAY PMHD (YELLOW)	LEFT 'A' POST, UNDER DASH PANEL / LB HARNESS
LS3	9-WAY PM4 (BLACK)	LEFT 'A' POST, UNDER DASH PANEL / LB HARNESS
LS6	6-WAY PMHD (BLACK)	LEFT 'B/C' POST LINER / RD HARNESS
LS7	3-WAY ECONOSEAL (BLACK)	LEFT 'B/C' POST LINER / RD HARNESS
PD6	3-WAY PM4 (BLACK)	DOOR, INNER / WINDOW LIFT MOTOR
PD7	6-WAY PM4 (YELLOW)	DOOR TRIM, LOWER / DOOR SWITCH PANEL
PD8	6-WAY PMHD (YELLOW)	DOOR TRIM, LOWER / DOOR SWITCH PANEL
PD18	3-WAY PMHD (BLACK)	PASSENGER DOOR, INNER / KEY BARREL MICROSWITCH
RD4	3-WAY PM4 (BLACK)	DOOR, INNER / WINDOW LIFT MOTOR
RD5	6-WAY PMHD (YELLOW)	DOOR TRIM, UPPER / DOOR SWITCH PANEL
RD6	6-WAY PM4 (YELLOW)	DOOR TRIM, UPPER / DOOR SWITCH PANEL
RS22	36-WAY PMHD (BLACK)	RIGHT 'A' POST, UNDER DASH PANEL / LB HARNESS
RS30	3-WAY ECONOSEAL (BLACK)	RIGHT LOWER 'B/C' POST TRIM / RD HARNESS
RS31	6-WAY PMHD (BLACK)	RIGHT LOWER 'B/C' POST TRIM / RD HARNESS
RS87	6-WAY PM4 (BLACK)	RIGHT DASH UNDER PANEL, 'A' POST, HIGH / LB HARNESS
SR1	6-WAY PM4 (YELLOW)	ROOF, CENTER FRONT / MAP LIGHT PANEL

GROUNDS

CODE	DESCRIPTION	LOCATION / INTERFACE
LBG72	EYELET	DRIVER FOOTWELL, LEFT 'A' POST / POWER GROUND
LBG80	EYELET	PASSENGER FOOTWELL, 'A' POST / POWER GROUND
LBG88	EYELET	RIGHT BULKHEAD, BEHIND DASH / POWER GROUND

INPUTS / OUTPUTS

CENTER CONSOLE

CODE	IN / OUT	CIRCUIT	ACTIVE	INACTIVE
LB30-4	OUT	CENTRAL LOCKING SWITCH	GROUND	OPEN CIRCUIT
LB30-10	IN	IGNITION SWITCHED GROUND	KEY ON: AUX. GROUND	KEY OFF: OPEN CIRCUIT

CENTRAL MICROPROCESSOR

CODE	IN / OUT	CIRCUIT	ACTIVE	INACTIVE
LB12-2	IN	BATTERY POWER	12V	12V
LB13-2	IN	DOOR KEY SWITCHES	UNLOCK: GROUND	OPEN CIRCUIT
LB13-33	IN	CENTRAL LOCK SWITCH	GROUND	OPEN CIRCUIT
LB13-36	IN	LOGIC GROUND	GROUND	GROUND
LB14-5	OUT	LR WINDOW CLOSE	GROUND: 0V	12V
LB14-11	OUT	SUNROOF CLOSE	GROUND: 0V	12V
LB14-25	OUT	RR WINDOW CLOSE	GROUND: 0V	12V
LB14-27	OUT	DRIVER WINDOW CLOSE	GROUND: 0V	12V
LB14-28	OUT	PASSENGER WINDOW CLOSE	GROUND: 0V	12V



FIG 1



FIG 2



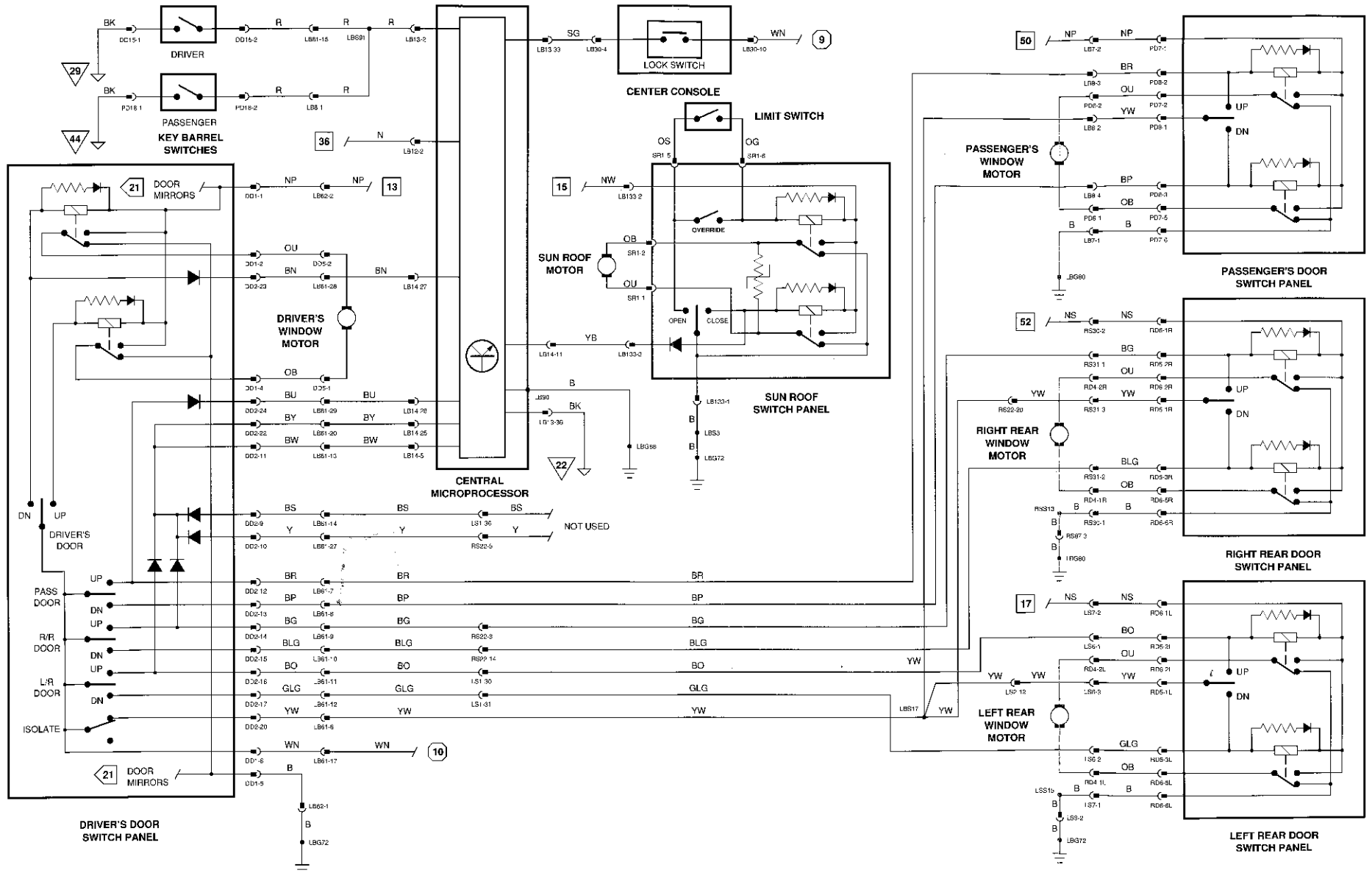
FIG 3



FIG 4



FIG 5



COMPONENTS

DESCRIPTION

COLUMN SWITCHES
 DIODE—LSD2
 HORNS
 RELAY—CIGAR LIGHTER (LB156)
 RELAY—HORN (LS34)

LOCATION

STEERING COLUMN
 TRUNK, LEFT FRONT, BELOW RELAYS
 BEHIND FRONT VALANCE, LOW
 TRUNK, RIGHT FRONT
 LEFT RADIATOR SUPPORT

ACCESS

STEERING COLUMN COVER
 LEFT TRUNK TRIM PANEL
 FRONT VALANCE
 TRIM PANEL
 ENGINE COMPARTMENT

CONNECTORS

CODE	DESCRIPTION	LOCATION / INTERFACE
LB38	4-WAY ECONOSEAL (WHITE)	CENTER CONSOLE / FRONT CIGAR LIGHTER
LB43	4-WAY ECONOSEAL (WHITE)	CENTER CONSOLE / REAR CIGAR LIGHTER
LB55	24-WAY PMHD (BLACK)	LEFT DASH UNDER PANEL / COLUMN SWITCHES
LB157	4-WAY ECONOSEAL (WHITE)	CENTER CONSOLE / FRONT CIGAR LIGHTER
LB158	4-WAY ECONOSEAL (WHITE)	CENTER CONSOLE / REAR CIGAR LIGHTER
LS2	15-WAY PMHD (YELLOW)	LEFT 'A' POST, UNDER DASH PANEL / LB HARNESS
LS34	RELAY BASE (BLACK)	LEFT RADIATOR SUPPORT / HORN RELAY
LS35	.250 BLADE RECEPTACLE	BEHIND FRONT VALANCE / HORN
LS36	.250 BLADE RECEPTACLE	BEHIND FRONT VALANCE / HORN
LS41	.250 BLADE RECEPTACLE	BEHIND FRONT VALANCE / HORN
LS89	.250 BLADE RECEPTACLE	BEHIND FRONT VALANCE / HORN
LS90	.250 BLADE RECEPTACLE	BEHIND FRONT VALANCE / HORN
SC3	6-WAY PMHD (BLUE)	STEERING COLUMN COVER / DIRECTIONAL SWITCH

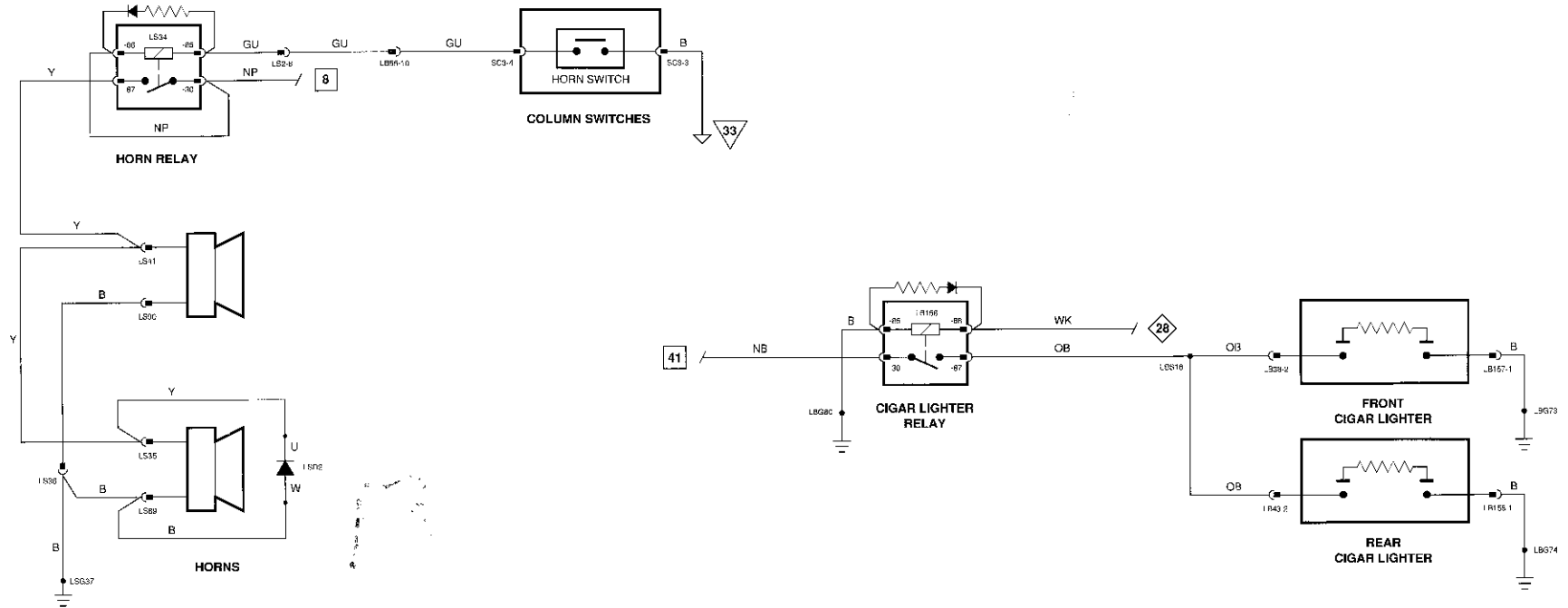
GROUNDS

CODE	DESCRIPTION	LOCATION / INTERFACE
LBG73	EYELET	CENTER CONSOLE ASHTRAY / POWER GROUND
LBG74	EYELET	CENTER CONSOLE ASHTRAY / POWER GROUND
LBG80	EYELET	PASSENGER FOOTWELL, RIGHT 'A' POST / POWER GROUND
LSG37	EYELET	ENGINE COMPARTMENT, LEFT FRONT / POWER GROUND

INPUTS / OUTPUTS

COLUMN SWITCHES

CODE	IN / OUT	CIRCUIT	ACTIVE	INACTIVE
LB55-10	OUT	HORN SWITCH	GROUND	12V



COMPONENTS

DESCRIPTION	LOCATION	ACCESS
DIODE—LBD12	CENTER CONSOLE, BELOW RADIO	RADIO AND CONSOLE SWITCH PANEL
DIODE—LBD13	CENTER CONSOLE, BELOW RADIO	RADIO AND CONSOLE SWITCH PANEL
DOOR SWITCH	DOOR LATCH	DOOR LOWER TRIM PANEL
DRIVER'S SEAT ENTRY SWITCH	DRIVER SEAT CUSHION	DRIVER SEAT CUSHION
FORE/AFT MOTOR	UNDER FRONT SEAT	FRONT SEAT CUSHION
RELAY—DRIVER'S SEAT (LB95)	CENTER CONSOLE SUPPORT STRUT, LEFT	CONSOLE SWITCH PANEL
RELAY—PASSENGER'S SEAT (LB96)	CENTER CONSOLE SUPPORT STRUT, RIGHT	CONSOLE SWITCH PANEL
RELAY—SEAT ADJUST (LB109)	COMPONENT PANEL	RIGHT DASH UNDER PANEL
RELAY—SEAT ENTRY (LLB164)	CENTER CONSOLE SUPPORT STRUT, LEFT	CONSOLE SWITCH PANEL
SEAT SWITCHES—DRIVER'S	CENTER CONSOLE, LS	CONSOLE SKI SLOPE PANEL
SEAT SWITCHES—PASSENGER'S	CENTER CONSOLE, RS	CONSOLE SKI SLOPE PANEL

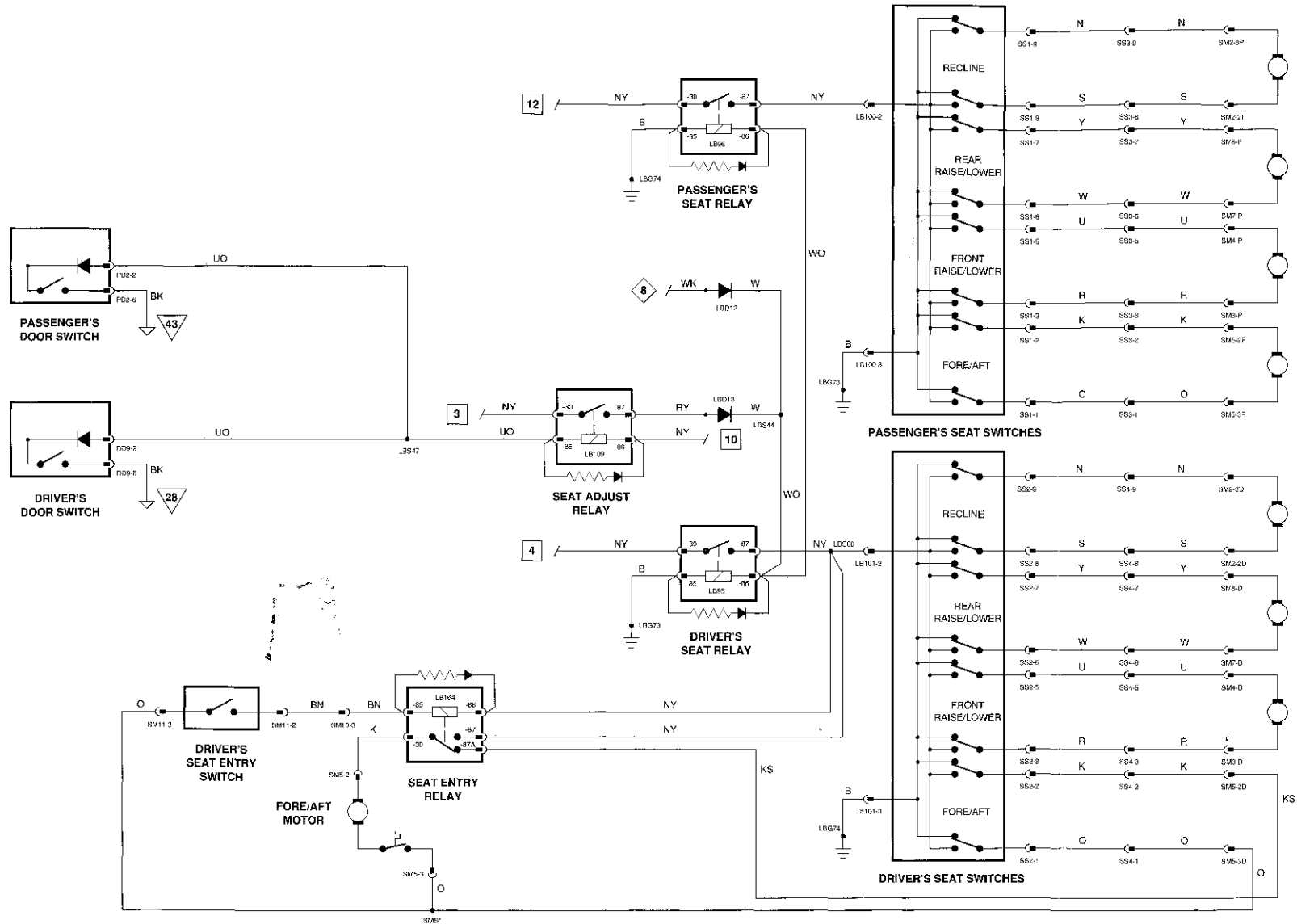
CONNECTORS

CODE	DESCRIPTION	LOCATION / INTERFACE
DD9	6-WAY PM4 (BLACK)	DOOR, INNER / DOOR LATCH SWITCH
LB95	RELAY BASE (WHITE)	CENTER CONSOLE, FRONT, SWITCH PANEL / LEFT SEAT RELAY
LB96	RELAY BASE (BLACK)	CENTER CONSOLE, FRONT, SWITCH PANEL / RIGHT SEAT RELAY
LB100	3-WAY ECONOSEAL (RED)	CONSOLE SKI SLOPE / PASSENGER SEAT SWITCH
LB101	3-WAY ECONOSEAL (RED)	CONSOLE SKI SLOPE / DRIVER SEAT SWITCHES
LB109	RELAY BASE (RED)	RIGHT DASH UNDER PANEL / SEAT ADJUST RELAY
LB164	RELAY BASE (GREEN)	UNDER SKI SLOPE PANEL / DRIVERS SEAT ENTRY RELAY
PD2	6-WAY PM4 (BLACK)	DOOR, INNER / DOOR LATCH SWITCH
SM2	2-WAY ECONOSEAL (BLACK)	UNDER SEAT CUSHION / RECLINE MOTOR
SM3	POSITIVE LOCK TERMINAL (RED)	UNDER SEAT CUSHION / FRONT RAISE/LOWER
SM4	POSITIVE LOCK TERMINAL	UNDER SEAT CUSHION / FRONT RAISE/LOWER
SM5	2-WAY ECONOSEAL (BLACK)	UNDER SEAT CUSHION / FORE/AFT
SM7	POSITIVE LOCK TERMINAL	UNDER SEAT CUSHION / REAR RAISE/LOWER
SM8	POSITIVE LOCK TERMINAL	UNDER SEAT CUSHION / REAR RAISE/LOWER
SM10	3-WAY ECONOSEAL (BLACK)	UNDER DRIVER SEAT AND CARPET / SEAT ENTRY RELAY
SM11	2-WAY ECONOSEAL (RED)	UNDER SEAT CUSHION / SEAT ENTRY SWITCH
SS1	9-WAY PM4 (VIOLET)	UNDER SKI SLOPE / PASSENGER SEAT SWITCH
SS2	9-WAY PM4 (VIOLET)	UNDER SKI SLOPE / DRIVER SEAT SWITCHES
SS3	9-WAY PM4 (VIOLET)	UNDER SEAT CUSHION, RIGHT / SM HARNESS
SS4	9-WAY PM4 (VIOLET)	UNDER SEAT CUSHION, LEFT / SM HARNESS

GROUNDINGS

CODE	DESCRIPTION	LOCATION / INTERFACE
LBG73	EYELET	CENTER CONSOLE ASHTRAY / POWER GROUND
LBG74	EYELET	CENTER CONSOLE ASHTRAY / POWER GROUND





COMPONENTS

DESCRIPTION	LOCATION	ACCESS
CENTRAL MICROPROCESSOR	BEHIND GLOVE BOX	UNDER DASH PANEL, RIGHT
SEAT BACK HEATER	FRONT SEAT BACK	FRONT SEAT CUSHION
SEAT CUSHION HEATER	FRONT SEAT CUSHION	FRONT SEAT CUSHION
SEAT SWITCH PACK—DRIVER'S	CENTER CONSOLE, LEFT	CONSOLE SKI SLOPE PANEL
SEAT SWITCH PACK—PASSENGER'S	CENTER CONSOLE, RIGHT	CONSOLE SKI SLOPE PANEL

CONNECTORS

CODE	DESCRIPTION	LOCATION / INTERFACE
CH1	2-WAY ECONOSEAL (BLACK)	UNDER SEAT CUSHION / CUSHION ELEMENT
HS1	3-WAY ECONOSEAL (BLACK)	UNDER SEAT CUSHION / SEAT HEATER
LB12	3-WAY PM4 (BLACK)	RIGHT DASH UNDER PANEL / CPU
LB13	36-WAY PMHD (BLACK)	RIGHT DASH UNDER PANEL / CPU
LB14	36-WAY PMHD (YELLOW)	RIGHT DASH UNDER PANEL / CPU
LB99	6-WAY PMHD (BLACK)	CENTER CONSOLE / PASSENGER SEAT HEATER SWITCH
LB48	6-WAY PMHD (BLACK)	CONSOLE SKI SLOPE PANEL / DRIVER SEAT HEATER SWITCH
LB97	3-WAY ECONOSEAL (YELLOW)	CONSOLE SKI SLOPE / DRIVER SEAT HEATER SWITCH
LB98	3-WAY ECONOSEAL (RED)	UNDER DRIVER SEAT / DRIVER HS HARNESS
LB99	3-WAY ECONOSEAL (YELLOW)	CONSOLE SKI SLOPE / PASSENGER SEAT HEATER SWITCH
LB102	3-WAY ECONOSEAL (RED)	UNDER PASSENGER SEAT / PASSENGER HS HARNESS
SQ1	2-WAY ECONOSEAL (BLACK)	UNDER SEAT CUSHION / SEAT BACK ELEMENT

GROUNDS

CODE	DESCRIPTION	LOCATION / INTERFACE
LBG73	EYELET	CENTER CONSOLE ASHTRAY / POWER GROUND
LBG74	EYELET	CENTER CONSOLE ASHTRAY / POWER GROUND
LBG88	EYELET	RIGHT BULKHEAD BEHIND DASH / POWER GROUND

INPUTS / OUTPUTS

CENTRAL MICROPROCESSOR

CODE	IN / OUT	CIRCUIT	ACTIVE	INACTIVE
LB12-2	IN	BATTERY POWER	12V	12V
LB13-1	IN	IGNITION POWER	12V	0V
LB13-25	IN	R/SEAT HEATER	GROUND	OPEN CIRCUIT
LB13-26	IN	L/SEAT HEATER	GROUND	OPEN CIRCUIT
LB13-36	IN	LOGIC GROUND	GROUND	GROUND
LB14-22	OUT	HEATED PASSENGER SEAT TIMER	TIMED GROUND: 0V	12V
LB14-23	OUT	HEATED DRIVER SEAT TIMER	TIMED GROUND: 0V	12V

 BATTERY POWER

FIG 1

 IGNITION POWER

FIG 2

 IGNITION SWITCHED GROUND

FIG 3


 LOGIC GROUND

FIG 4

 FIG NUMBER REFERENCE

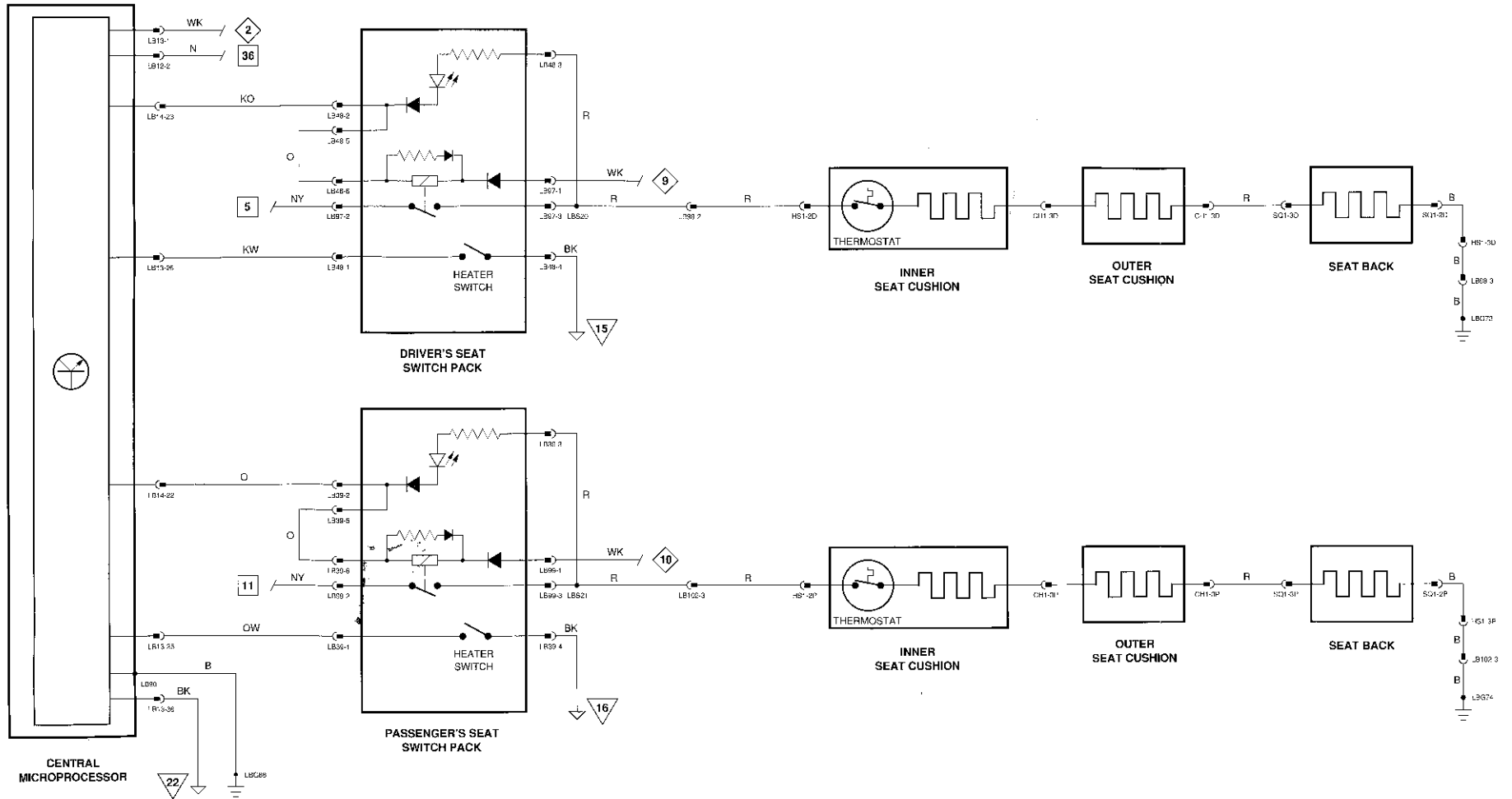


FIG 19

HEATERS:W/S WASHER, H/L WASHER, ENGINE BREATHER

COMPONENTS

DESCRIPTION

AMBIENT AIR TEMP. SENSOR
HEATER—ENGINE BREATHER
HEATER—HEADLIGHT WASHER
HEATER—WINDSHIELD WASHER
RELAY—BREATHER HEATER (LS59)

LOCATION

FRONT VALANCE, RIGHT SIDE
BREATHER HOSE, ABOVE INLET ELBOW
HEADLIGHT WASHER JET
WINDSHIELD WASHER JET
LEFT RADIATOR SUPPORT

ACCESS

FRONT VALANCE, BELOW
ENGINE COMPARTMENT
FRONT BUMPER
WINDSHIELD PLENUM
ENGINE COMPARTMENT

CONNECTORS

CODE	DESCRIPTION	LOCATION / INTERFACE
LB28	6-WAY PM4 (YELLOW)	RIGHT DASH UNDER PANEL / LI HARNESS
LI40	2-WAY BOSCH SOCKET (BLACK)	BREATHER HOSE, AIR INTAKE ELBOW / BREATHER HEATER
LS1	36-WAY PMHD (BLACK)	LEFT 'A' POST, UNDER DASH PANEL / LB HARNESS
LS3	9-WAY PM4 (BLACK)	LEFT 'A' POST, UNDER DASH PANEL / LB HARNESS
LS43	2-WAY ITT SOCKET (BLACK)	FRONT VALANCE, LEFT / HEADLIGHT WASHER JET
LS59	RELAY BASE (BLUE)	LEFT RADIATOR SUPPORT / HEATED BREATHER RELAY
RS15	2-WAY PM4 (BROWN)	BEHIND FRONT VALANCE, RS / POWER WASH TEMPERATURE SENSOR
RS22	36-WAY PMHD (BLACK)	RIGHT 'A' POST, UNDER DASH PANEL / LB HARNESS
RS99	2-WAY ITT CANNON (BLACK)	BEHIND FRONT VALANCE, RIGHT / WASHER JET
RS101	2-WAY ITT CANNON (BLACK)	BELOW PLENUM CHAMBER GRILLE /
RS102	2-WAY ITT CANNON (BLACK)	BELOW PLENUM CHAMBER GRILLE /

GROUNDS

CODE	DESCRIPTION	LOCATION / INTERFACE
LBG80	EYELET	PASSENGER FOOTWELL, RIGHT 'A' POST / POWER GROUND
LIG32	EYELET	INLET MANIFOLD, #2 CYLINDER FIRING STUD / POWER GROUND
LSG37	EYELET	ENGINE COMPARTMENT, LF / POWER GROUND
RSG53	EYELET	ENGINE COMPARTMENT, RF / POWER GROUND

 BATTERY POWER

FIG 1

 IGNITION POWER

FIG 2

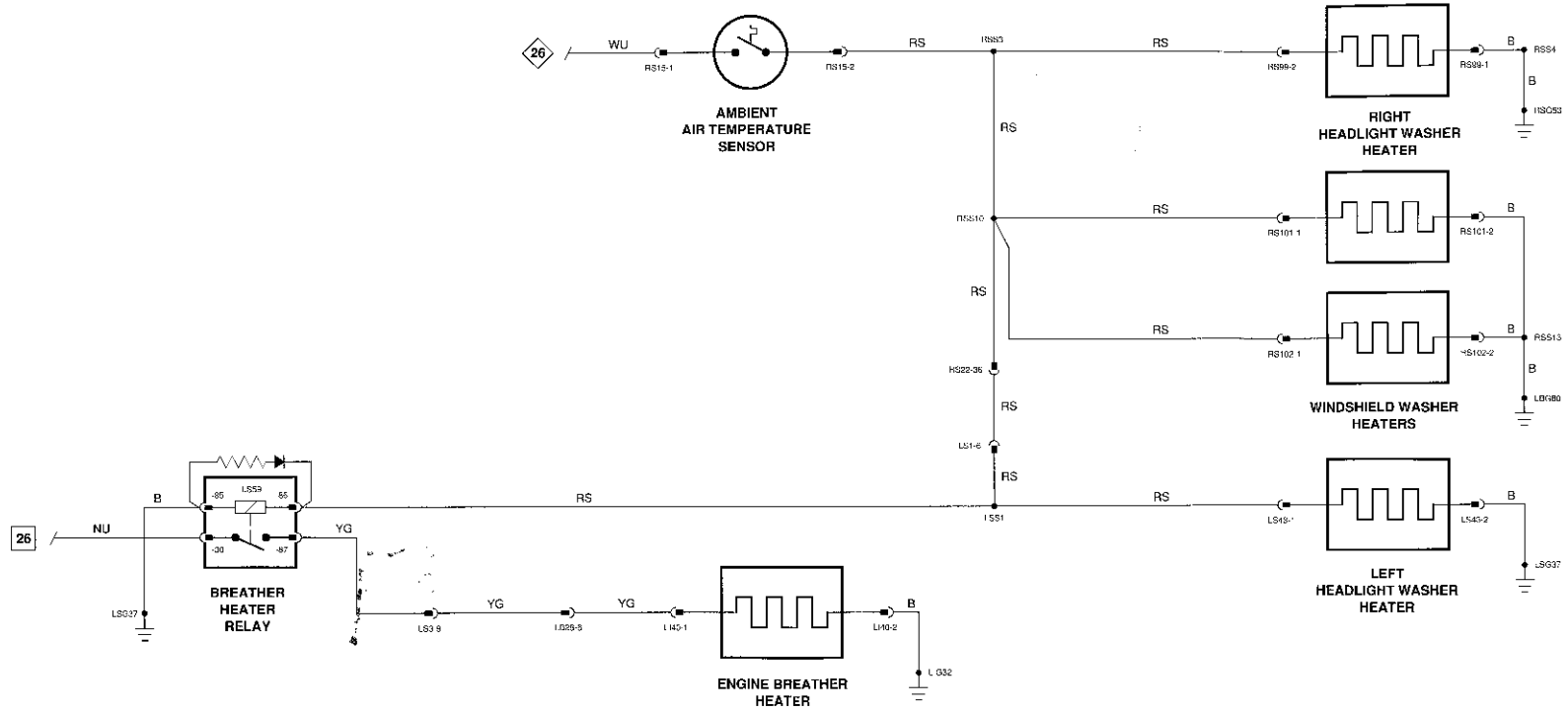
 IGNITION SWITCHED GROUND

FIG 3

 LOGIC GROUND

FIG 4

 FIG NUMBER REFERENCE



COMPONENTS

DESCRIPTION	LOCATION	ACCESS
CENTER CONSOLE	CENTER CONSOLE	CONSOLE SKI SLOPE PANEL
CENTRAL MICROPROCESSOR	BEHIND GLOVE BOX	UNDER DASH PANEL, RIGHT
DIODE—LBD9	BULKHEAD, RIGHT, 4" FROM CPU CONNECTOR	DASH BOARD
HEATER—DOOR MIRROR	EXTERIOR DOOR MIRROR	DOOR UPPER TRIM PANEL
HEATER—REAR WINDOW	REAR WINDOW	
RELAY—HEATED REAR WINDOW (RS36)	TRUNK, RIGHT FRONT	TRIM PANEL

CONNECTORS

CODE	DESCRIPTION	LOCATION / INTERFACE
DD13	2-WAY ITT CANNON (BLACK)	DRIVER DOOR, FRONT UPPER / HEATED MIRROR
HB1	.250 BLADE RECEPTACLE	REAR WINDOW, LEFT / HEATED REAR WINDOW
LB7	6-WAY PM4 (BLACK)	INSIDE RIGHT 'A' POST / PD HARNESS
LB8	24-WAY PMHD (BLACK)	INSIDE RIGHT 'A' POST / PD HARNESS
LB12	3-WAY PM4 (BLACK)	RIGHT DASH UNDER PANEL / CPU
LB13	36-WAY PMHD (BLACK)	RIGHT DASH UNDER PANEL / CPU
LB14	36-WAY PMHD (YELLOW)	RIGHT DASH UNDER PANEL / CPU
LB30	15-WAY PMHD (BLUE)	CENTER CONSOLE / CENTER CONSOLE SWITCH PANEL
LB61	36-WAY PMHD (BLACK)	INSIDE LEFT 'A' POST / DD HARNESS
LB62	6-WAY PM4 (BLACK)	INSIDE LEFT 'A' POST / DD HARNESS
PD16	2-WAY ITT CANNON (BLACK)	PASSENGER DOOR, FRONT UPPER / HEATED MIRROR
RS22	36-WAY PMHD (BLACK)	RIGHT 'A' POST, UNDER DASH PANEL / LB HARNESS
RS36	RELAY BASE (RED)	TRUNK TRIM PANEL, RIGHT / HEATED REAR WINDOW RELAY
RS49	.250 BLADE RECEPTACLE	RIGHT 'E' POST TRIM / HEATED REAR WINDOW
RS87	6-WAY PM4 (BLACK)	RIGHT DASH UNDER PANEL, 'A' POST, HIGH / LB HARNESS

GROUNDINGS

CODE	DESCRIPTION	LOCATION / INTERFACE
HBG2	EYELET	'E' POST TRIM / POWER GROUND
LBG88	EYELET	RIGHT BULKHEAD, BEHIND DASH / POWER GROUND

INPUTS / OUTPUTS

CENTRAL MICROPROCESSOR

CODE	IN / OUT	CIRCUIT	ACTIVE	INACTIVE
LB12-2	IN	BATTERY POWER	12V	12V
LB13-1	IN	IGNITION POWER	12V	0V
LB13-31	IN	HEATED REAR WINDOW	GROUND	OPEN CIRCUIT
LB13-36	IN	LOGIC GROUND	GROUND	GROUND
LB14-12	OUT	HEATED REAR WINDOW RELAY	TIMED GROUND: 0V	12V
LB14-19	OUT	HEATED REAR VIEW MIRRORS	TIMED GROUND: 0V	12V
LB14-35	OUT	CLOCK DISPLAY W/KEY ON	12V	0V
LB14-36	OUT	CENTER CONSOLE PANEL GROUND	GROUND: 0V	GROUND: 0V

CENTER CONSOLE

CODE	IN / OUT	CIRCUIT	ACTIVE	INACTIVE
LB30-1	IN	HEATED REAR WINDOW INDICATOR	TIMED GROUND	12V
LB30-2	OUT	HEATED REAR WINDOW SWITCH	GROUND	OPEN CIRCUIT
LB30-13	IN	CLOCK DISPLAY W/KEY ON	KEY ON-AUX.: 12V	KEY OFF-START: 0V
LB30-15	IN	POWER GROUND	GROUND	GROUND



FIG 1



FIG 2



FIG 3

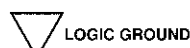
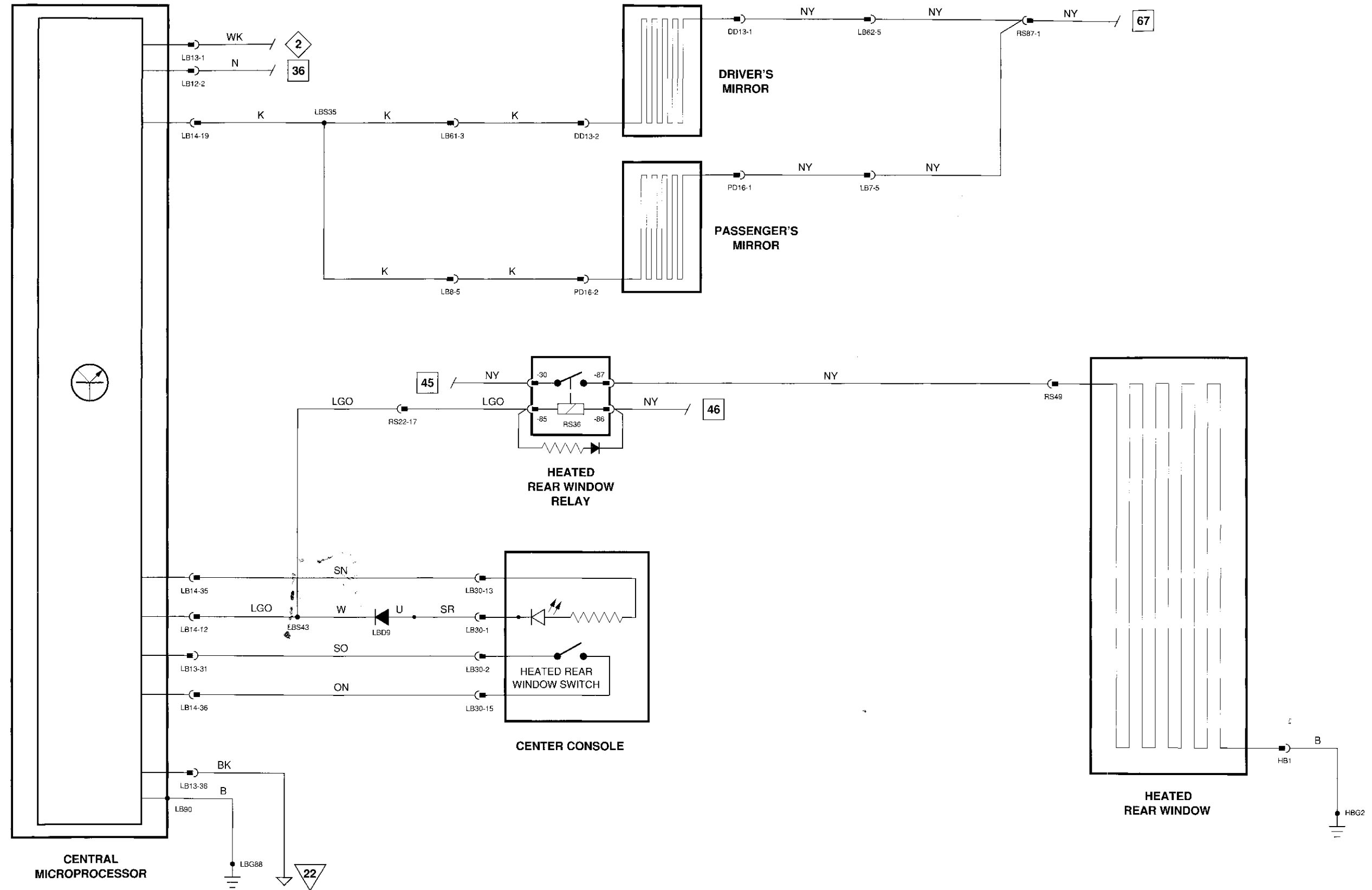


FIG 4



FIG NUMBER REFERENCE



COMPONENTS

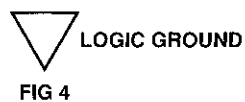
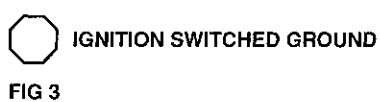
DESCRIPTION	LOCATION	ACCESS
DRIVER'S DOOR SWITCH PANEL	DOOR ARM REST	DOOR LOWER TRIM PANEL

CONNECTORS

CODE	DESCRIPTION	LOCATION / INTERFACE
DD1	6-WAY PM4 (YELLOW)	DOOR TRIM, LOWER / DOOR SWITCH PANEL
DD2	24-WAY PMHD (YELLOW)	DOOR TRIM, LOWER / DOOR SWITCH PANEL
DD14	4-WAY ITT CANNON (BLACK)	DRIVER DOOR, FRONT UPPER / DRIVER DOOR MIRROR
LB8	24-WAY PMHD (BLACK)	INSIDE RIGHT 'A' POST / PD HARNESS
LB61	36-WAY PMHD (BLACK)	INSIDE LEFT 'A' POST / DD HARNESS
LB62	6-WAY PM4 (BLACK)	INSIDE LEFT 'A' POST / DD HARNESS
PD17	4-WAY ITT CANNON (BLACK)	PASSENGER DOOR, FRONT UPPER / PASSENGER DOOR MIRROR

GROUNDS

CODE	DESCRIPTION	LOCATION / INTERFACE
LBG72	EYELET	DRIVER FOOTWELL, LEFT 'A' POST / POWER GROUND



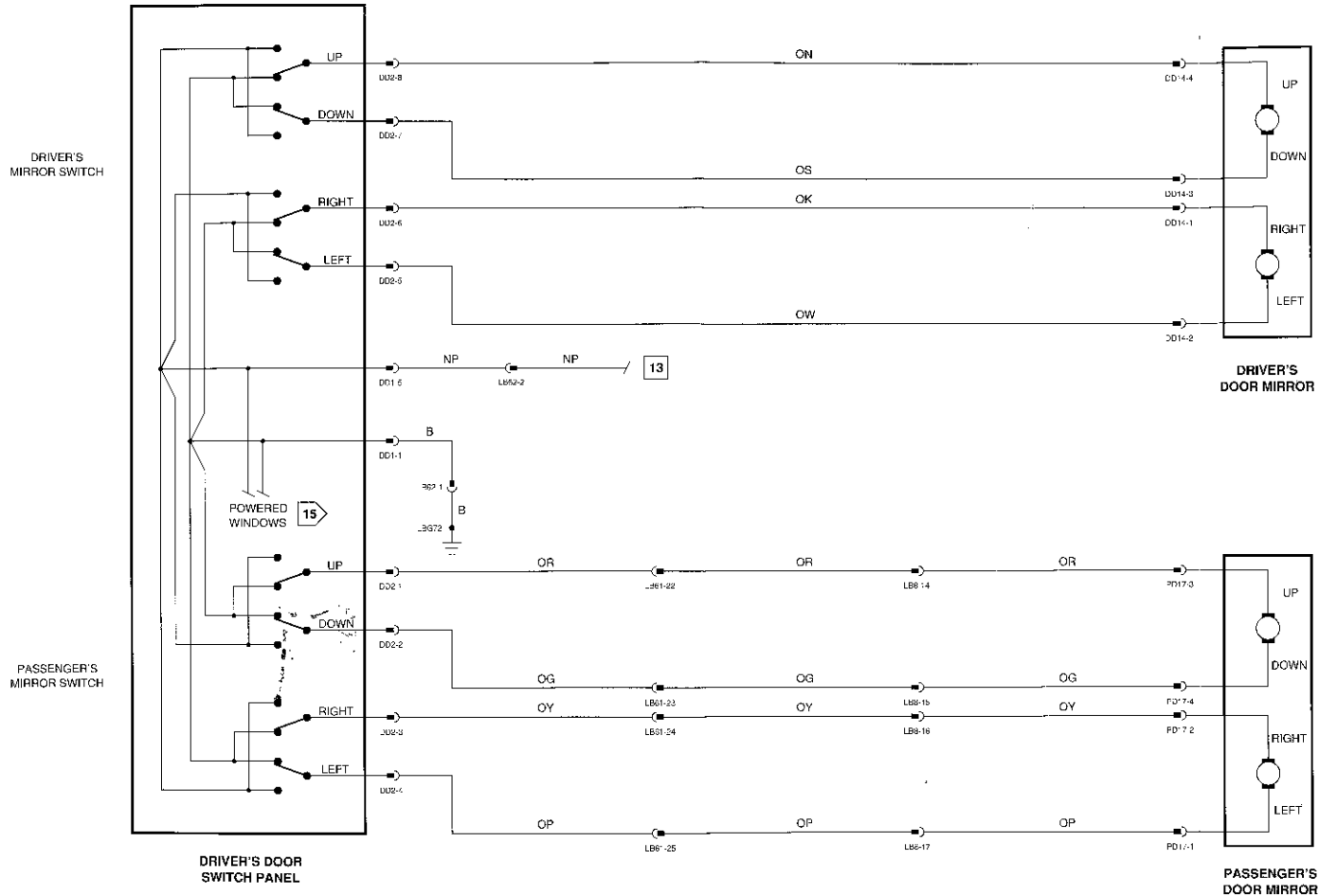


FIG 22

WINDSHIELD WIPER; WINDSHIELD AND HEADLIGHT WASHERS

COMPONENTS

DESCRIPTION	LOCATION	ACCESS
CENTRAL MICROPROCESSOR	BEHIND GLOVE BOX	UNDER DASH PANEL, RIGHT
COLUMN SWITCHES	STEERING COLUMN	STEERING COLUMN COVER
MOTOR—HEADLIGHT WASHER	WASHER FLUID RESERVOIR	FRONT VALANCE
MOTOR—WINDSHIELD WASHER	WASHER FLUID RESERVOIR	FRONT VALANCE
MOTOR—WIPER	FRONT BULKHEAD	ENGINE COMPARTMENT
RELAY—HEADLIGHT WASHER (RS4)	RIGHT RADIATOR SUPPORT	ENGINE COMPARTMENT
RELAY—WINDSHIELD WASHER (RS5)	RIGHT RADIATOR SUPPORT	ENGINE COMPARTMENT
WIPER LOGIC UNIT	RIGHT COMPONENT PANEL	RIGHT UNDER DASH PANEL

CONNECTORS

CODE	DESCRIPTION	LOCATION / INTERFACE
LB12	3-WAY PM4 (BLACK)	RIGHT DASH UNDER PANEL / CPU
LB13	36-WAY PMHD (BLACK)	RIGHT DASH UNDER PANEL / CPU
LB14	36-WAY PMHD (YELLOW)	RIGHT DASH UNDER PANEL / CPU
LB55	24-WAY PMHD (BLACK)	LEFT DASH UNDER PANEL / COLUMN SWITCHES
LB59	6-WAY PM4 (BLACK)	RIGHT DASH UNDER PANEL / WIPER LOGIC MODULE
LB60	4-WAY PMHD (BLACK)	WIPER LOGIC MODULE
LB64	3-WAY TTS SOCKET (GREY)	DRIVER FOOTWELL, 'A' POST / INERTIA SWITCH
LS3	9-WAY PM4 (BLACK)	LEFT 'A' POST, UNDER DASH / LB HARNESS
LS18	6-WAY PM4 (BLACK)	ENGINE COMPARTMENT / WIPER MOTOR
LS64	6-WAY PM4 (YELLOW)	LEFT DASH UNDER PANEL, 'A' POST, HIGH / LB HARNESS
RS4	RELAY BASE (RED)	RIGHT RADIATOR SUPPORT / HEADLIGHT WASHER RELAY
RS5	RELAY BASE (YELLOW)	RIGHT RADIATOR SUPPORT / WINDSHIELD WASHER RELAY
RS8	2-WAY PM4 (BLACK)	BEHIND FRONT VALANCE, RIGHT / HEADLIGHT WASH PUMP
RS9	2-WAY PM4 (YELLOW)	BEHIND FRONT VALANCE, RIGHT / WINDSHIELD WASH PUMP
RS24	24-WAY PMHD (YELLOW)	RIGHT 'A' POST, UNDER DASH PANEL / LB HARNESS
SC2	6-WAY PMHD (YELLOW)	STEERING COLUMN COVER / WASH-WIPE SWITCH
SC3	6-WAY PMHD (BLUE)	STEERING COLUMN COVER / DIRECTIONAL SWITCH

GROUNDINGS

CODE	DESCRIPTION	LOCATION / INTERFACE
LBG88	EYELET	RIGHT BULKHEAD, BEHIND DASH / POWER GROUND
LSG48	EYELET	WIPER MOTOR / POWER GROUND
RSG53	EYELET	ENGINE COMPARTMENT, RIGHT FRONT / POWER GROUND

INPUTS / OUTPUTS

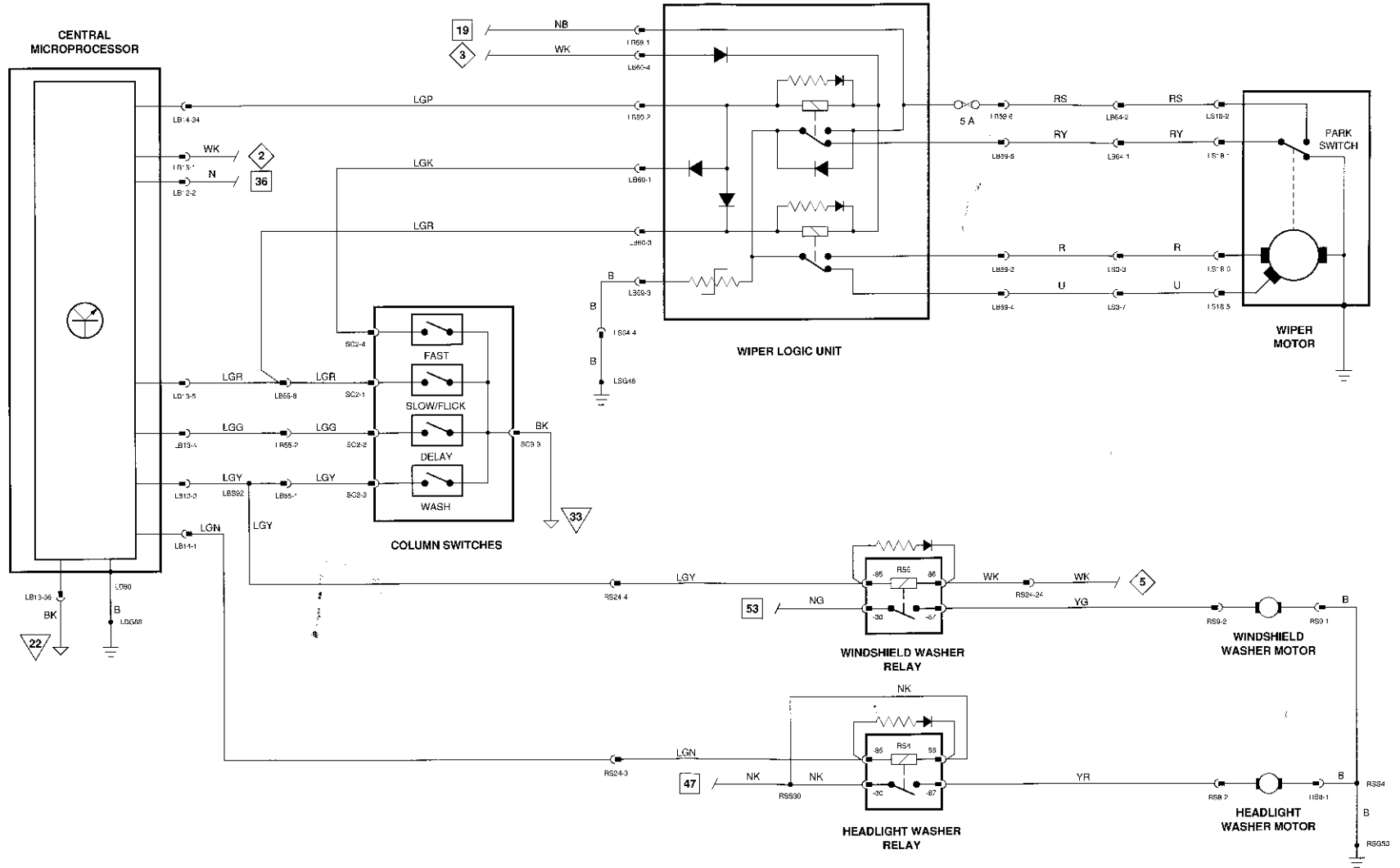
CENTRAL MICROPROCESSOR

CODE	IN / OUT	CIRCUIT	ACTIVE	INACTIVE
LB12-2	IN	BATTERY POWER	12V	12V
LB13-1	IN	IGNITION POWER	12V	0V
LB13-3	IN	WINDSHIELD WASHER	GROUND	12V
LB13-4	IN	WINDSHIELD WIPER DELAY	GROUND	OPEN CIRCUIT
LB13-5	IN	WINDSHIELD WIPER SLOW/FLICK	GROUND	12V
LB13-36	IN	LOGIC GROUND	GROUND	GROUND
LB14-1	OUT	POWER WASH RELAY	TIMED GROUND: 0V	12V
LB14-34	OUT	INTERMITTENT WIPE	STAGGERED GROUND: 0V	12V

COLUMN SWITCHES

CODE	IN / OUT	CIRCUIT	ACTIVE	INACTIVE
LB55-1	OUT	WINDSHIELD WASHER SWITCH	GROUND	12V
LB55-2	OUT	WIPER DELAY SWITCH	GROUND	OPEN CIRCUIT
LB55-8	OUT	WIPER SLOW/FLICK SWITCH		





COMPONENTS

DESCRIPTION	LOCATION	ACCESS
ANTI-LOCK BRAKING ECU	TRUNK, LEFT SIDE	TRUNK TRIM PANEL, LEFT
BRAKE SWITCH	DRIVER FOOTWELL	DRIVER FOOTWELL
COMBINED PRESSURE SWITCH	LEFT FRONT BULKHEAD	ENGINE COMPARTMENT
DIAGNOSTIC SOCKET	LEFT FRONT CORNER OF TRUNK	TRUNK
DIODE—LSD5	FRONT VALANCE, LEFT SIDE	FRONT BUMPER
DIODE—LSD6	ENGINE COMPARTMENT, LEFT FRONT CORNER	ENGINE COMPARTMENT
DIODE—LSD7	LEFT FRONT BULKHEAD	ENGINE COMPARTMENT
DIODE—LSD10	LEFT FRONT BULKHEAD	ENGINE COMPARTMENT
MAIN VALVE	LEFT FRONT BULKHEAD	ENGINE COMPARTMENT
PUMP	LEFT FRONT BULKHEAD	ENGINE COMPARTMENT
RELAY—ABS ECU (LS103)	DRIVER SIDE BLOWER HOUSING	DRIVER FOOTWELL
RELAY—MAIN (LS75)	DRIVER SIDE BLOWER HOUSING	DRIVER FOOTWELL
RELAY—PUMP (LS74)	DRIVER SIDE BLOWER HOUSING	DRIVER FOOTWELL
RESERVOIR	LEFT FRONT BULKHEAD	ENGINE COMPARTMENT
VALVE BLOCK	LEFT FRONT BULKHEAD	ENGINE COMPARTMENT
WHEEL SPEED SENSOR—FRONT	FRONT HUB CARRIER	FRONT WHEEL WELLS
WHEEL SPEED SENSOR—REAR	REAR HUB CARRIER	REAR WHEEL WELLS

CONNECTORS

CODE	DESCRIPTION	LOCATION / INTERFACE
LB127	5-WAY AMP (BLACK)	DRIVER FOOTWELL / BRAKE LIGHT SWITCH
LS1	36-WAY PMHD (BLACK)	LEFT 'A' POST, UNDER DASH PANEL / LB HARNESS
LS2	15-WAY PMHD (YELLOW)	LEFT 'A' POST, UNDER DASH PANEL / LB HARNESS
LS46	2-WAY AMP PLUG (WHITE)	ENGINE COMPARTMENT, LF INNER FENDER / LF ABS SPEED SENSOR
LS49	2-WAY AMP PLUG (WHITE)	ENGINE COMPARTMENT, RF INNER FENDER / RF ABS SPEED SENSOR
LS51	2-WAY AMP PLUG (WHITE)	TRUNK BULKHEAD TRIM PANEL / LR ABS SPEED SENSOR
LS52	2-WAY AMP PLUG (WHITE)	TRUNK BULKHEAD TRIM PANEL / RR ABS SPEED SENSOR
LS69	55-WAY TRW (BLACK)	TRUNK, LEFT SIDE / ABS ECU
LS74	RELAY BASE (BLACK)	DRIVER FOOTWELL / ABS PUMP RELAY
LS75	RELAY BASE (YELLOW)	DRIVER FOOTWELL / ABS MAIN RELAY
LS76	5-WAY BOSCH (BLUE)	LEFT FRONT BULKHEAD / COMBINED PRESSURE SWITCH
LS77	7-WAY BOSCH (GREY)	LEFT FRONT BULKHEAD / VALVE BLOCK
LS78	5-WAY BOSCH (BLACK)	LEFT FRONT BULKHEAD / RESERVOIR FULL
LS79	2-WAY BOSCH (BLACK)	LEFT FRONT BULKHEAD / MAIN VALVE
LS80	2-WAY BOSCH (BLACK)	LEFT FRONT BULKHEAD / HYDRAULIC PUMP
LS103	RELAY BASE (BLUE)	DRIVER FOOTWELL / ABS ECU RELAY

GROUND

CODE	DESCRIPTION	LOCATION / INTERFACE
LSG56	EYELET	TRUNK TRIM PANEL, LEFT REAR / POWER GROUND
LSG118	EYELET	ENGINE COMPARTMENT, LEFT REAR / POWER GROUND

INPUTS / OUTPUTS

ANTI-LOCK BRAKING ECU

CODE	IN / OUT	CIRCUIT	ACTIVE	INACTIVE
LS69-1	OUT	POWER GROUND	GROUND	GROUND
LS69-2	OUT	OUTLET VALVE, FRONT LEFT	GROUND	12V
LS69-3	OUT	ABS ECU RELAY	12V	GROUND
LS69-8	OUT	RESERVOIR FULL SWITCH	5V	0V
LS69-18	OUT	POWER GROUND	GROUND	GROUND
LS69-20	IN	INPUT VALVE, FRONT LEFT	GROUND	12V
LS69-21	IN	OUTLET VALVE, FRONT RIGHT	GROUND	12V
LS69-23	OUT	DIAGNOSTIC SOCKET	PULSED SIGNAL	GROUND
LS69-27	OUT	WHEEL SPEED SENSOR SCREEN, RIGHT REAR	GROUND	GROUND
LS69-28	OUT	WHEEL SPEED SENSOR SCREEN, LEFT REAR	GROUND	GROUND
LS69-29	OUT	WHEEL SPEED SENSOR SCREEN, RIGHT FRONT	GROUND	GROUND
LS69-30	OUT	WHEEL SPEED SENSOR SCREEN, LEFT FRONT	GROUND	GROUND
LS69-32	IN	BRAKES APPLIED SWITCH	12V	OPEN CIRCUIT
LS69-33	IN	ABS ECU RELAY	12V	GROUND
LS69-34	IN	MAIN RELAY	GROUND	OPEN CIRCUIT
LS69-36	IN	OUTLET VALVE, REAR	GROUND	12V
LS69-38	IN	INLET VALVE, FRONT RIGHT	GROUND	12V
LS69-39	IN	MAIN VALVE	GROUND	OPEN CIRCUIT
LS69-45	IN	WHEEL SPEED SENSOR, RIGHT REAR	PULSED SIGNAL	0V
LS69-46	IN	WHEEL SPEED SENSOR, LEFT REAR	PULSED SIGNAL	0V
LS69-47	IN	WHEEL SPEED SENSOR, RIGHT FRONT	PULSED SIGNAL	0V
LS69-48	IN	WHEEL SPEED SENSOR, LEFT FRONT	PULSED SIGNAL	0V
LS69-51	IN	COMBINED PRESSURE SWITCH	5V	OPEN CIRCUIT
LS69-52	OUT	DIAGNOSTIC SOCKET	PULSED SIGNAL	OPEN CIRCUIT
LS69-53	IN	IGNITION ON	12V	OPEN CIRCUIT
LS69-54	IN	INLET VALVE REAR	GROUND	OPEN CIRCUIT



FIG 1



FIG 2



FIG 3



FIG 4



FIG NUMBER REFERENCE

COMPONENTS

DESCRIPTION	LOCATION	ACCESS
DIODE—RAD1	TRUNK BULKHEAD	TRUNK BULKHEAD TRIM PANEL
DIODE / RESISTOR—RSN1	ABOVE SOLENOID VALVE BLOCK	ENGINE COMPARTMENT, RIGHT
DIODE / RESISTOR—RSN2	ABOVE SOLENOID VALVE BLOCK	ENGINE COMPARTMENT, RIGHT
RELAY—UP VALVE (RS29)	PASSENGER FOOTWELL 'A' POST	TRIM PANEL
RIDE HEIGHT SENSOR	RIGHT REAR WISHBONE	REAR SUBFRAME, BELOW
VALVE BLOCK	RIGHT INNER FENDER	ENGINE COMPARTMENT

CONNECTORS

CODE	DESCRIPTION	LOCATION / INTERFACE
RA3	3-WAY PLUG (BLACK)	REAR BRAKE CALIPER / BRAKE PAD
RS19	6-WAY PM4 (YELLOW)	ENGINE COMPARTMENT, RIGHT FRONT INNER FENDER / SOLENOID VALVE BLOCK
RS22	36-WAY PMHD (BLACK)	RIGHT 'A' POST, UNDER DASH PANEL / LB HARNESS
RS25	4-WAY PM4 (GREEN)	ENGINE COMPARTMENT, RS CRUSH TUBE / ACCUMULATOR SWITCHES
RS29	RELAY BASE (BLUE)	PASSENGER FOOTWELL 'A' POST / UP VALVE RELAY
RS35	8-WAY PM4 (BLACK)	TRUNK BULKHEAD TRIM / RA HARNESS
RS87	6-WAY PM4 (BLACK)	RIGHT DASH UNDER PANEL, 'A' POST, HIGH / LB HARNESS
RS123	3-WAY ECONOSEAL (BLACK)	TRUNK, RIGHT FRONT CORNER / RIDE HEIGHT SENSOR GROUND

GROUNDS

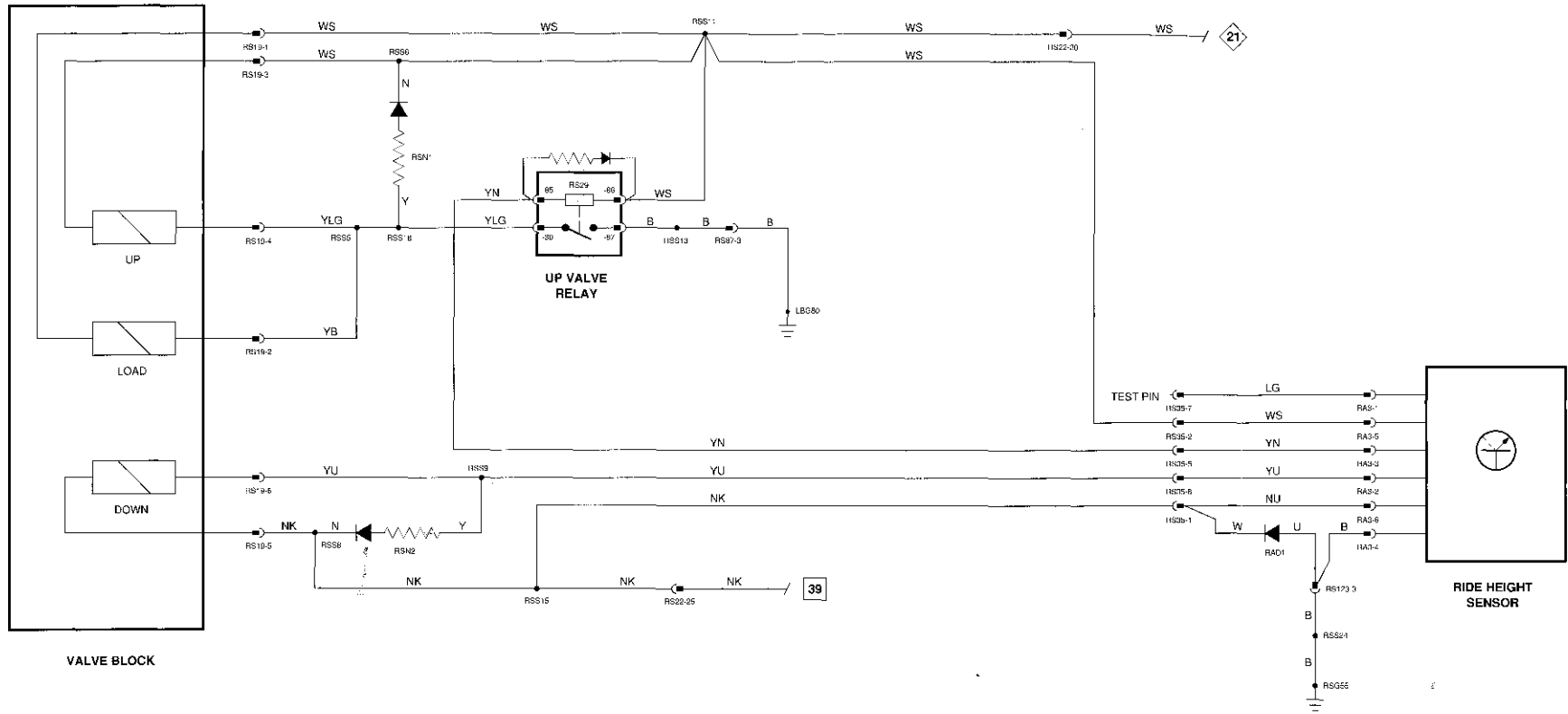
CODE	DESCRIPTION	LOCATION / INTERFACE
RSG55	EYELET	BEHIND TRUNK TRIM PANEL, RIGHT REAR / POWER GROUND
LBG80	EYELET	PASSENGER FOOTWELL, RIGHT 'A' POST / POWER GROUND

INPUTS / OUTPUTS

RIDE HEIGHT SENSOR

CODE	IN / OUT	CIRCUIT	ACTIVE	INACTIVE
RS35-1	IN	BATTERY POWER	12V	12V
RS35-2	IN	IGNITION SWITCHED POWER	KEY ON: 12V	KEY OFF: 0V
RS35-5	OUT	UP VALVE RELAY	GROUND	12V
RS35-6	OUT	DOWN VALVE SOLENOID	GROUND	12V
RS35-7	TEST PIN			





COMPONENTS

DESCRIPTION

BRAKE LIGHT SWITCH
 BRAKE SWITCH (SPEED CONTROL INHIBIT)
 DIODE—LSD4
 DUMP VALVE
 RELAY—SPEED CONTROL (LB93)
 SHORTING PLUG
 SPEED CONTROL ECM
 SPEED CONTROL SWITCHES
 VACUUM PUMP AND CONTROL VALVE

LOCATION

BRAKE PEDAL BOX
 BRAKE PEDAL BOX
 LEFT FRONT INNER FENDER, TOP
 BELOW AIR CLEANER HOUSING
 RIGHT FOOTWELL
 ABOVE FOOT PEDALS
 RIGHT COMPONENT PANEL
 FACIA SWITCH PACK
 BELOW AIR CLEANER HOUSING

ACCESS

DRIVER FOOTWELL
 DRIVER FOOTWELL
 ENGINE COMPARTMENT, LEFT
 ENGINE COMPARTMENT
 RIGHT "A" POST TRIM
 RIGHT DASH UNDER PANEL
 RIGHT DASH UNDER PANEL
 LEFT DASH UNDER PANEL
 ENGINE COMPARTMENT

CONNECTORS

CODE	DESCRIPTION	LOCATION / INTERFACE
LB20	.250 BLADE RECEPTACLE	RIGHT DASH UNDER PANEL / SPEED CONTROL ECM
LB21	8-WAY AMP (WHITE)	RIGHT DASH UNDER PANEL / SPEED CONTROL ECM
LB35	15-WAY PMHD (GREEN)	CENTER CONSOLE / NOT USED
LB56	2-WAY PMHD (YELLOW)	DRIVER FOOTWELL, PEDAL BOX / BRAKE SWITCH
LB57	3-WAY ECONOSEAL (BLACK)	LEFT DASH UNDER PANEL / SHORTING PLUG
LB64	3-WAY TTS SOCKET (GREY)	DRIVER FOOTWELL, 'A' POST / INERTIA SWITCH
LB83	3-WAY ECONOSEAL (RED)	DRIVER FOOTWELL, PEDAL BOX / BRAKE SWITCH
LB93	RELAY BASE (RED)	PASSENGER FOOTWELL, 'A' POST / SPEED CONTROL RELAY
LB94	3-WAY ECONOSEAL (BLACK)	LEFT DASH UNDER PANEL / SHORTING PLUG
LB127	3-WAY ECONOSEAL (BLACK)	DRIVER FOOTWELL / BRAKE SWITCH
LB132	24-WAY PMHD (BROWN)	LEFT DASH UNDER PANEL / FACIA SWITCH PACK
LS1	36-WAY PMHD (BLACK)	LEFT 'A' POST, UNDER DASH PANEL / LB HARNESS
LS26	3-WAY AMP SOCKET (BLACK)	UNDER AIR FILTER HOUSING / SPEED CONTROL PUMP
LS27	3-WAY PM4 (BLACK)	UNDER AIR FILTER HOUSING / SPEED CONTROL DUMP VALVE
LS64	6-WAY PM4 (YELLOW)	LEFT DASH UNDER PANEL, 'A' POST, HIGH / LB HARNESS

GROUNDS

CODE	DESCRIPTION	LOCATION / INTERFACE
LSG37	EYELET	ENGINE COMPARTMENT, LEFT FRONT / POWER GROUND

INPUTS / OUTPUTS

SPEED CONTROL ECM

CODE	IN / OUT	CIRCUIT	ACTIVE	INACTIVE
LB20	IN	ROAD SPEED SIGNAL	PULSED SIGNAL	5V DC
LB21-1	OUT	DUMP VALVE CONTROL	GROUND	12V
LB21-2	IN	ON-OFF SWITCH	GROUND	12V
LB21-3	IN	SET/RESUME SWITCHES	SET: 1.5V, RESUME: 3V	5V
LB21-4	OUT	VACUUM PUMP	GROUND	12V
LB21-5	IN	IGNITION SWITCHED POWER	KEY ON: 12V	KEY OFF: 0V
LB21-6	OUT	SPEED CONTROL VALVE	GROUND	12V
LB21-7	IN	BRAKE LIGHT SWITCH	GROUND	12V
LB21-8	IN	LOGIC GROUND	GROUND	GROUND



FIG 1



FIG 2



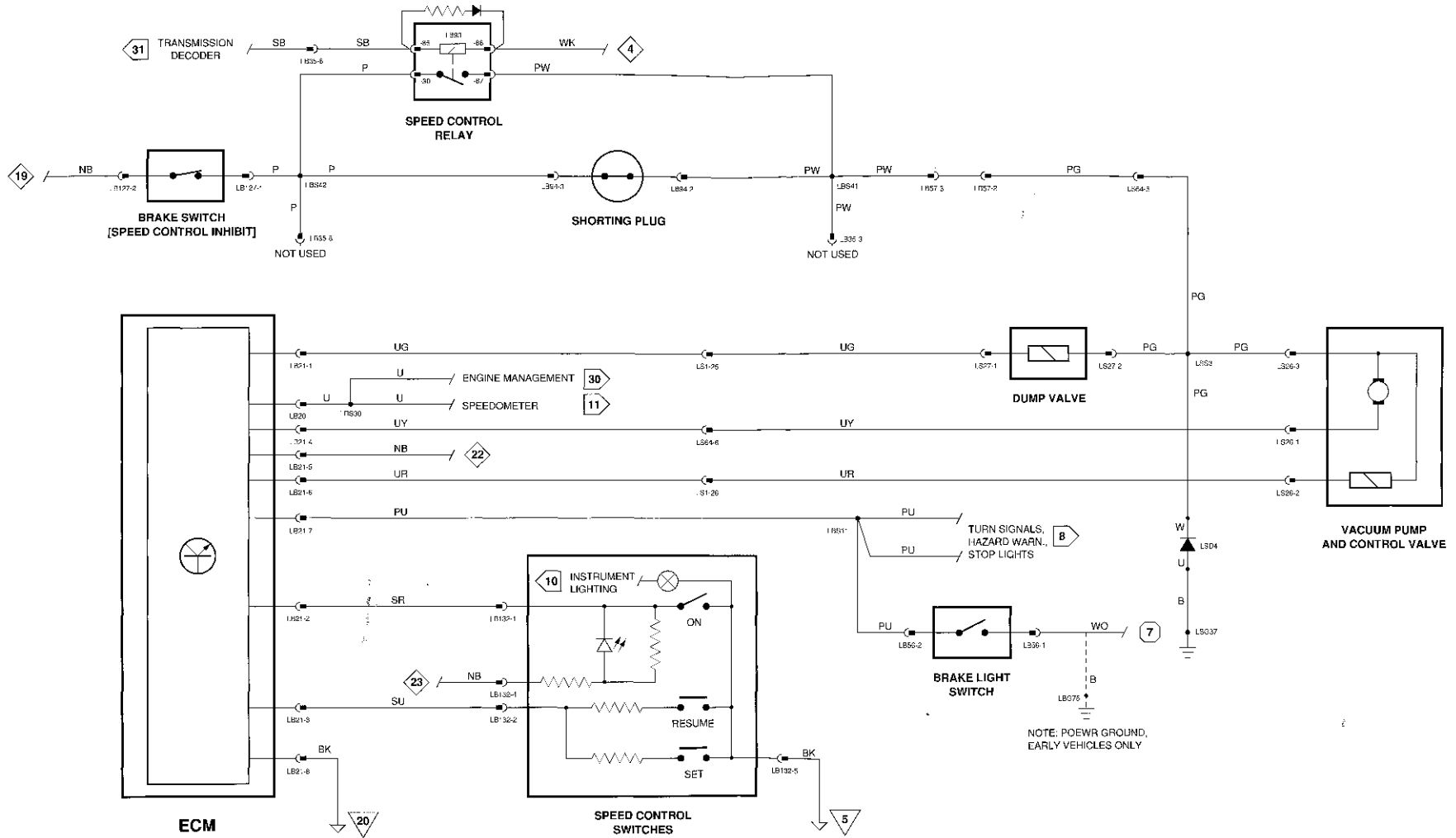
FIG 3



FIG 4



FIG NUMBER REFERENCE



COMPONENTS

DESCRIPTION	LOCATION	ACCESS
ANTENNA MOTOR	TRUNK, RIGHT FRONT	TRUNK TRIM PANEL, RIGHT
CENTRAL MICROPROCESSOR	BEHIND GLOVE BOX	UNDER DASH PANEL, RIGHT
DIODE—LBD7	BEHIND DASH GLOVE BOX	DASH GLOVE BOX ASSEMBLY
RADIO	CENTER CONSOLE	CONSOLE SKI SLOPE PANEL
RELAY—AC AND RADIO (LB16)	COMPONENT PANEL	RIGHT DASH UNDER PANEL
RELAY—ANTENNA DOWN (RS38)	TRUNK PANEL, RIGHT FRONT	TRIM PANEL
RELAY—ANTENNA UP (RS37)	TRUNK, RIGHT FRONT	TRIM PANEL
SPEAKER—BASS	REAR SEAT KICK PANEL	REAR FOOTWELL
SPEAKER—DOOR	DOOR LOWER TRIM PANEL	DOOR LOWER TRIM PANEL

CONNECTORS

CODE	DESCRIPTION	LOCATION / INTERFACE
DD2	24-WAY PMHD (YELLOW)	DOOR TRIM, LOWER / DOOR SWITCH PANEL
DS1	2-WAY PMHD (BLACK)	DOOR TRIM, LOWER / DOOR SPEAKER
LB8	24-WAY PMHD (BLACK)	INSIDE RIGHT 'A' POST / PD HARNESS
LB12	3-WAY PM4 (BLACK)	RIGHT DASH UNDER PANEL / CPU
LB13	36-WAY PMHD (BLACK)	RIGHT DASH UNDER PANEL / CPU
LB14	36-WAY PMHD (YELLOW)	RIGHT DASH UNDER PANEL / CPU
LB16	RELAY BASE (BLACK)	RIGHT DASH UNDER PANEL / AC AND RADIO RELAY
LB32	3-WAY PM4 (YELLOW)	CENTER CONSOLE / RADIO
LB33	15-WAY PMHD (YELLOW)	CENTER CONSOLE / RADIO
LB61	36-WAY PMHD (BLACK)	INSIDE LEFT 'A' POST / DD HARNESS
LS1	36-WAY PMHD (BLACK)	LEFT 'A' POST, UNDER DASH PANEL / LB HARNESS
LS2	15-WAY PMHD (YELLOW)	LEFT 'A' POST, UNDER DASH PANEL / LB HARNESS
LS6	6-WAY PMHD (BLACK)	LEFT 'B/C' POST LINER / RD HARNESS
LS9	2-WAY PMHD (BLACK)	LEFT REAR FOOTWELL / BASS SPEAKER
PD8	6-WAY PMHD (YELLOW)	DOOR TRIM, LOWER / DOOR SWITCH PANEL
PS1	2-WAY PMHD (BLACK)	DOOR TRIM, LOWER / DOOR SPEAKER
RD5	6-WAY PMHD (YELLOW)	DOOR TRIM, UPPER / DOOR SWITCH PANEL
RS22	36-WAY PMHD (BLACK)	RIGHT 'A' POST, UNDER DASH PANEL / LB HARNESS
RS24	24-WAY PMHD (YELLOW)	RIGHT 'A' POST, UNDER DASH PANEL / LB HARNESS
RS31	6-WAY PMHD (BLACK)	RIGHT LOWER 'B/C' POST TRIM / RD HARNESS
RS33	2-WAY PMHD (BLACK)	RIGHT REAR FOOTWELL / RIGHT BASS SPEAKER
RS37	RELAY BASE (GREEN)	TRUNK TRIM PANEL, RIGHT / ANTENNA UP RELAY
RS38	RELAY BASE (BLACK)	TRUNK TRIM PANEL, RIGHT / ANTENNA DOWN RELAY
RS48	2-WAY PM4 (BLACK)	TRUNK TRIM PANEL, RIGHT / ELECTRIC ANTENNA

GROUNDINGS

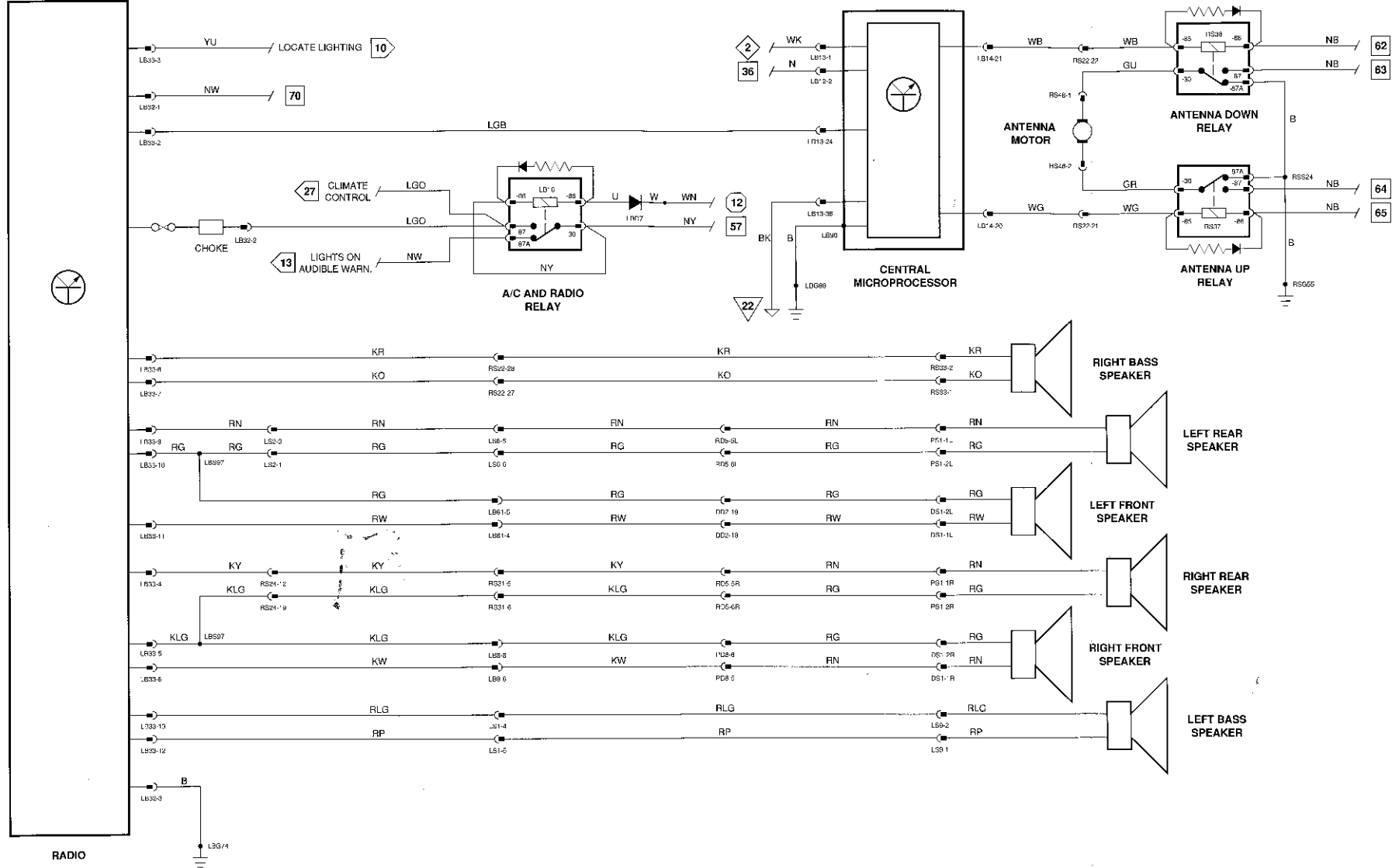
CODE	DESCRIPTION	LOCATION / INTERFACE
LBG74	EYELET	CENTER CONSOLE ASHTRAY / POWER GROUND
LBG88	EYELET	RIGHT BULKHEAD, BEHIND DASH / POWER GROUND
RSG55	EYELET	BEHIND TRUNK TRIM PANEL, RIGHT REAR / POWER GROUND

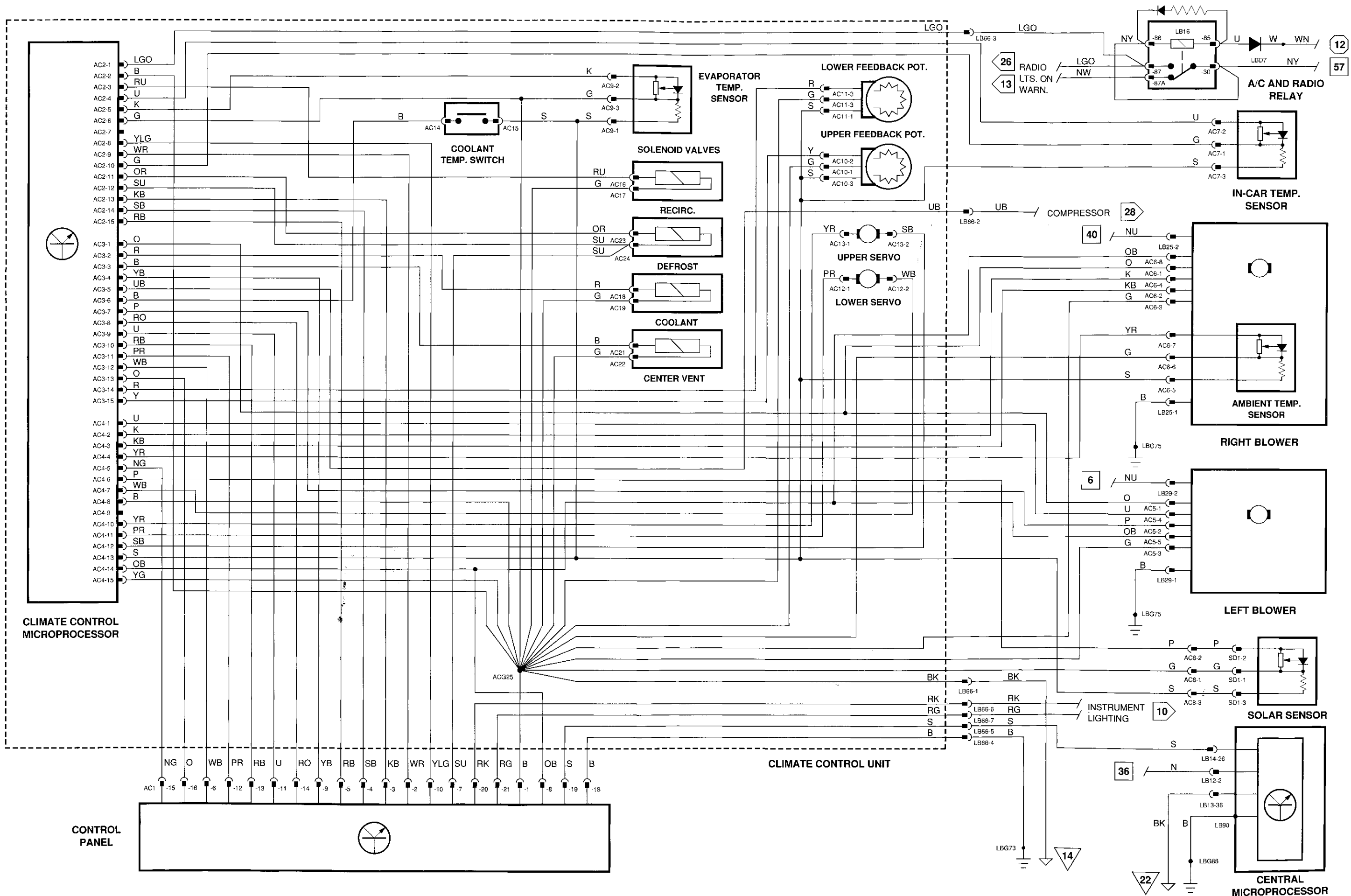
INPUTS / OUTPUTS

CENTRAL MICROPROCESSOR

CODE	IN / OUT	CIRCUIT	ACTIVE	INACTIVE
LB12-2	IN	BATTERY POWER	12V	12V
LB13-1	IN	IGNITION POWER	12V	0V
LB13-24	IN	RADIO ANTENNA	12V	OPEN CIRCUIT
LB13-36	IN	LOGIC GROUND	GROUND	GROUND
LB14-20	OUT	ANTENNA UP RELAY	TIMED GROUND: 0V	12V
LB14-21	OUT	ANTENNA DOWN RELAY	TIMED GROUND: 0V	12V







COMPONENTS

DESCRIPTION

DIODE—RSD2
 DIODE—RSD3
 COMPRESSOR CLUTCH
 COOLING FAN
 HIGH SIDE LOW PRESSURE SWITCH
 RELAY—COMPRESSOR CLUTCH (RS2)
 RELAY—COOLING FAN (RS3)
 THERMAL CUT-OUT SWITCH

LOCATION

BELOW RIGHT FRONT CRUSH TUBE
 RIGHT HEADLIGHT CAVITY
 AC COMPRESSOR
 AHEAD OF RADIATOR
 AC COMPRESSOR, REAR
 RIGHT RADIATOR SUPPORT
 RIGHT RADIATOR SUPPORT
 RADIATOR, LOWER RIGHT

ACCESS

ENGINE COMPARTMENT BELOW, RIGHT
 ENGINE COMPARTMENT, LEFT
 ENGINE, LOWER RIGHT
 FRONT BUMPER AND GRILLE
 ENGINE COMPARTMENT
 ENGINE COMPARTMENT
 ENGINE COMPARTMENT
 RADIATOR, BELOW

CONNECTORS

CODE

DESCRIPTION

LB66 15-WAY PMHD (BLACK)
 RS2 RELAY BASE (GREEN)
 RS3 RELAY BASE (BLACK)
 RS7 9-WAY PM4 (YELLOW)
 RS10 2-WAY PM4 (BLUE)
 RS24 24-WAY PMHD (YELLOW)
 RS74 2-WAY PM4 (BLUE)
 RS76 .250 BLADE RECEPTACLE
 RS77 .250 BLADE RECEPTACLE
 RS78 2-WAY PM4 (GREEN)

LOCATION / INTERFACE

CENTER CONSOLE, AC CONTROL PANEL / AC HARNESS
 RIGHT RADIATOR SUPPORT / AC CLUTCH RELAY
 RIGHT RADIATOR SUPPORT / COOLING FAN RELAY
 ENGINE COMPARTMENT, ABOVE IGNITION COIL / LI HARNESS
 RADIATOR, RIGHT SIDE, BELOW / COOLING FAN THERMAL SWITCH
 RIGHT 'A' POST, UNDER DASH PANEL / LB HARNESS
 BEHIND FRONT VALANCE / COOLING FAN
 AC COMPRESSOR / THERMAL CUT-OUT
 AC COMPRESSOR / THERMAL CUT-OUT
 ENGINE COMPARTMENT, RIGHT / AC COMPRESSOR CLUTCH

GROUNDINGS

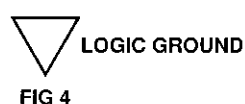
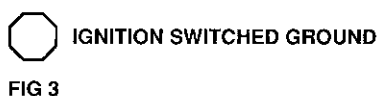
CODE

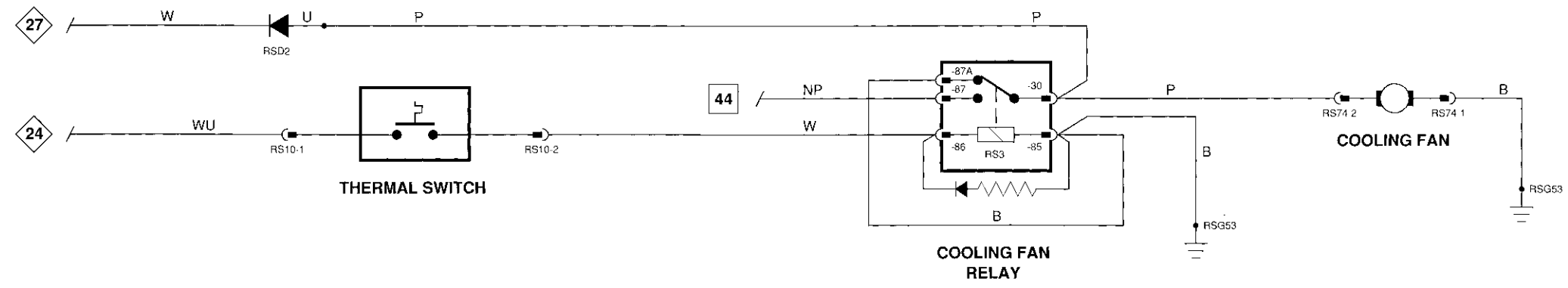
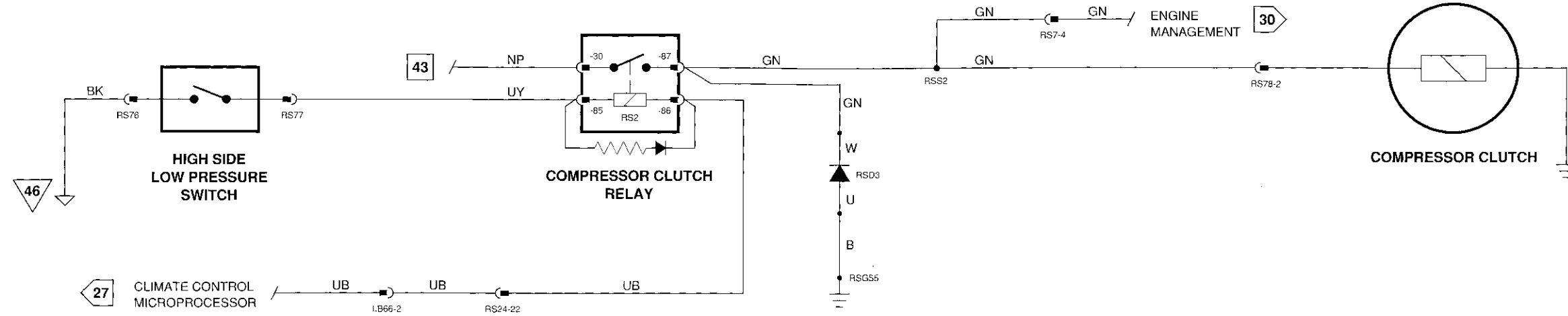
DESCRIPTION

RSG53 EYELET
 RSG55 EYELET

LOCATION / INTERFACE

ENGINE COMPARTMENT, RIGHT FRONT / POWER GROUND
 BEHIND TRUNK TRIM PANEL, RIGHT REAR / POWER GROUND





COMPONENTS

DESCRIPTION	LOCATION	ACCESS
AUDIBLE WARNING MODULE	RIGHT COMPONENT PANEL	RIGHT UNDER DASH PANEL
CENTRAL MICROPROCESSOR	BEHIND GLOVE BOX	UNDER DASH PANEL, RIGHT
DIODE—LBD1	BULKHEAD, LEFT OF STEERING COLUMN	DASH BOARD
DOCK SWITCH—FRONT	PASSIVE RESTRAINT MOTOR	'B/C' POST TRIM, LOWER
DOCK SWITCH—REAR	'B/C' POST	'B/C' POST TRIM, UPPER
DOOR LOCK SWITCH	INTEGRAL WITH LOCK MOTOR	
DOOR SWITCH	DOOR LATCH	DOOR LOWER TRIM PANEL
MOTOR—PASSIVE RESTRAINT	'B/C' POST	'B/C' POST TRIM, LOWER
PASSIVE RESTRAINT ECM	BELOW INSTRUMENT PANEL	LEFT DASH UNDER PANEL
PROXIMITY SWITCH—LEFT	'B/C' POST	'B/C' POST TRIM
PROXIMITY SWITCH—RIGHT	'B/C' POST	'B/C' POST TRIM
RELAY—REVERSE INHIBIT (LB118)	LEFT BLOWER CASE	LEFT DASH UNDER PANEL
TRANSMISSION ROTARY SWITCH	GEARBOX, LEFT FRONT	BELOW VEHICLE

CONNECTORS

CODE	DESCRIPTION	LOCATION / INTERFACE	CODE	DESCRIPTION	LOCATION / INTERFACE
DD6	6-WAY PM4 (YELLOW)	DOOR, INNER / LOCK MOTOR	LB86	24-WAY PMHD (BLACK)	LEFT UNDER DASH PANEL / PASSIVE RESTRAINT MODULE
DD9	6-WAY PM4 (BLACK)	DOOR, INNER / DOOR LATCH SWITCH	LB87	8-WAY PM4 (BLACK)	LEFT UNDER DASH PANEL / PASSIVE RESTRAINT MODULE
GB1	24-WAY PMHD (YELLOW)	CENTER CONSOLE SKI SLOPE PANEL / ROTARY SWITCH	LB91	6-WAY PM4 (BLACK)	RS 'B/C' POST LOWER TRIM / RS PASSIVE RESTRAINT MOTOR
LB8	24-WAY PMHD (BLACK)	INSIDE RIGHT 'A' POST / PD HARNESS	LB105	4-WAY PMHD (BLACK)	RS 'B/C' POST LOWER TRIM / RS PASSIVE RESTRAINT SWITCH
LB12	3-WAY PM4 (BLACK)	RIGHT DASH UNDER PANEL / CPU	LB106	4-WAY PMHD (BLACK)	LS 'B/C' POST, LOWER TRIM / LS PASSIVE RESTRAINT SWITCH
LB13	36-WAY PMHD (BLACK)	RIGHT DASH UNDER PANEL / CPU	LB118	RELAY BASE (GREEN)	DRIVER FOOTWELL, LEFT BLOWER / REVERSE INHIBIT MOTOR
LB14	36-WAY PMHD (YELLOW)	RIGHT DASH UNDER PANEL / CPU	LB119	5-WAY PIN CONN. (BLACK)	CARPET UNDER DRIVER SEAT / DRIVER SIDE IL HARNESS
LB35	15-WAY PMHD (GREEN)	CENTER CONSOLE / REVERSE INHIBIT	LS1	36-WAY PMHD (BLACK)	LEFT 'A' POST, UNDER DASH PANEL / LB HARNESS
LB58	15-WAY PMHD (BLACK)	RIGHT DASH UNDER PANEL / AUDIBLE WARNING MODULE	PD2	6-WAY PM4 (BLACK)	DOOR, INNER / DOOR LATCH SWITCH
LB61	36-WAY PMHD (BLACK)	INSIDE LEFT 'A' POST / DD HARNESS	PD5	6-WAY PM4 (YELLOW)	DOOR, INNER / LOCK MOTOR
LB85	6-WAY PM4 (BLACK)	LS 'B/C' POST LOWER TRIM / LS PASSIVE RESTRAINT MOTOR			

GROUNDS

CODE	DESCRIPTION	LOCATION / INTERFACE
LBG75	EYELET	BULKHEAD, BEHIND LEFT BLOWER AIR DUCT / POWER GROUND
LBG88	EYELET	RIGHT BULKHEAD, BEHIND DASH / POWER GROUND

INPUTS / OUTPUTS

AUDIBLE WARNING MODULE

CODE	IN / OUT	CIRCUIT	ACTIVE	INACTIVE
LB58-2	IN	SEAT BELT / GEAR POSITION AUDIBLE WARNING	TIMED PULSE TO GROUND: 0V	5V

CENTRAL MICROPROCESSOR

CODE	IN / OUT	CIRCUIT	ACTIVE	INACTIVE
LB12-2	IN	BATTERY POWER	12V	12V
LB13-1	IN	IGNITION POWER	12V	0V
LB13-22	IN	SEAT BELT WARNING SWITCHES	FAIL: GROUND	PASS: OPEN CIRCUIT
LB13-23	IN	SEAT BELT WARNING SWITCHES	FAIL: GROUND	PASS: OPEN CIRCUIT
LB13-36	IN	LOGIC GROUND	GROUND	GROUND
LB14-15	OUT	SEAT BELT / GEAR AUDIBLE WARNING	TIMED / STAGGERED PULSE TO GROUND	5V
LB90	IN	POWER GROUND	GROUND	GROUND

PASSIVE RESTRAINT ECM

CODE	IN / OUT	CIRCUIT	ACTIVE	INACTIVE
LB86-1	OUT	CENTRAL LOCKING "UNLOCK"	GROUND: 0V	7-9 V
LB86-2	IN	IGNITION SWITCHED GROUND	GROUND: 0V	12V
LB86-3	OUT	SEAT BELT WARNING	LESS THAN 1V	12V
LB86-4	IN	DRIVER DOOR AND REVERSE INHIBIT	DOOR OPENED: LESS THAN 1V	DOOR CLOSED OR OPENED IN REVERSE: 12V
LB86-5	IN	IGNITION SWITCHED GROUND	GROUND: 0V	12V
LB86-6	IN	INERTIA SWITCH	GROUND: 0V	12V
LB86-7	IN	FRONT DOOR SWITCH, LEFT	12V (DOCKED)	GROUND: 0V
LB86-8	IN	REAR DOCK SWITCH, LEFT	12V (DOCKED)	GROUND: 0V
LB86-9	IN	LOGIC GROUND	GROUND: 0V	GROUND: 0V
LB86-10	IN	PROXIMITY SWITCH, LEFT	12V (BELT LATCHED)	GROUND: 0V
LB86-11	IN	PROXIMITY SWITCH, RIGHT	12V (BELT LATCHED)	GROUND: 0V
LB86-12	IN	LOGIC GROUND	GROUND	GROUND
LB86-13	IN	REAR DOCK SWITCH, RIGHT	12V (DOCKED)	GROUND: 0V
LB86-14	IN	FRONT DOCK SWITCH, RIGHT	12V (DOCKED)	GROUND: 0V
LB86-15	IN	PASSENGER DOOR	DOOR OPENED: LESS THAN 1V	DOOR CLOSED: 12V
LB86-16	IN	LOGIC GROUND	GROUND	GROUND
LB87-1	IN	BATTERY POWER	12V	12V
LB87-2	OUT	LEFT MOTOR DRIVE	12V TO RESTRAIN	GROUND: 0V
LB87-3	OUT	LEFT MOTOR DRIVE	12V TO RELEASE	GROUND: 0V
LB87-5	OUT	RIGHT MOTOR DRIVE	12V TO RESTRAIN	GROUND: 0V
LB87-6	OUT	RIGHT MOTOR DRIVE	12V TO RELEASE	GROUND: 0V
LB87-7	IN	POWER GROUND	GROUND	GROUND
LB87-8	IN	POWER GROUND	GROUND	GROUND
LB87-9	IN	BATTERY POWER	12V	12V



FIG 1



FIG 2

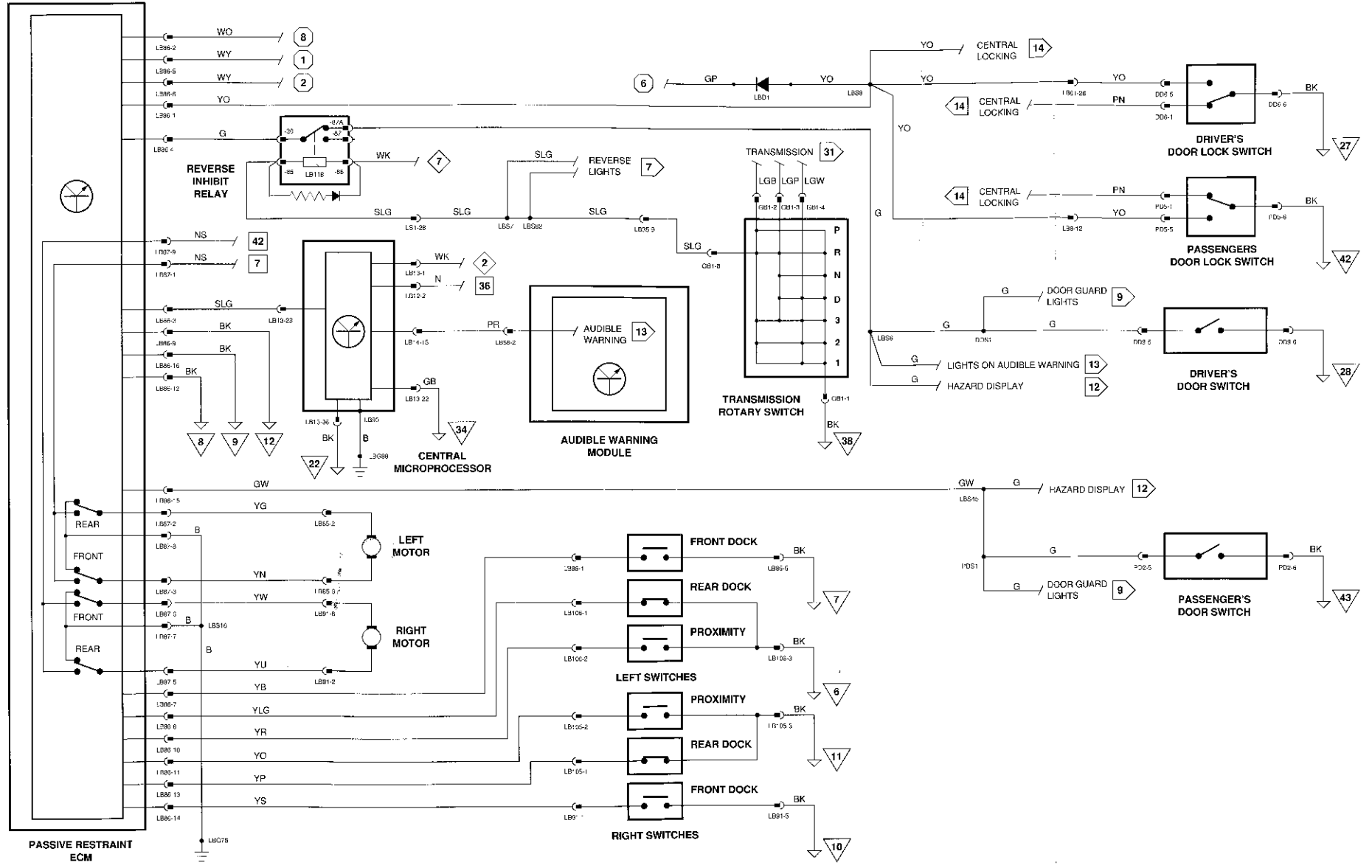


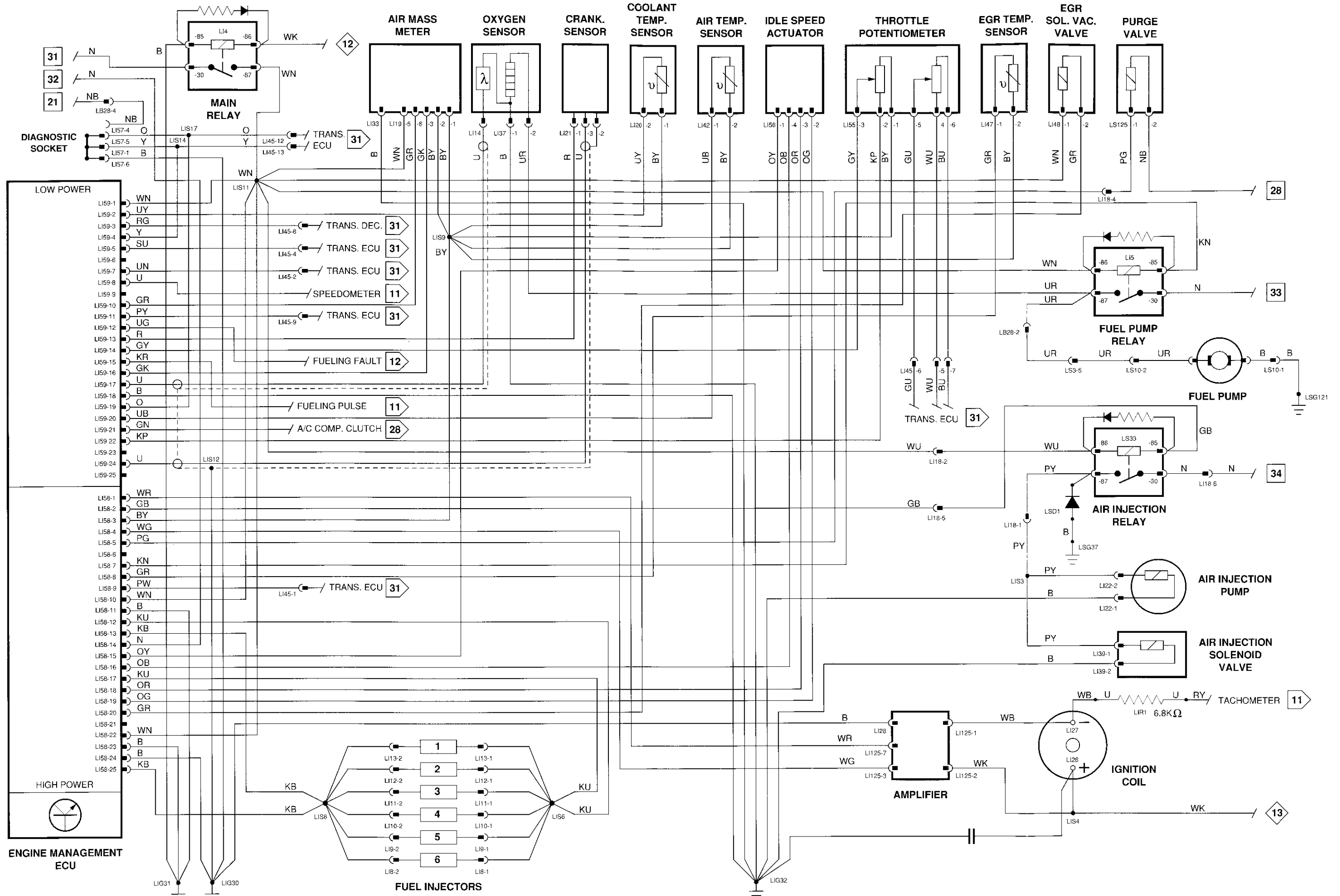
FIG 3



FIG 4







COMPONENTS

DESCRIPTION	LOCATION	ACCESS
DECODER MODULE	COMPONENT PANEL	RIGHT DASH UNDER PANEL
DIAGNOSTIC SOCKET	RIGHT REAR BULKHEAD	ENGINE COMPARTMENT
GEAR POSITION INDICATOR MODULE	"J" GATE	"J" GATE
KICKDOWN SWITCH	ACCELERATOR PEDAL	ACCELERATOR PEDAL
MODE SWITCH	"J" GATE	"J" GATE
RELAY—TRANSMISSION (GB4)	RIGHT COMPONENT PANEL	RIGHT DASH UNDER PANEL
ROTARY SWITCH	GEARBOX, LEFT FRONT	BELOW VEHICLE
THROTTLE POTENTIOMETER	INTAKE MANIFOLD, BELOW	ENGINE COMPARTMENT
TRANSMISSION ECU	RIGHT COMPONENT PANEL	RIGHT DASH UNDER PANEL

CONNECTORS

CODE	DESCRIPTION	LOCATION / INTERFACE
GB1	24-WAY PMHD (YELLOW)	CENTER CONSOLE SKI SLOPE PANEL / ROTARY SWITCH
GB2	6-WAY AMP (WHITE)	CENTER CONSOLE SKI SLOPE PANEL / MODE SWITCH
GB3	15-WAY PMHD	CENTER CONSOLE SKI SLOPE PANEL / GEAR SELECTOR ILLUMINATION MODULE
GB4	RELAY BASE (PURPLE)	COMPONENT PANEL / TRANSMISSION RELAY
GB5	55-WAY BOSCH (BLACK)	COMPONENT PANEL / TRANSMISSION ECU
GB6	26-WAY AMP (BLUE)	COMPONENT PANEL / DECODER MODULE
GB11	3-WAY PM4 (GREEN)	COMPONENT PANEL / BULKHEAD HARNESS
LB35	15-WAY PMHD (GREEN)	CENTER CONSOLE / TRANSMISSION RELAY
LB111	3-WAY ECONOSEAL (BLACK)	DRIVER FOOTWELL / KICKDOWN SWITCH
LI45	24-WAY PMHD (GREEN)	COMPONENT PANEL / GEARBOX TO ENG. MANAGEMENT
LI53	6-WAY PM4 (BLUE)	INTAKE MANIFOLD, BELOW / THROTTLE POTENTIOMETER

GROUNDINGS

CODE	DESCRIPTION	LOCATION / INTERFACE
GBG10	EYELET	TRANSMISSION TUNNEL / POWER GROUND
LBG75	EYELET	BULKHEAD, BEHIND LEFT BLOWER AIR DUCT / POWER GROUND
LIG30	EYELET	ENGINE COMPARTMENT BULKHEAD, RS / POWER GROUND

INPUTS / OUTPUTS

DECODER MODULE

CODE	IN / OUT	CIRCUIT	ACTIVE	INACTIVE
GB6-1	OUT	GEAR POSITION "3"	GROUND	OPEN CIRCUIT
GB6-2	OUT	GEAR POSITION "2"	GROUND	OPEN CIRCUIT
GB6-3	OUT	GEAR POSITION "R"	GROUND	OPEN CIRCUIT
GB6-4	OUT	GEAR POSITION "D"	GROUND	OPEN CIRCUIT
GB6-5	NOT USED			
GB6-9	OUT	AUDIBLE WARNING "P"	"P": GROUND	"R", "N", "D", "3", "2": 5V
GB6-10	IN	IGNITION SWITCHED POWER	12V	OPEN CIRCUIT
GB6-11	IN	SELECTOR POSITION "R"	"R": GROUND	"P", "N", "D", "3", "2": OPEN CIRCUIT
GB6-12	IN	SELECTOR POSITION "D" RANGE	"D" RANGE: GROUND	"P", "R", "N": OPEN CIRCUIT
GB6-13	IN	SELECTOR POSITION "P" RANGE	"P" RANGE: GROUND	"R", "N", "D", "3", "2": OPEN CIRCUIT
GB6-14	OUT	GEAR POSITION "N"	"N": GROUND	"P", "R", "D", "3", "2": OPEN CIRCUIT
GB6-15	OUT	GEAR POSITION "P"	"P": GROUND	"R", "N", "D", "3", "2": OPEN CIRCUIT
GB6-20	IN	LOGIC GROUND	GROUND	GROUND
GB6-21	IN	POWER GROUND	GROUND	GROUND
GB6-25	OUT	"D" RANGE SELECTED	"D" RANGE: GROUND	"P", "R", "N": OPEN CIRCUIT
GB6-26	OUT	ENGINE MANAGEMENT	"R", "N": GROUND	"R", "D", "3", "2": 5V

TRANSMISSION ECU

CODE	IN / OUT	CIRCUIT	ACTIVE	INACTIVE
GB5-1	IN	IGNITION SWITCHED POWER	12V	0V
GB5-2	OUT	OUTPUT SHAFT SPEED SENSOR	5V	0V
GB5-3	IN	ENGINE SPEED SIGNAL	PULSED SIGNAL	0V
GB5-4	OUT	SOLENOID VALVE (FORWARD DRIVE)	GROUND	OPEN CIRCUIT
GB5-6	IN	PRESSURE REGULATOR VALVE SOLENOID	GROUND	GROUND
GB5-7	OUT	POWER GROUND	GROUND	GROUND
GB5-8	IN	THROTTLE POTENTIOMETER WIPER	240MV-4.9V	0V
GB5-9	OUT	LOGIC GROUND	GROUND	GROUND
GB5-14	IN	GEAR POSITION SELECTOR	"R": GROUND	"P", "N", "D", "3", "2": OPEN CIRCUIT
GB5-15	OUT	DIAGNOSTIC SOCKET	GROUND	GROUND
GB5-16	OUT	INSTRUMENT PACK HAZARD DISPLAY	PULSED SIGNAL	0V
GB5-19	OUT	SOLENOID VALVE SUPPLY POWER	12V	0V
GB5-20	OUT	SPEED SENSOR SCREEN	GROUND	GROUND
GB5-21	IN	INJECTOR TIME INPUT	PULSED SIGNAL	0V
GB5-24	IN	SOLENOID VALVE (2ND)	GROUND	OPEN CIRCUIT
GB5-25	IN	ENGINE MANAGEMENT INPUT	PULSED SIGNAL	0V
GB5-26	OUT	POWER GROUND	GROUND	GROUND
GB5-32	IN	ENGINE MANAGEMENT INPUT	PULSED SIGNAL	0V
GB5-33	IN	GEAR POSITION SELECTOR	"D" RANGE: GROUND	"P", "R", "N": OPEN CIRCUIT
GB5-38	IN	OUTPUT SHAFT SPEED SENSOR	PULSED SIGNAL	0V
GB5-39	IN	BATTERY POWER	12V	12V
GB5-41	IN	KICKDOWN SWITCH	GROUND	5V
GB5-42	OUT	SOLENOID VALVE (LOCKUP)	LOCKUP: GROUND	OPEN CIRCUIT
GB5-43	IN	MODE SWITCH SELECT	SPORT: GROUND	NORMAL: 5V
GB5-44	IN	THROTTLE POTENTIOMETER GROUND	GROUND	OPEN CIRCUIT
GB5-45	OUT	THROTTLE POTENTIOMETER POWER	5V	0V
GB5-49	OUT	SPORT MODE SIGNAL	SPORT MODE: 5V	NORMAL: 0V
GB5-50	IN	GEAR POSITION SELECT "P"	"P": GROUND	"R", "N", "D", "3", "2": OPEN CIRCUIT
GB5-51	OUT	DIAGNOSTIC SOCKET	GROUND	GROUND



