

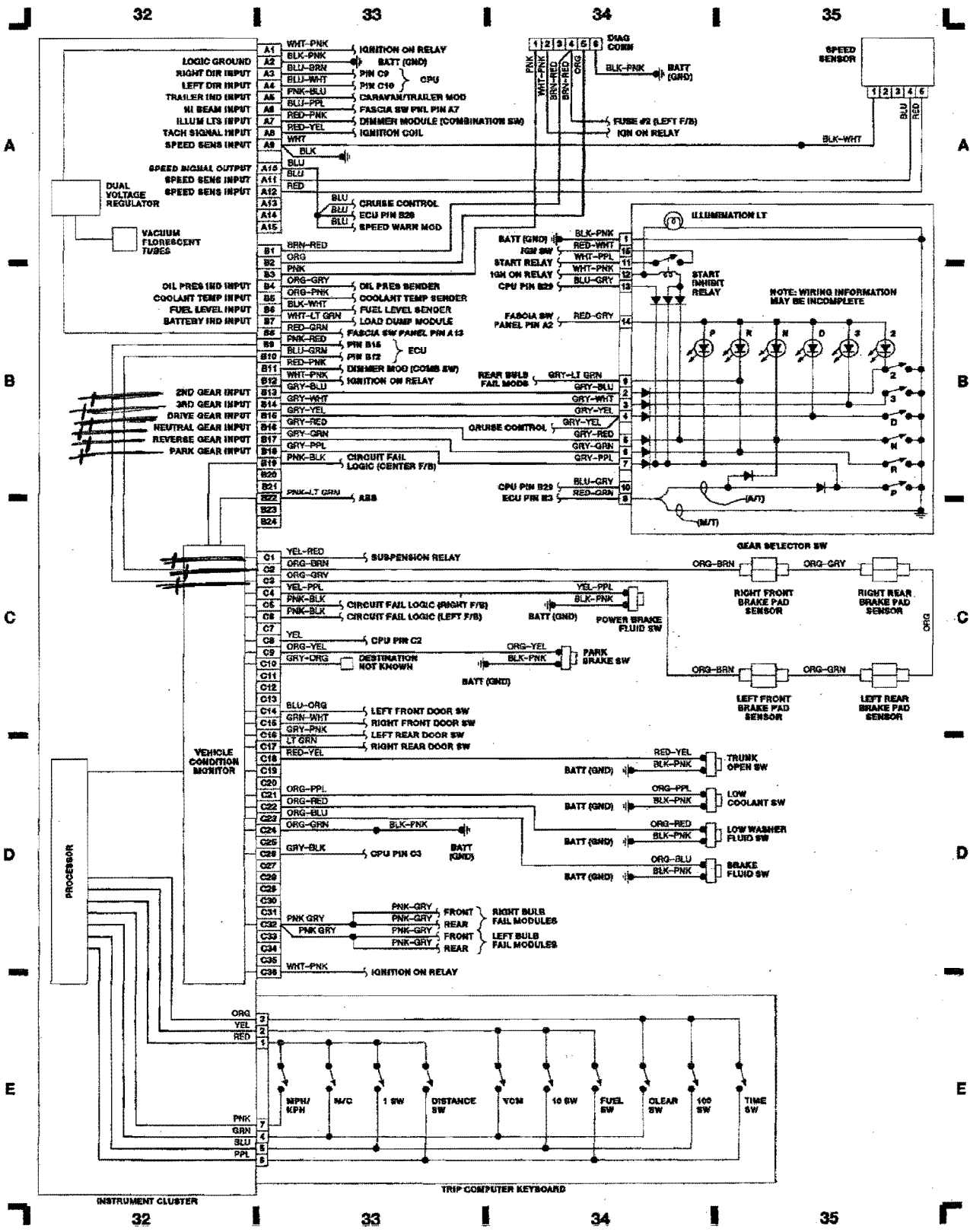
WIRING DIAGRAMS

Fig. 9: Instrument Panel

1988 Jaguar XJ6

For xyz

Copyright © 1998 Mitchell Repair Information Company, LLC
Tuesday, November 22, 2011 03:35PM



INSTRUMENT CLUSTER

TRIP COMPUTER KEYBOARD