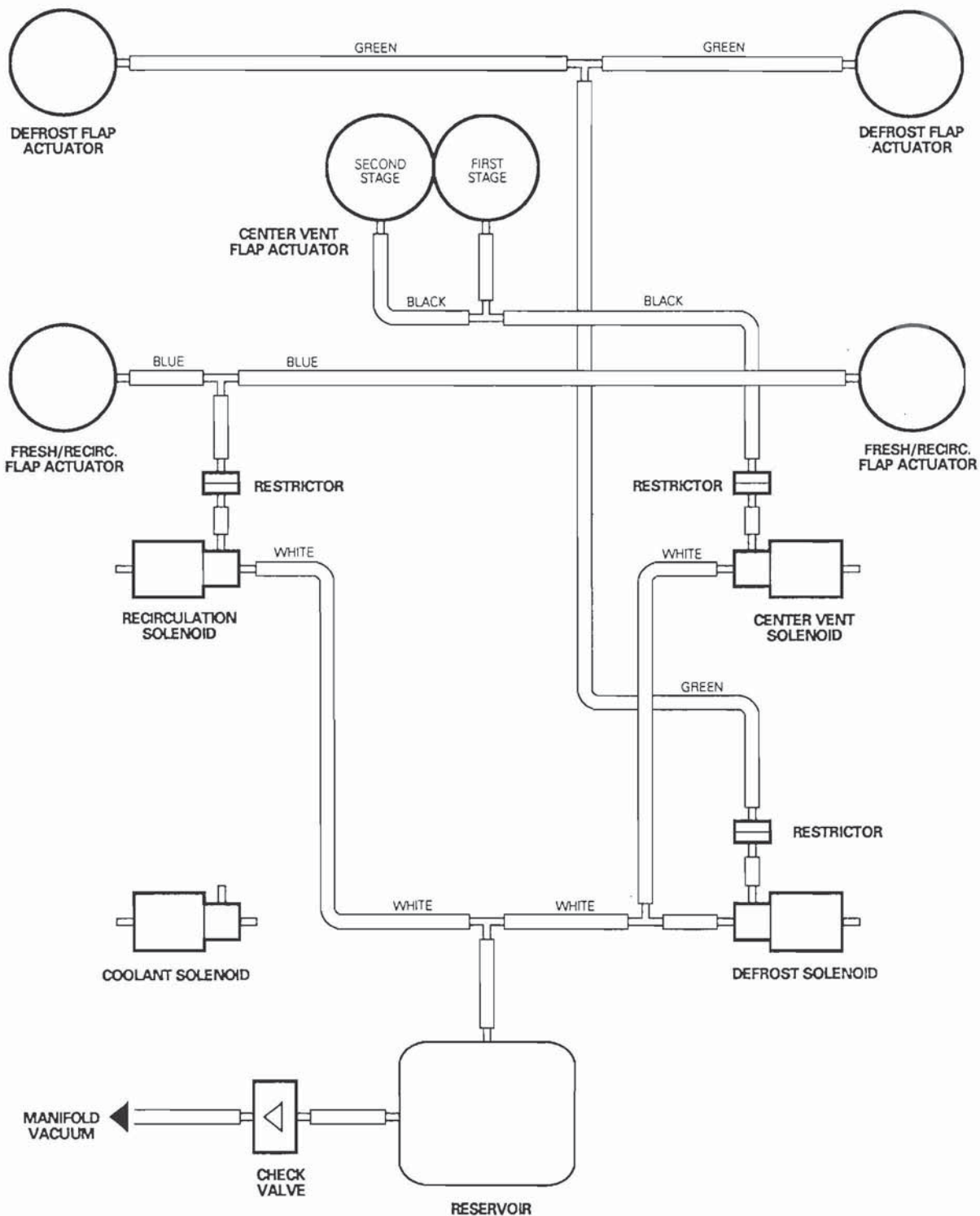


# Mark IV Climate Control

CLIMATE CONTROL VACUUM CIRCUIT: MID 1990 MY

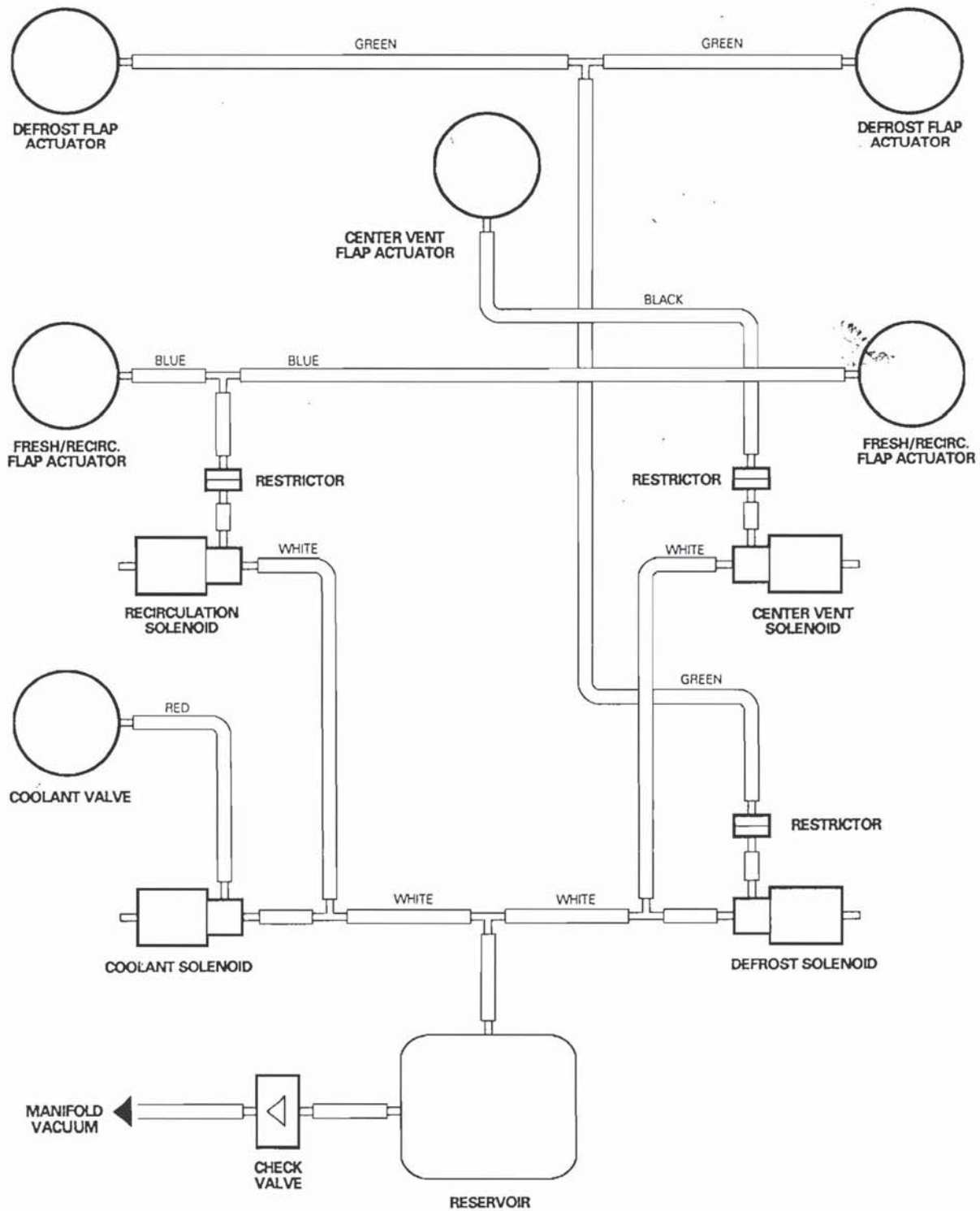


# Mark IV Climate Control

## System Operation (continued)

### Vacuum System (continued)

CLIMATE CONTROL VACUUM CIRCUIT: 1990 MY (LATE) – 1992 MY

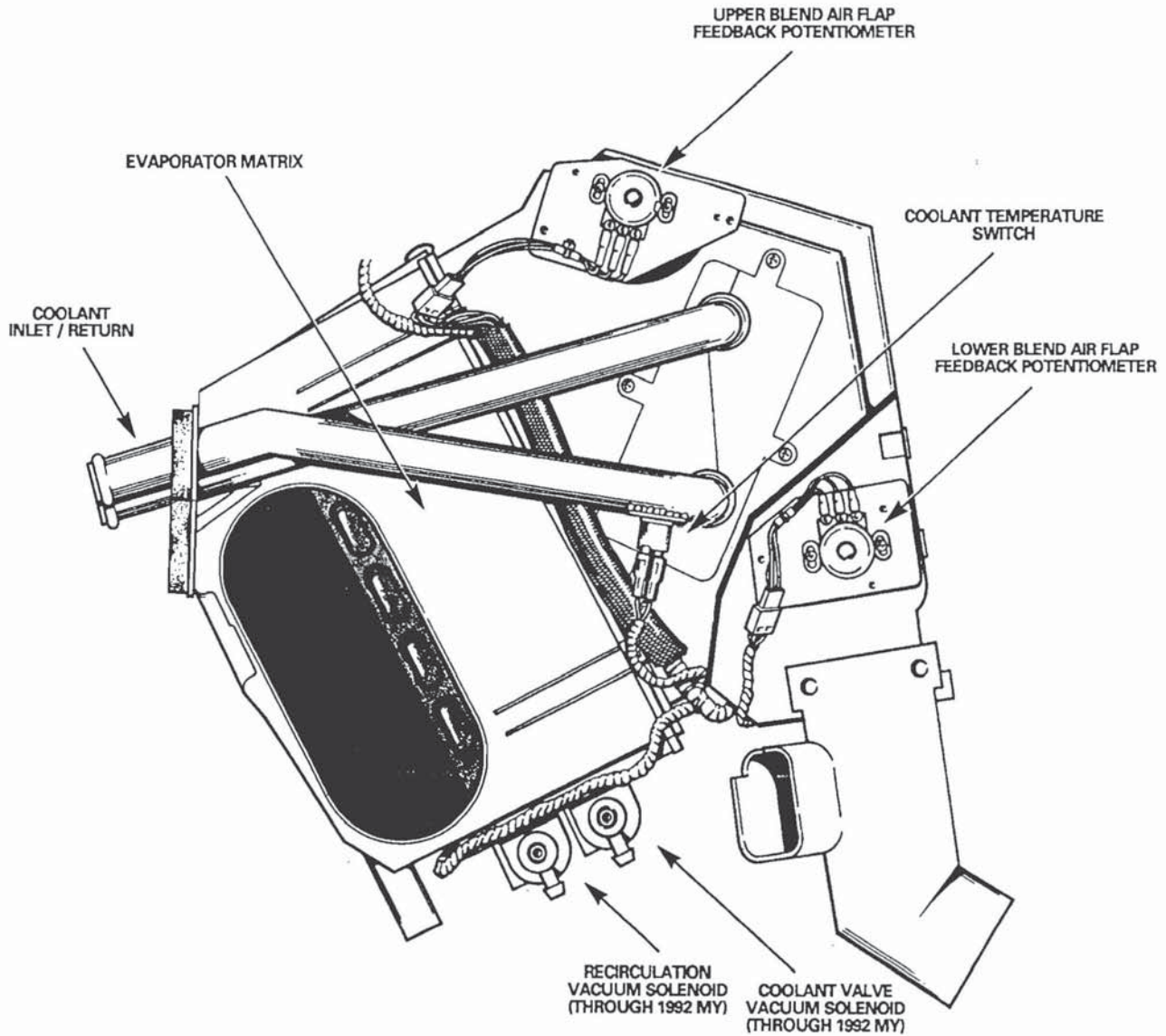


# Mark IV Climate Control

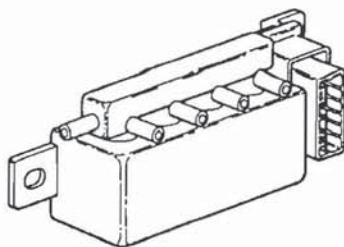
## Components

### Component Location

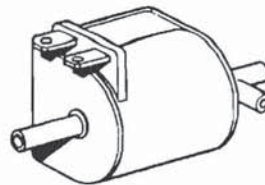
CLIMATE CONTROL UNIT: LEFT SIDE



NOTE: IN 1993 - 94 MY, INDIVIDUAL SOLENOID VACUUM VALVES ARE REPLACED BY A SOLENOID VACUUM VALVE PACK AND MANUAL RECIRCULATION SOLENOID VACUUM VALVE



SOLENOID VACUUM VALVE PACK



MANUAL RECIRCULATION  
SOLENOID VACUUM VALVE

CLIMATE CONTROL UNIT: RIGHT SIDE

