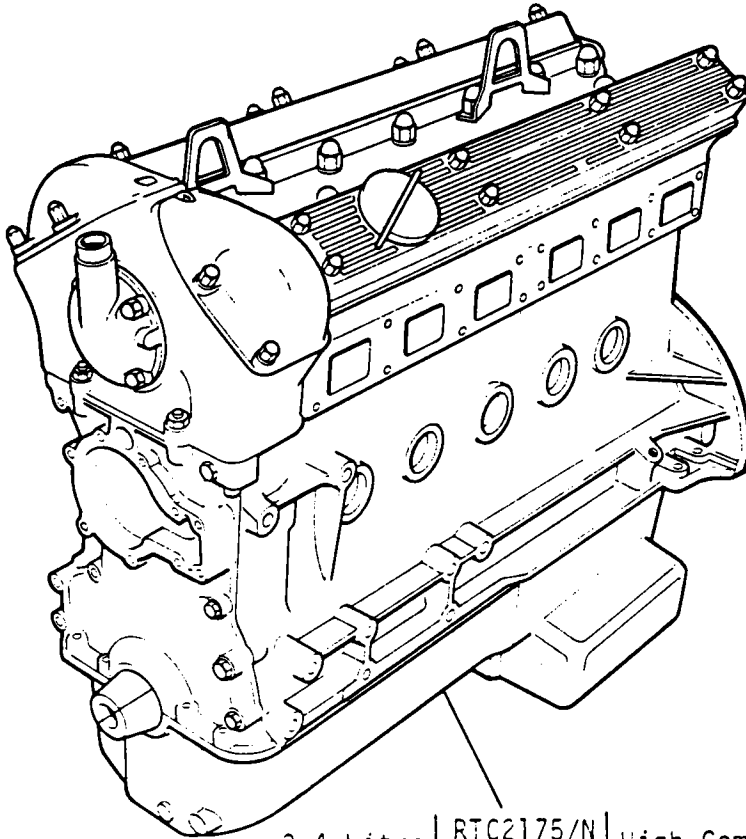


GROUP B  
ENGINE - Stripped Engine Unit



3.4 Litre | RTC2175/N | High Comp  
          | RTC2175/R |

- |           |   |                      |
|-----------|---|----------------------|
| 4.2 Litre | ① | RTC2627/N(High Comp) |
|           | ① | RTC2627/R(High Comp) |
|           | ② | RTC2715/N (Std Comp) |
|           | ③ | RTC2722/N(High Comp) |
|           | ④ | RTC2791/N(Std Comp)  |
|           | ⑤ | JLM855/N(Std Comp)   |

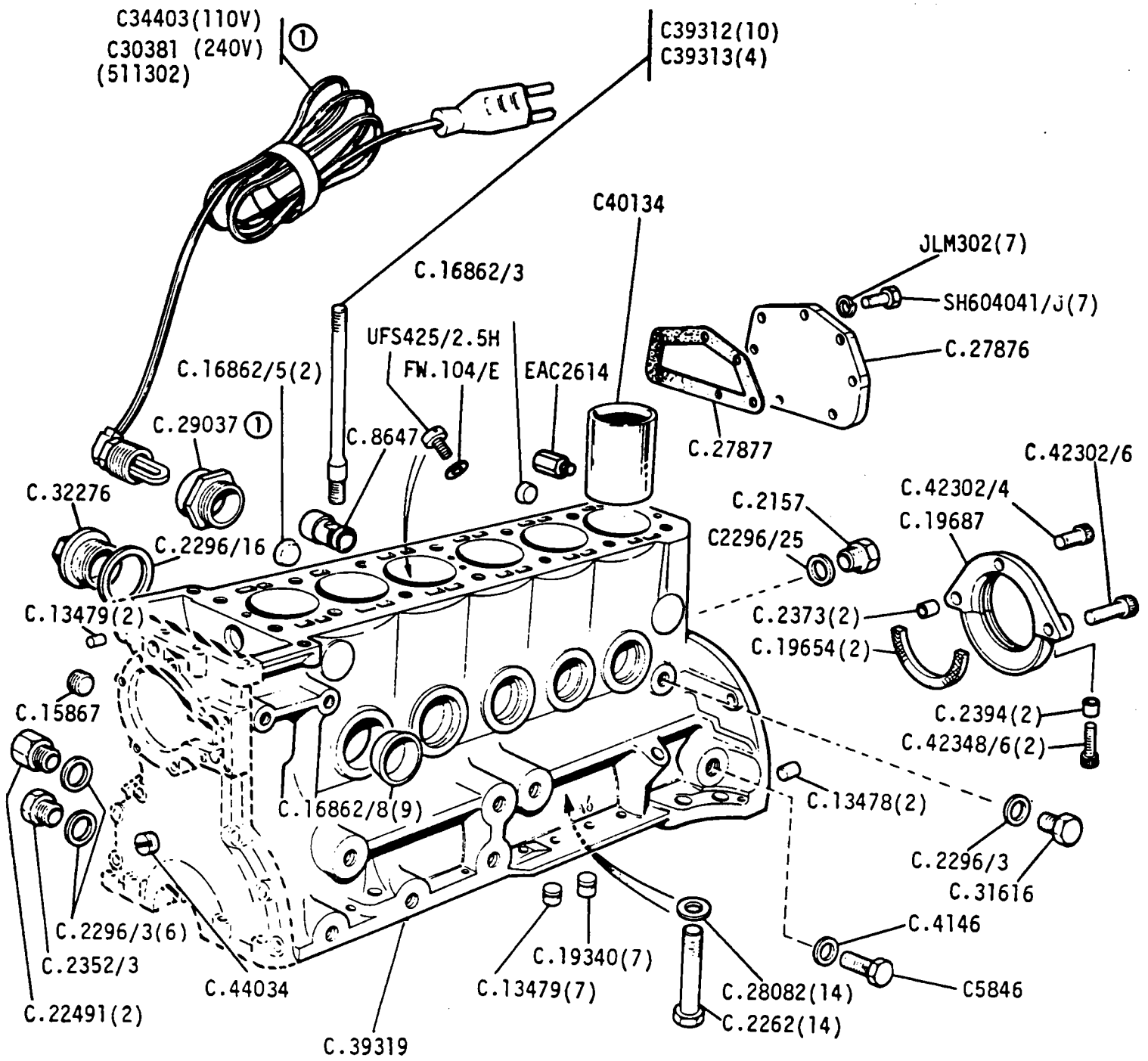
Stripped Engine Unit

- |  |                   |
|--|-------------------|
| JLM1411/N (3.4 Litre High Comp)                    | Short Engine Unit |
| JLM1412/N (4.2 Litre High Comp)                    |                   |
| JLM1413/N (4.2 Litre Std Comp - USA Air Injection) |                   |
| JLM1414/N (4.2 Litre Std Comp - Non Air Injection) |                   |

- |  |  |
|--|--|
| <p>① HIGH COMPRESSION(Non Air Injection)</p> <p>② STD. COMPRESSION(Air Injection - USA)</p> <p>③ HIGH COMPRESSION (Air Injection)</p> <p>④ STD.COMPRESSION (Non Air Injection)</p> <p>⑤ STD COMPRESSION (Air Injection - Emiss "F" Germany/Switzerland)<br/>(Fitted from Engine No. 8L.209816)</p> | <p>Compression Ratio can be identified by Suffix letters on Engine Serial Number</p> |
|--|--|

Jaguar XJ6 3.4 and 4.2 and Jaguar Sovereign 4.2 Series 3  
Daimler 4.2 and Jaguar Vanden Plas Series 3

GROUP B  
ENGINE -Cylinder Block and Rear Oil Seal(3.4 Litre)



①,Special Order

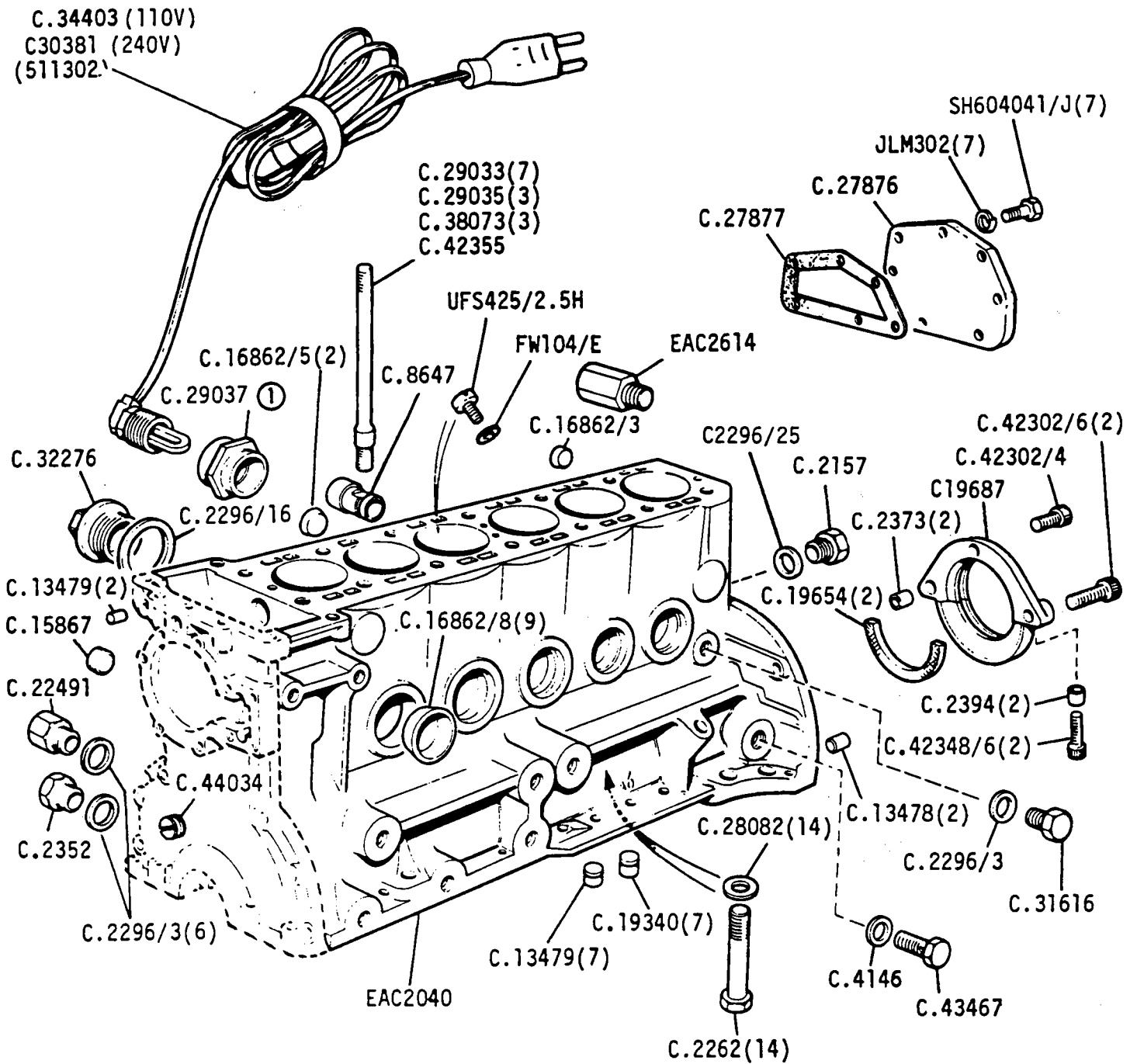
SM5384

JLM 604 Graphite Oil 1 Litre Can

Jaguar XJ6 3.4 Series 3

1C 02R

GROUP B  
ENGINE-Cylinder Block and Rear Oil Seal(4.2 Litre)



① Special Order

JLM604 Graphite Oil 1 Litre Can

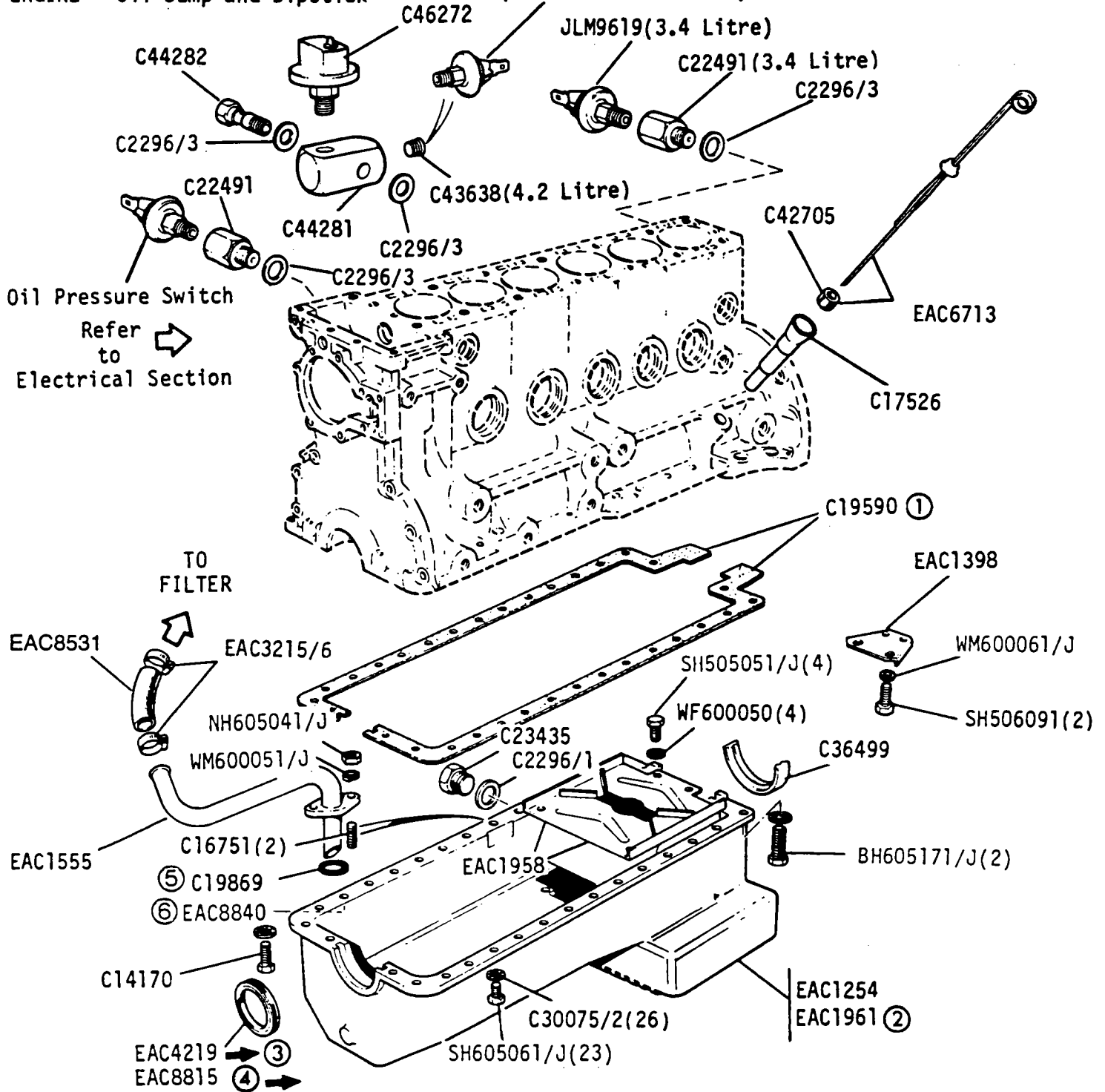
Jaguar XJ6 4.2 and Jaguar Sovereign 4.2 Series 3  
 Daimler 4.2 and Jaguar Vanden Plas Series 3

VS1890

1C 03L

GROUP B  
ENGINE - Oil Sump and Dipstick

JLM9619(3.4 Litre)  
(A.R.O. Valve Switch)



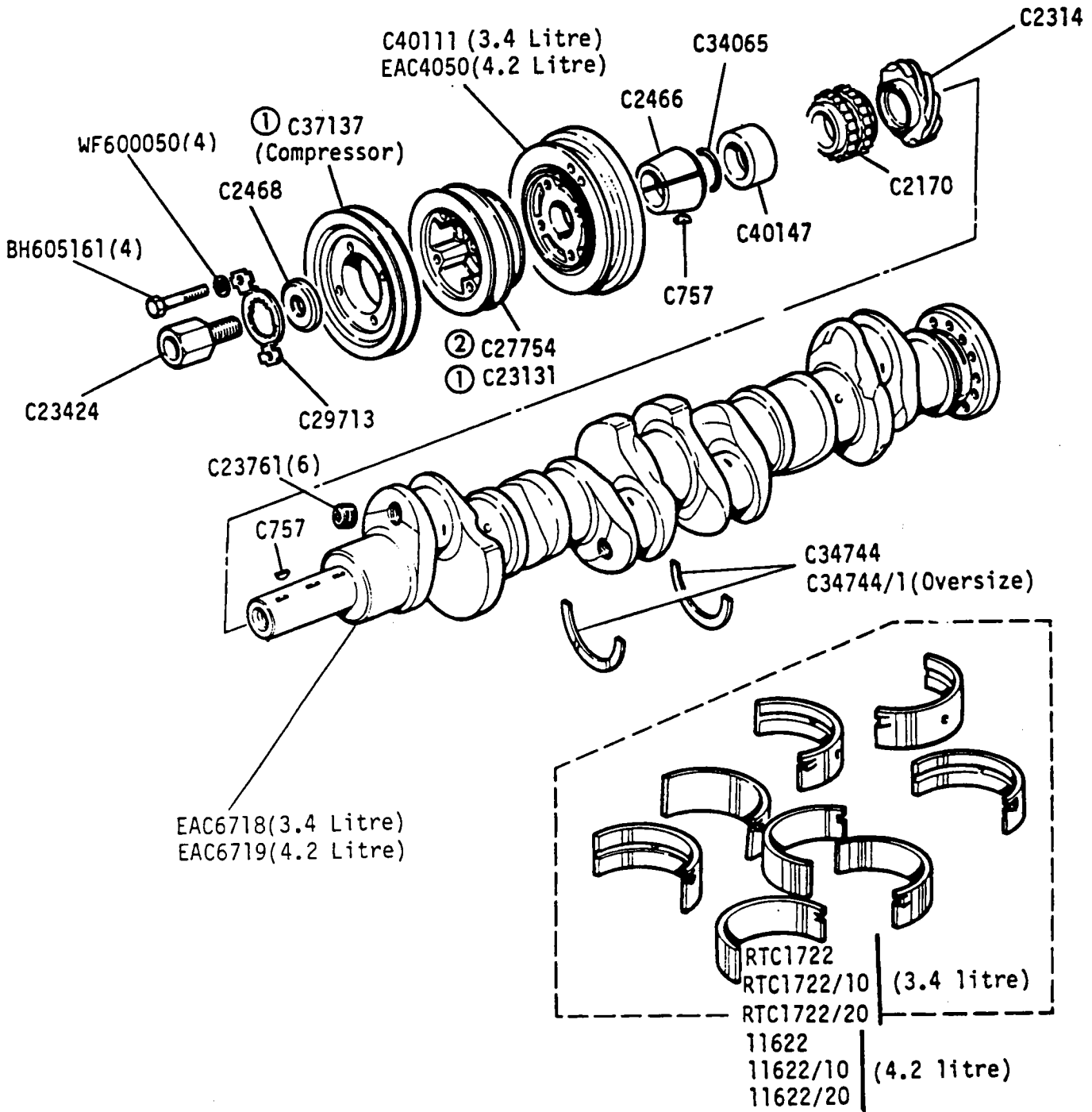
- ① Part of JLM9713 Gasket Kit
- ② Vehicles with Exhaust Catalyst fitted
- ③ 8L.203237
- ④ 8L.203238
- ⑤ → 8A.16890/8L.216060
- ⑥ 8A.16891/8L.216061 →

SM5385

Jaguar XJ6 3.4 and 4.2 and Jaguar Sovereign 4.2 Series 3  
Daimler 4.2 and Jaguar Vanden Plas Series 3

1C 03R

GROUP B  
ENGINE - Crankshaft and Main Bearings



① Air-Con only

② Less Air-Con

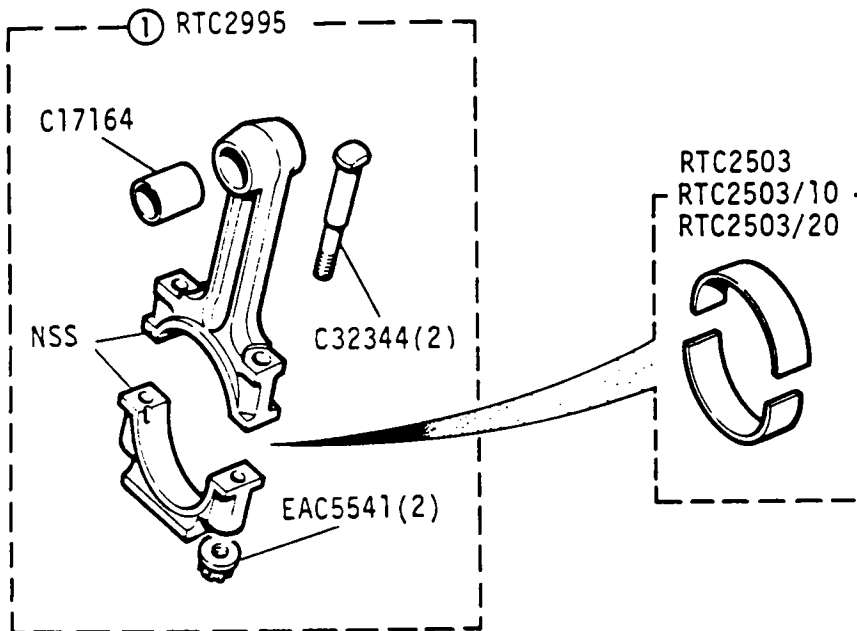
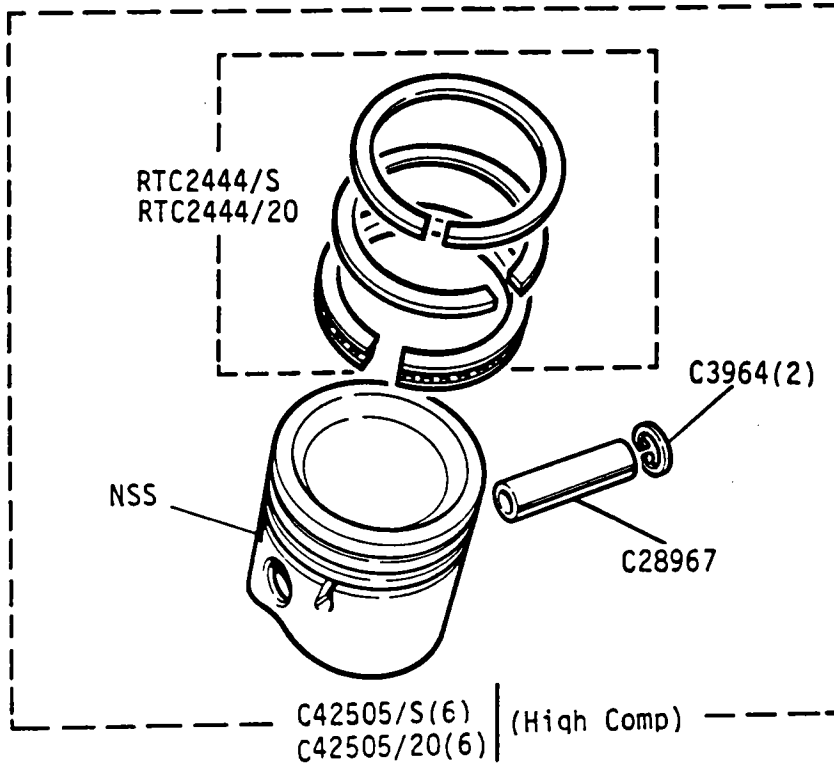
JLM1171 Crankcase Service Kit

VS1797

Jaguar XJ6 3.4 and 4.2 and Jaguar Sovereign 4.2 Series 3  
Daimler 4.2 and Jaguar Vanden Plas Series 3

1C 04L

GROUP B  
ENGINE - Piston and Conn Rod(3.4 LITRE ONLY)

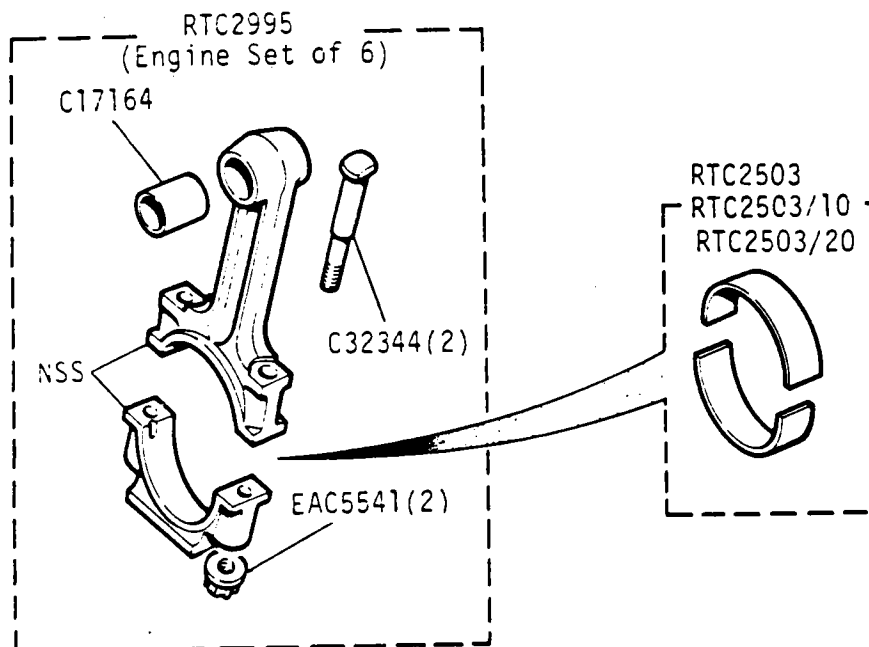
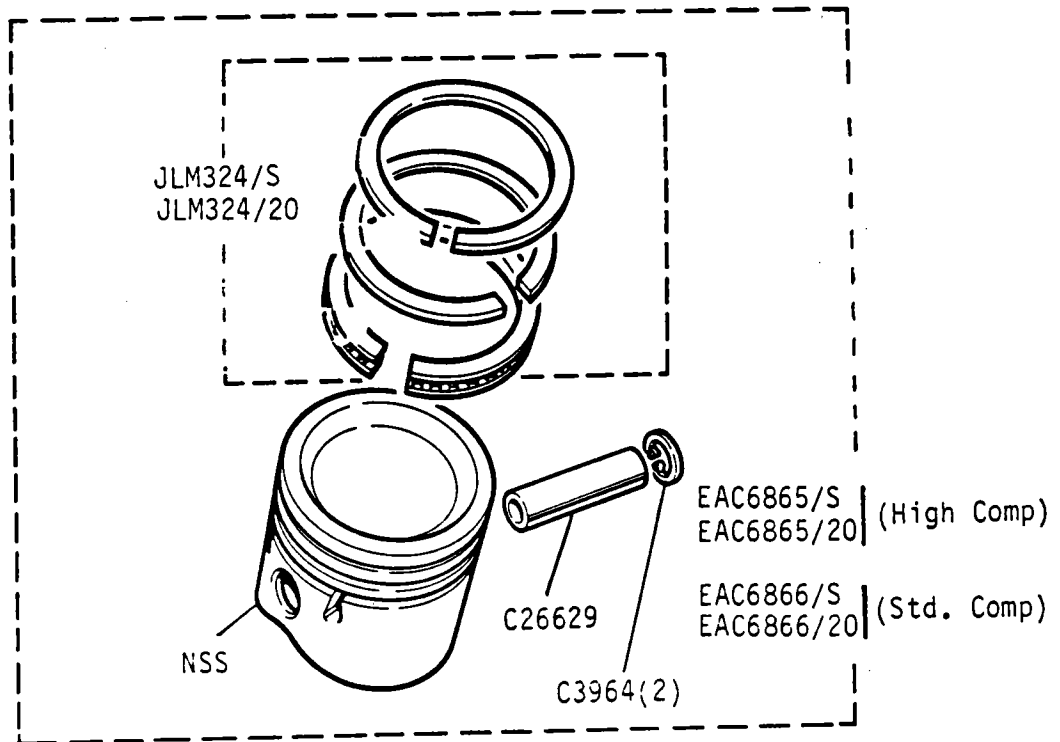


① Engine Set of 6.

VS3696

GROUP B

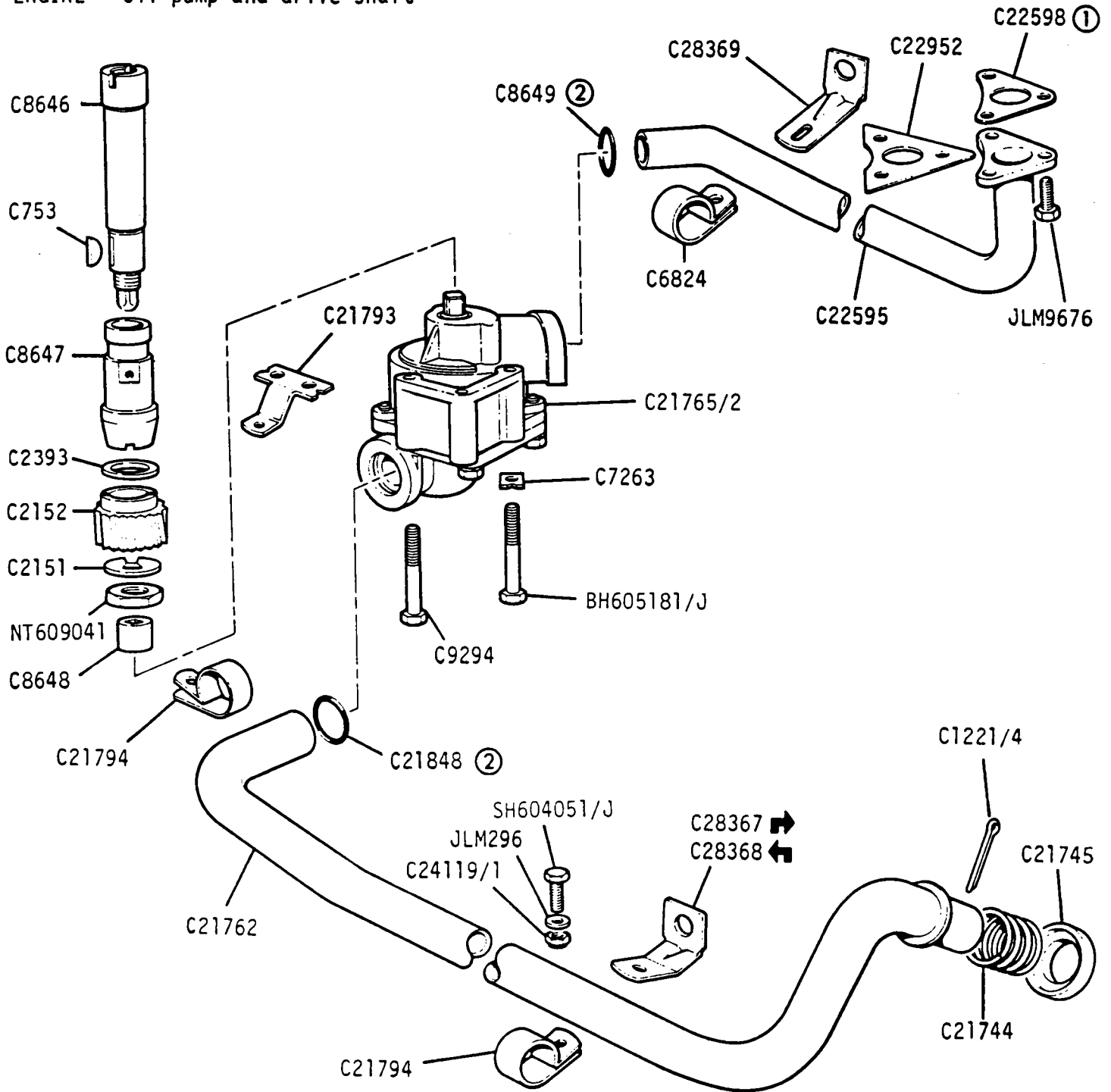
ENGINE-Piston and Conn Rod(4.2 Litre only)



Compression Ratio can be identified by Suffix letters on Engine Serial Number

Jaguar XJ6 4.2 and Jaguar Sovereign Series 3  
Daimler 4.2 and Jaguar Vanden Plas Series 3

GROUP B  
ENGINE - Oil pump and drive shaft



- ① Part of JLM9713 Gasket Kit
- ② Part of 10527 Seals Kit

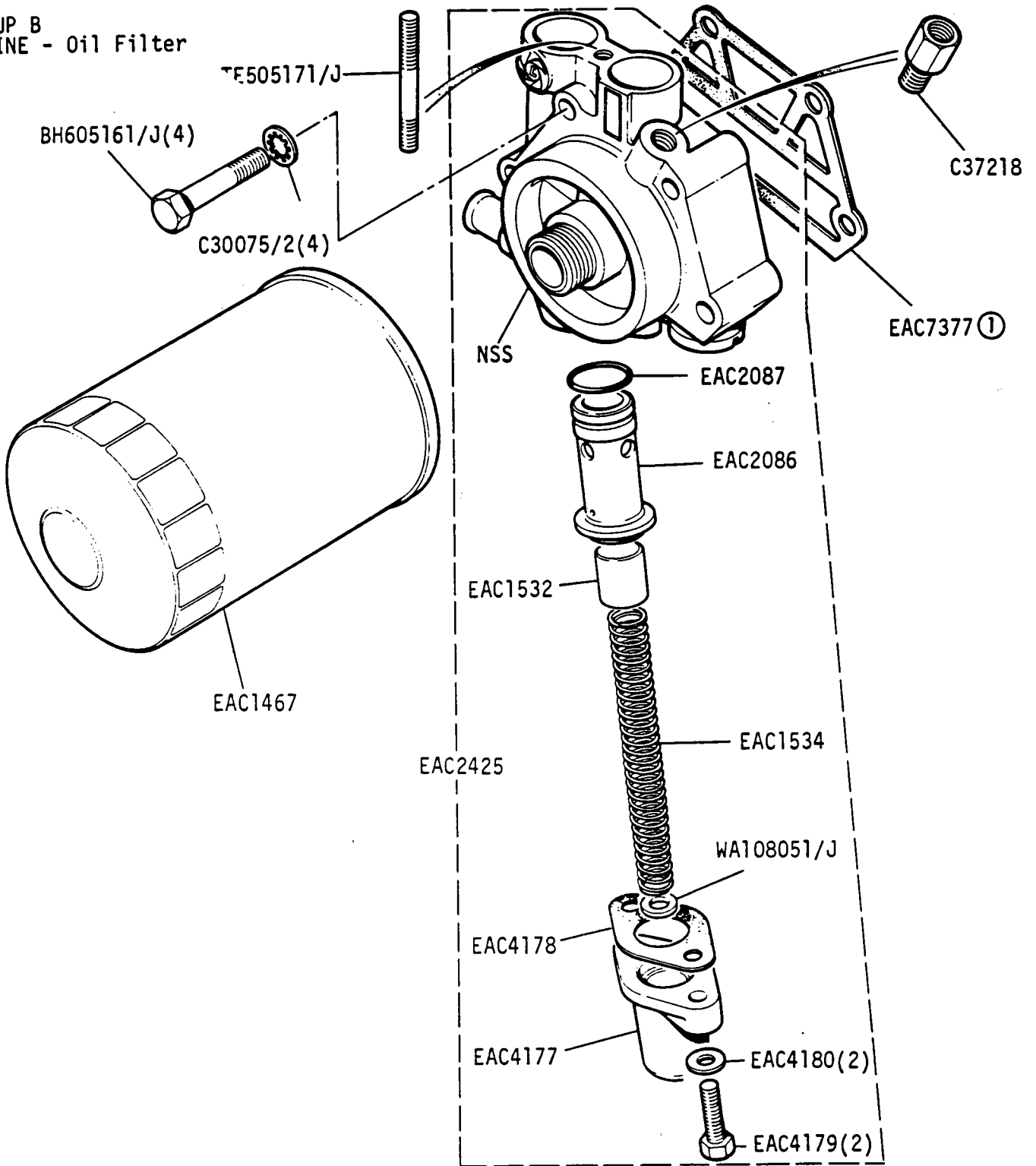
SM1003/A

Jaguar XJ6 3.4 and 4.2 and Jaguar Sovereign 4.2 Series 3  
Daimler 4.2 and Jaguar Vanden Plas Series 3

1C 05R



GROUP B  
ENGINE - Oil Filter



① Part of JLM9713 Gasket Kit

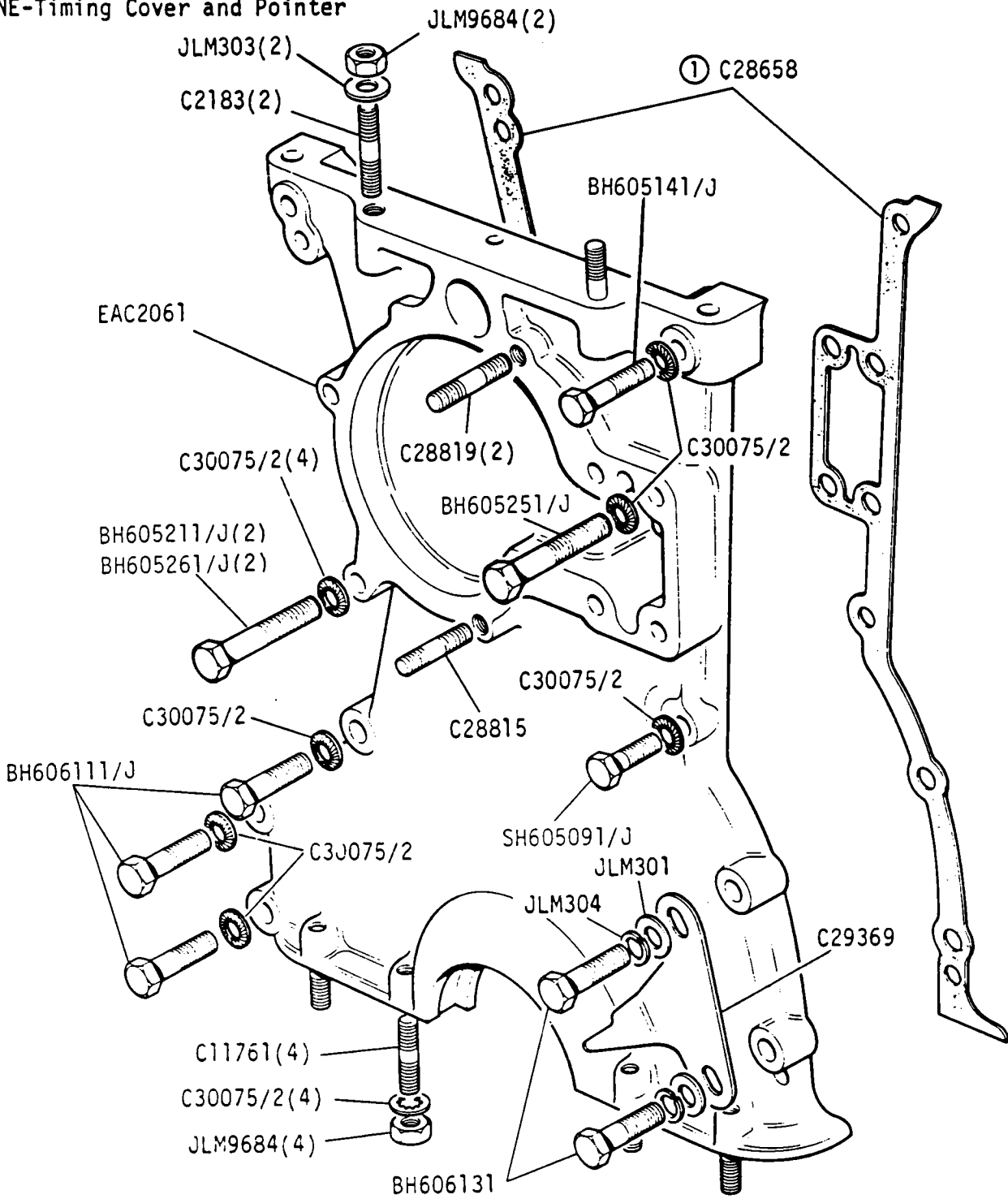
VS1004

Jaguar XJ6 3.4 and 4.2 and Jaguar Sovereign 4.2 Series 3  
Daimler 4.2 and Jaguar Vanden Plas Series 3

1C 06L

GROUP B

ENGINE-Timing Cover and Pointer



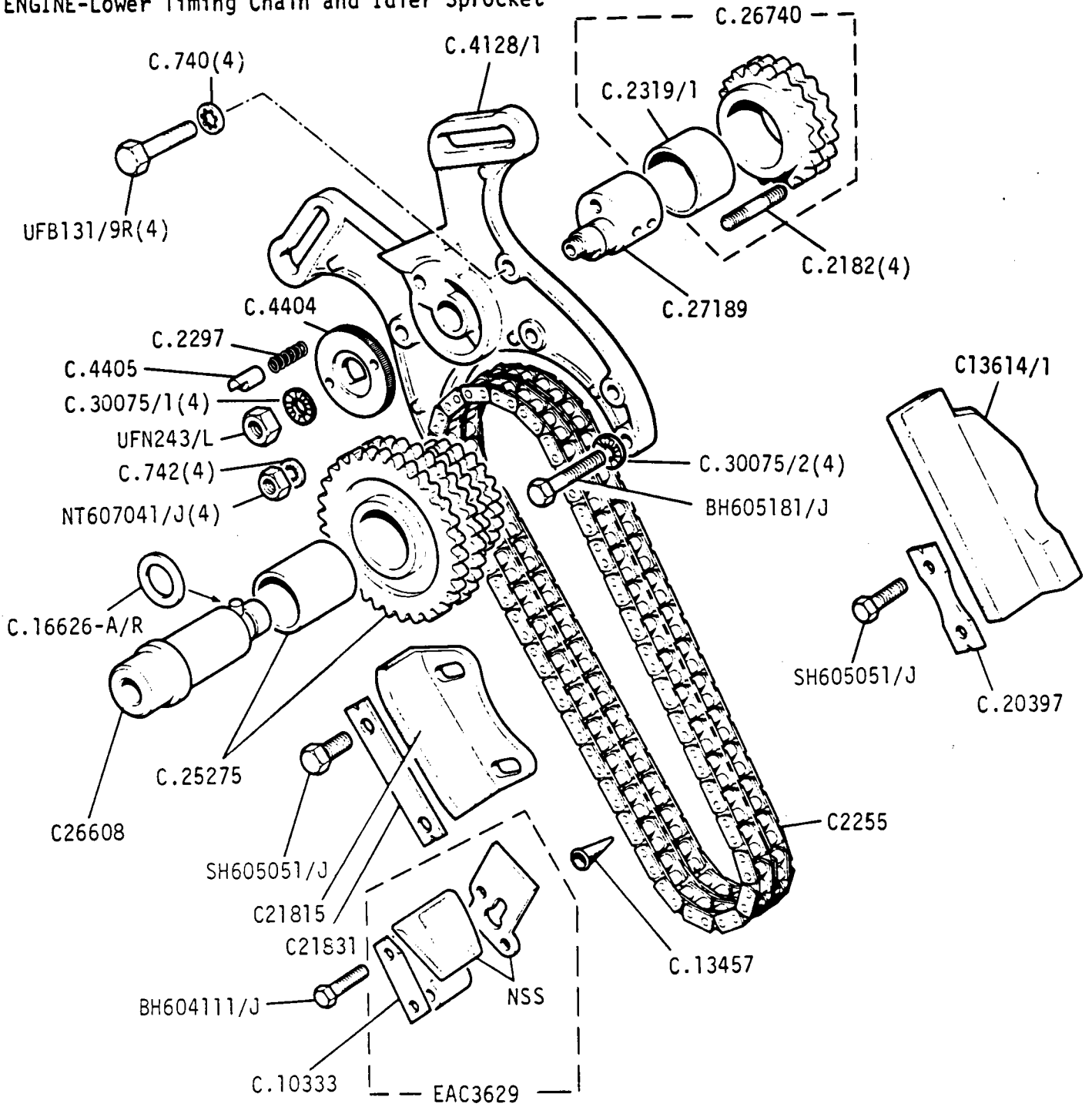
① Part of JLM9713 Gasket Kit

VS1522

Jaguar XJ6 3.4 and 4.2 and Jaguar Sovereign 4.2 Series 3  
Daimler 4.2 and Jaguar Vanden Plas Series 3

1C 06R

GROUP B  
ENGINE-Lower Timing Chain and Idler Sprocket:

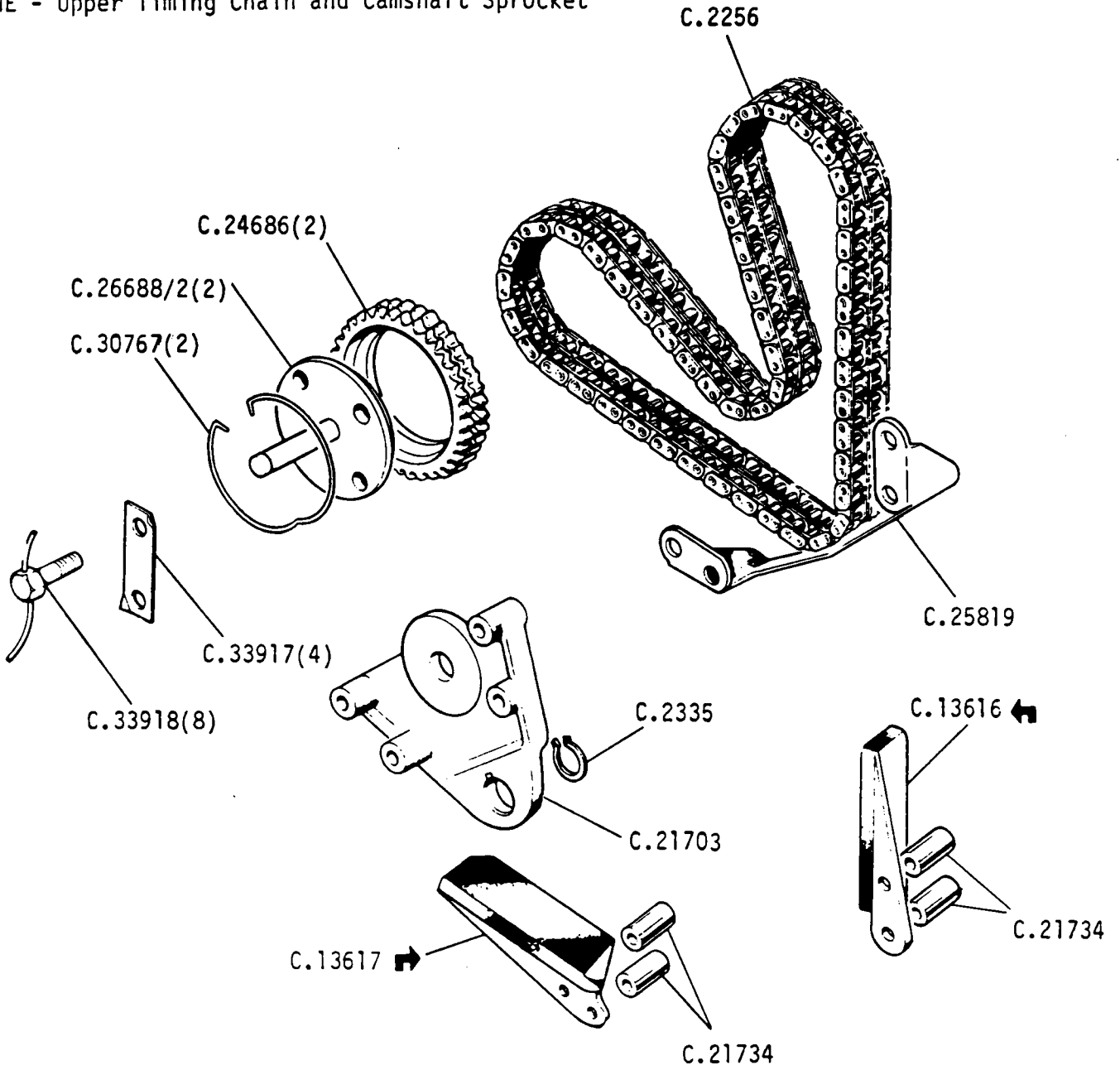


SM1044/A

Jaguar XJ6 3.4 and 4.2 and Jaguar Sovereign Series 3  
Daimler 4.2 and Jaguar Vanden Plas Series 3

1C 07L

GROUP B  
ENGINE - Upper Timing Chain and Camshaft Sprocket

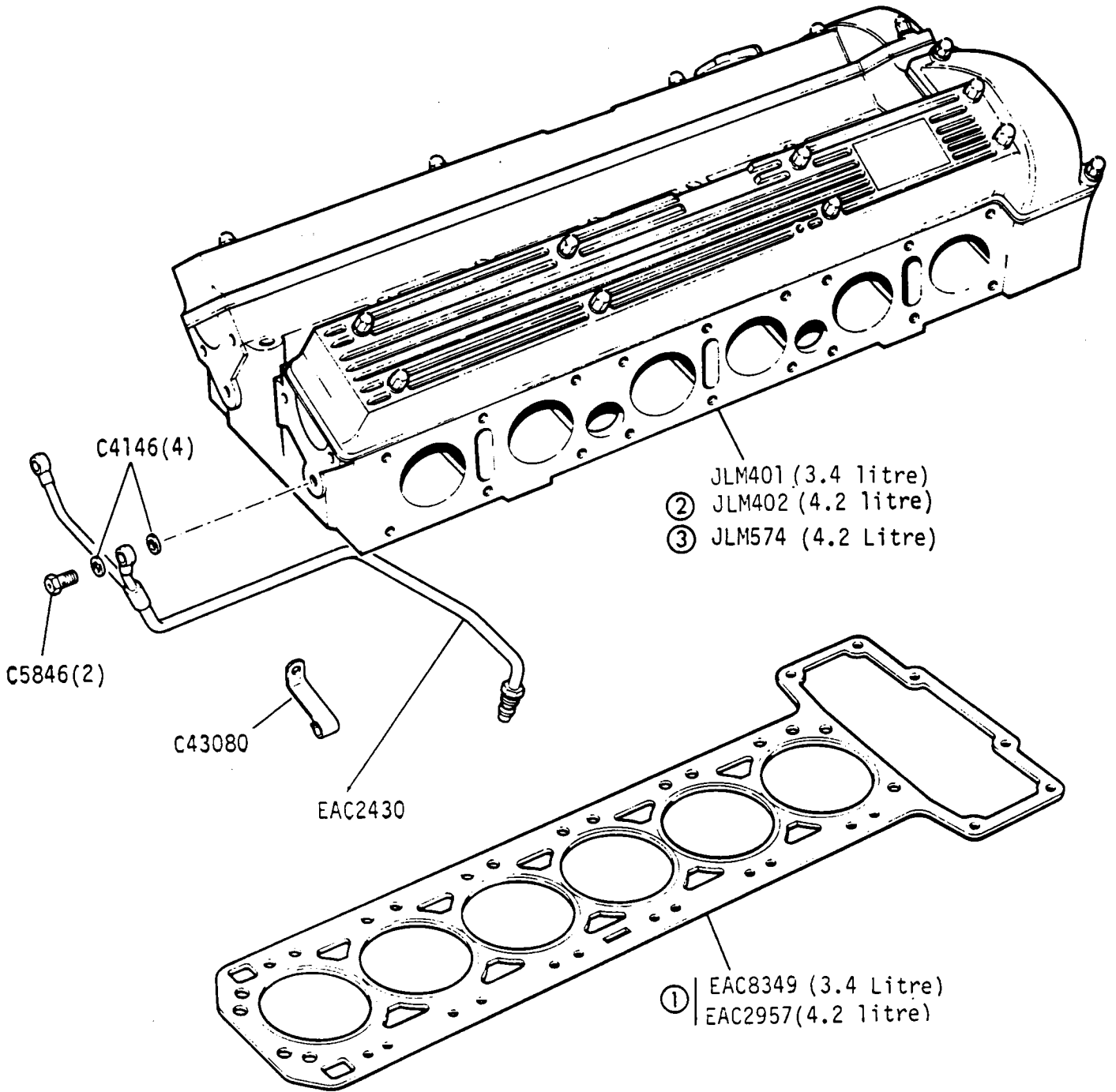


SM5179

Jaguar 3.4 and 4.2 and Jaguar Sovereign Series 3  
Daimler 4.2 and Jaguar Vanden Plas Series 3

1C 07R

GROUP B  
ENGINE-Cylinder Head (Complete) and Oil Gallery Feed Pipe



① Also supplied as Part of Decarbonising Gasket Kits

② European only(Less Air Injection)

Note:- Complete Cylinder Heads not supplied for Engines fitted with Air Rail(ie USA/AUS)

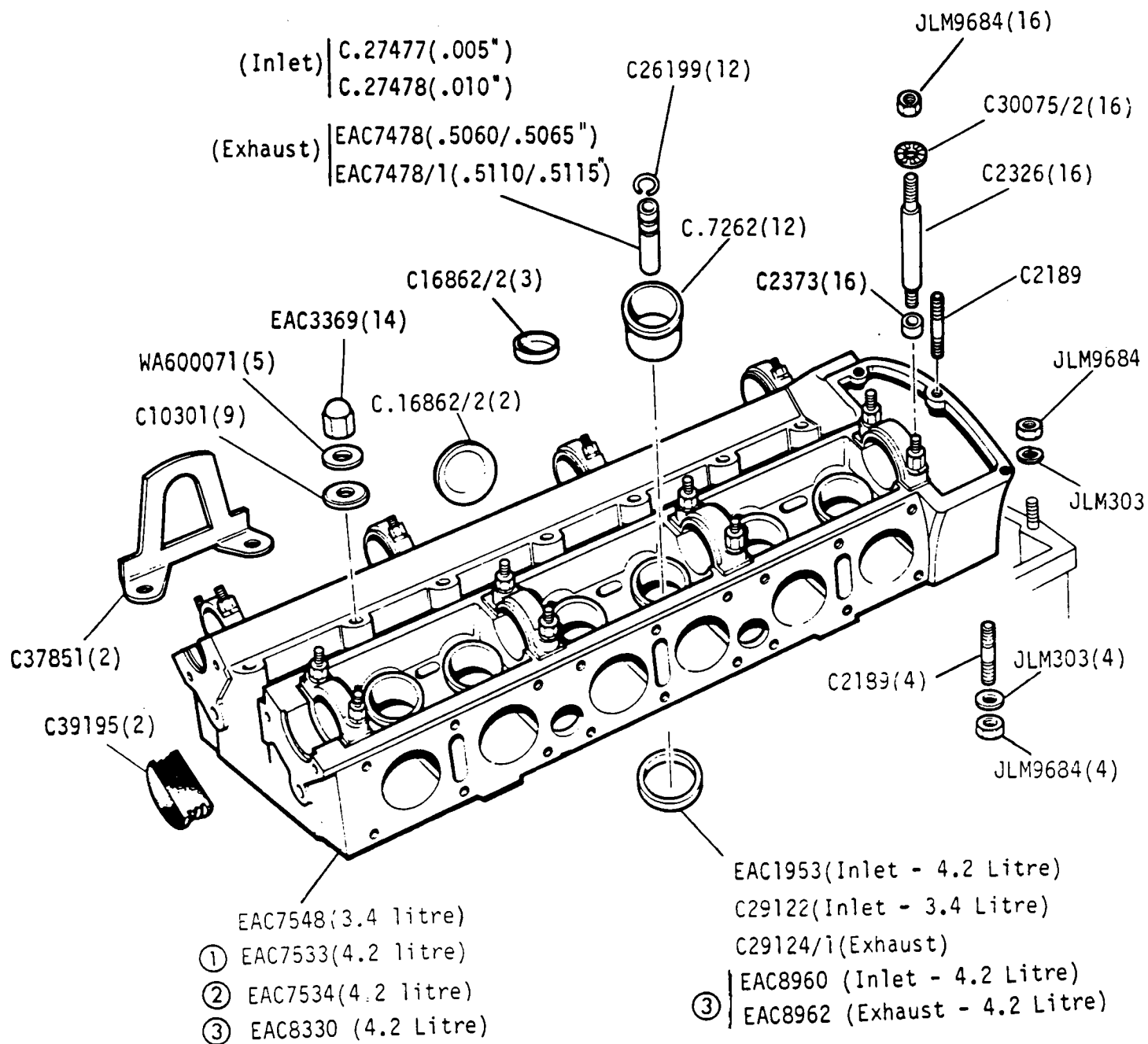
③ Germany/Switzerland (Air Injection - Emiss "F")  
(Fitted from Engine No 8L.209816)

Jaguar XJ6 3.4 and 4.2 and Jaguar Sovereign Series 3  
Daimler 4.2 and Jaguar Vanden Plas Series 3

VS3301

1C 08L

GROUP B  
ENGINE-Cylinder head(less Camshaft,Valves andSprings)



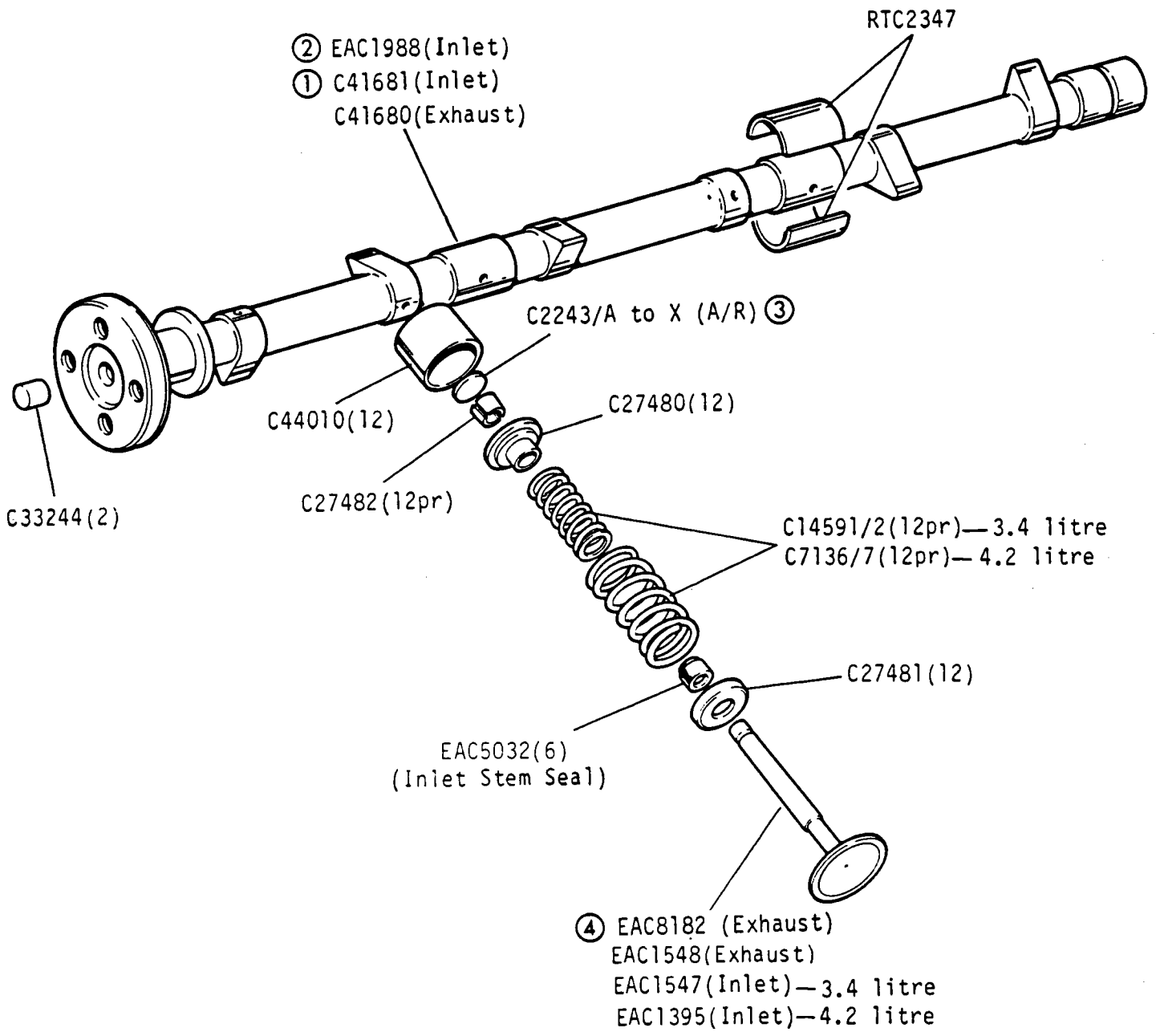
- ① Non Air-injection Engine
- ② Air Injection Engine
- ③ Germany/Switzerland (Emission "F")  
(Fitted from Engine No 8L.209816)

SM5537

Jaguar 3.4 and 4.2 and Jaguar Sovereign Series 3  
Daimler 4.2 and Jaguar Vanden Plas Series 3

1C 08R

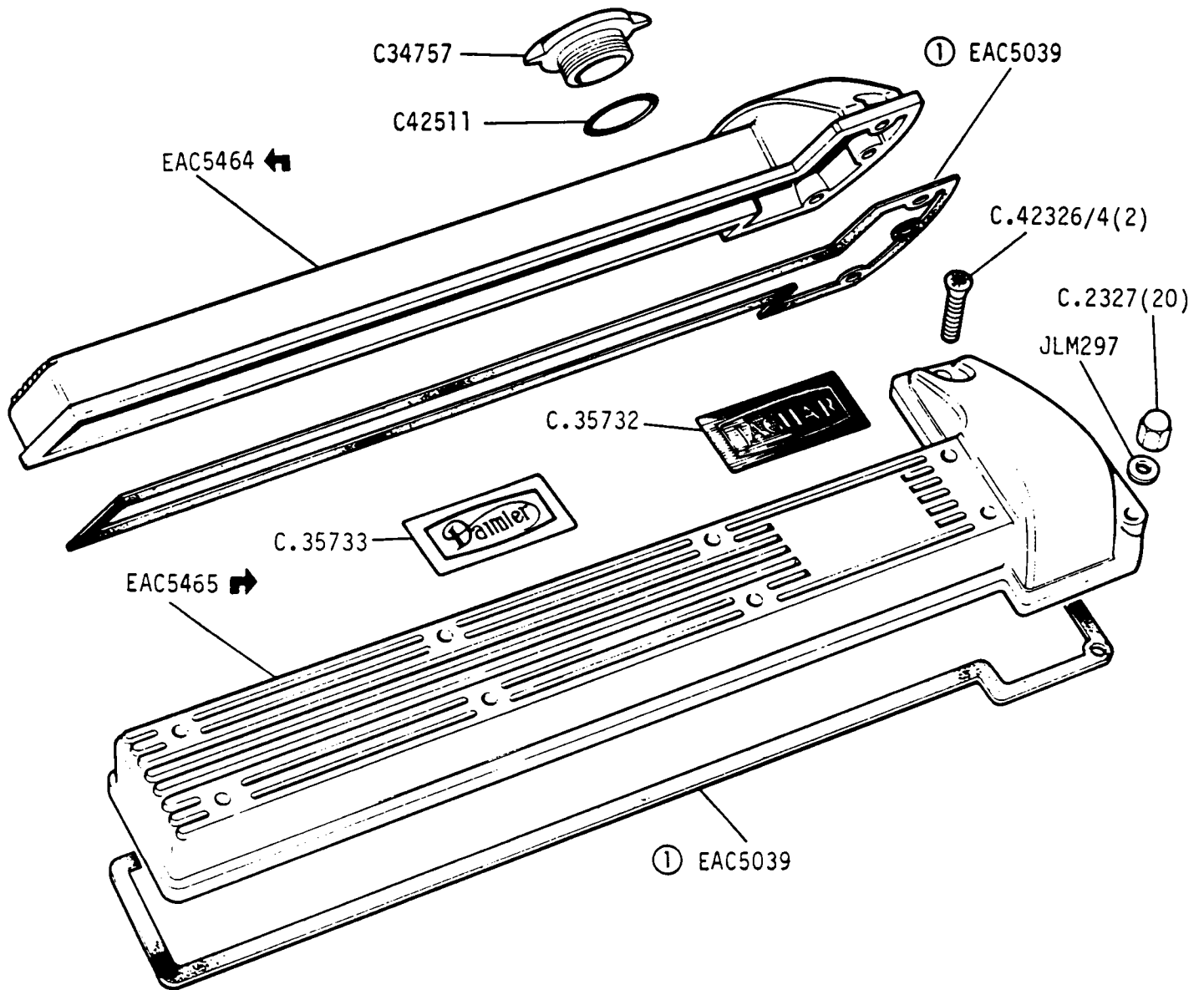
GROUP B  
ENGINE-Camshafts and Valves



- |   |  |
|---|--|
| ① 4.2 (Air Injection) and 3.4   | ③ C2243/A to X (Selected Sizes) Adjusting Pads<br>increase in .001" thickness from C2243/A(.085")<br>to C2243/X(.108") |
| ② 4.2 (Less Air Injection)  |  |
| ④ Germany/Switzerland (4.2 Litre - Emiss "F" )<br>(Fitted from Engine No 8L.209816) |  |

Jaguar 3.4 and 4.2 and Jaguar Sovereign Series 3  
Daimler 4.2 and Jaguar Vanden Plas Series 3

GROUP B  
ENGINE-Camshaft Covers and Oil Filler Cap



① Part of Decarbonising Gasket Kit

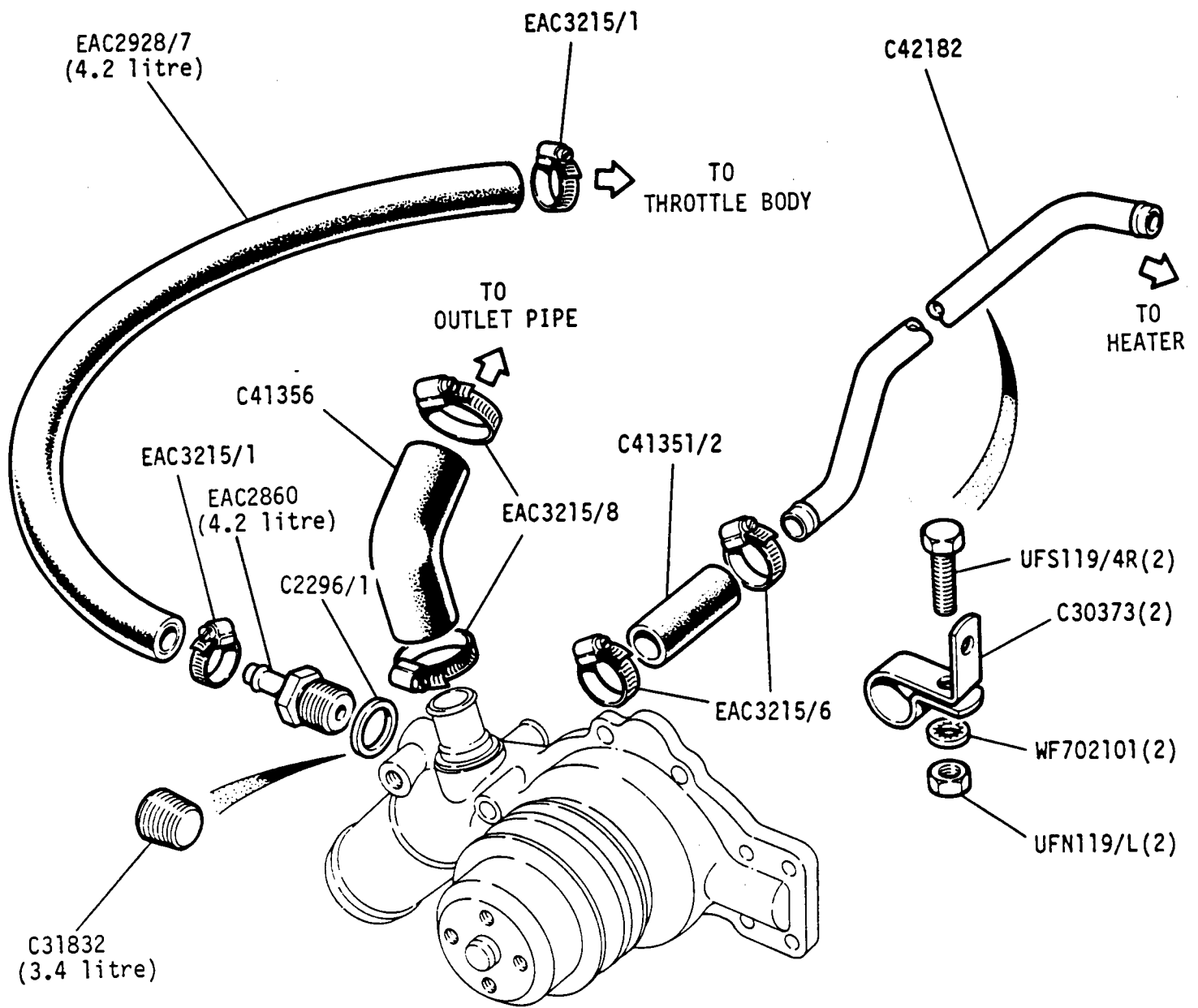
SM5536

Jaguar XJ6 3.4 and 4.2 and Jaguar Sovereign 4.2 Series 3  
Daimler 4.2 and Jaguar Vanden Plas Series 3

TC 09R



GROUP B  
ENGINE - Engine Water Hoses

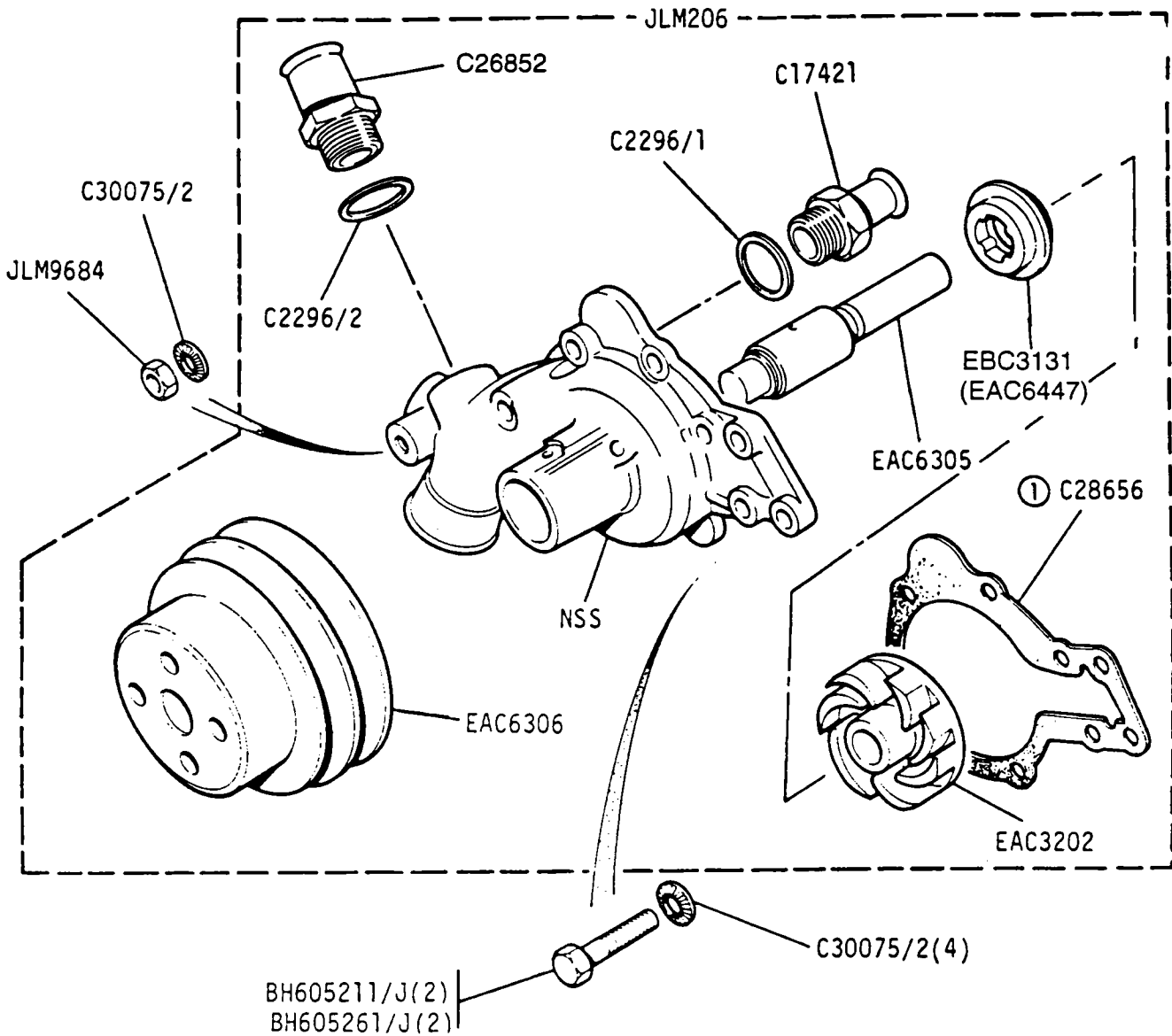


VS3598

Jaguar 3.4 and 4.2 and Jaguar Sovereign Series 3  
Daimler 4.2 and Jaguar Vanden Plas Series 3

1C 10L

GROUP B  
ENGINE-Water Pump Assembly



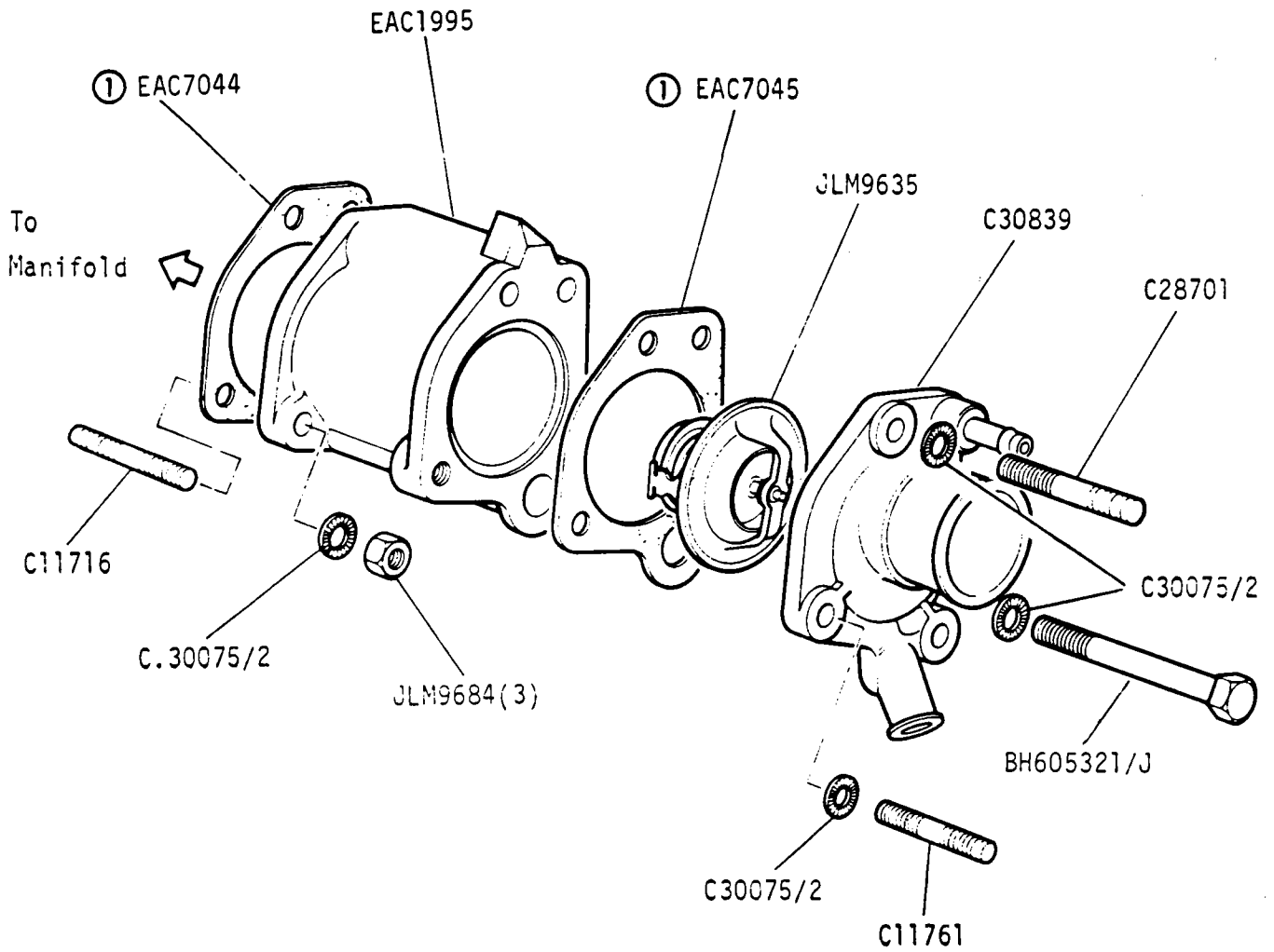
① Part of JLM9713 Gasket Kit

VS3419

Jaguar 3.4 and 4.2 and Jaguar Sovereign Series 3  
Daimler 4.2 and Jaguar Vanden Plas Series 3

1C 10R

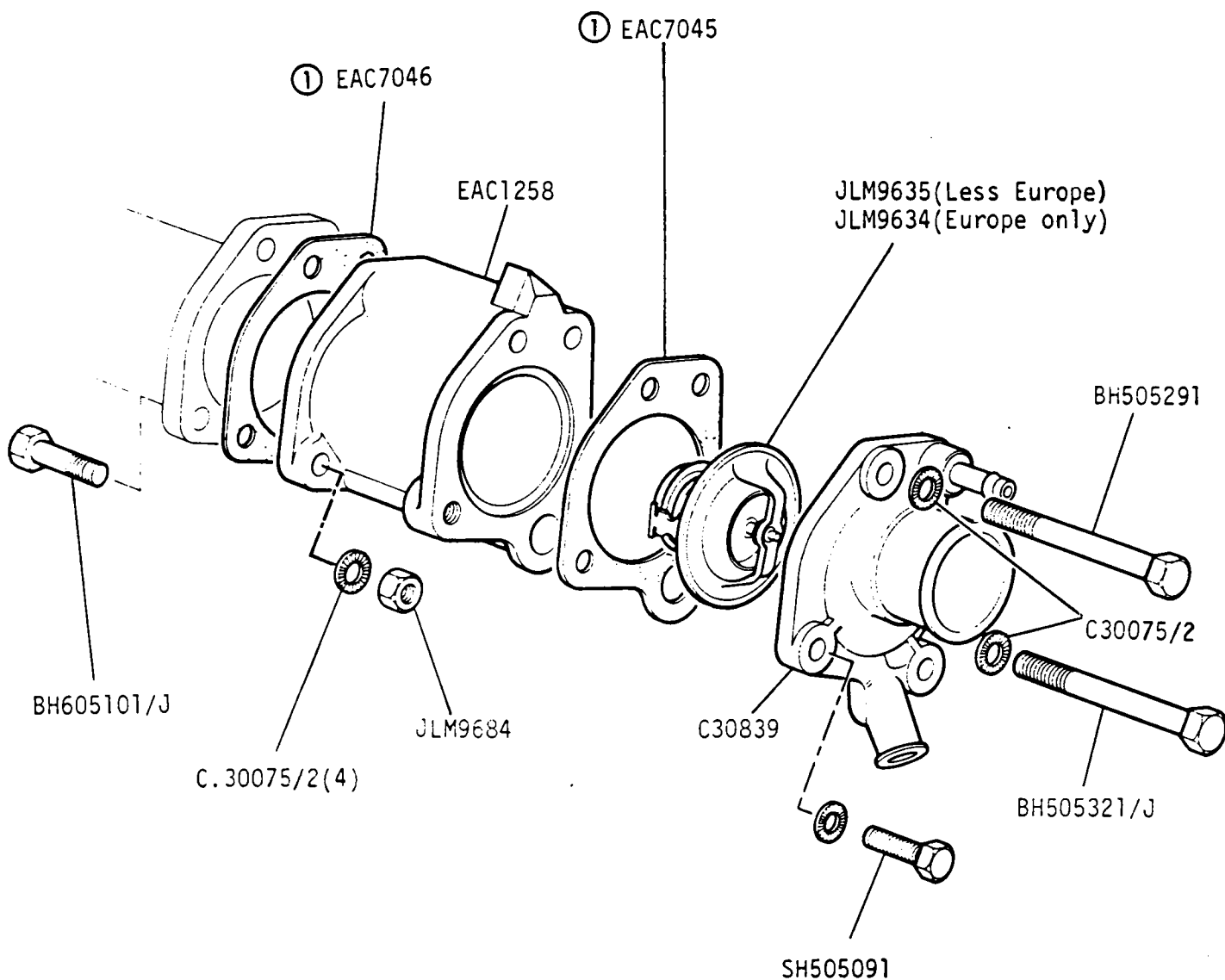
GROUP B  
 THERMOSTAT -Thermostat Housing and Water Outlet Pipe (3.4 Litre)



① Part of JLM953T Decarbonising Gasket Kit

VS3988

GROUP B  
ENGINE - Thermostat Housing and Water Outlet Pipe (4.2 litre)



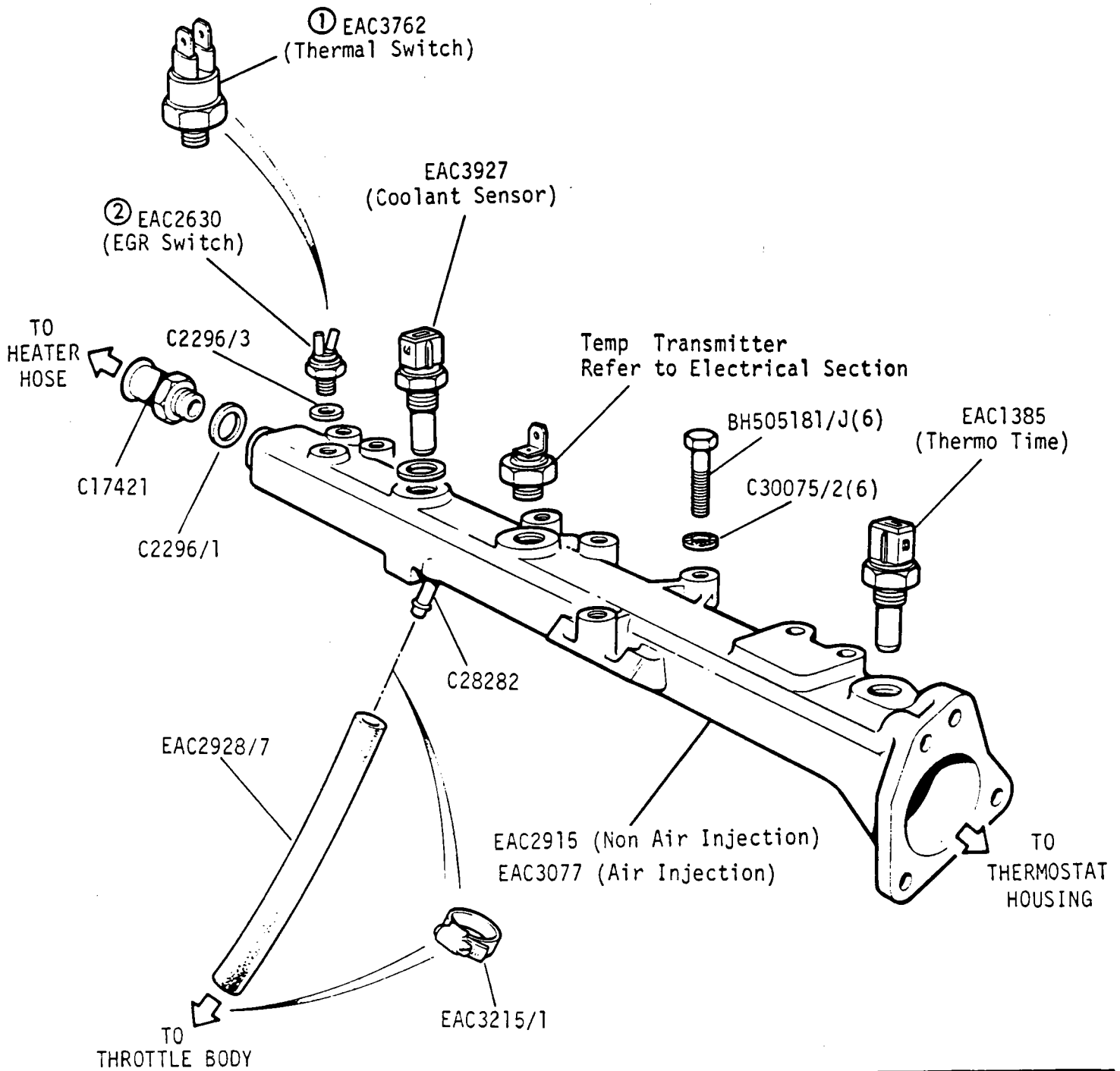
① Part of JLM9534 Decarbonising Gasket Kit

VS2022

Jaguar XJ6 4.2 and Jaguar Sovereign Series 3  
Daimler 4.2 and Jaguar Vanden Plas Series 3

1C 11R

GROUP B  
ENGINE - Water Rail and Temperature Switches (4.2 Litre only)



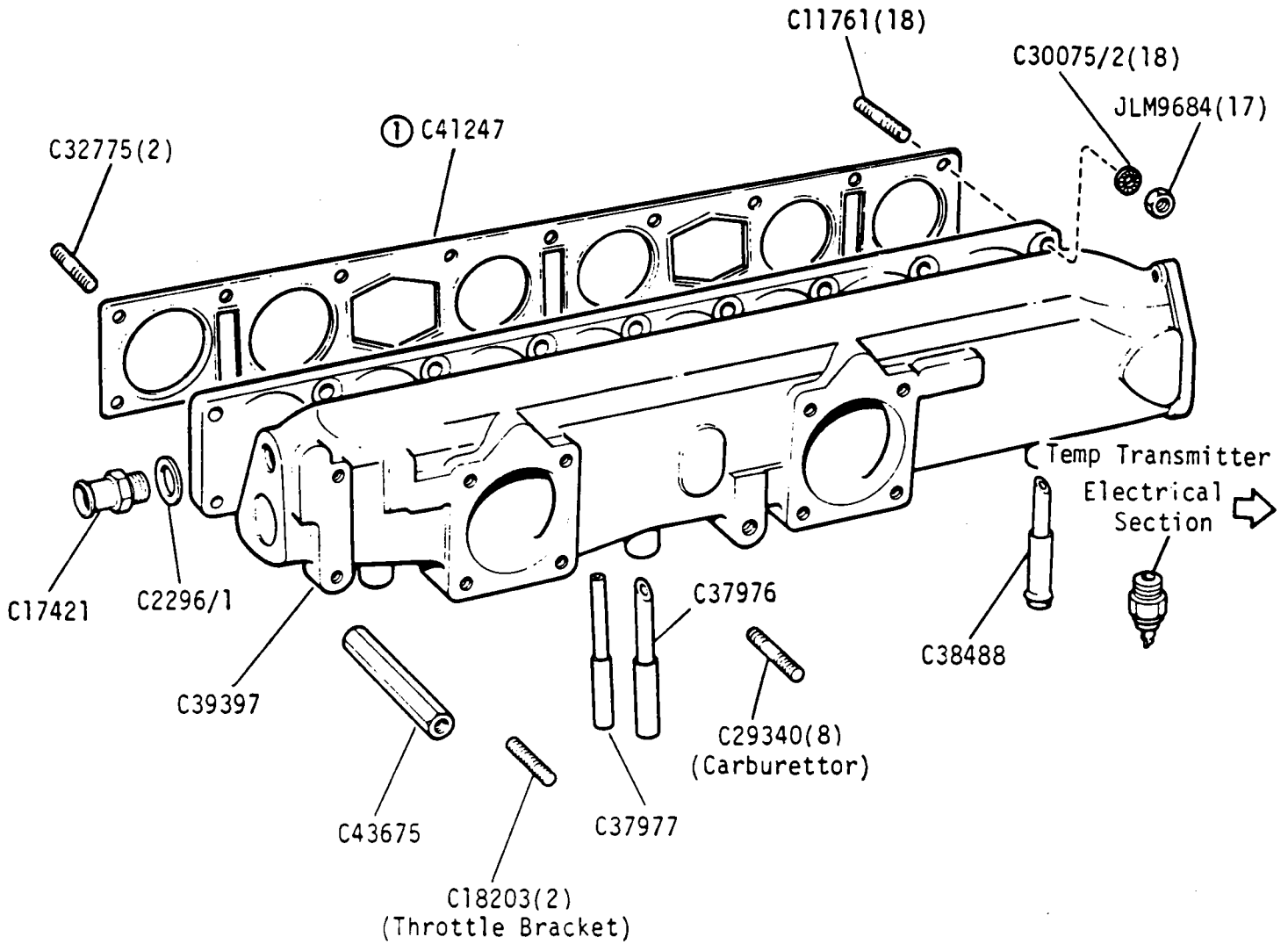
- ① Air Injection Less EGR Valve
- ② Air Injection with EGR Valve

VS3543

Jaguar XJ6 4.2 and Jaguar Sovereign Series 3  
Daimler 4.2 and Jaguar Vanden Plas Series 3

1C 12L

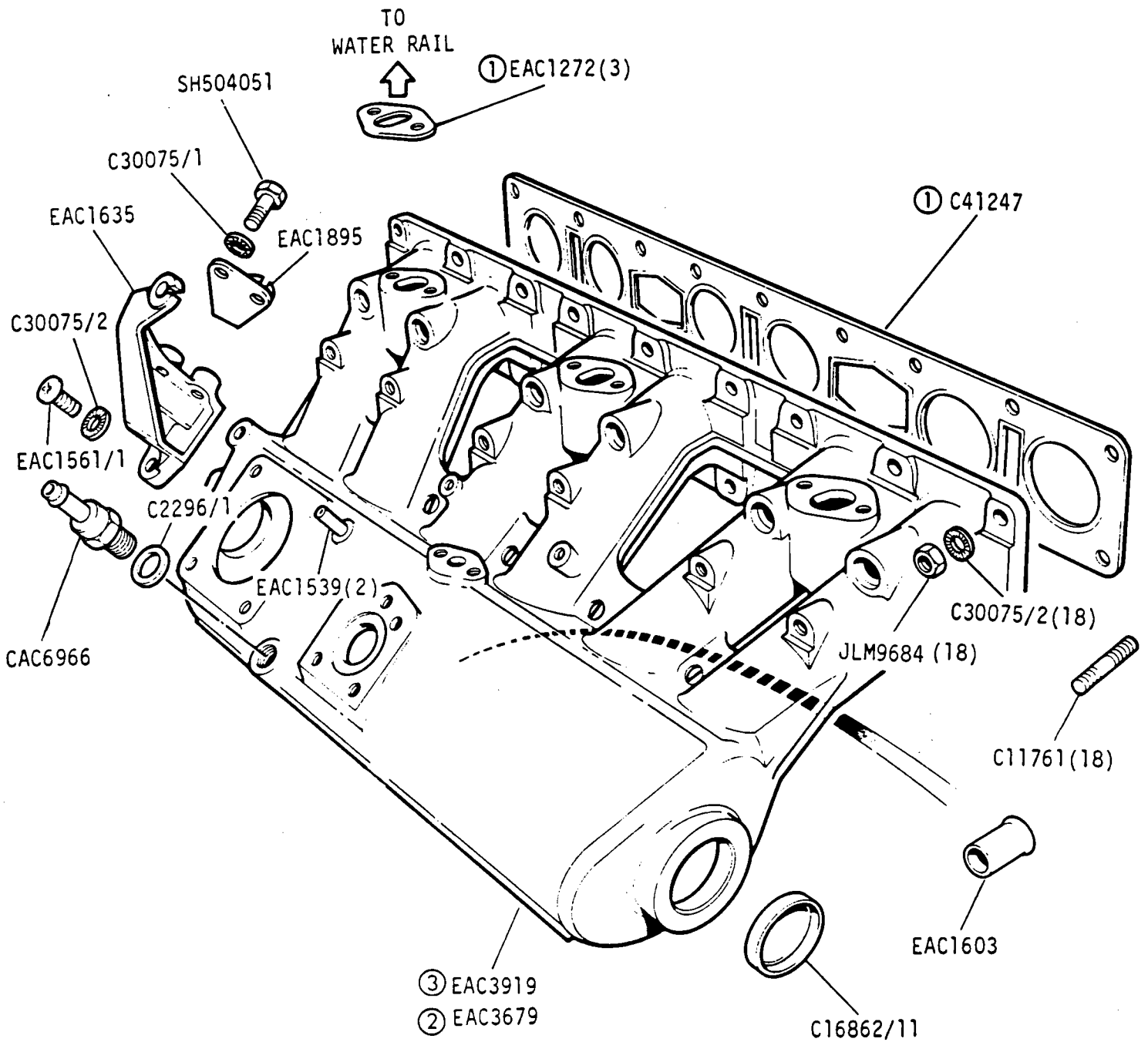
GROUP B  
ENGINE - Inlet Manifold (3.4 LITRE)



① Part of JLM9531 Decarbonising Gasket Kit

SM5690

GROUP B  
ENGINE - Inlet manifold (4.2 litre)



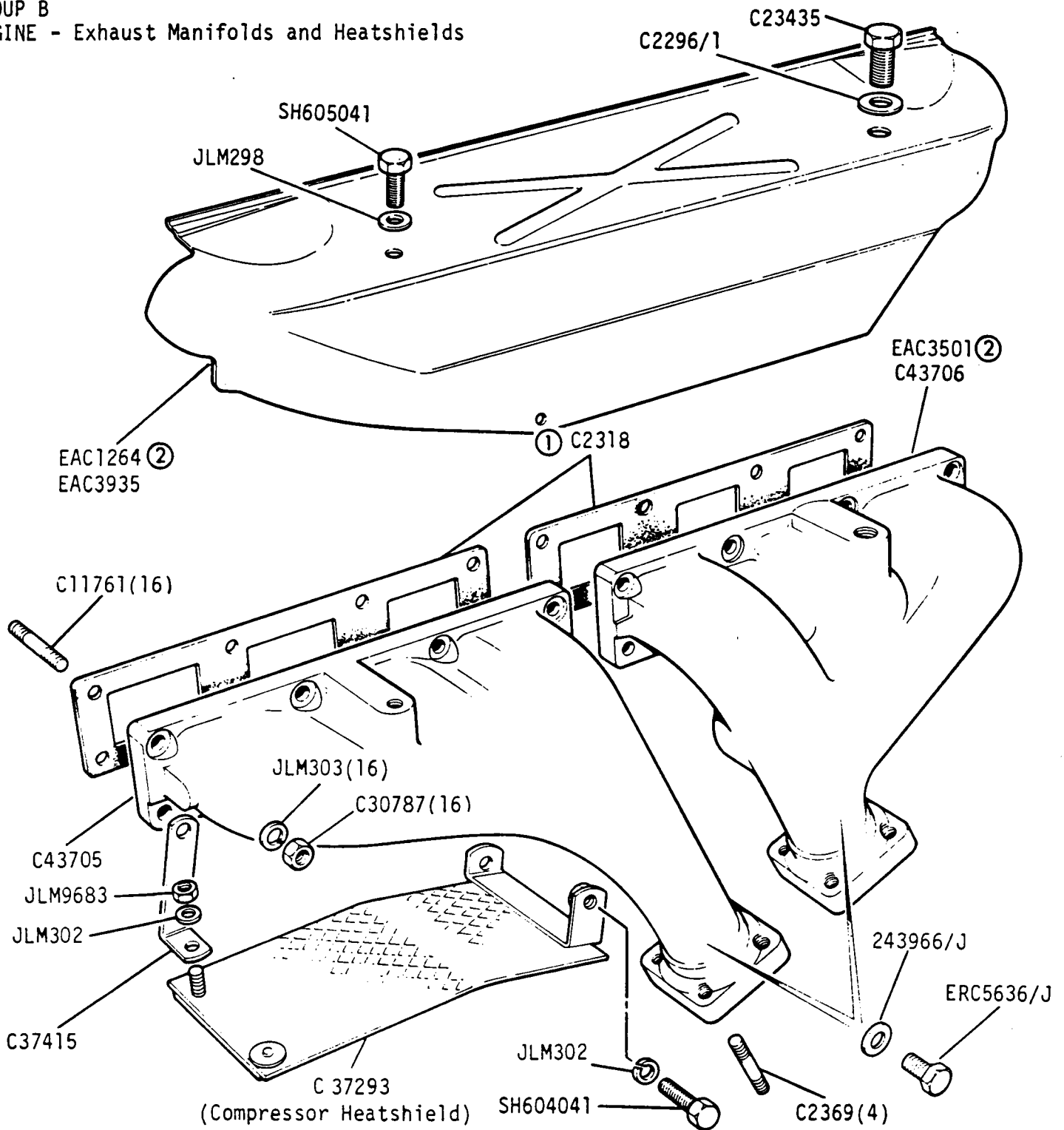
- ① Part of JLM9534 Decarbonising Gasket Kit
- ② Engines less EGR Valve
- ③ Engines with EGR Valve fitted

VS 3542

Jaguar XJ6 4.2 and Jaguar Sovereign Series 3  
Daimler 4.2 and Jaguar Vanden Plas Series 3

1C 13L

GROUP B  
ENGINE - Exhaust Manifolds and Heatshields

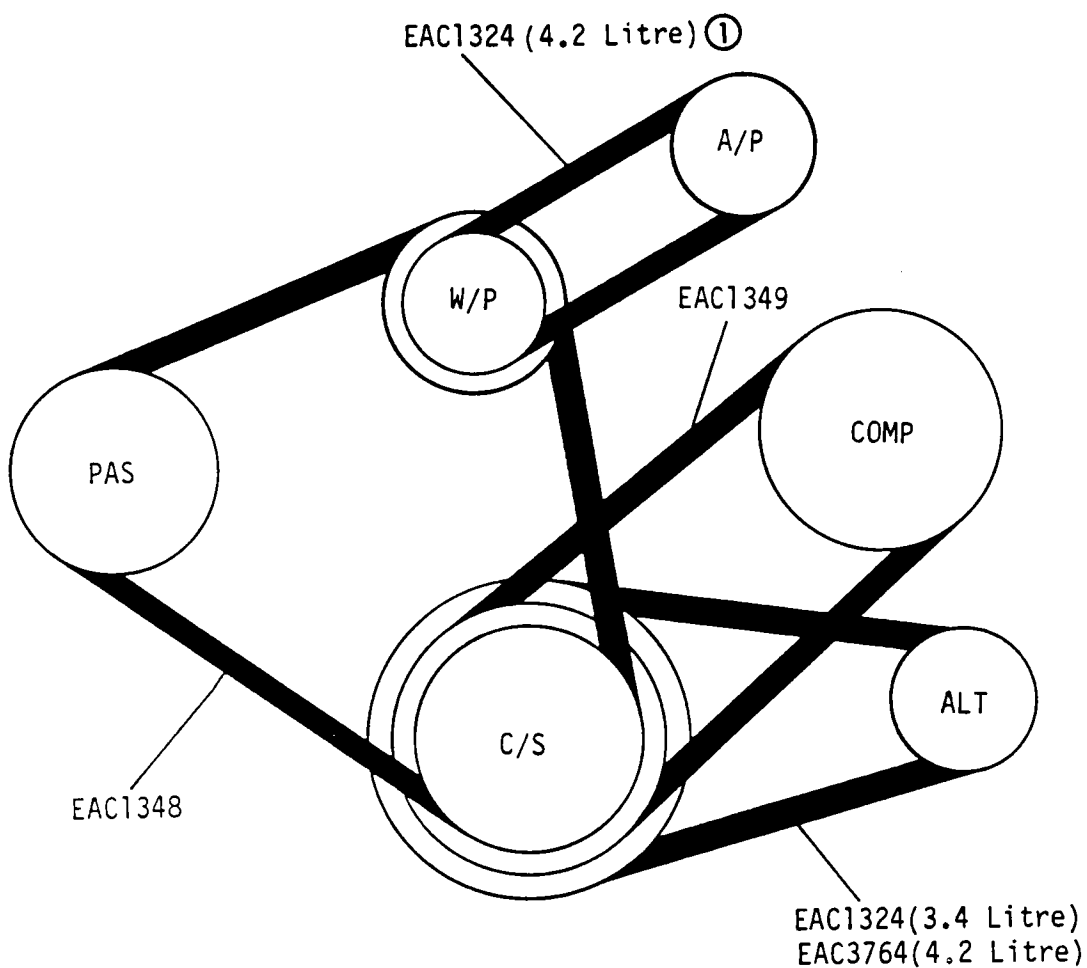


- ① Part of Decarbonising Gasket Kit
- ② Engines fitted with E.G.R. Valve

Jaguar XJ6 3.4 and 4.2 and Jaguar Sovereign Series 3  
Daimler 4.2 and Jaguar Vanden Plas Series 3



GROUP  
ENGINE - Driving Belts



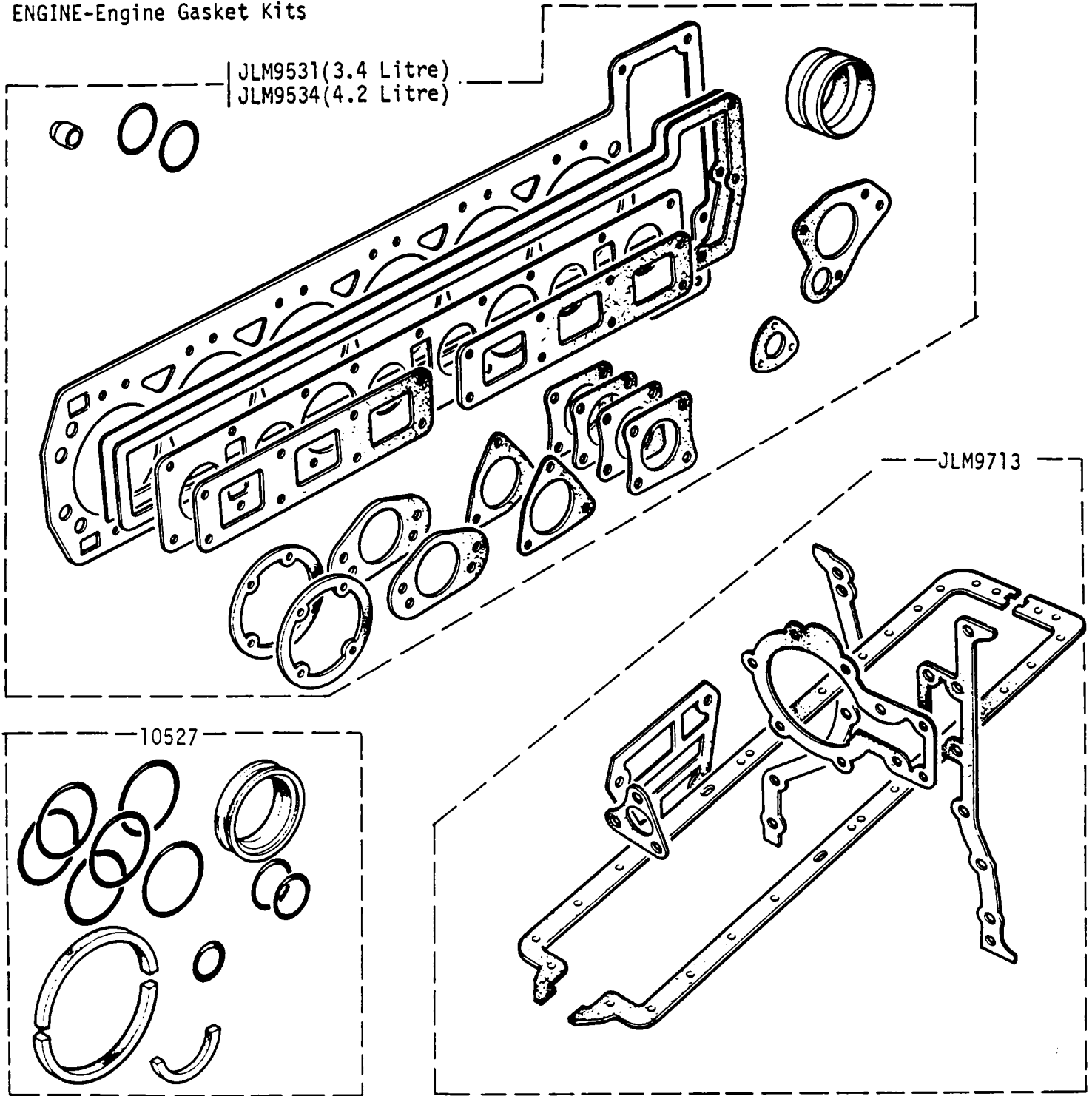
① Air Injection only

ALT - Alternator VS 1358/A  
 A/P - Air Pump  
 COMP - Compressor  
 C/S - Crankshaft  
 PAS - Power Assisted Steering  
 W/P - Water Pump

Jaguar XJ6 3.4 and 4.2 and Jaguar Sovereign Series 3  
 Daimler 4.2 and Jaguar Vanden Plas Series 3

1C 14L

GROUP B  
ENGINE-Engine Gasket Kits

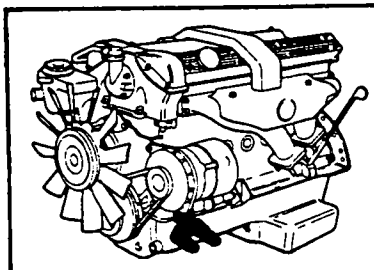
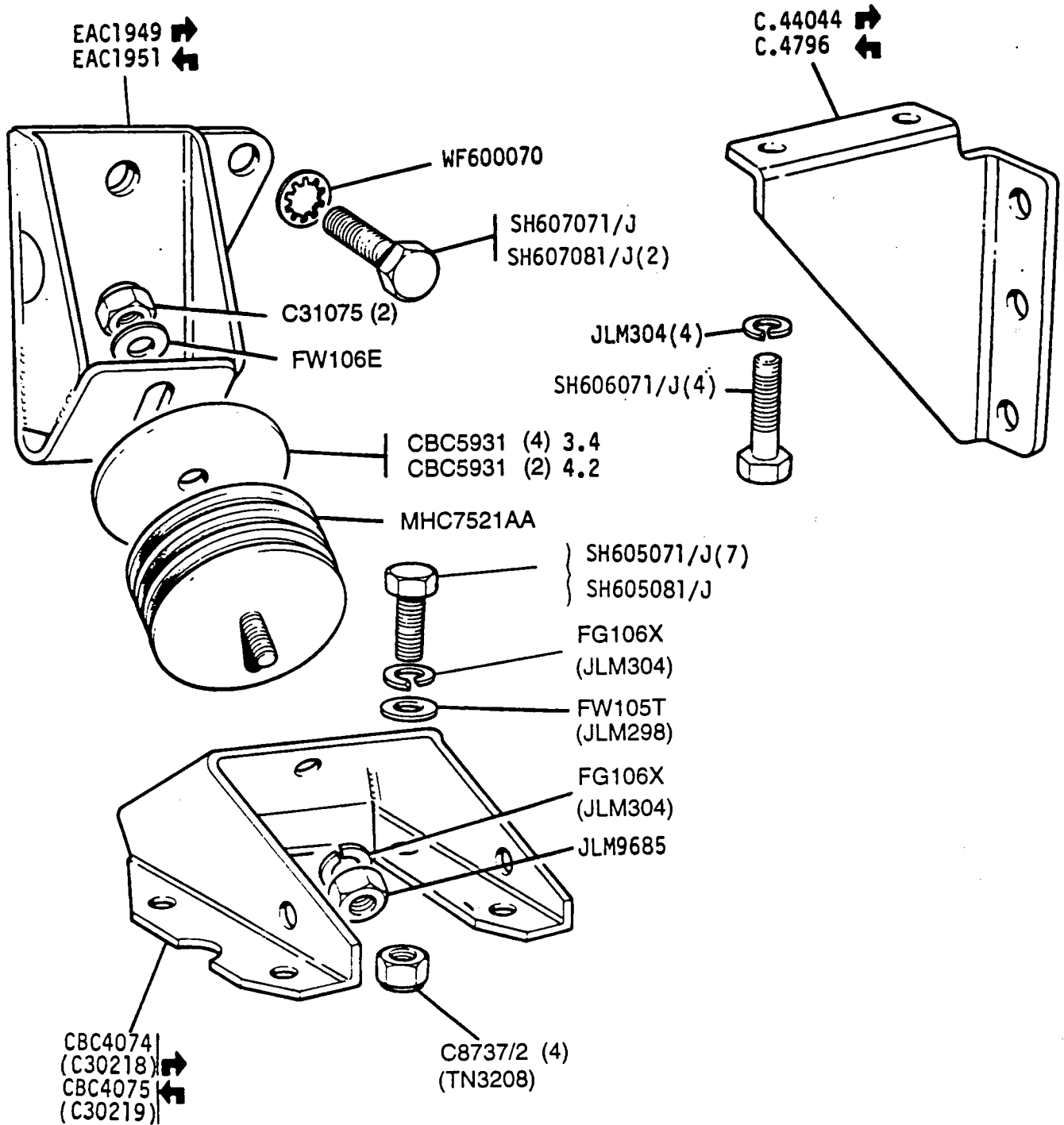


SM5180

Jaguar XJ6 3.4 and 4.2 and Jaguar Sovereign Series 3  
Daimler 4.2 and Jaguar Vanden Plas Series 3

1C 14R

GROUP B  
ENGINE - Front Engine Mountings

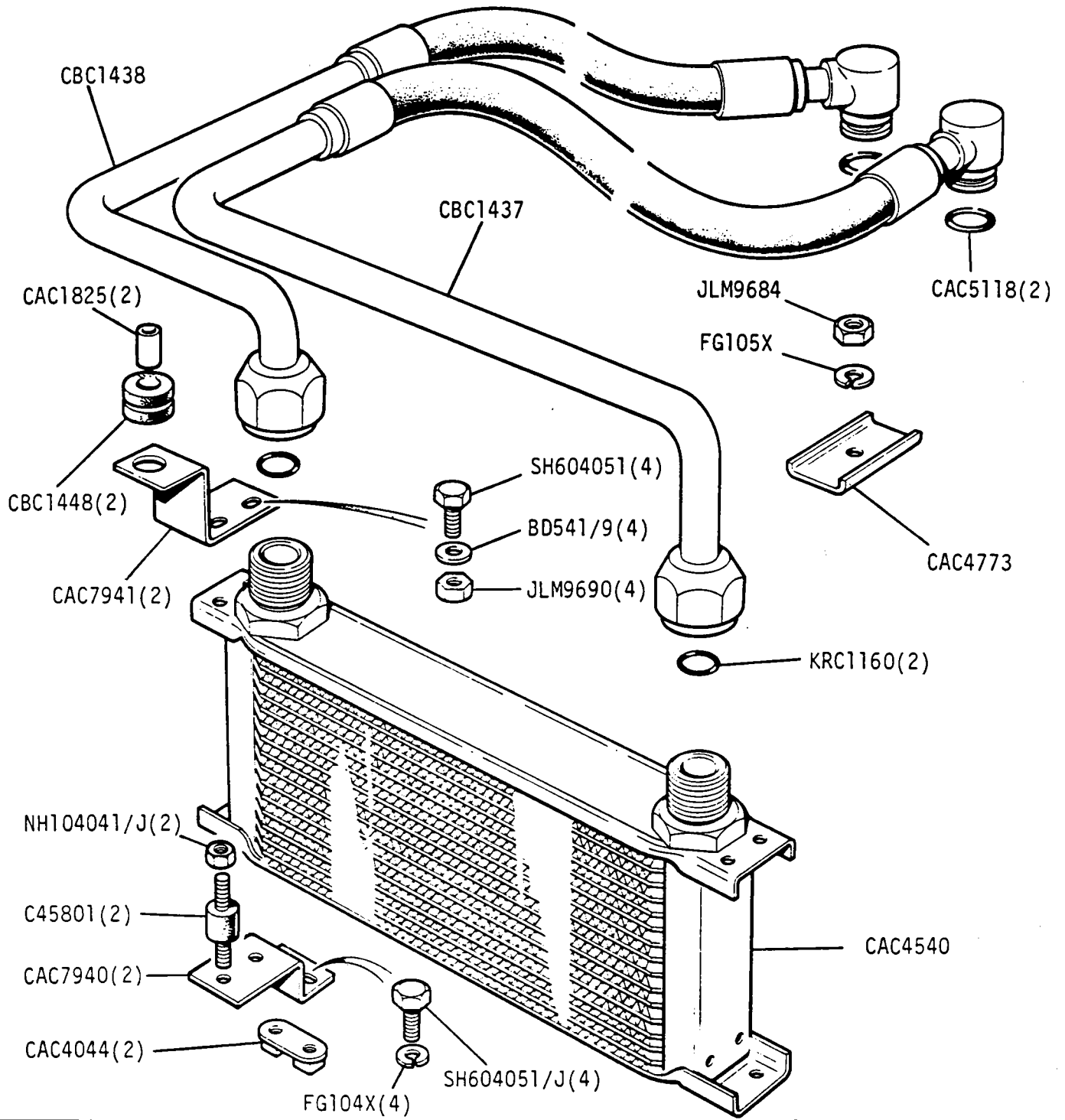


VS1611

Jaguar XJ6 3.4 and 4.2 and Jaguar Sovereign Series 3  
 Daimler 4 2 and Jaguar Vanden Plas Series 3

1C 15L

GROUP B  
ENGINE - Oil Cooler and Pipes

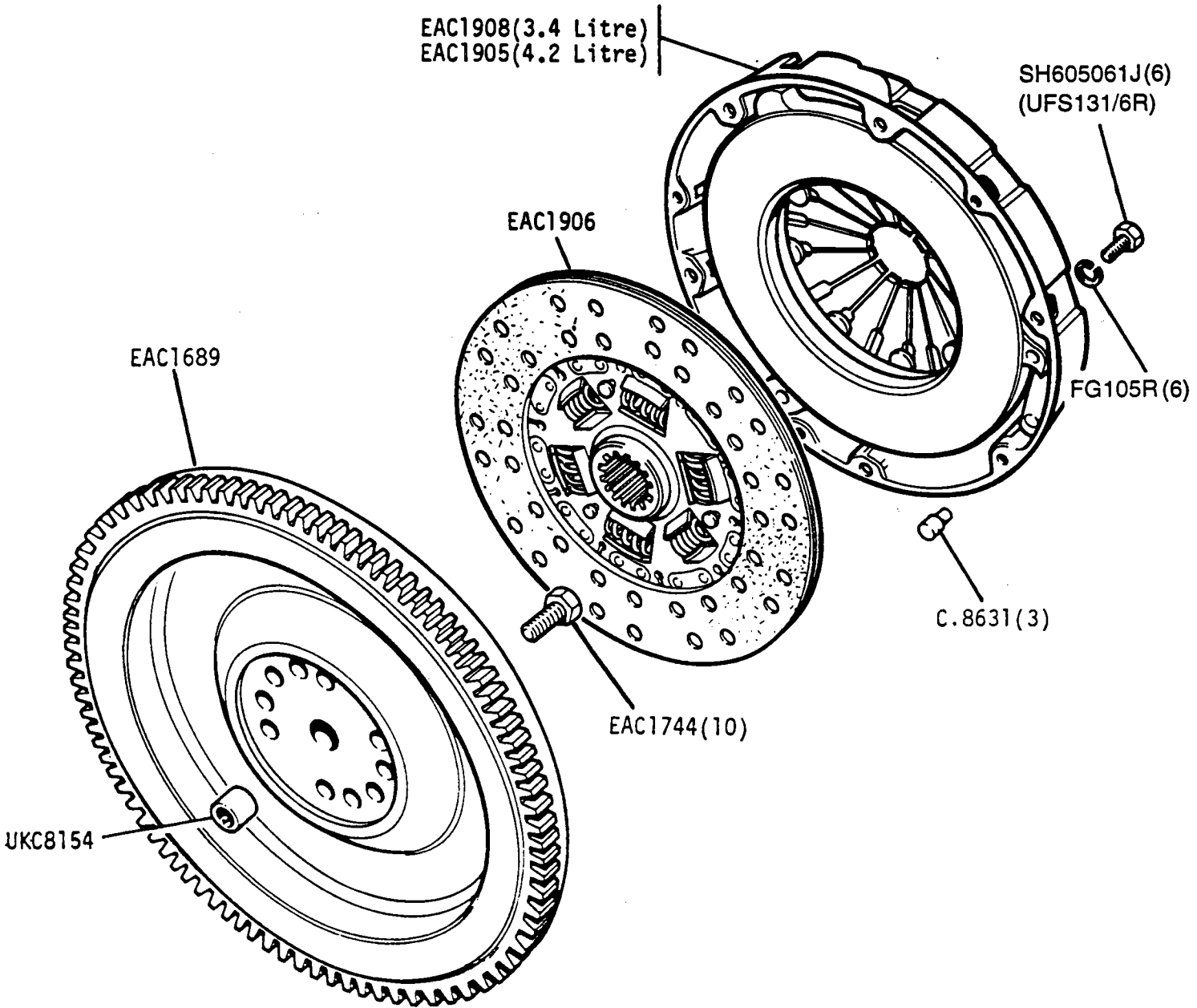


VS3321

Jaguar XJ6 3.4, 4.2 and Sovereign Series 3  
Daimler 4.2 and Jaguar Vanden Plas Series 3

1C 15R

GROUP C  
CLUTCH - Flywheel and Clutch (Manual Gearbox)

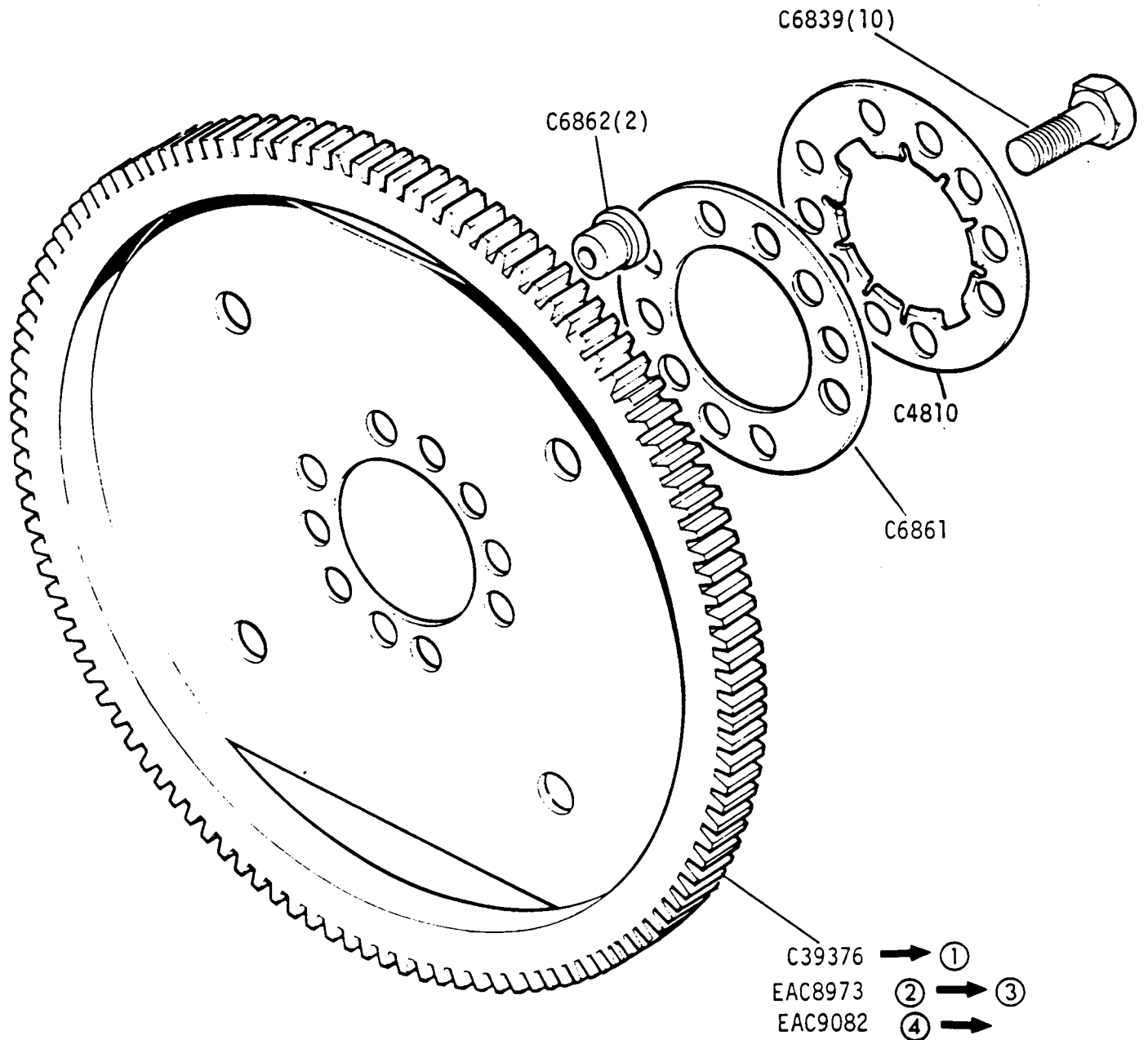


VS1305

Jaguar XJ6 3.4 and 4.2 and Jaguar Sovereign Series 3  
Daimler 4.2 and Jaguar Vanden Plas Series 3

1D 02L

GROUP C  
CLUTCH - Driveplate (Automatic Gearbox)



- ① 8A. 15501 (3.4 Litre)/8L.167138 (4.2 Litre)
- ② 8A.15502 (3.4 Litre)/8L.167139 (4.2 Litre)
- ③ 8A.16665 (3.4 Litre)/8L207463 (4.2 Litre)
- ④ 8A16666 (3.4 Litre)/8L207464 (4.2 Litre)

VS3347

Jaguar XJ6 3.4 and 4.2 and Jaguar Sovereign 4.2 Series 3  
Daimler 4.2 and Jaguar Vanden Plas Series 3

1D 02R