


F
EERING - rack and pinion 

The following cars were fitted with rack and pinion assemblies C.42709 the details of which are shown on the following two pages. In addition to the rack and pinion they were also fitted with the following items, which are NOT interchangeable with their predecessors.

Part No.	Description	Qty	Remarks
C.43720	Low pressure hose	1	
C.43721	High pressure hose	1	
C.34856/1	Lower steering column	1	


NOTE: For chassis numbers regarding batch introduction of the above items refer to the following Parts Technical Information -

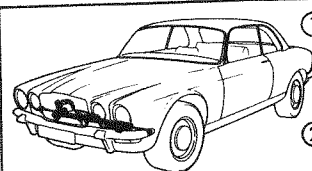
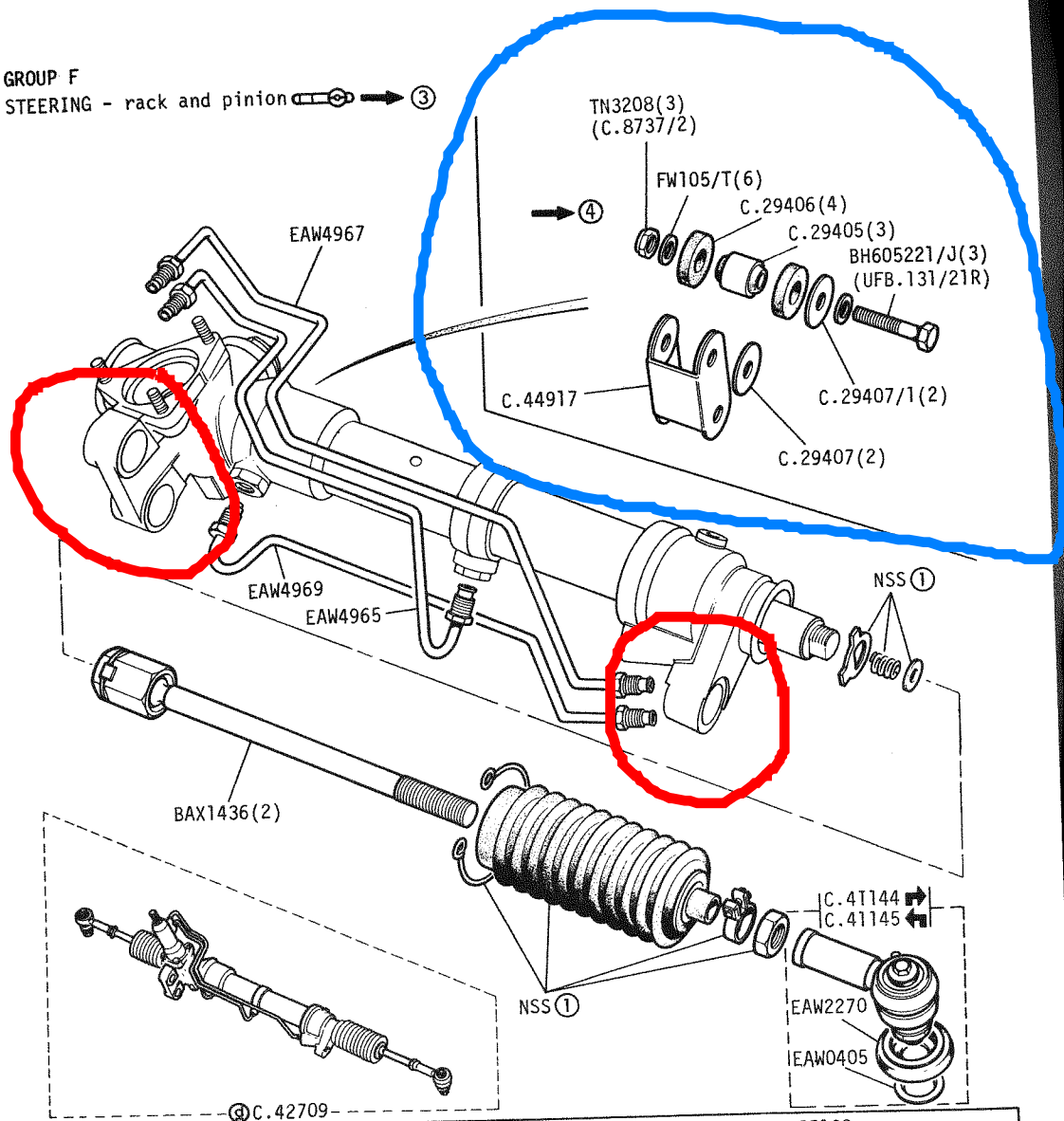
- Volume J2 Number J11 Item 56
- Volume J2 Number J18 Item 81
- Volume J2 Number J22 Item 93
- Volume J3 Number J5 Item 31

For identification of rack and pinion assembly, refer to the following -

Jaguar-Daimler Parts Technical Information
Volume J2 Number J22 Item 97 (October 1977)

Jaguar-Daimler Service Bulletin
JD07/77 Item 83

GROUP F
STEERING - rack and pinion  ③




① Part of BAX2163 repair kit

② Kits also available are
RTC2393 - Rack seals service kit
BAX2189 - Gaiters (bellows) kit
BAX2190 - Valve seals service kit

③
2T.25108
2S.11537
3C.1770
3A.5753
3B.3344

④
VIN107427-A/C
VIN107691-Not A/C
VIN107725-3.4L

 Jaguar XJ6 series 2
Daimler Sovereign series 2

SM.5564