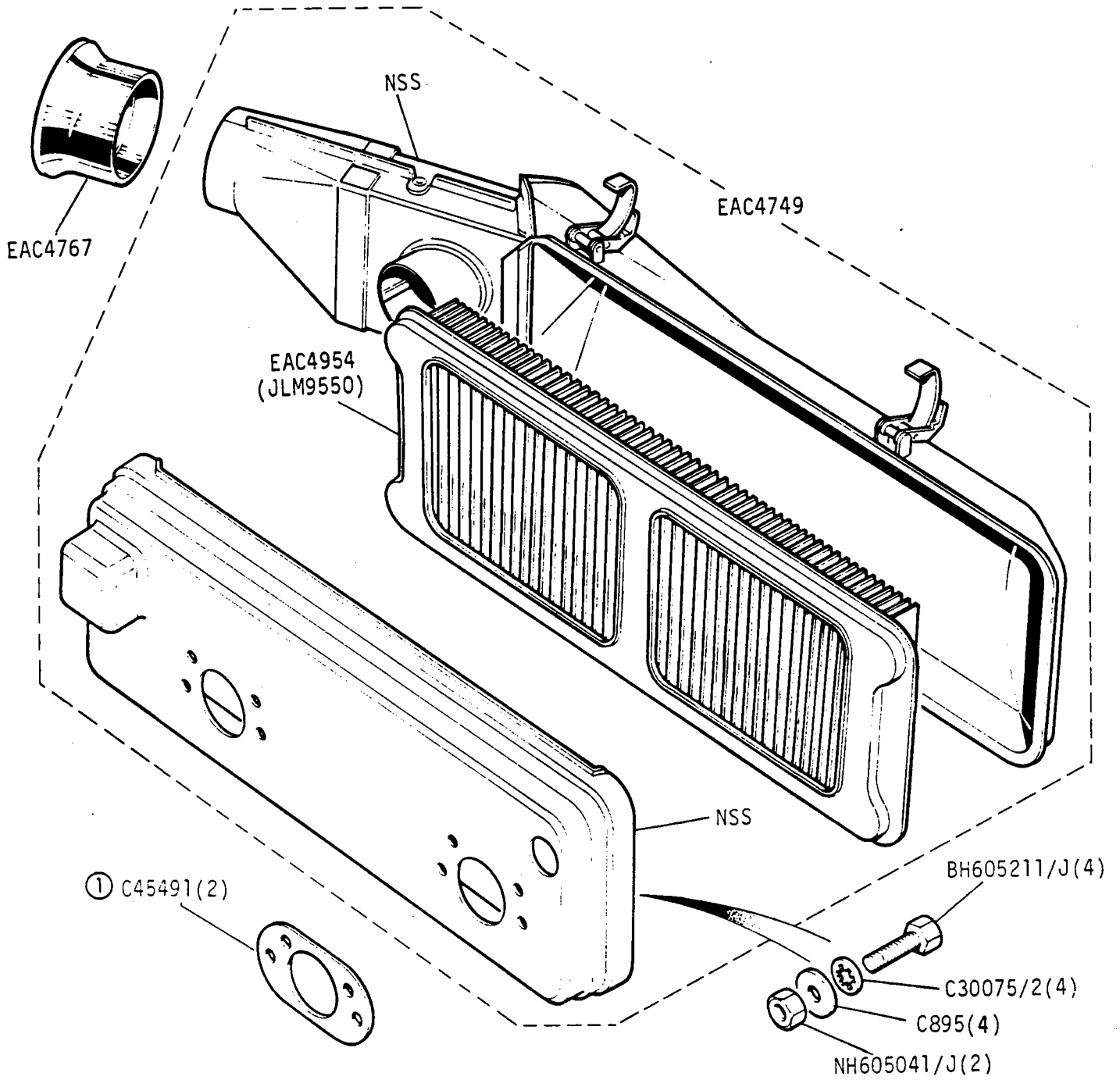


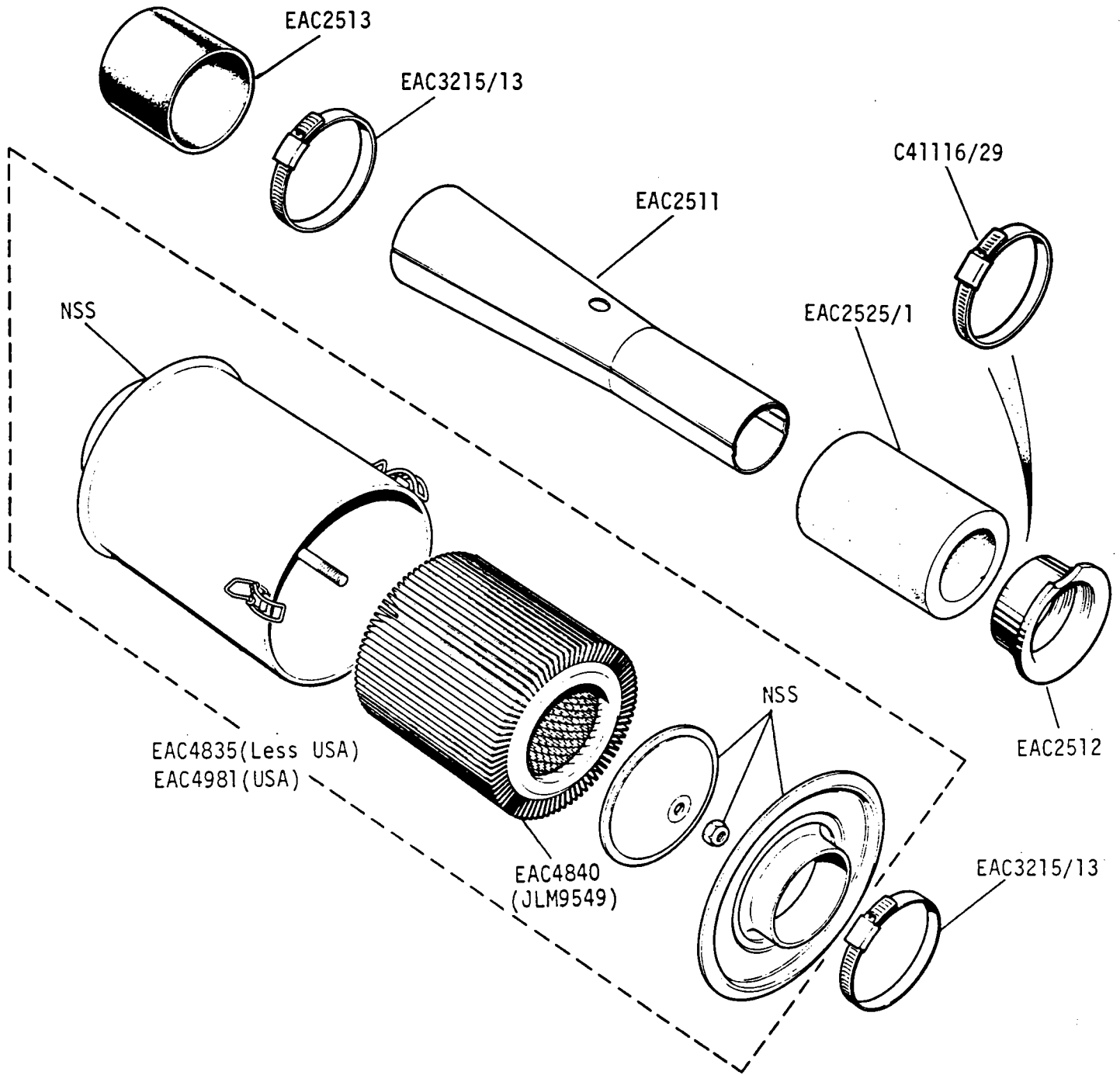
GROUP H
FUEL/EXHAUST/EMISSION - Air Cleaner (3.4 Litre only)



① Part of JLM 9531 Gasket Set

VS4419

GROUP H
FUEL/EXHAUST/EMISSION - Air Cleaner (4.2 Litre only)

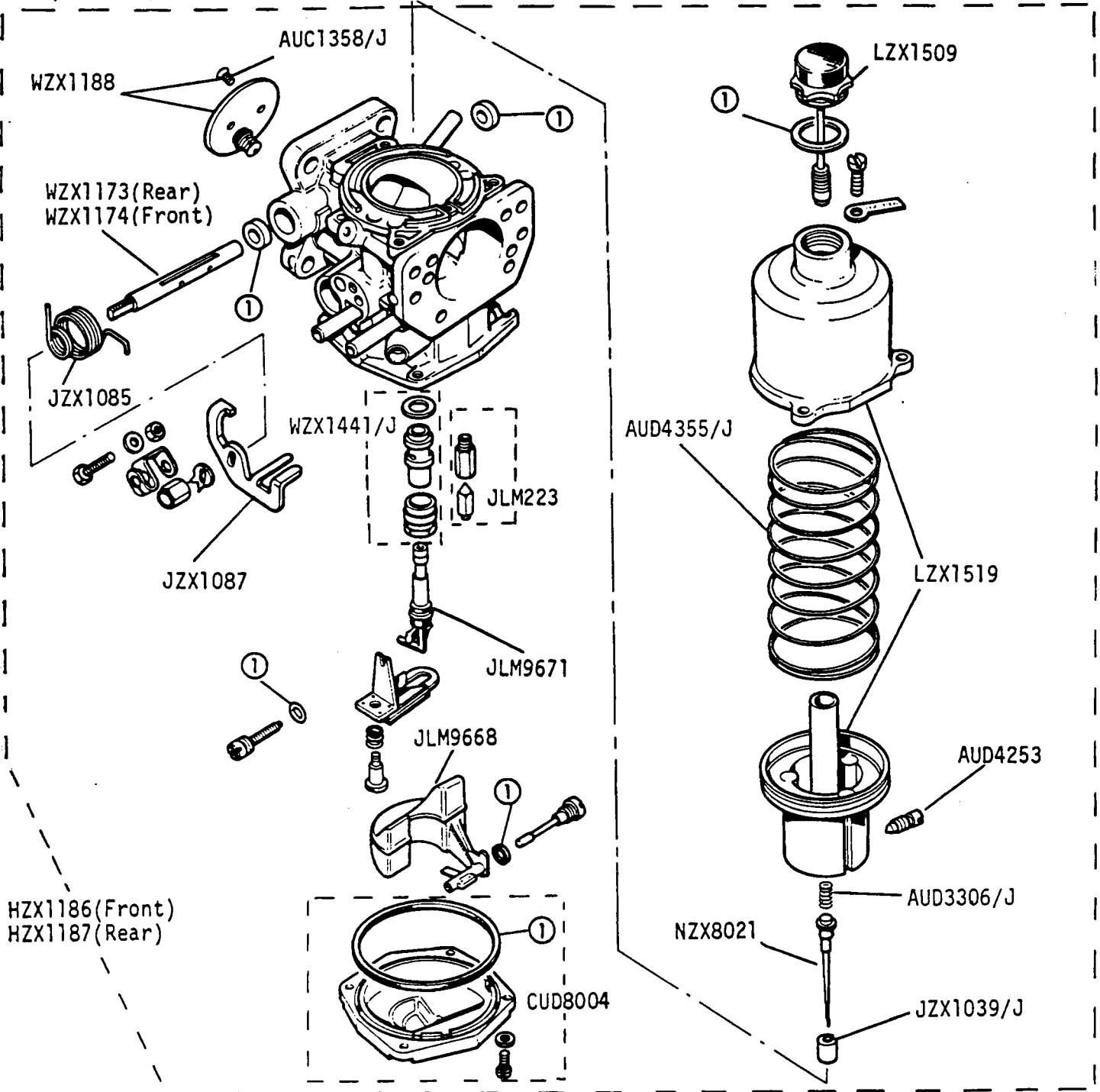


VS1216

Jaguar XJ6 4.2 and Jaguar Sovereign Series 3
Daimler 4.2 and Jaguar Vanden Plas Series 3

11 02R

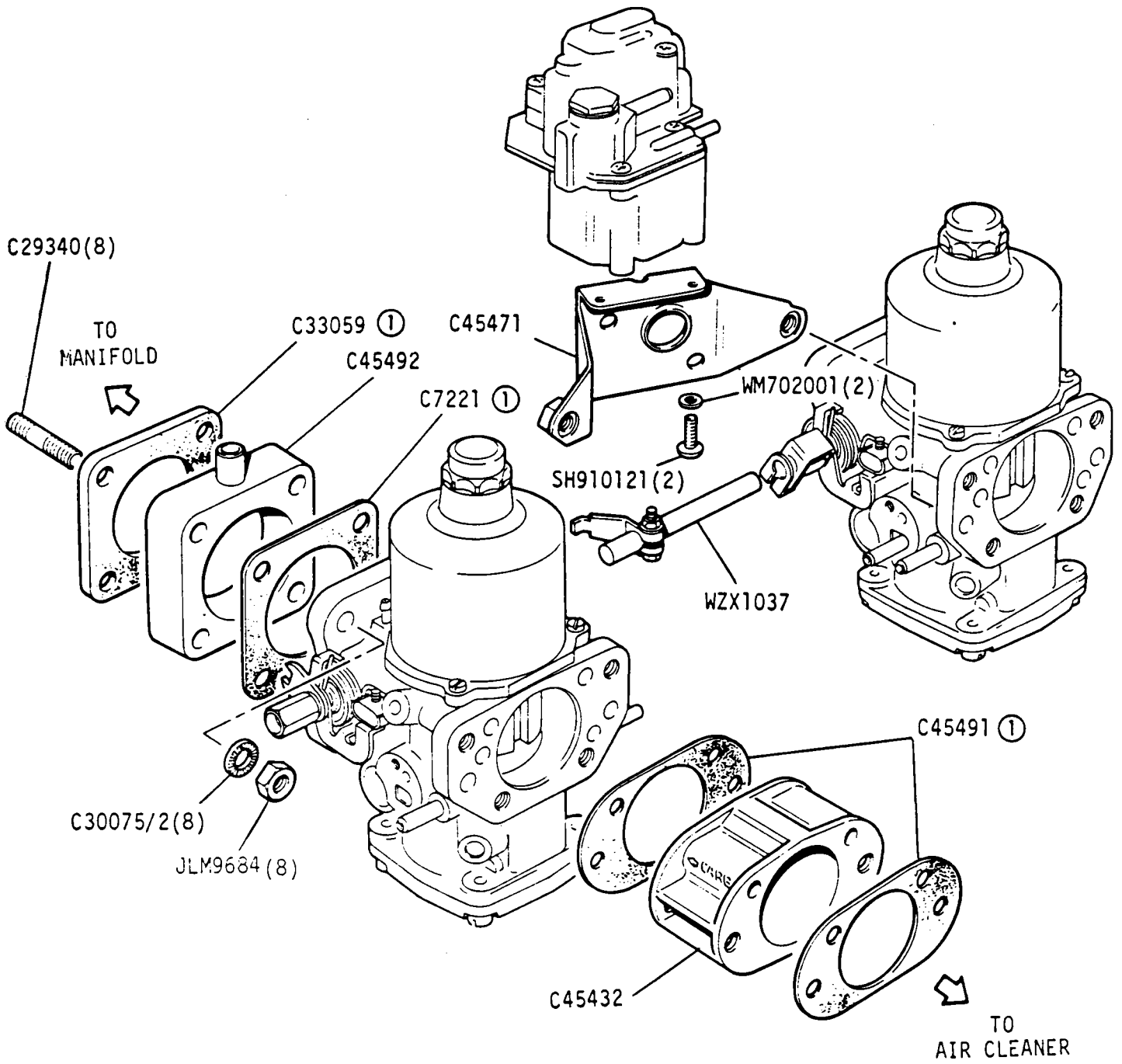
GROUP H
 FUEL/EXHAUST/EMISSION - Carburettors (3.4 LITRE)



- ① Part of JLM9627 Gasket Pack
- JLM856 Choke Kit RHD (automatic to manual)
 - JLM857 Choke Kit LHD (automatic to manual)

SM5625

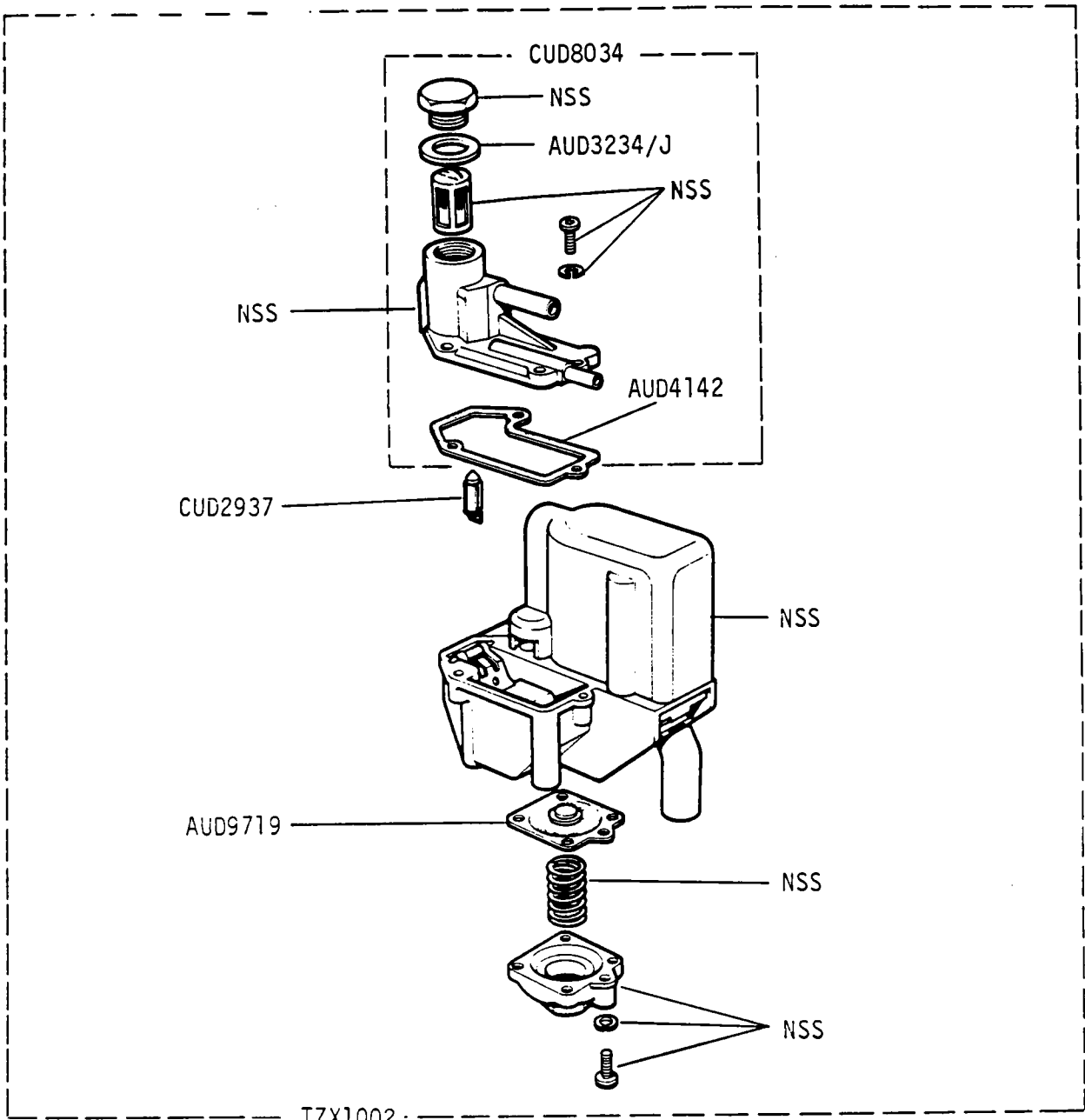
GROUP H
 FUEL/EXHAUST/EMISSION - Carburettor Mounting and Gaskets (3.4 litre)



① Part of JLM9531 Gasket Kit

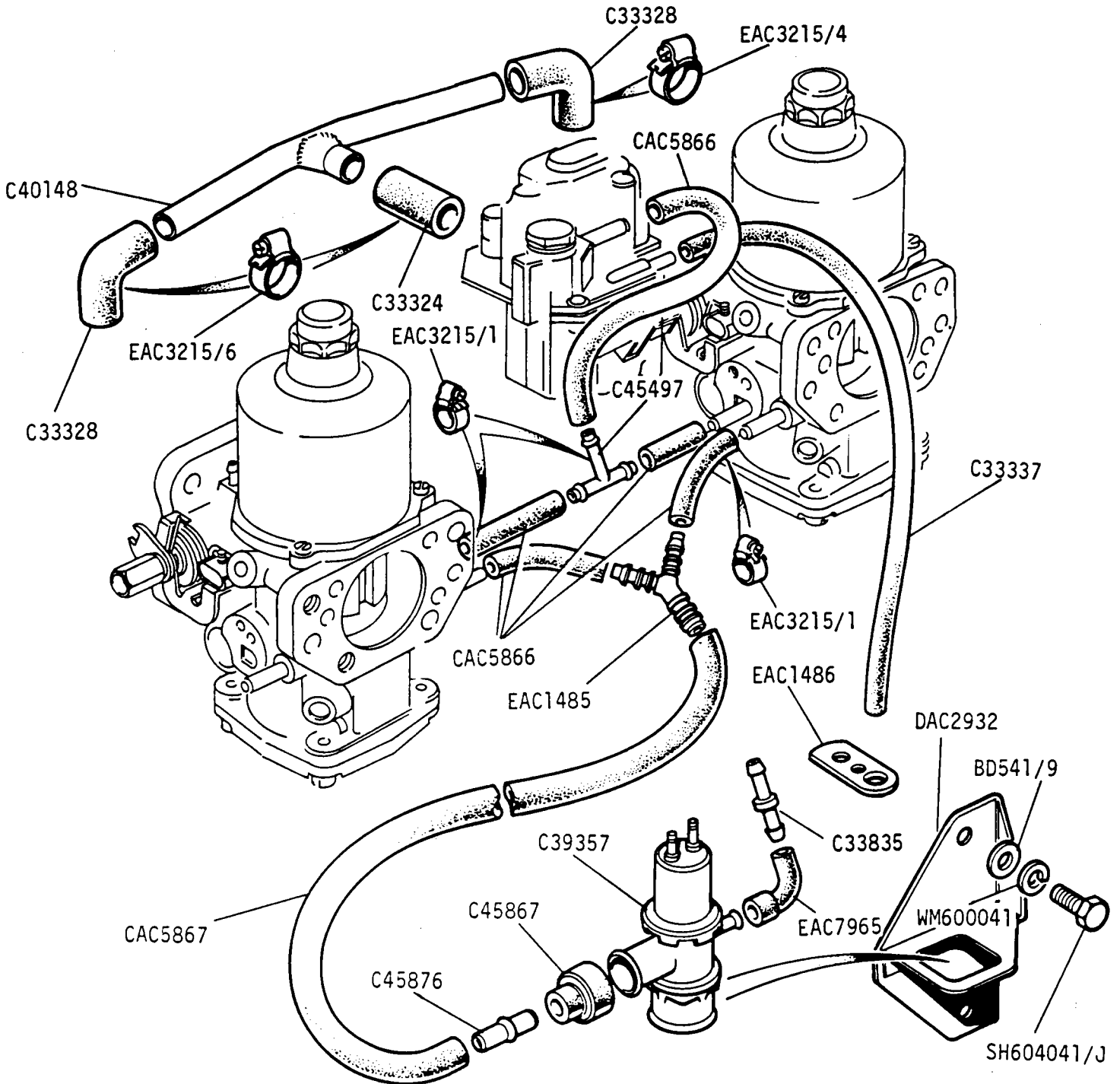
VS3609

GROUP H
FUEL/EXHAUST/EMISSION - AED Unit (3.4 litre)



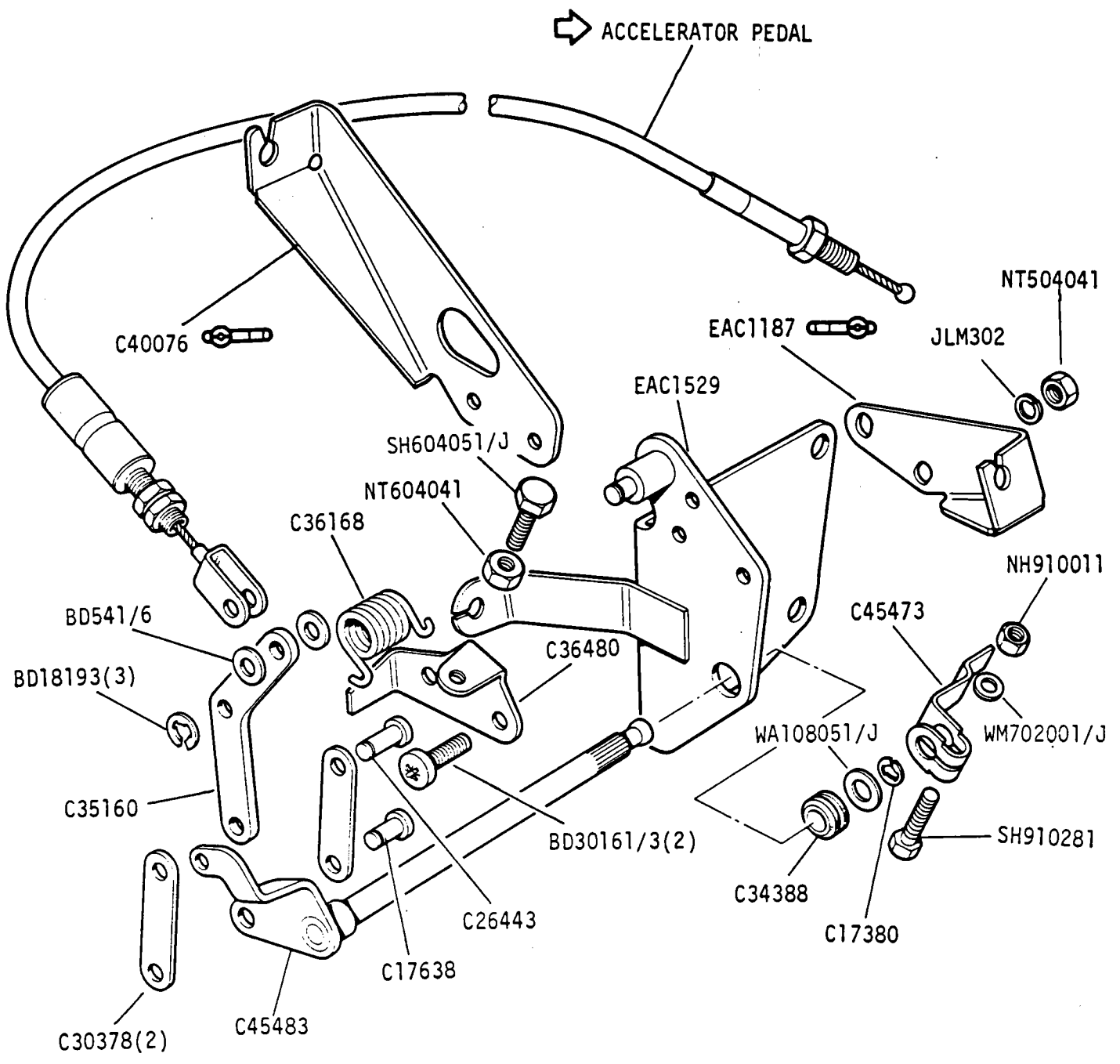
SM5577

GROUP H
FUEL/EXHAUST/EMISSION - Carb Hoses and ARO Valve (3.4 litre)



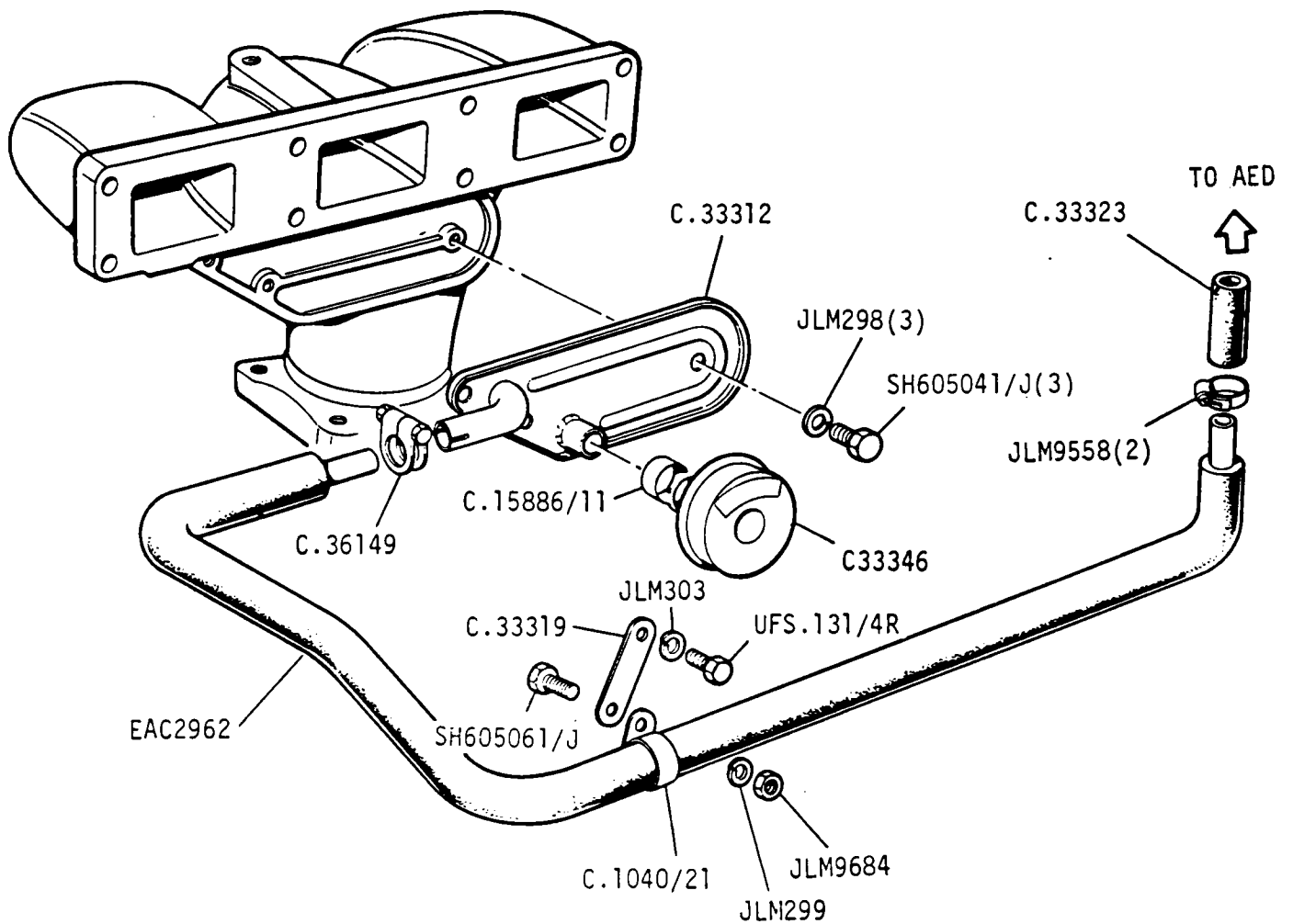
VS3618

GROUP H
 FUEL/EXHAUST/EMISSION - Carburettor Linkage (3.4 Litre only)



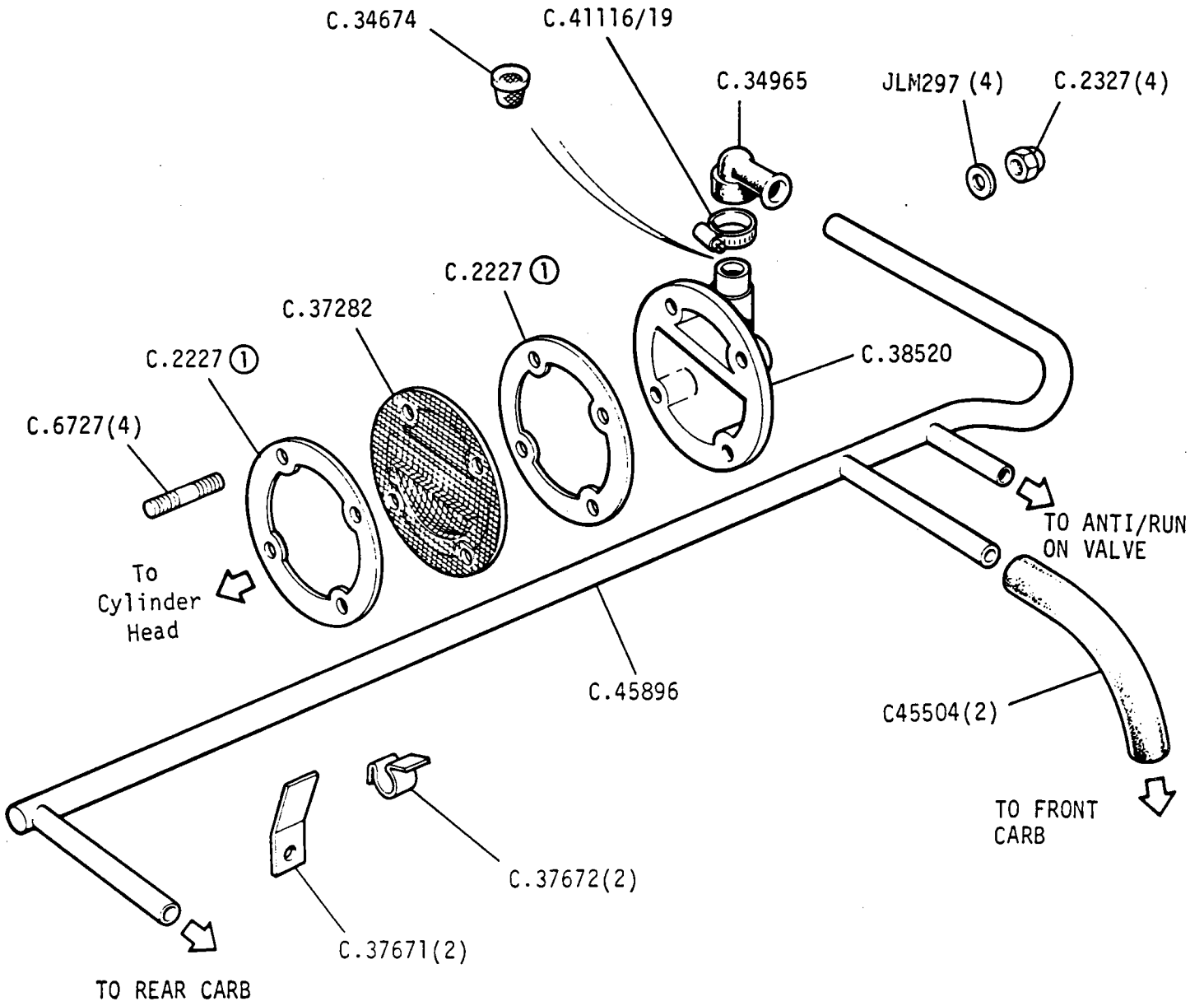
VS5634

GROUP H
FUEL/EXHAUST/EMISSION - Hot Air Pipe and Filter(3.4 LITRE)



SM5396

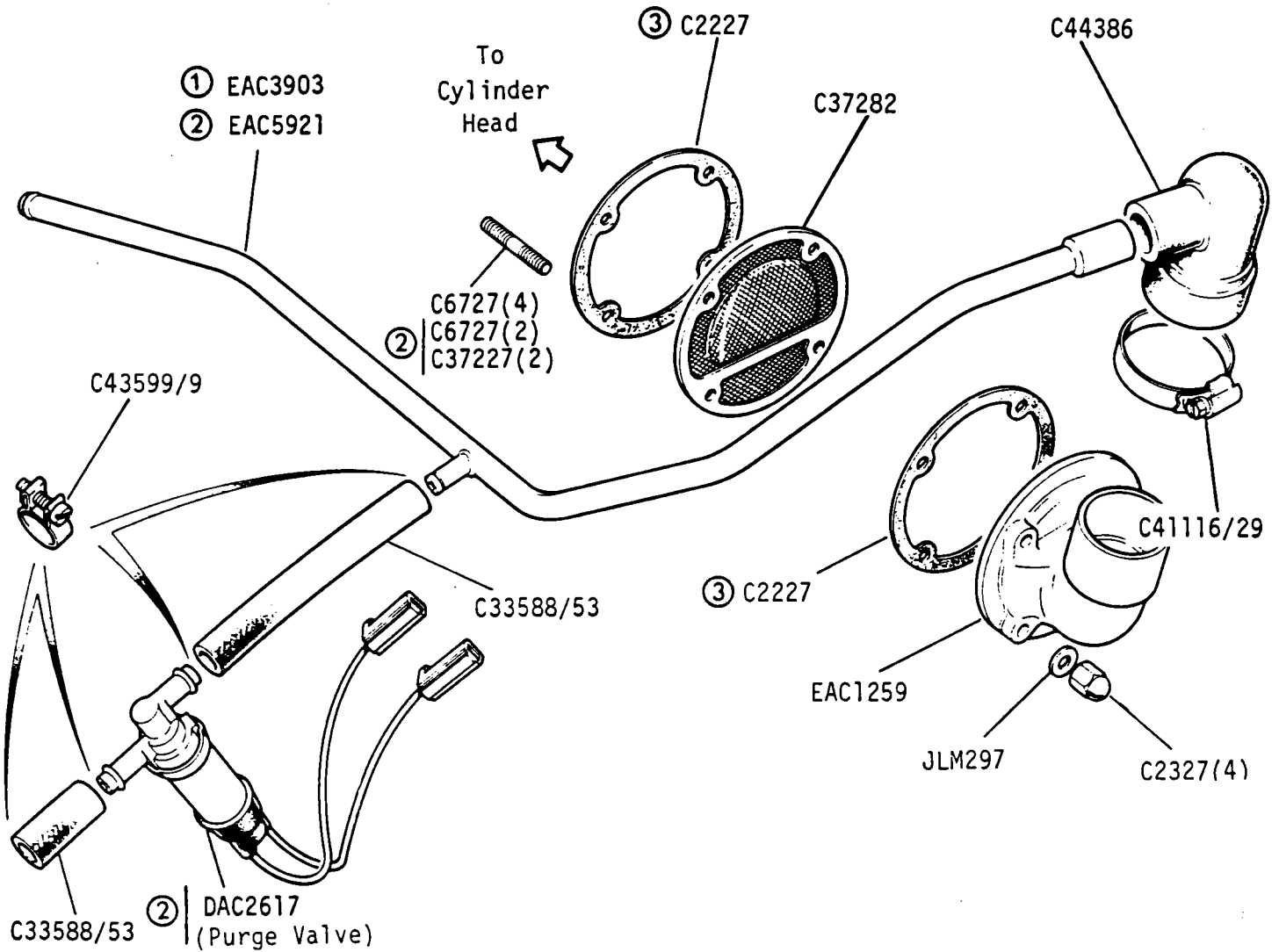
GROUP H
 FUEL/EXHAUST/EMISSION - Engine Breather Pipe and Housing(3.4 LITRE)



① Part of JLM 9531 Gasket Set

VS1584

GROUP H
 FUEL/EXHAUST/EMISSION - Engine Breather Pipe and Housing(4.2 LITRE)



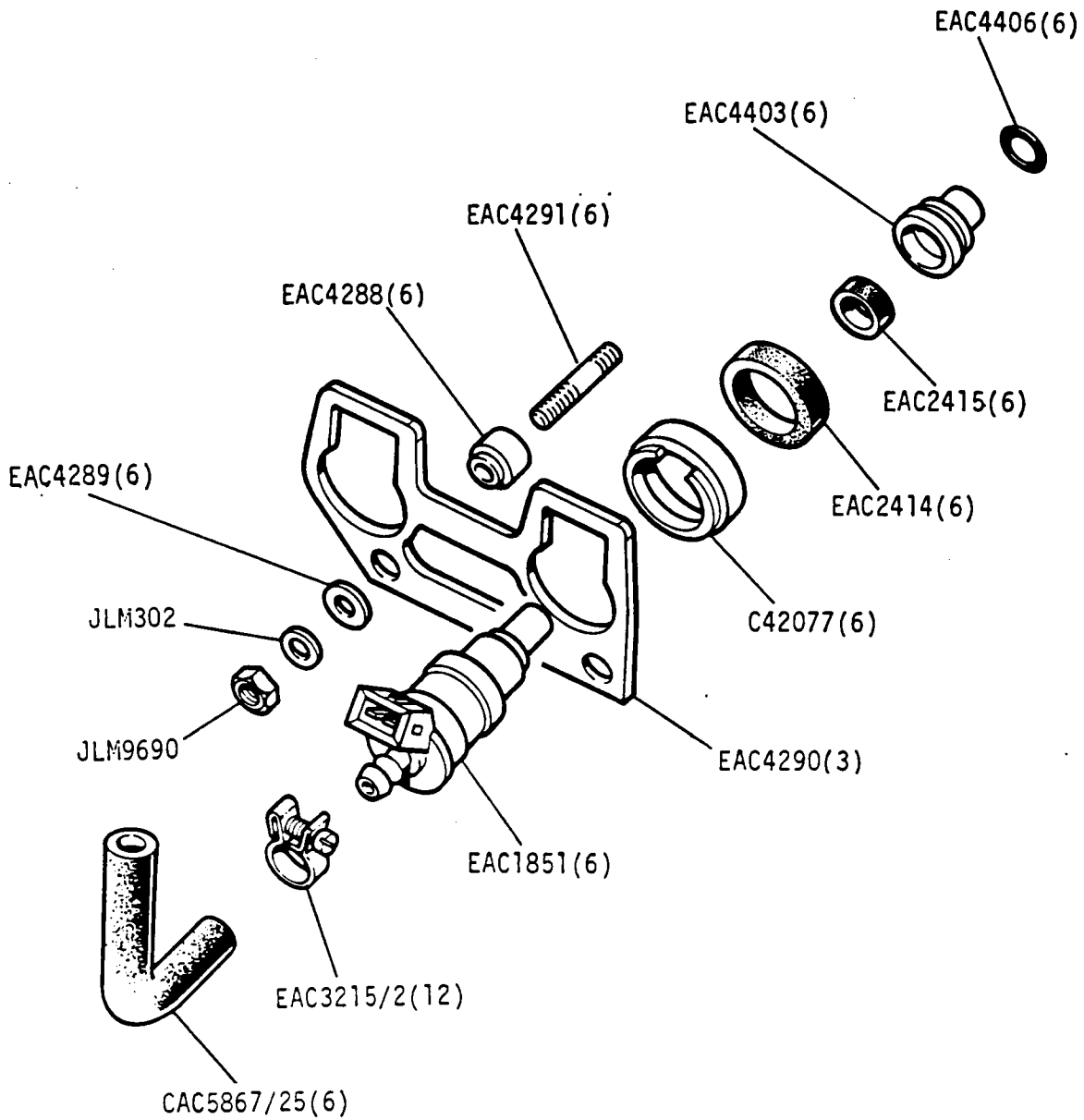
- ① Vehicles less Carbon Canister
- ② Vehicles with Carbon Cannister
- ③ Part of JLM 9534 Gasket Set

VS1160

Jaguar XJ6 4.2 and Jaguar Sovereign Series 3
 Daimler 4.2 and Jaguar Vanden Plas Series 3

11 06R

GROUP H
FUEL/EXHAUST/EMISSION - Fuel Injectors (4.2 Litre)

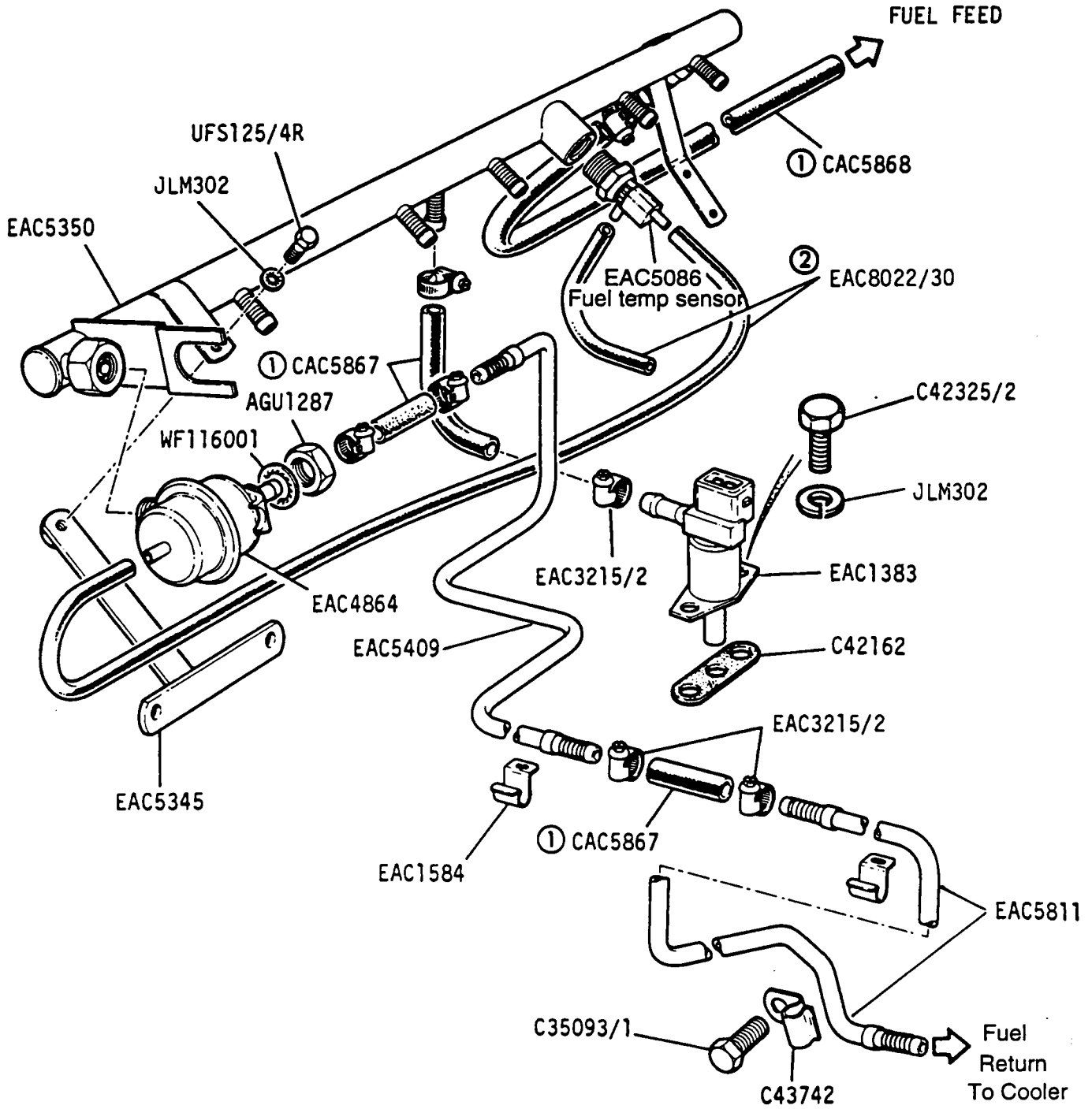


VS4141

Jaguar XJ6 4.2 and Jaguar Sovereign Series 3
Daimler 4.2 and Jaguar Vanden Plas Series 3

11 07L

GROUP H
 FUEL/EXHAUST/EMISSION - Fuel Rail and Pressure Regulator (4.2 litre)



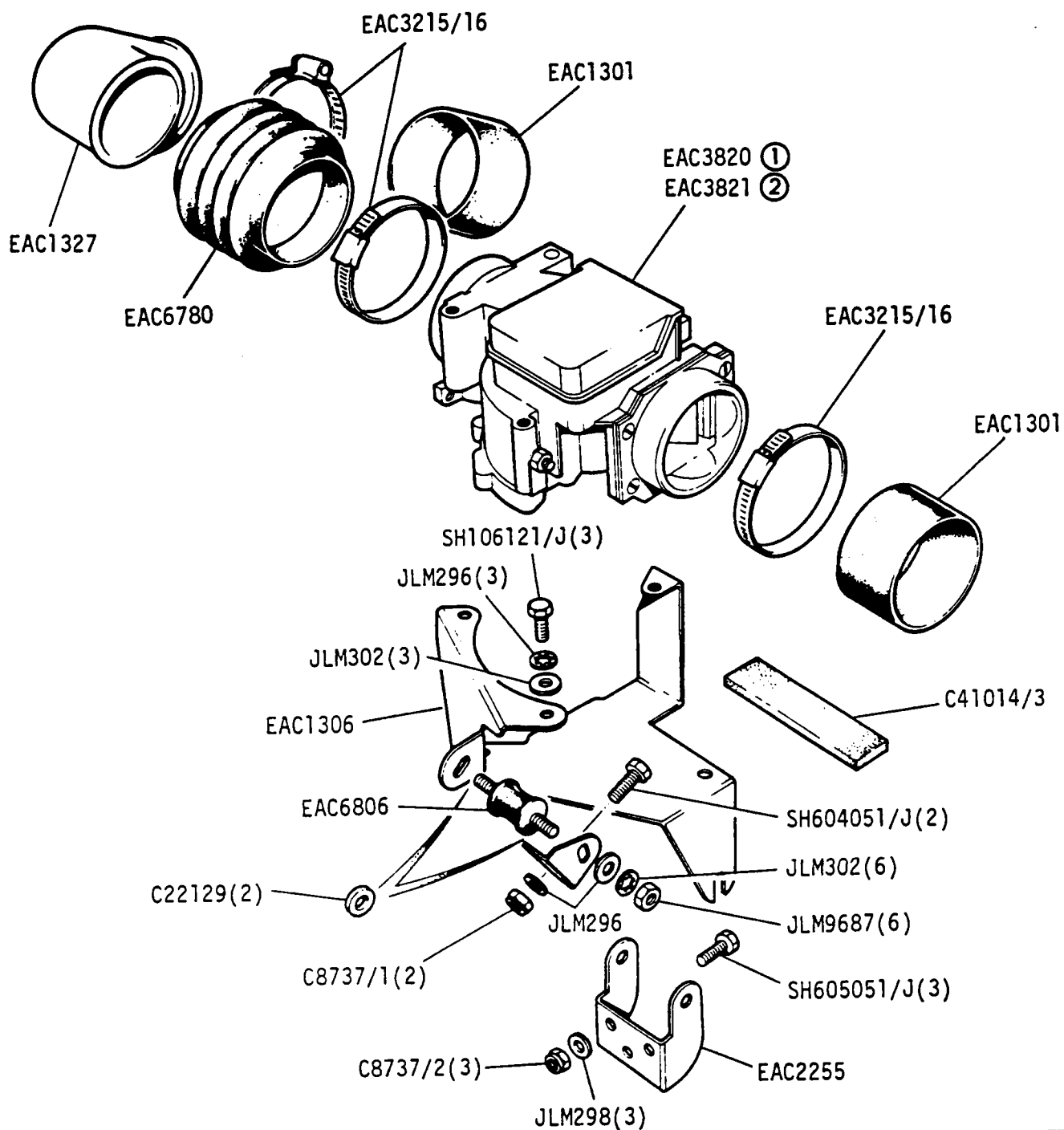
- ① Supplied in 1 Metre lengths
- ② Supplied in 63 inch lengths

VS4283

Jaguar XJ6 4.2 and Jaguar Sovereign Series 3
 Daimler 4.2 and Jaguar Vanden Plas Series 3

1I 07R

GROUP H
 FUEL/EXHAUST/EMISSION - Airflow Meter (4.2 Litre only)



① UK/Europe (Emiss "B")/Middle East

② USA/Canada/Japan/Australia/Sweden/Switzerland/Germany

ULC3690 Tamper Proof Plug (airflow meter)

VS1002

Jaguar XJ6 4.2 and Jaguar Sovereign Series 3
 Daimler 4.2 and Jaguar Vanden Plas series 3

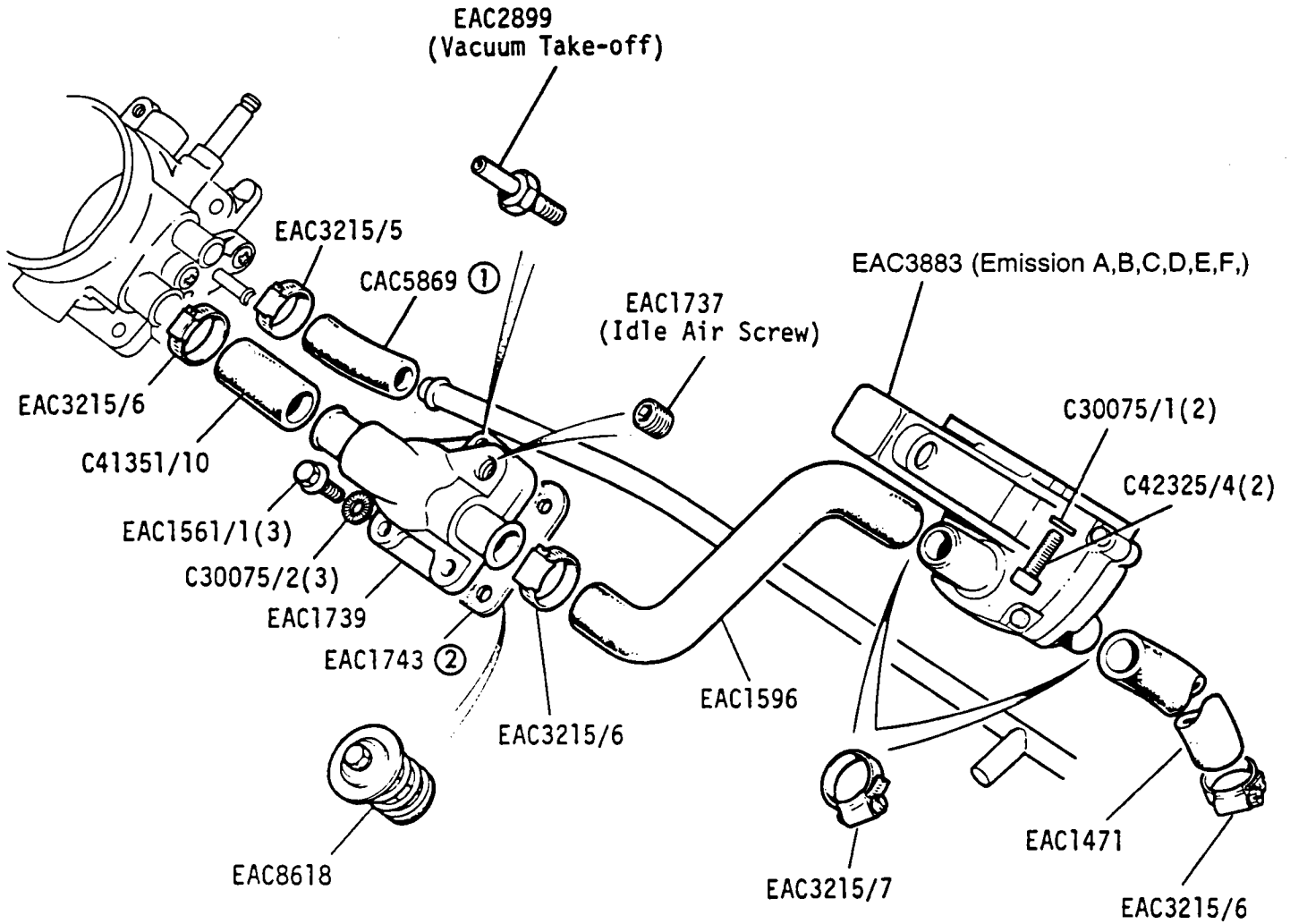
11 08L

GROUP H

FUEL/EXHAUST/EMISSION - Extra Air Valve/Deceleration Valve (4.2 Litre only)

All Countries up to 8L.200425 only

All Countries except Europe/Middle East from 8L200426 ③



① Supplied in 1 metre Lengths

② Part of JLM9534 Gasket Set

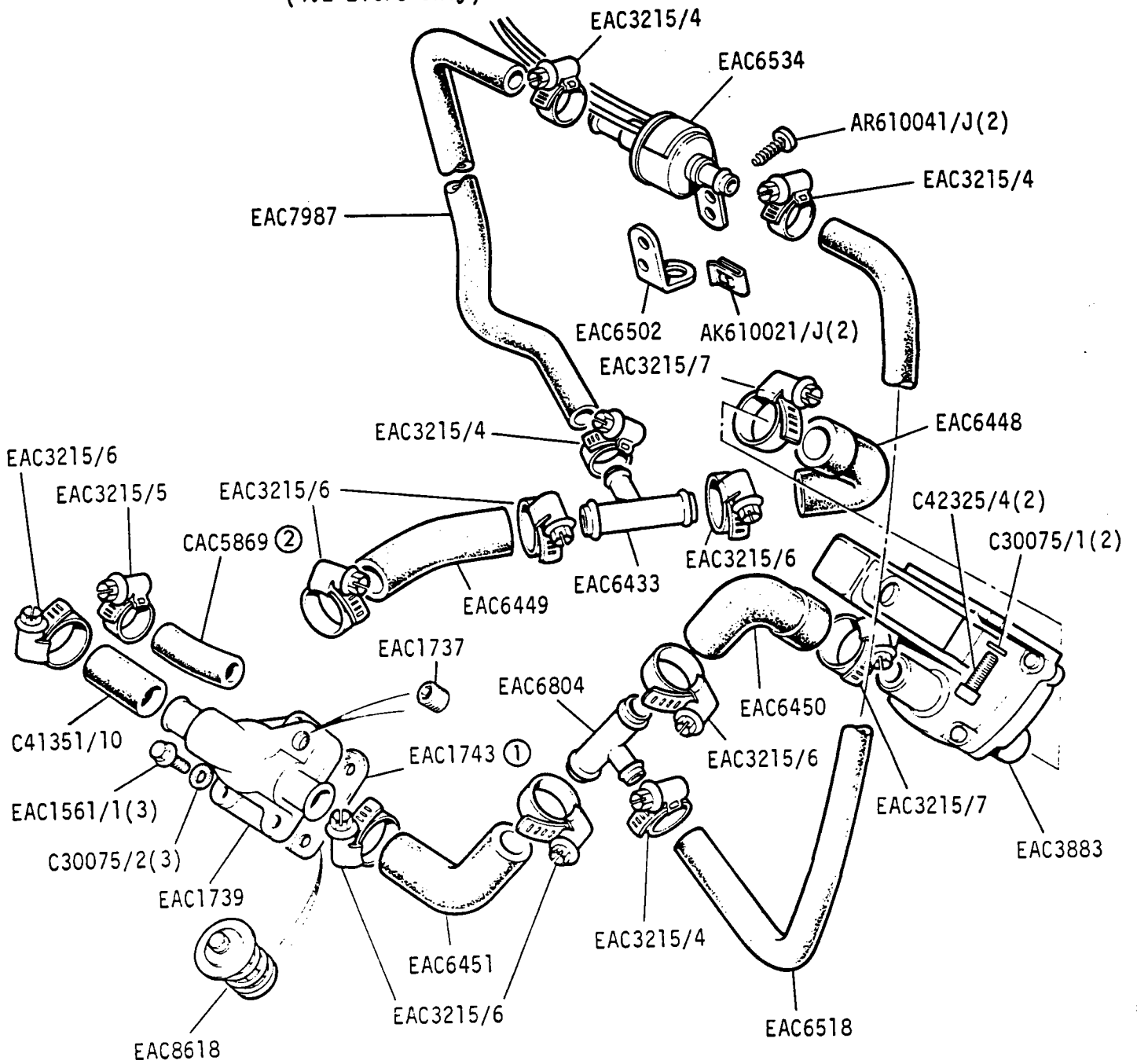
③ For Subsequent details for Europe/Middle East refer to 1I 09

VS1494

Jaguar XJ6 4.2 and Jaguar Sovereign Series 3
Daimler 4.2 and Jaguar Vanden Plas Series 3

1I 08R

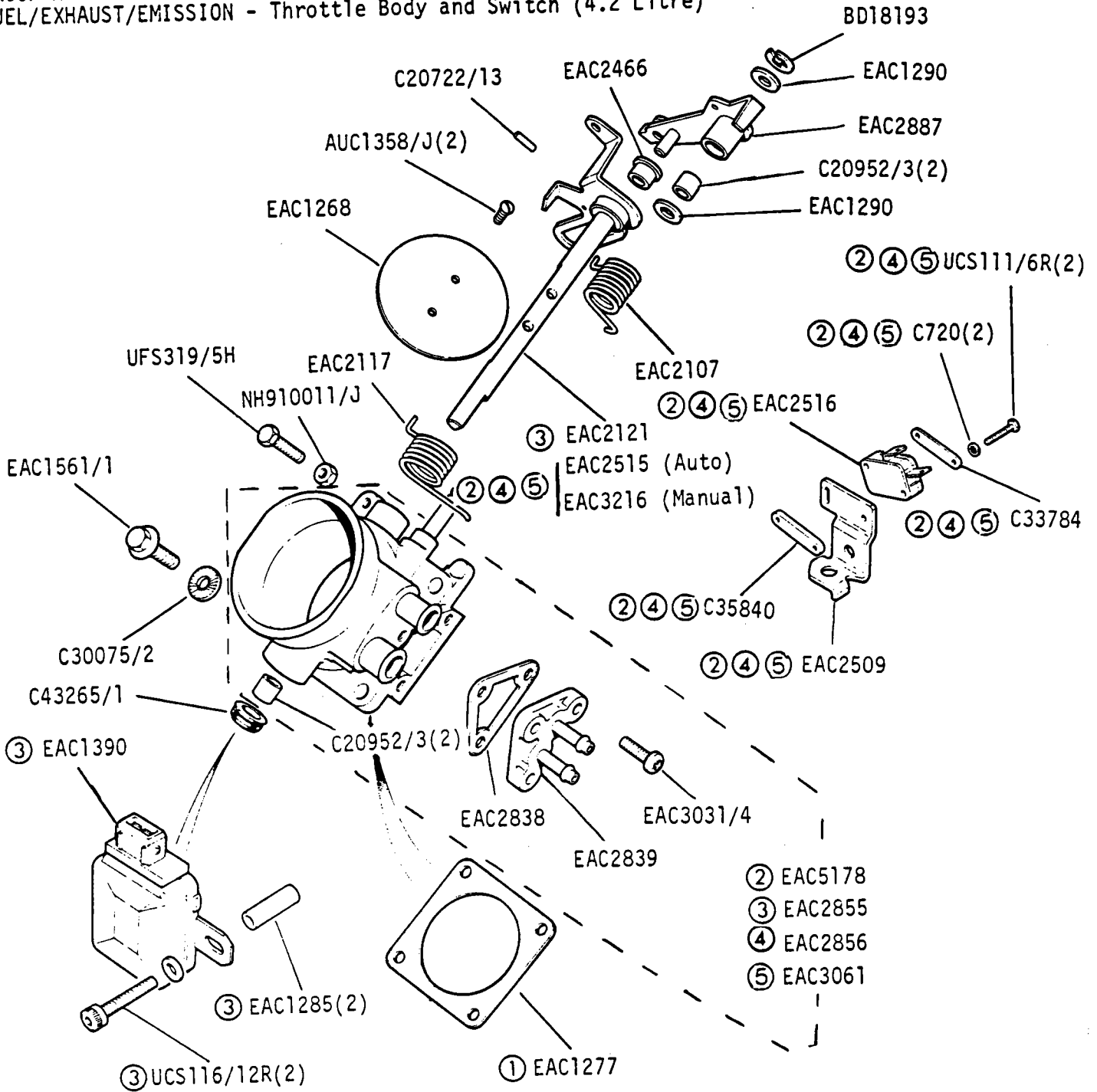
GROUP H
 FUEL/EXHAUST/EMISSION - Extra Air Valve and Deceleration Valve ③
 (4.2 Litre only)



- ① Part of JLM9534 Gasket Kit
- ② Supplied in 1 Metre Lengths
- ③ Europe (Emiss "B") and Middle East only from Engine No 8L.200426 →

Jaguar XJ6 4.2 and Jaguar Sovereign Series 3
 Daimler 4.2 and Jaguar Vanden Plas Series 3

GROUP H
 FUEL/EXHAUST/EMISSION - Throttle Body and Switch (4.2 Litre)



- ① Part of JLM9534 Gasket Set
- ② UK and Europe (Emiss "B")
- ③ USA/Canada/Japan/Australia and Switzerland (Emission "C")/
 and Germany (Emission "F" optional from Eng No. 8L209816)
- ④ Middle East
- ⑤ Sweden/Switzerland (Emiss "D")

Jaguar XJ6 4.2 and Jaguar Sovereign Series 3
 Daimler 4.2 and Jaguar Vanden Plas Series 3

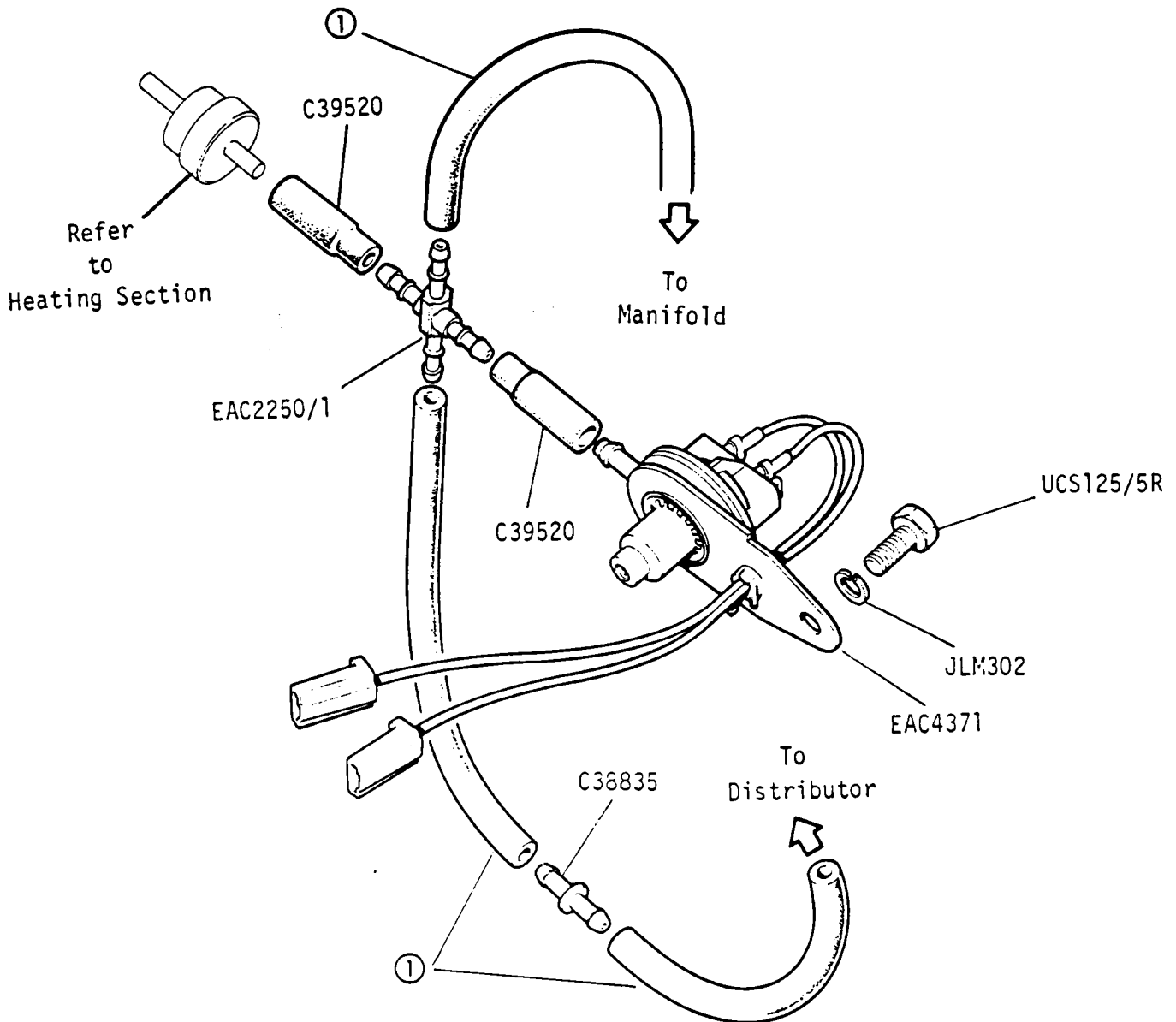
VE.1493

11 10L

GROUP H

FUEL/EXHAUST/EMISSION - Full Throttle Control Switch (4.2 Litre only)

UK and Europe (Emission "B")/Sweden/Middle East/Switzerland and
Australia (Emission "D")



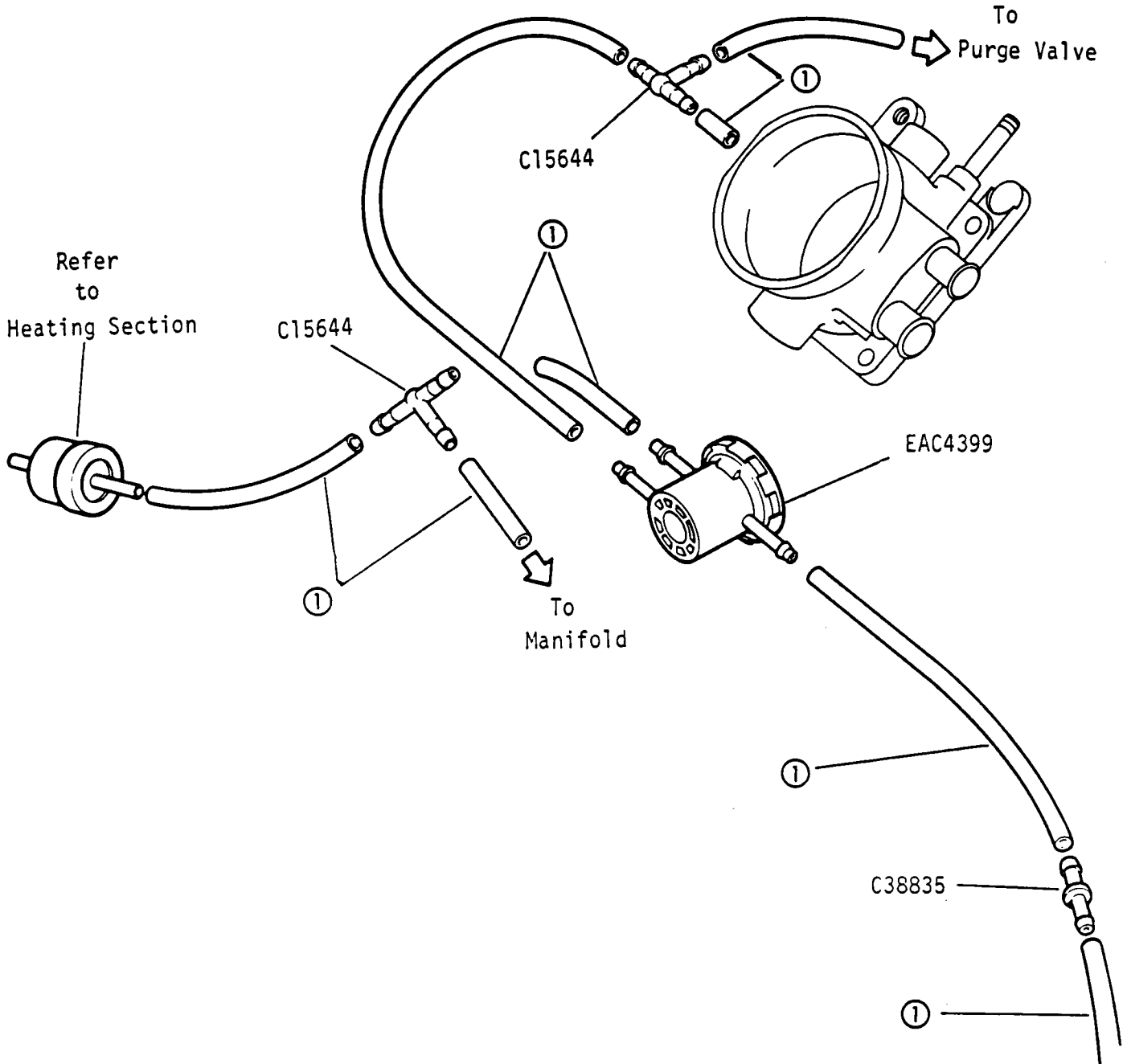
① EAC8022/30 (Supplied in 63" lengths)

VS1967

Jaguar XJ6 4.2 and Jaguar Sovereign Series 3
Daimler 4.2 and Jaguar Vanden Plas Series 3

11 10R

GROUP H
 FUEL/EXHAUST/EMISSION - Distributor Vacuum Advance (4.2 Litre)
 USA/Canada/Japan/Switzerland/Australia (Emission "C")/
 and Germany (Emission "F" optional from Eng No. 8L209816)



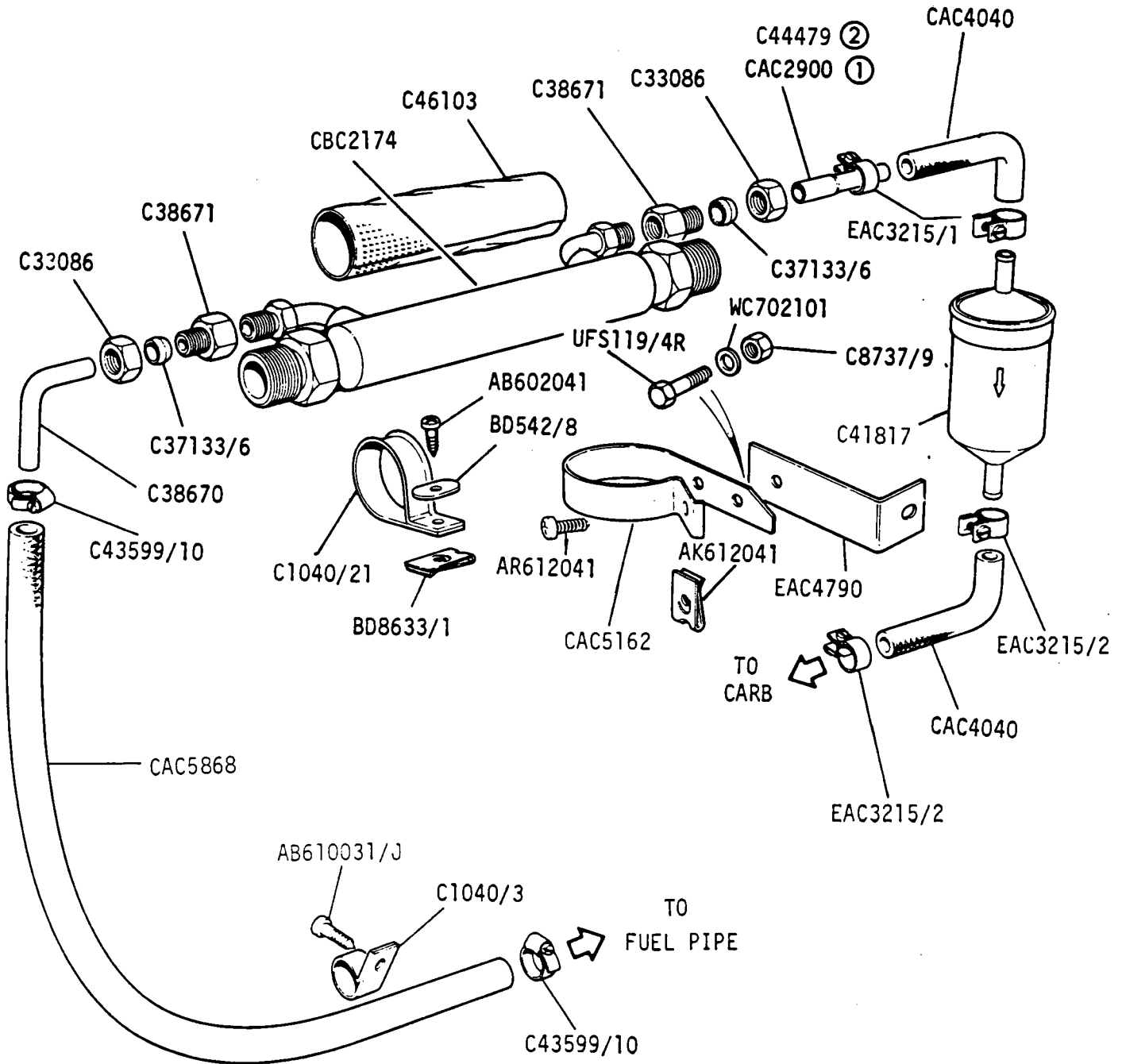
① EAC8022/30 (Supplied in 63" lengths)

VS4271

Jaguar XJ6 4.2 and Jaguar Sovereign Series 3
 Daimler 4.2 and Jaguar Vanden Plas Series 3

1I 11L

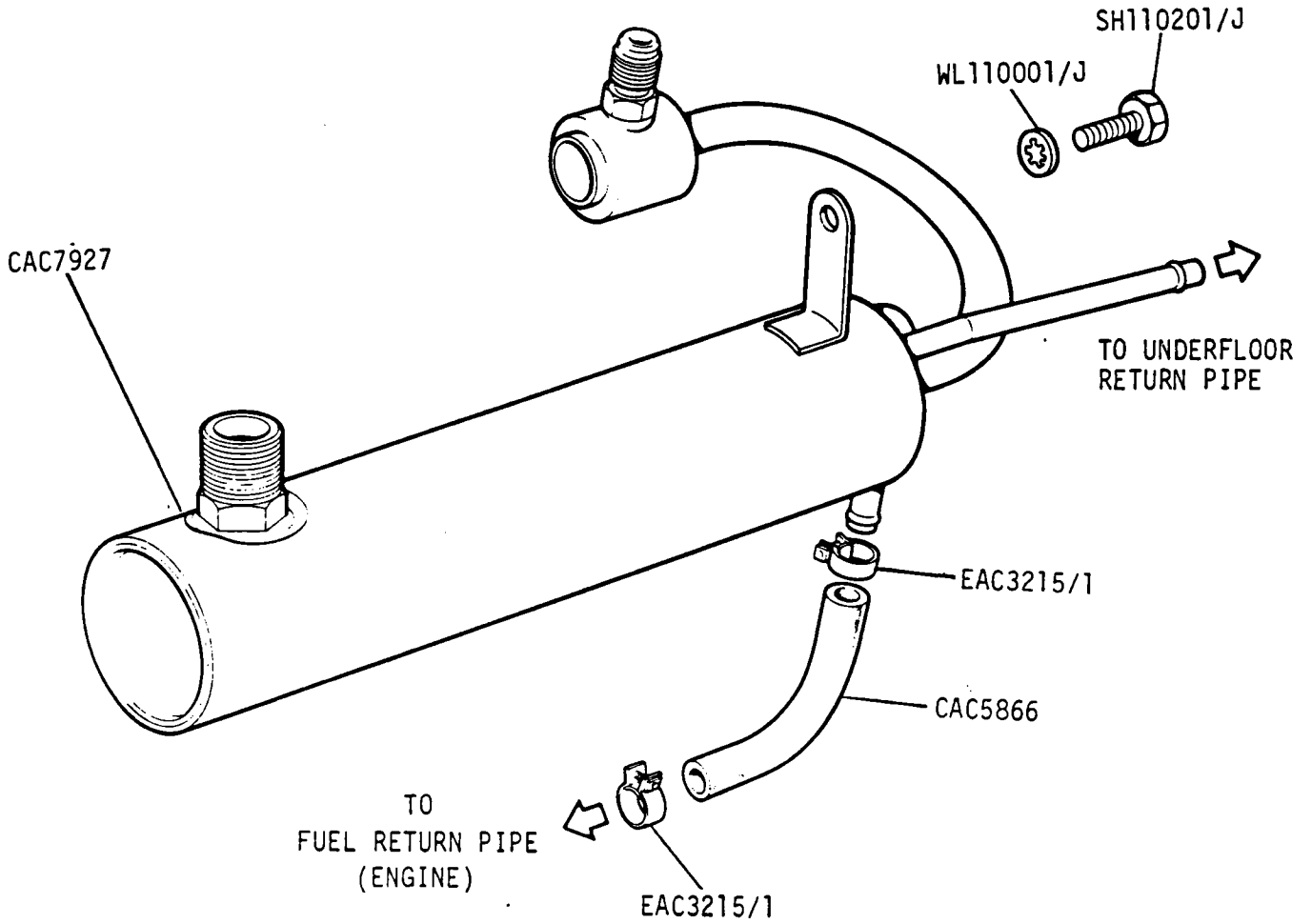
GROUP H
 FUEL/EXHAUST/EMISSION - Fuel Cooler and Filter (3.4 LITRE)



- ① Vehicles with Fuel Cooler
- ② Vehicles less Fuel Cooler

VS1077

GROUP H
FUEL/EXHAUST/EMISSION - Fuel Cooler (4.2 litre)

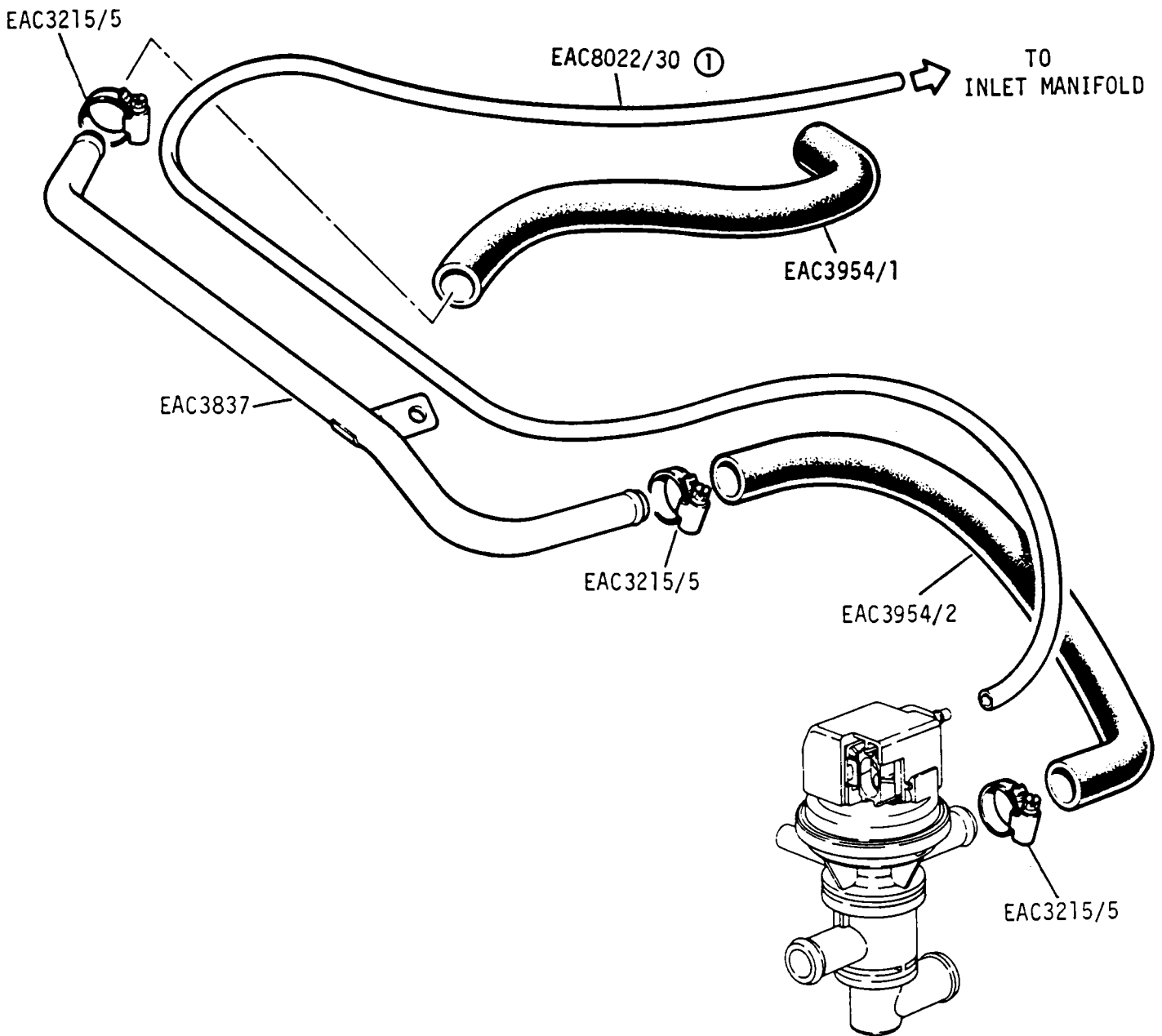


VS1543

Jaguar XJ6 4.2 and Jaguar Sovereign Series 3
Daimler 4.2 and Jaguar Vanden Plas Series 3

11 12L

GROUP H
 FUEL/EXHAUST/EMISSION - Air Pipe and Hoses (4.2 Litre Air Injection Only) ②



① Supplied in 63" Lengths

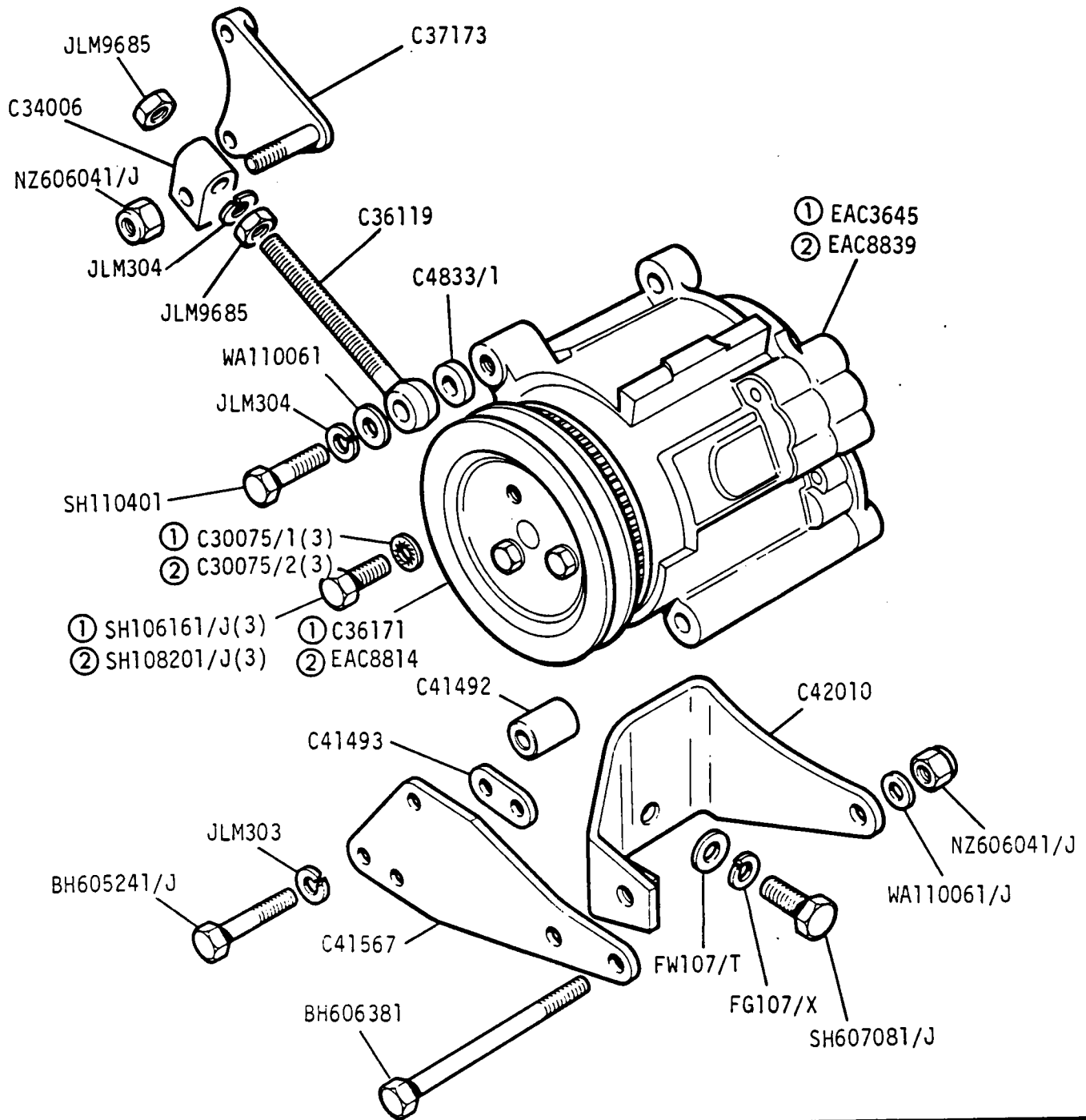
VS3033

② All USA Vehicles and from 8L.209816 → (Emission "F" - Germany/Switzerland)

Jaguar XJ6 4.2 and Jaguar Sovereign Series 3
 Daimler 4.2 and Jaguar Vanden Plas Series 3

11 12R

GROUP H
 FUEL/EXHAUST/EMISSION - Air Injection Pump (4.2 Litre) - Air Injection Engine ③



① → Engine NO 8L.222900

② Engine No 8L.222901 →

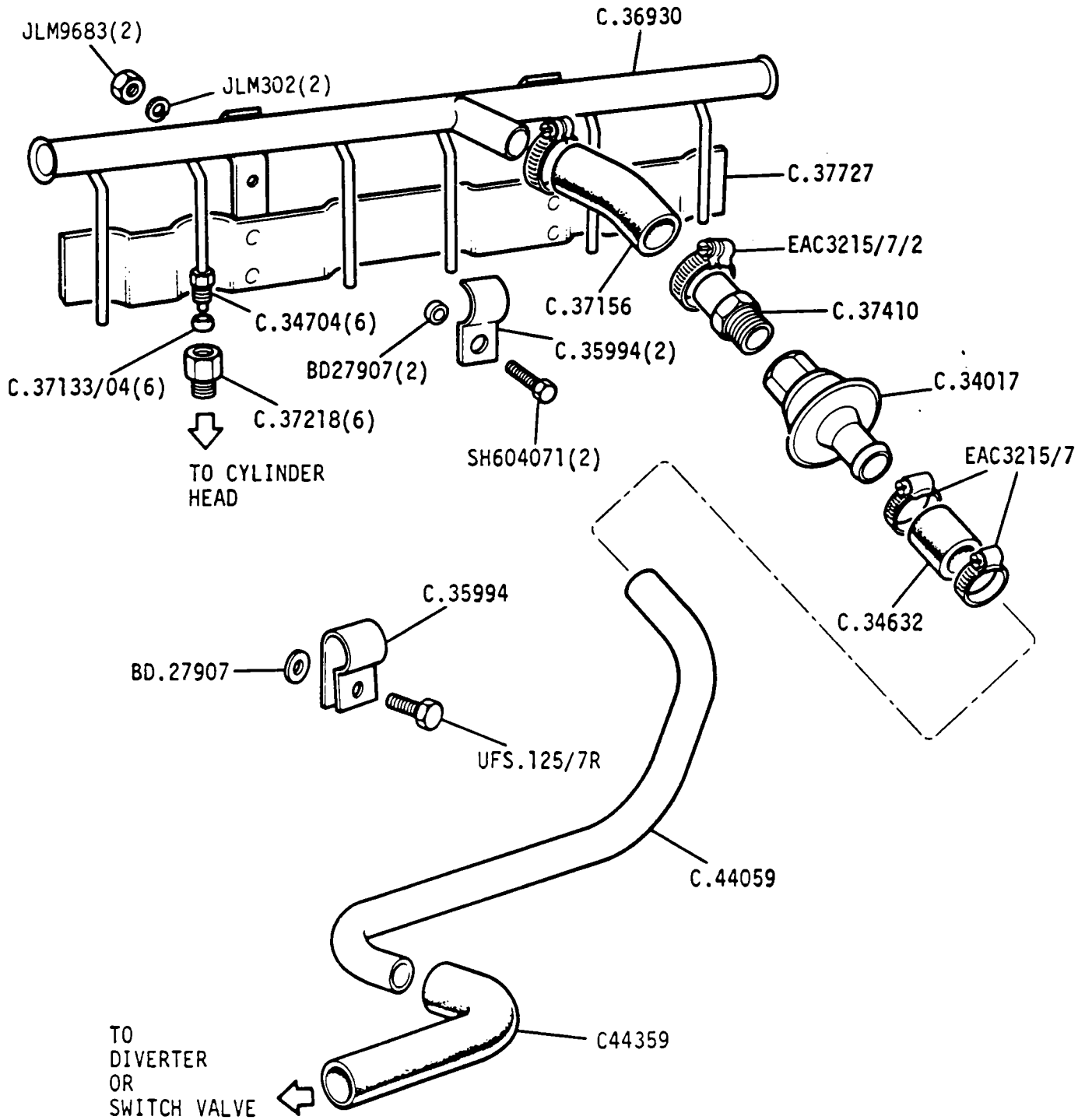
③ | Air Injection applicable to USA/Sweden/Switzerland/
 Australia (Emission D only) and from Engine No 8L.209816 →
 for Germany optional (Emission "F")

VS4434

Jaguar XJ6 4.2 and Jaguar Sovereign Series 3
 Daimler 4.2 and Jaguar Vanden Plas Series 3

11 13L

GROUP H
 FUEL/EXHAUST/EMISSION - Air Rail and Check Valve(4.2 litre -Air Injection Engine Only) ①



①

Air Injection applicable to USA/Sweden/Switzerland/
 Australia (Emission "D" only) and from ENG. No 8L209816
 for Germany (Emission "F" optional)

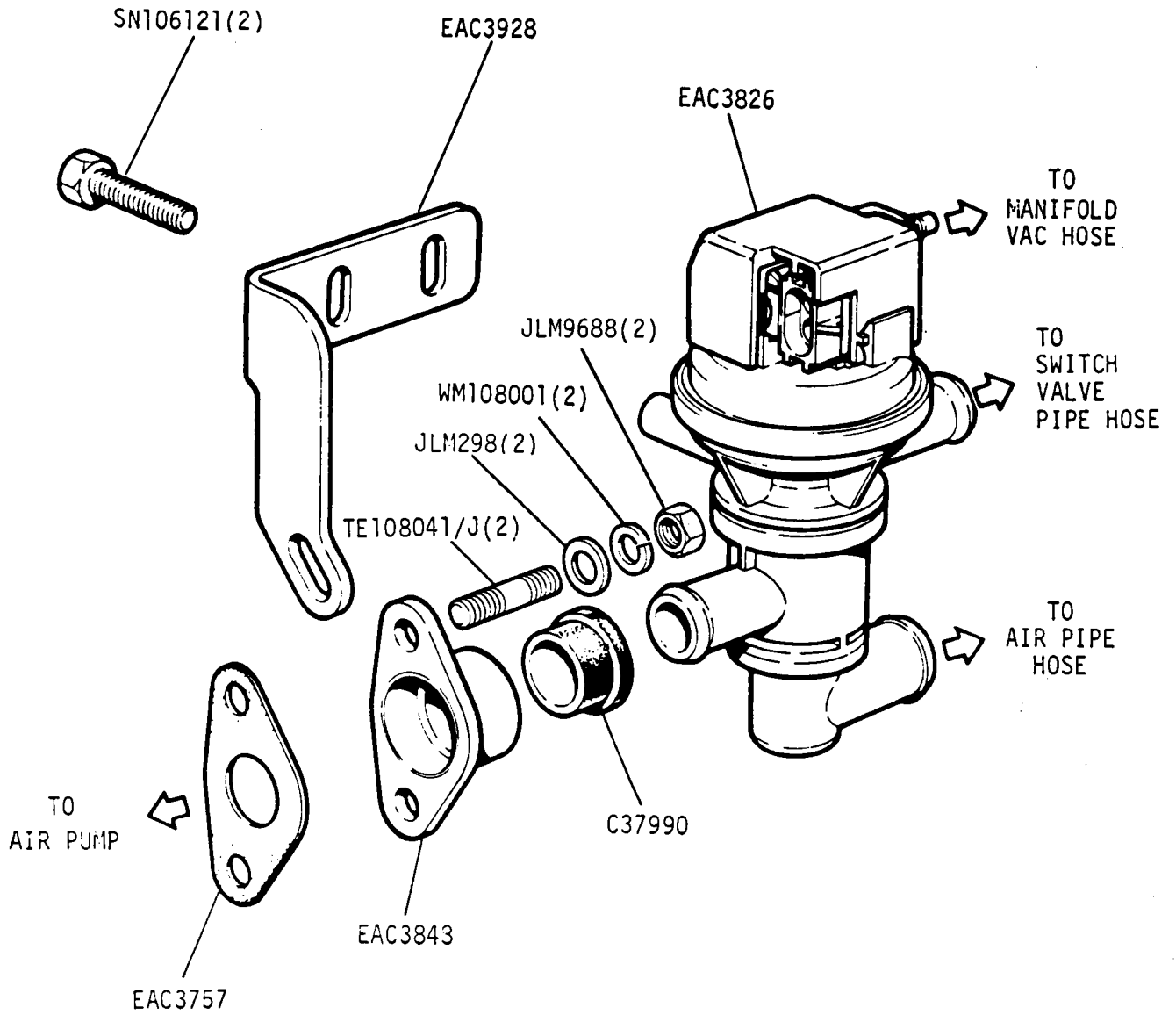
VS3036

Jaguar XJ6 4.2 and Jaguar Sovereign Series 3
 Daimler 4.2 and Jaguar Vanden Plas Series 3

11 13R

GROUP H
FUEL/EXHAUST/EMISSION - Air Switching Valve (4.2 Litre Air Injection)

All USA Vehicles and from 8L.209816 → (Emission "F" - Germany/Switzerland)



VS3300

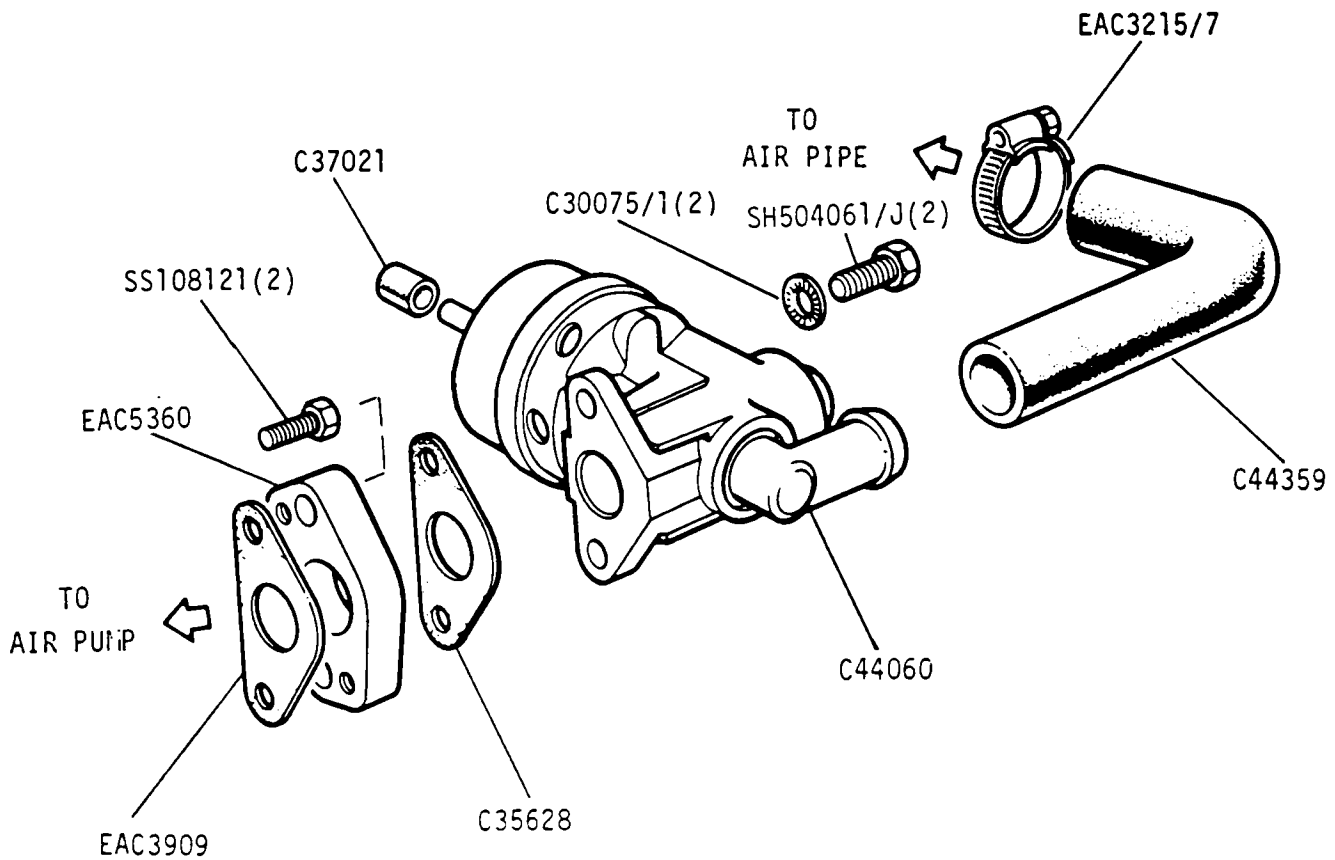
Jaguar XJ6 4.2 and Jaguar Sovereign Series 3
Daimler 4.2 and Jaguar Vanden Plas Series 3

11 14L

GROUP H

FUEL/EXHAUST/EMISSION - Diverter Valve (4.2 Litre Air Injection)

Australia (Emission "D"/Sweden/Switzerland (Emission "D"))



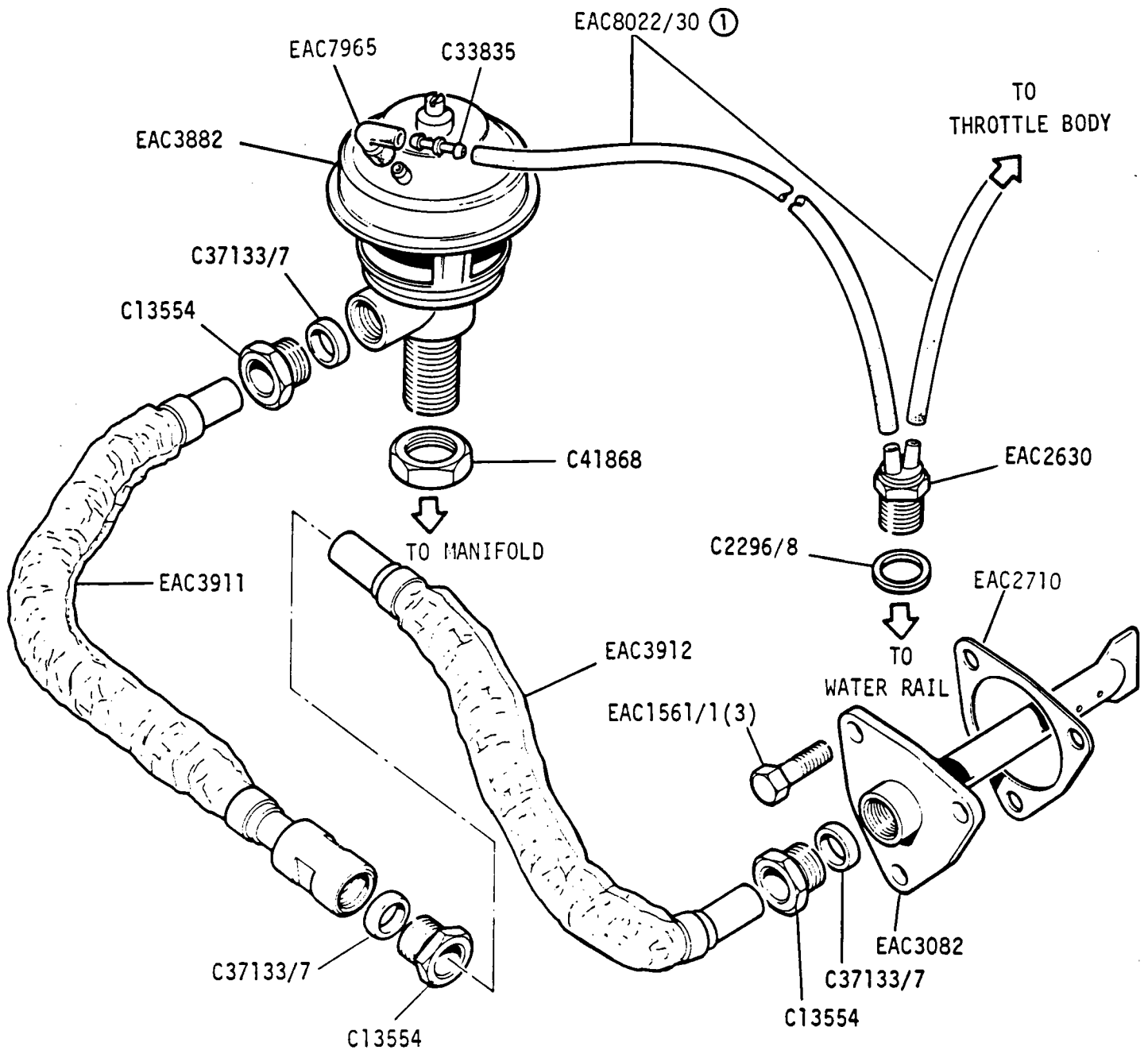
VS3299

Jaguar XJ6 4.2 and Jaguar Sovereign Series 3
Daimler 4.2 and Jaguar Vanden Plas Series 3

11 14R

GROUP H
 FUEL/EXHAUST/EMISSION - E.G.R. Valve (4,2 Litre Air Injection)

Australia (Emission "D" only) / Sweden/Switzerland (Emission "D")



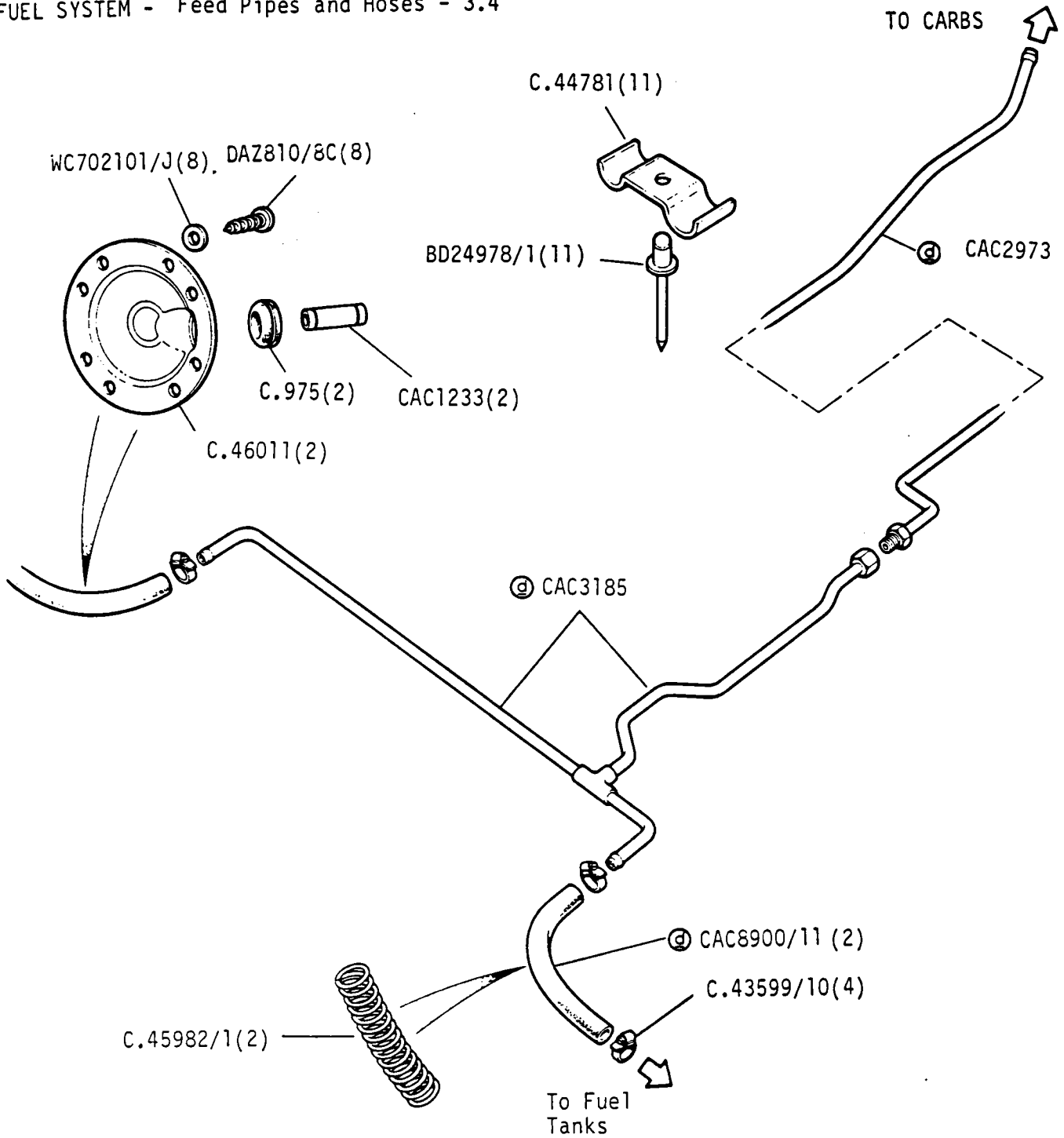
① Supplied in 63" lengths

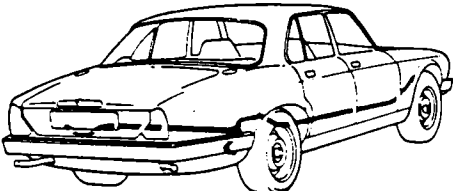
VS3608

Jaguar XJ6 4.2 and Jaguar Sovereign Series 3
 Daimler 4.2 and Jaguar Vanden Plas Series 3

11 15L

GROUP H
 FUEL SYSTEM - Feed Pipes and Hoses - 3.4



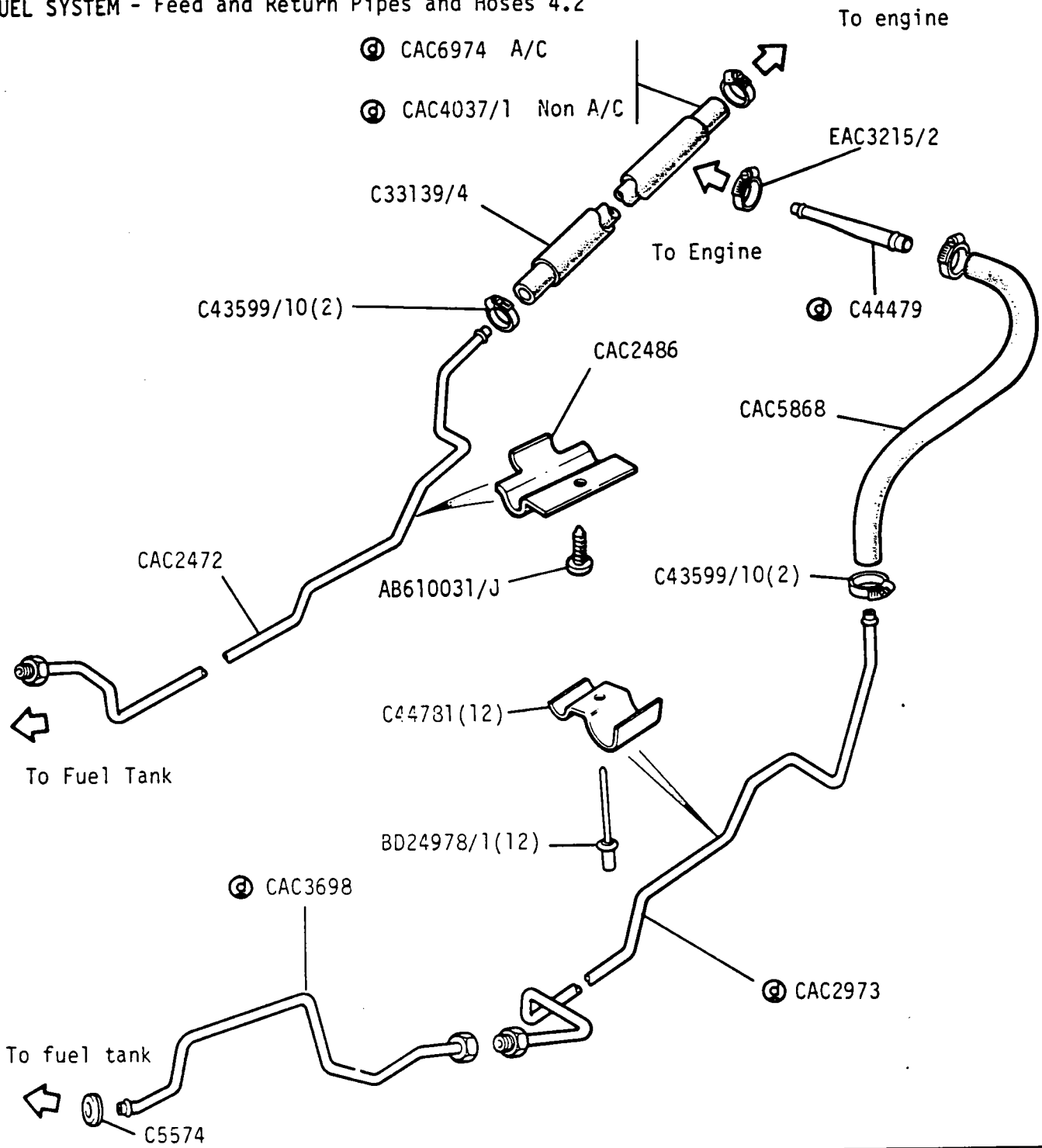


VS1545

Jaguar XJ6 3.4 and 4.2 and Jaguar Sovereign Series 3
 Daimler 4.2 and Jaguar Vanden Plas Series 3

1J 02L

GROUP H
FUEL SYSTEM - Feed and Return Pipes and Hoses 4.2

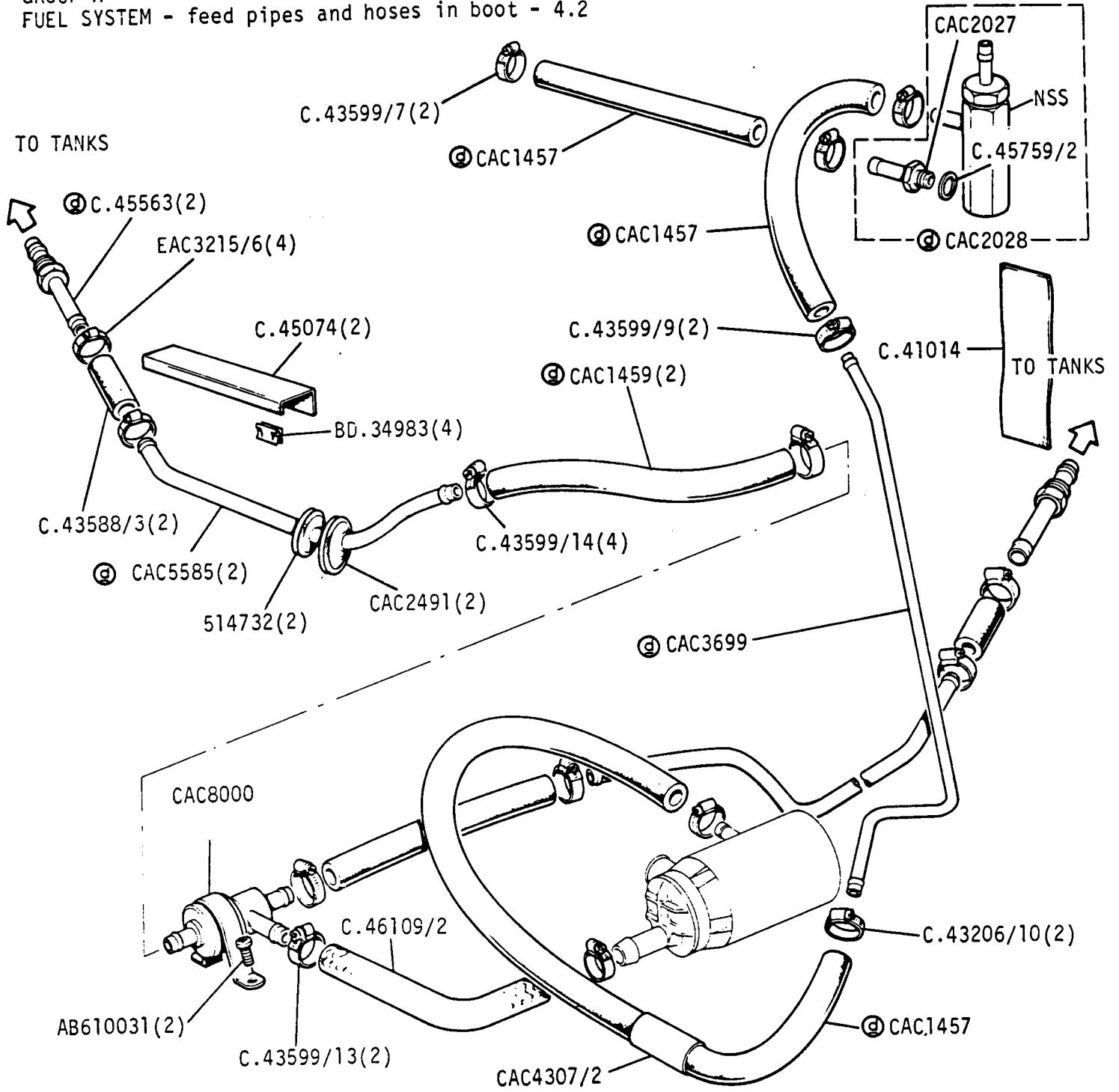


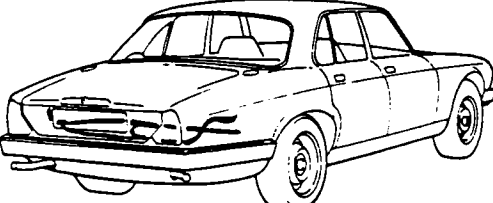
VS2016

Jaguar XJ6 3.4 and 4.2 and Jaguar Sovereign Series 3
Daimler 4.2 and Jaguar Vanden Plas Series 3

1J 02R

GROUP H
 FUEL SYSTEM - feed pipes and hoses in boot - 4.2



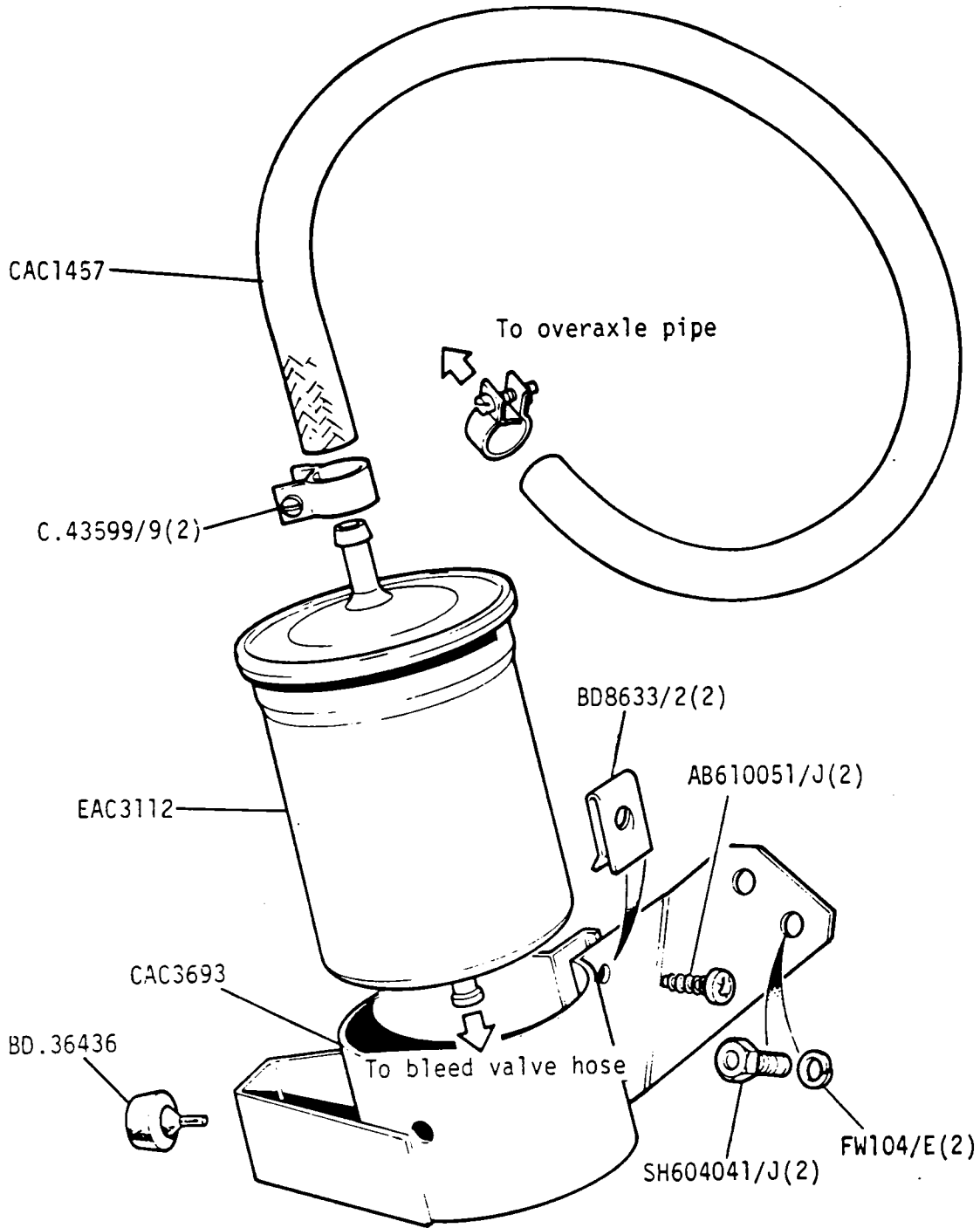


VS.1520

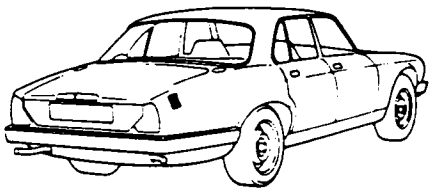
Jaguar XJ6 3.4 and 4.2 and Jaguar Sovereign Series 3
 Daimler 4.2 and Jaguar Vanden Plas Series 3

1J 03L

GROUP H
FUEL SYSTEM - filter and mounting (in boot)



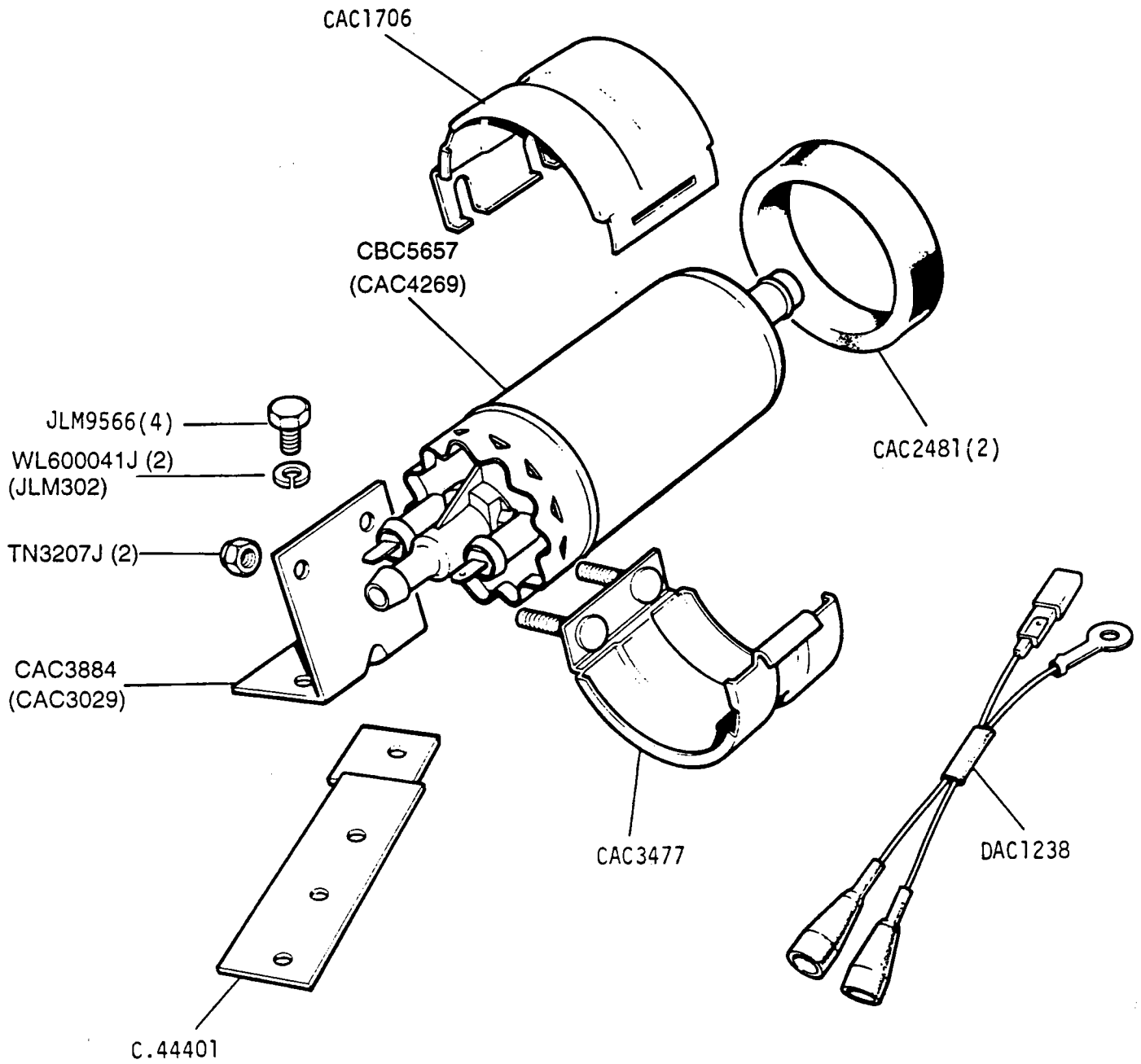
VS.2009



Jaguar XJ6 3.4 and 4.2 and Jaguar Sovereign Series 3
Daimler 4.2 and Jaguar Vanden Plas Series 3

1J G3R

GROUP H
 FUEL-fuel pump and mountings: ①



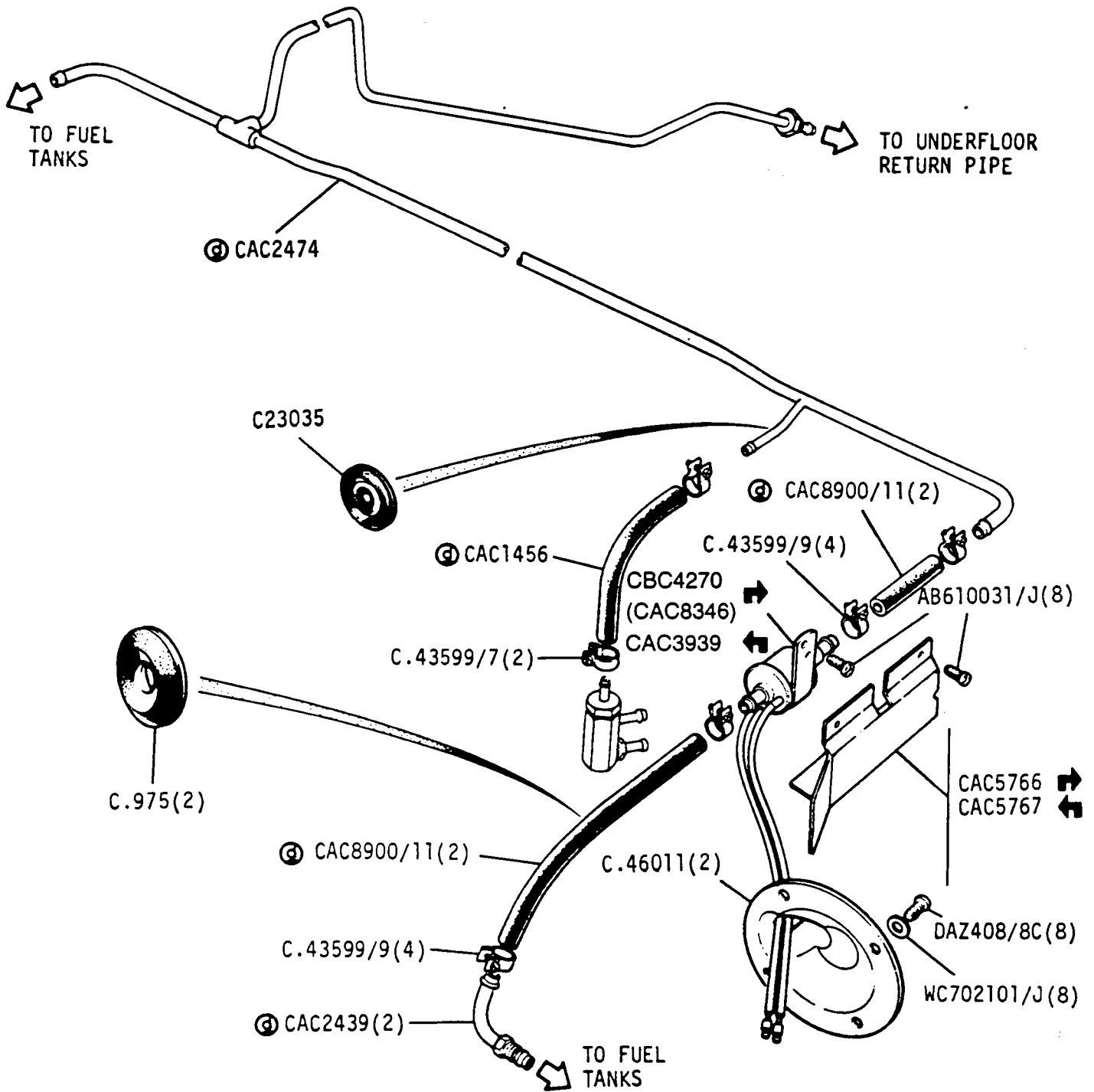
① 4.2L fuel injection

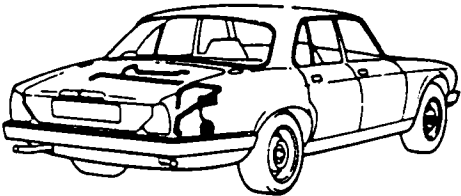
SM.5547

Jaguar XJ6 3.4 and 4.2 and Jaguar Sovereign Series 3
 Daimler 4.2 and Jaguar Vanden Plas Series 3

1J 04L

GROUP H
 FUEL SYSTEM - return pipes and hoses in boot - 4.2



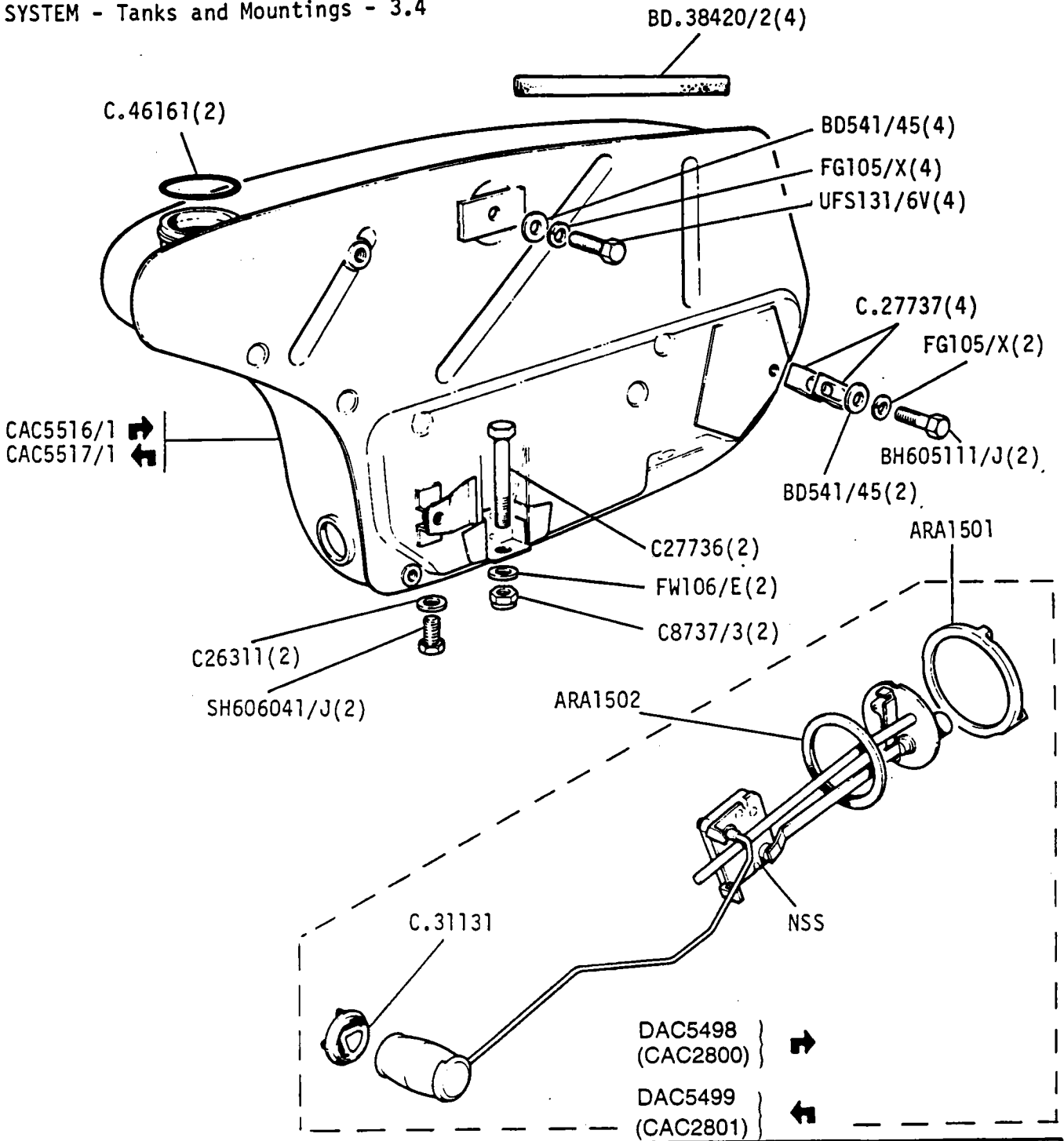


VS.1118

Jaguar XJ6 3.4 and 4.2 and Jaguar Sovereign Series 3
 Daimler 4.2 and Jaguar Vanden Plas Series 3

1J 04R

GROUP H
 FUEL SYSTEM - Tanks and Mountings - 3.4

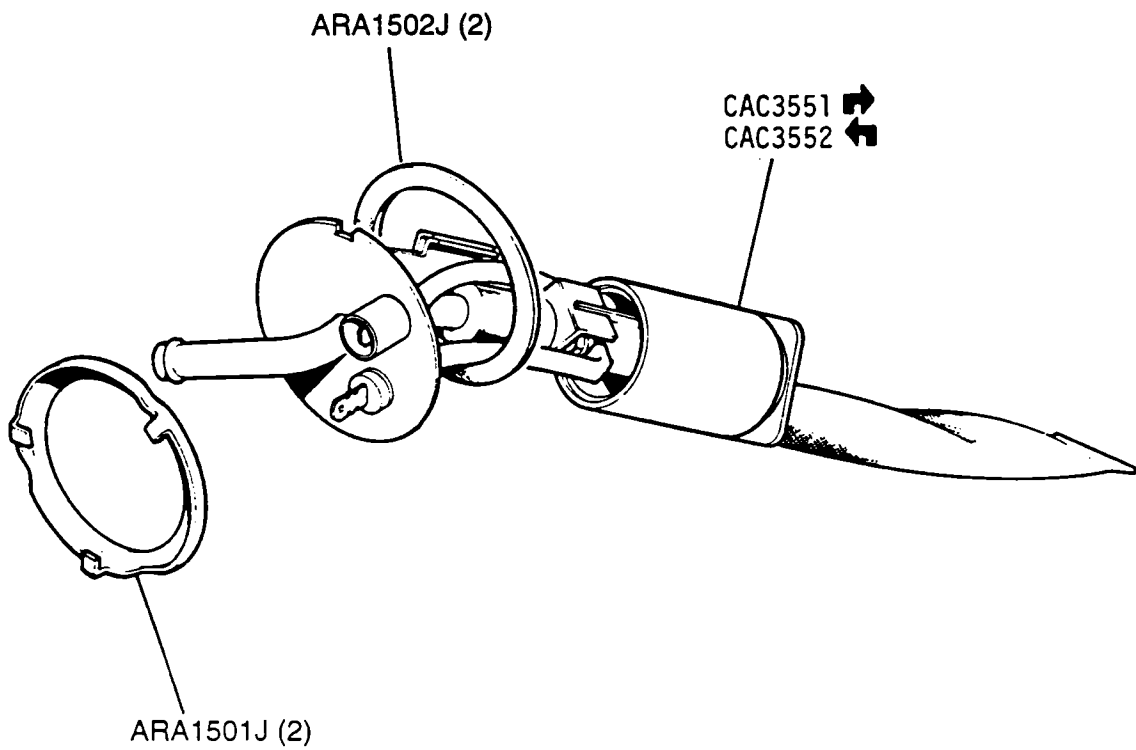


VS.1571

Jaguar XJ6 3.4 and 4.2 and Jaguar Sovereign Series 3
 Daimler 4.2 and Jaguar Vanden Plas Series 3

1J 05L

GROUP H
ELECTRICAL - Immersed Fuel Pumps - 3.4 Litre

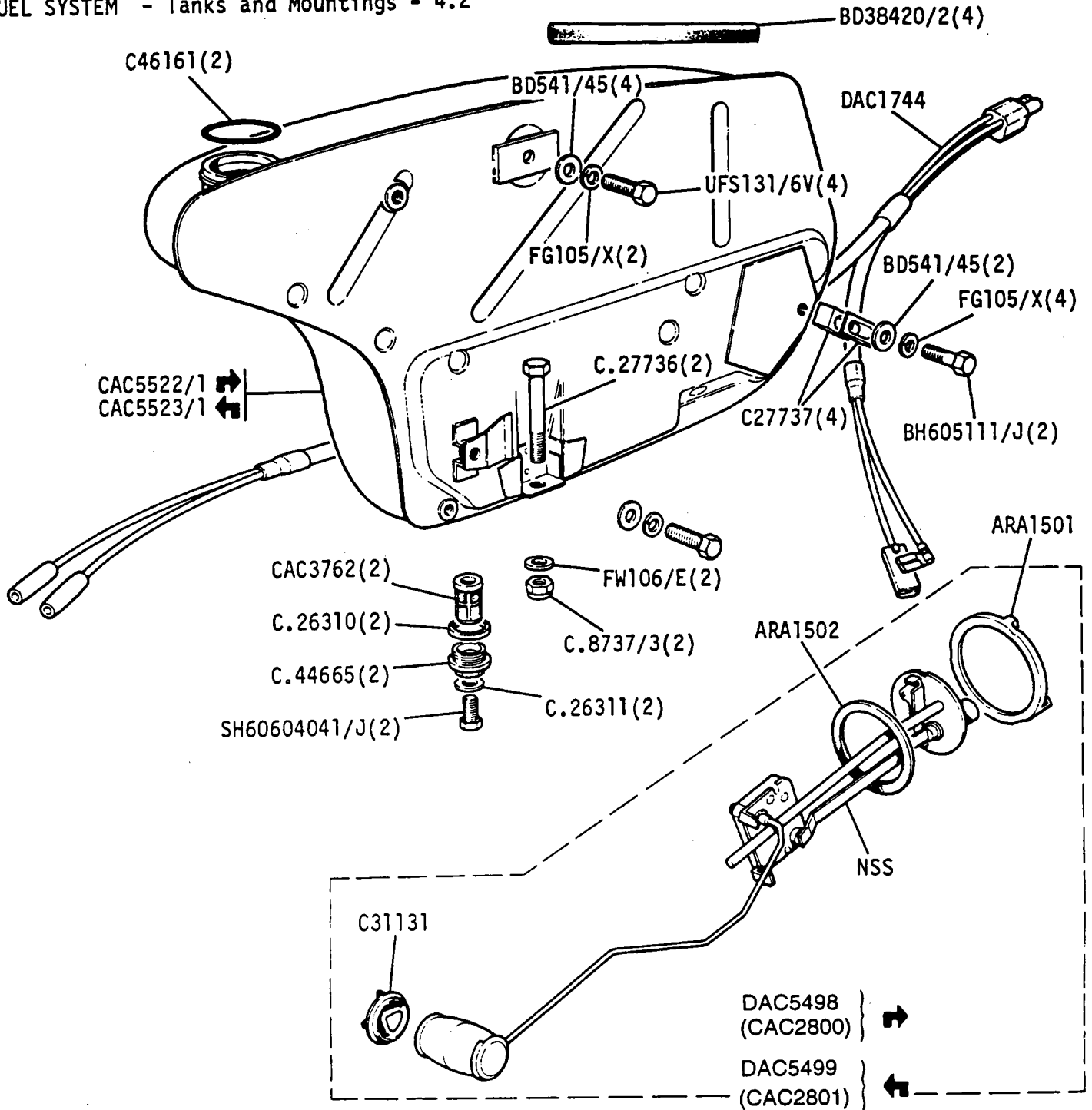


SM5611

Jaguar XJ6 3.4 and 4.2 and Jaguar Sovereign Series 3
Daimler 4.2 and Jaguar Vanden Plas Series 3

1J 05R

GROUP H
 FUEL SYSTEM - Tanks and Mountings - 4.2

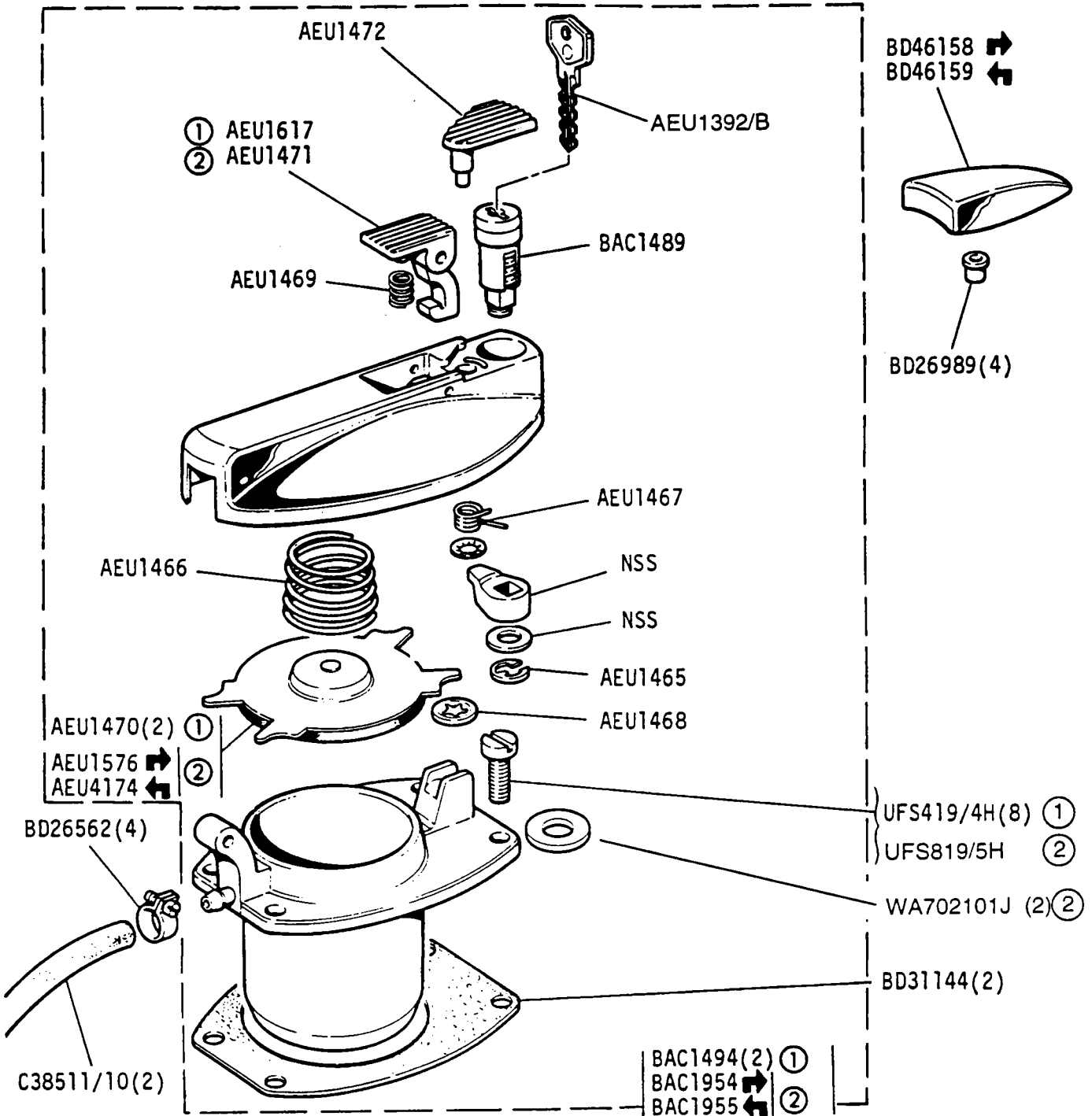


VS1570

Jaguar XJ6 3.4 and 4.2 and Jaguar Sovereign Series 3
 Daimler 4.2 and Jaguar Vanden Plas Series 3

1J 06L

GROUP H
 FUEL SYSTEMS - fuel filler cap



① Not CDN/USA

② CDN/USA

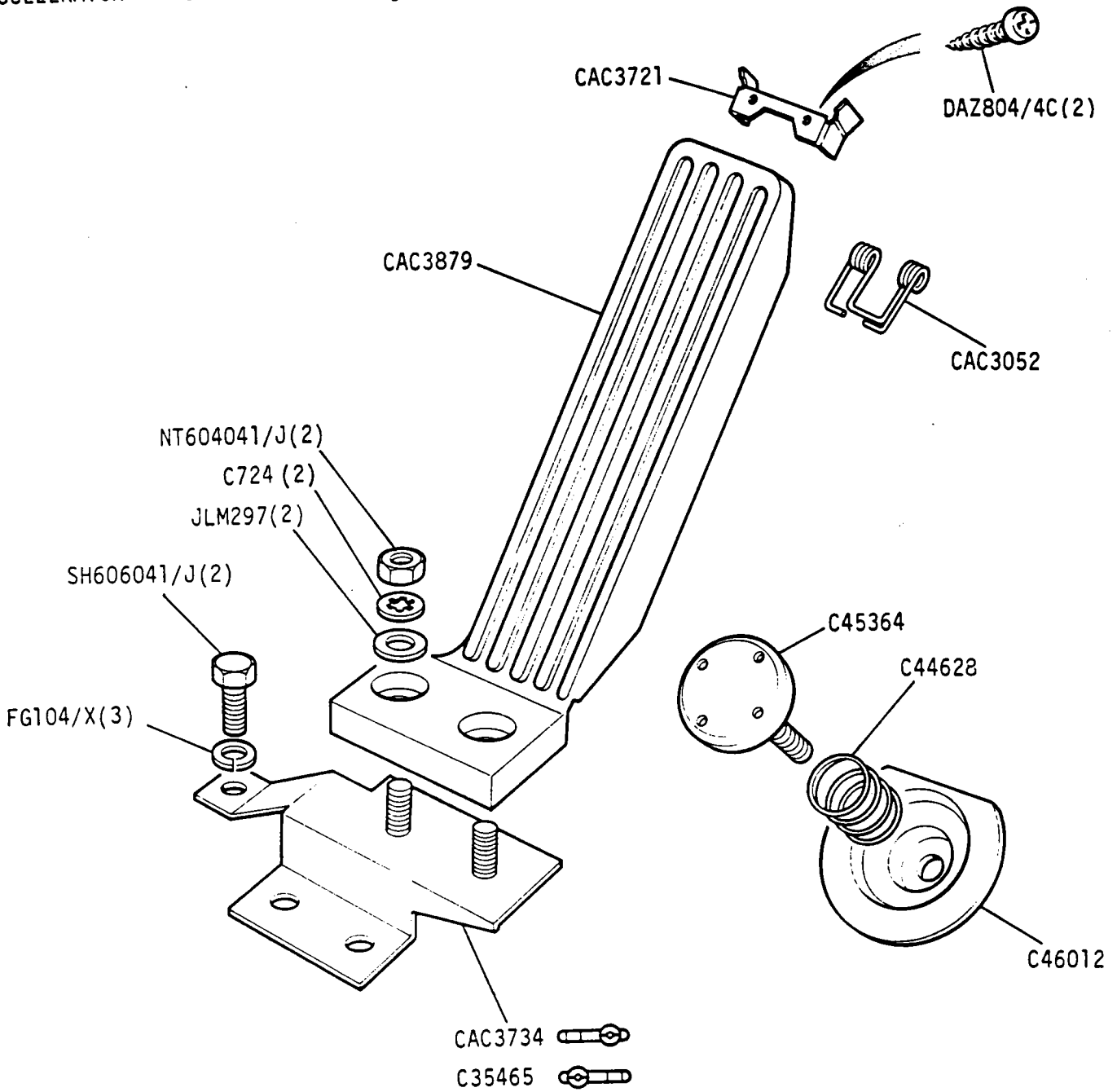
BDC7261 Badge unleaded fuel

VS1867

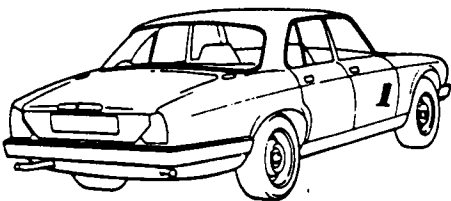
Jaguar XJ6 3.4 and 4.2 and Jaguar Sovereign Series 3
 Daimler 4.2 and Jaguar Vanden Plas Series 3

1J06R

GROUP H
ACCELERATOR - Pedal and Mountings




VS1579

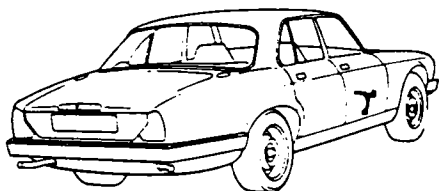
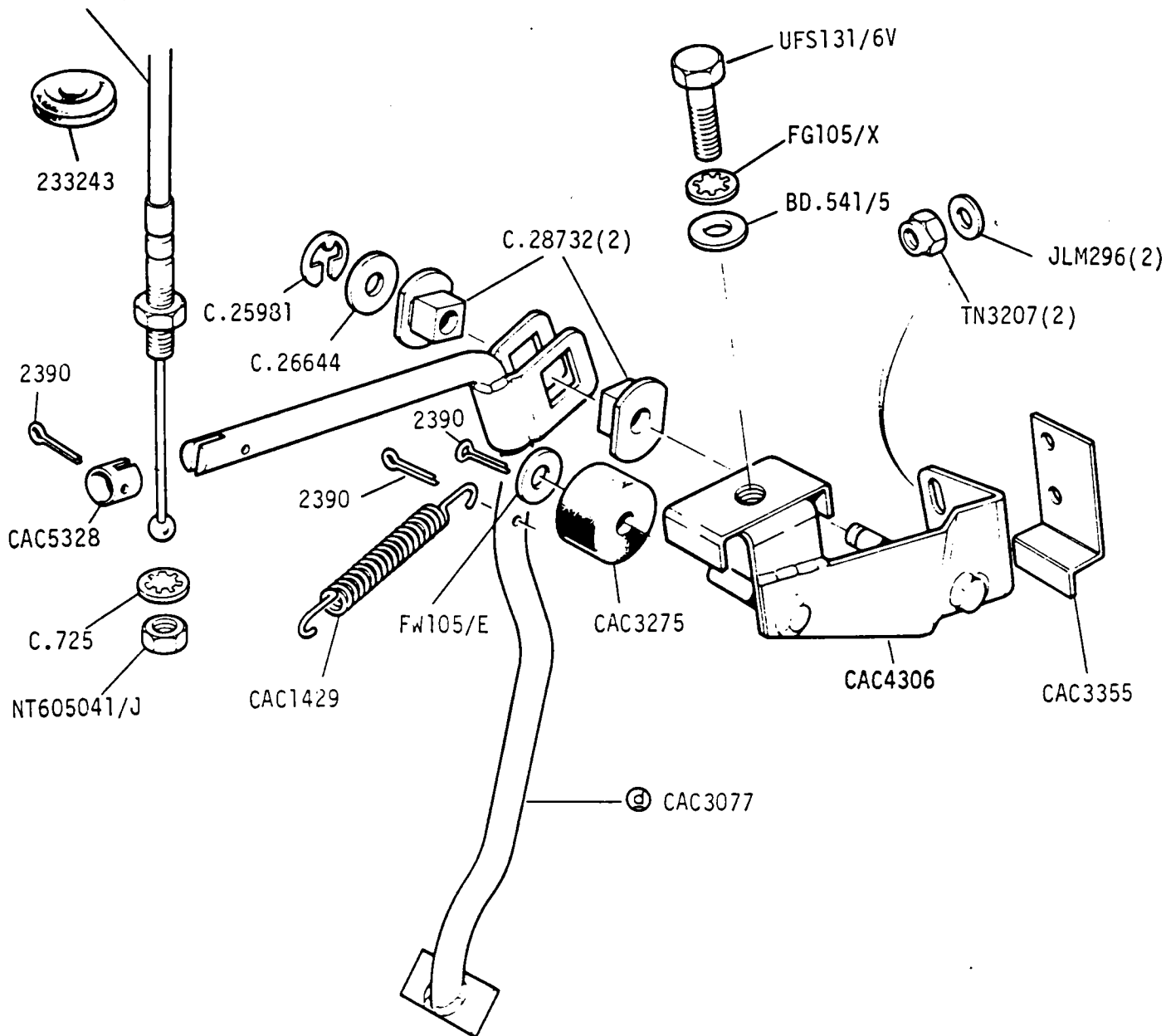


Jaguar XJ6 3.4 and 4.2 and Jaguar Sovereign Series 3
Daimler 4.2 and Jaguar Vanden Plas Series 3

1J07L

GROUP H
 ACCELERATOR - Operating Rod and Cable 


ⓐ CBC1903/1 - 3.4
 CBC1905/1 - 4.2

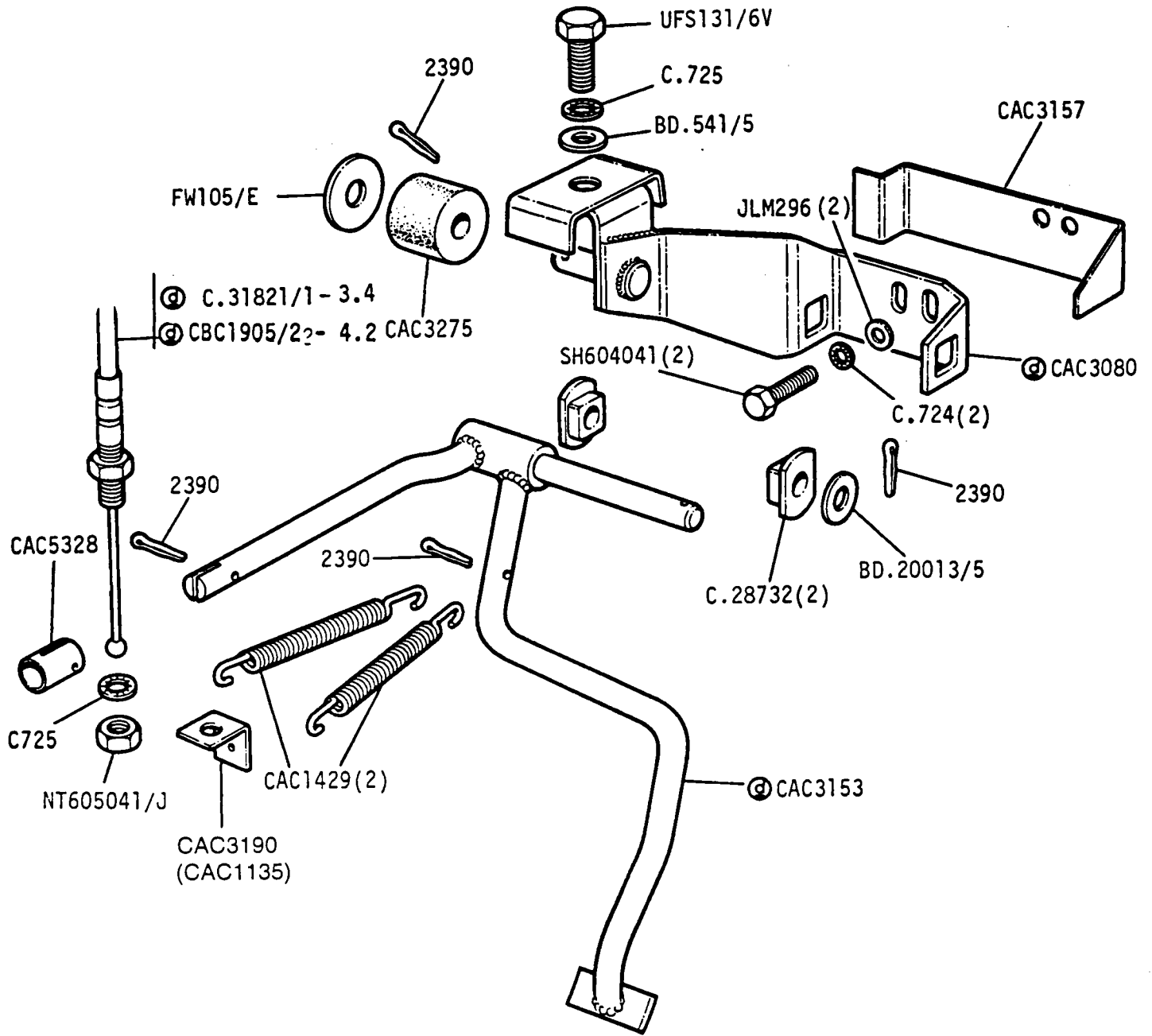


VS1580

Jaguar XJ6 3.4 and 4.2 and Jaguar Sovereign Series 3
 Daimler 4.2 and Jaguar Vanden Plas series 3

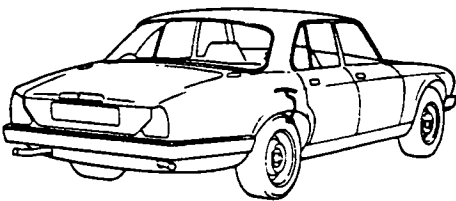
1J07R

GROUP H
ACCELERATOR - operating rod and cable 



VS1578

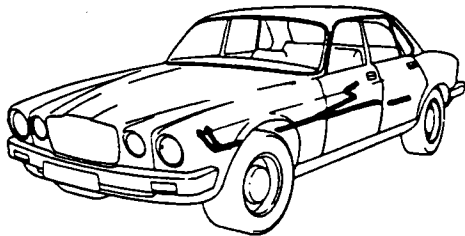
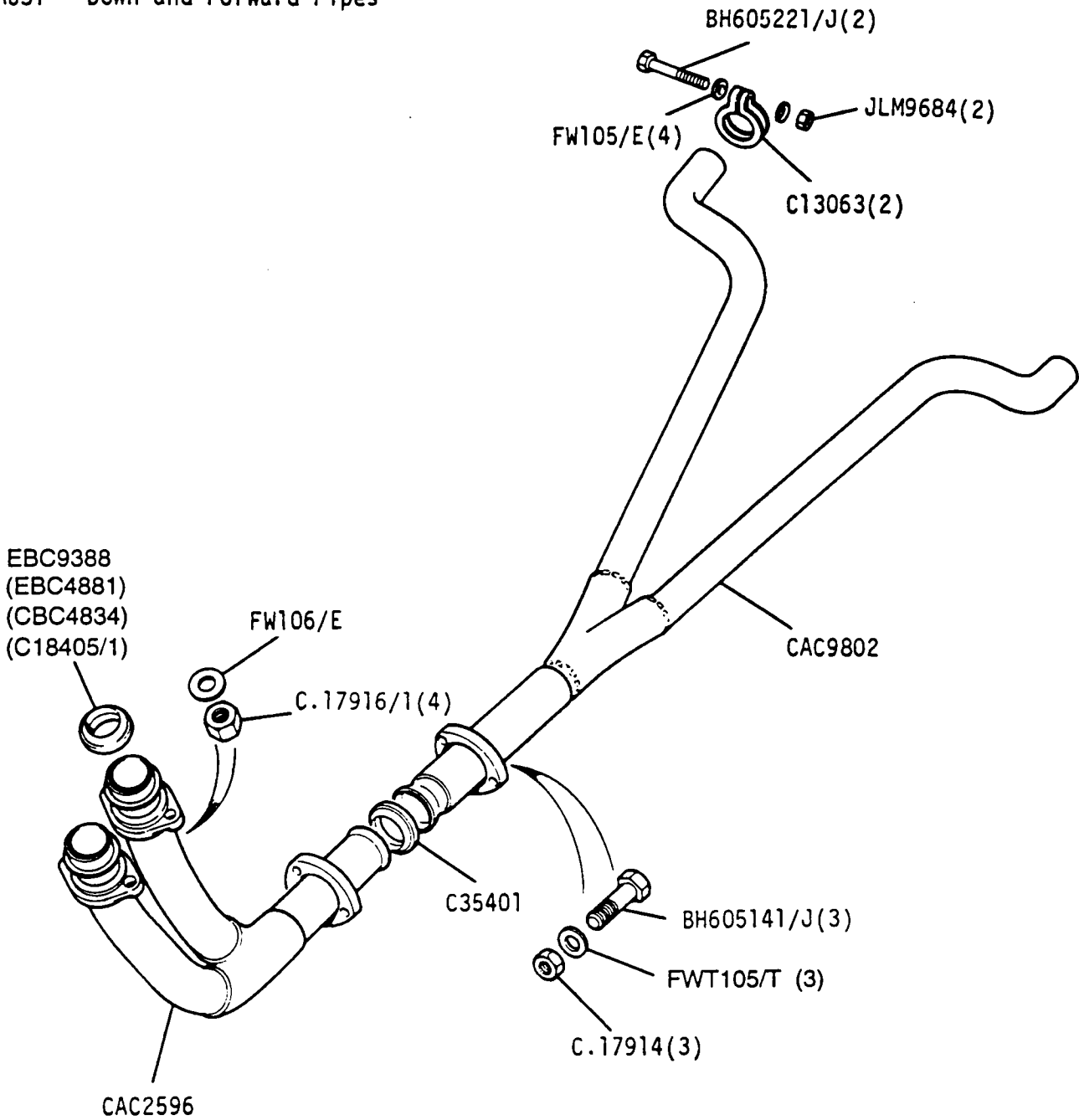
C25969 Cable tie - cable to brake vac pipe



Jaguar XJ6 3.4 and 4.2 and Jaguar Sovereign Series 3
Daimler 4.2 and Jaguar Vanden Plas Series 3

1J08L

GROUP H
EXHAUST - Down and Forward Pipes

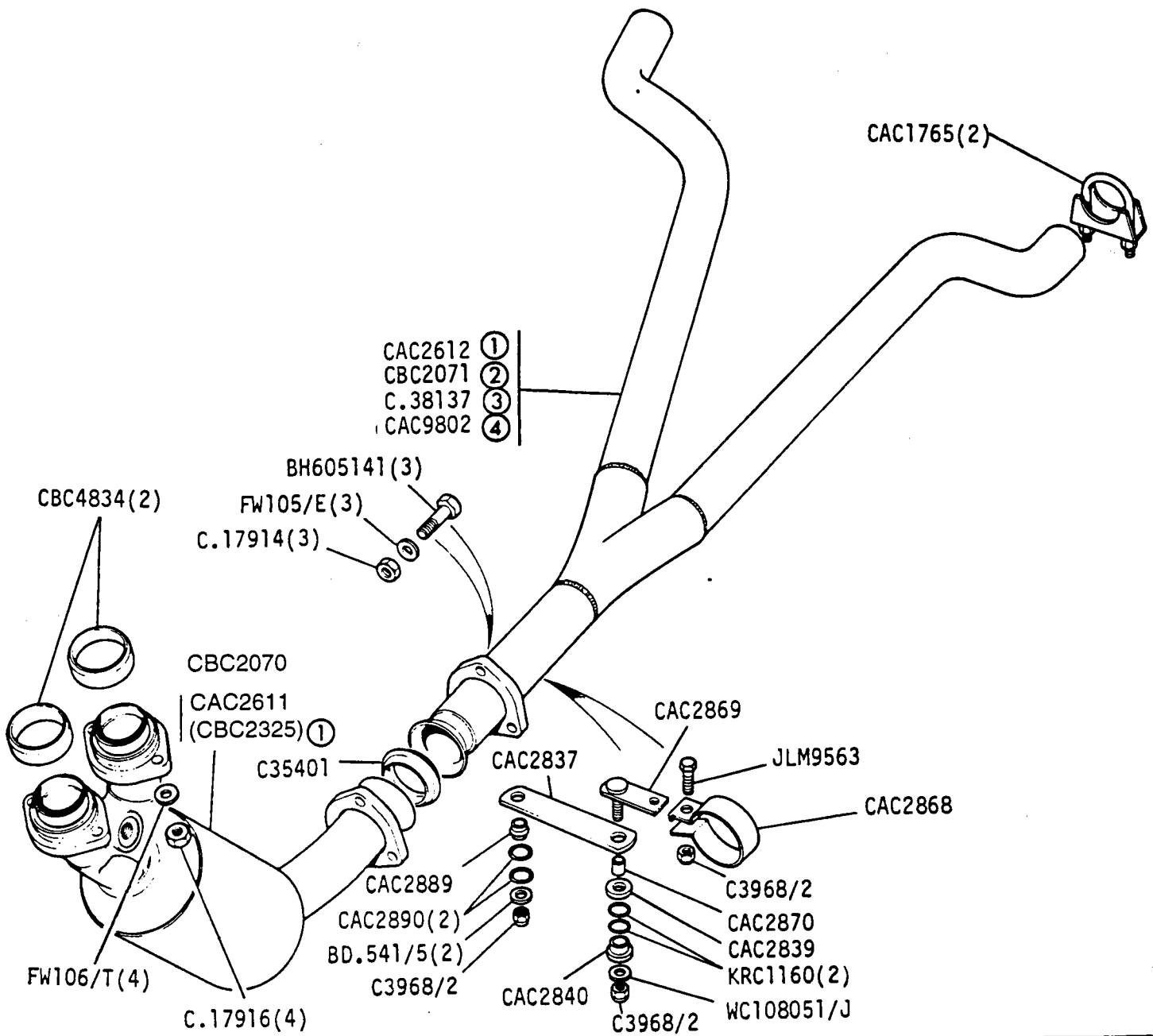


VS1267

Jaguar XJ6 3.4 and 4.2 and Jaguar Sovereign Series 3
Daimler 4.2 and Jaguar Vanden Plas Series 3

1J08R

GROUP H
EXHAUST - Down and Forward Pipes - N/America/Far East/Panama



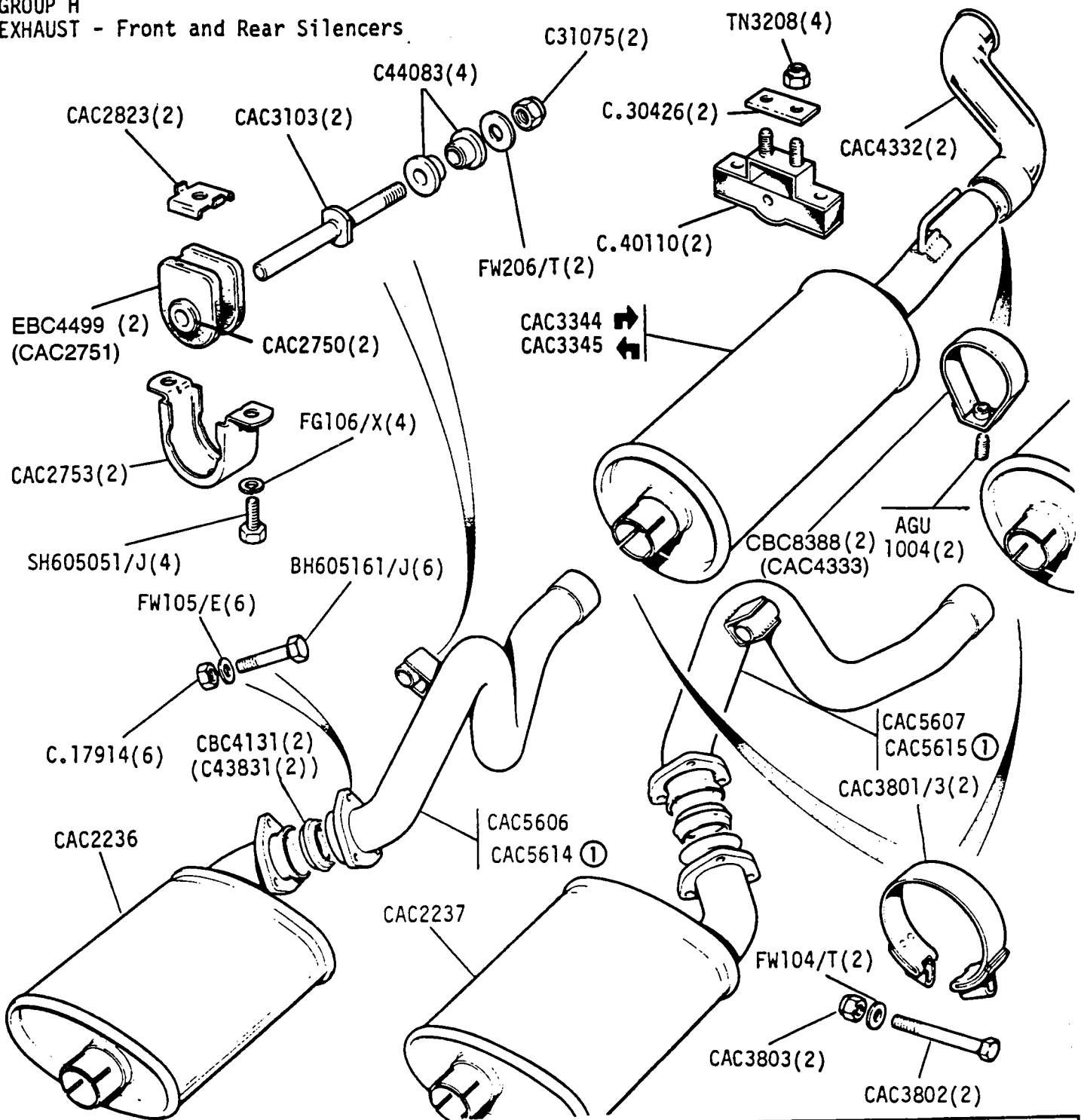
- ① Japan
- ② N/America (with catalyst)
- ③ Hong Kong/Singapore/Malaysia/Taiwan/Panama, Australia & Bahamas
- ④ Not Hong Kong/Singapore/Malaysia/Taiwan/Panama, Australia & Bahamas

VS.1575

Jaguar XJ6 3.4 and 4.2 and Jaguar Sovereign Series 3
Daimler 4.2 and Jaguar Vanden Plas Series 3

1J09L

GROUP H
EXHAUST - Front and Rear Silencers



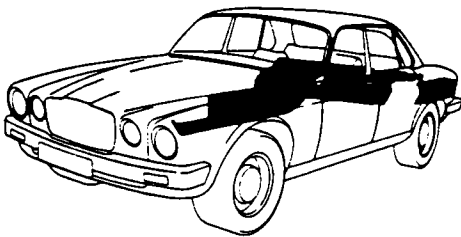
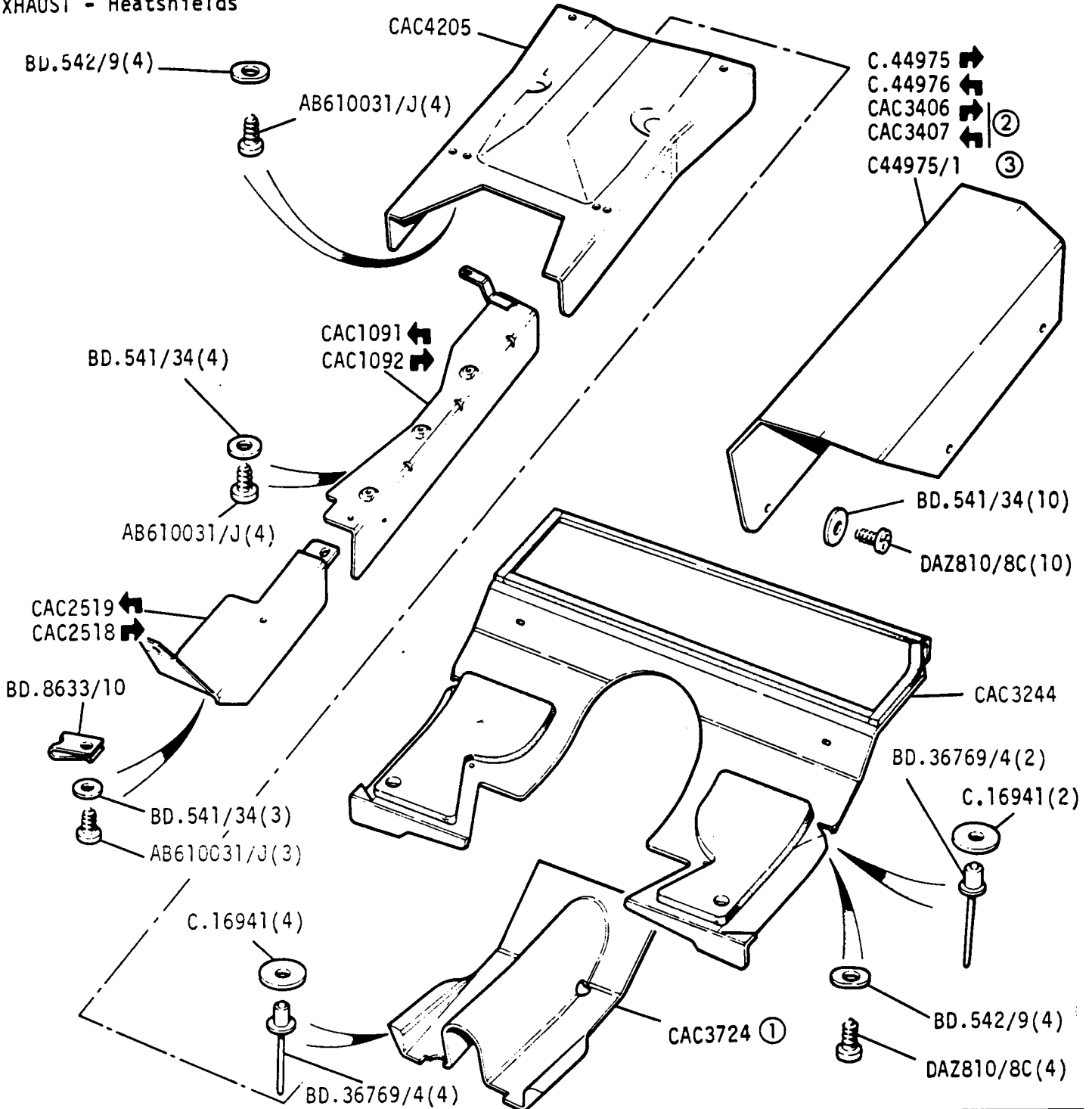
① J. ONLY

VS1078

Jaguar XJ6 3.4, 4.2 and Jaguar Sovereign Series 3
Daimler 4.2 and Jaguar Vanden Plas Series 3

1J09R

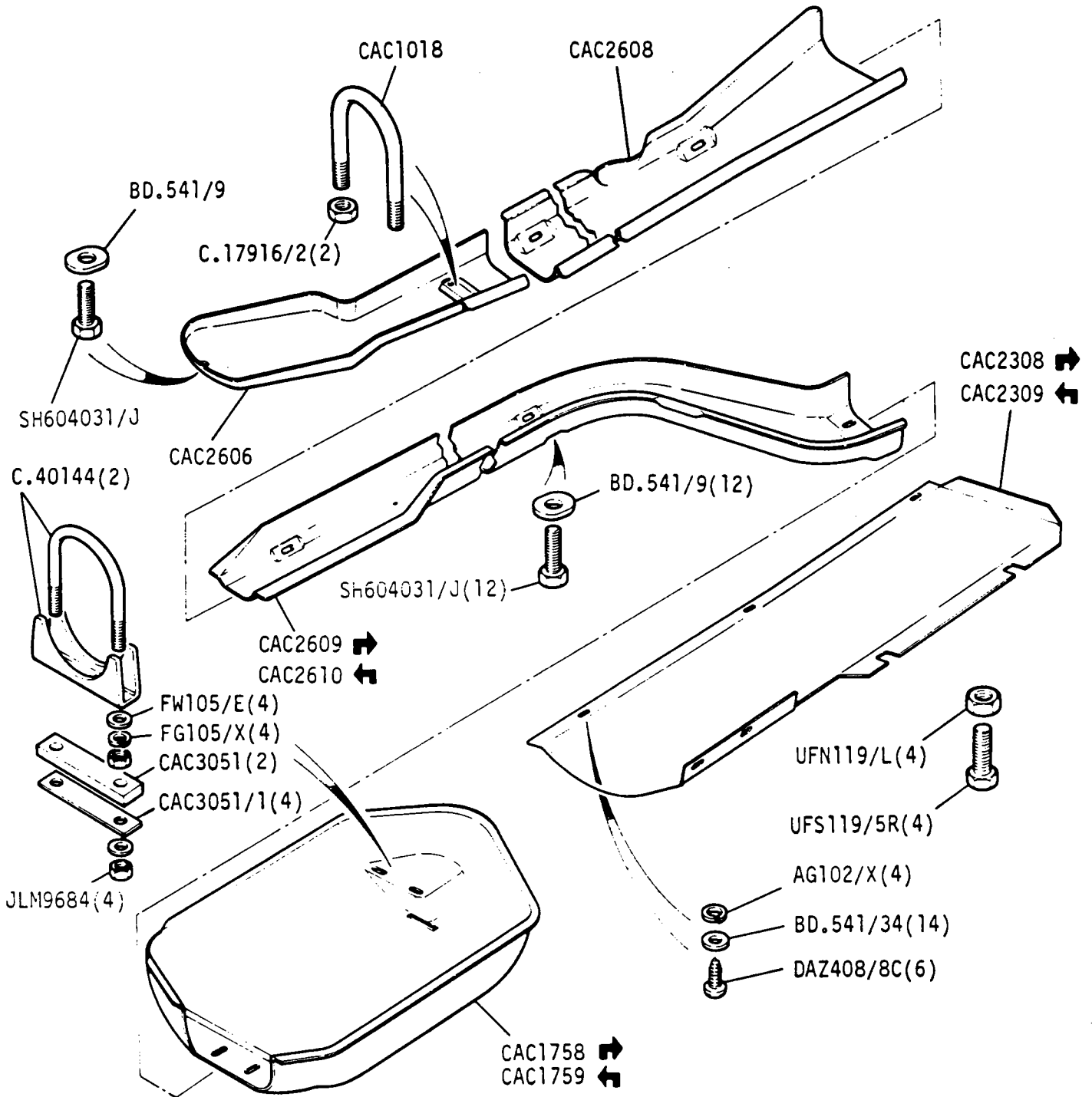
GROUP H
EXHAUST - Heatshields



- ① CDN/USA/J
- ② J Only
- ③ Germany

VS1629

GROUP H
EXHAUST - Grass Heatshields - J only

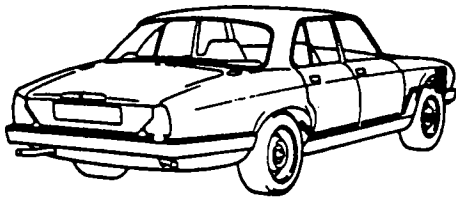
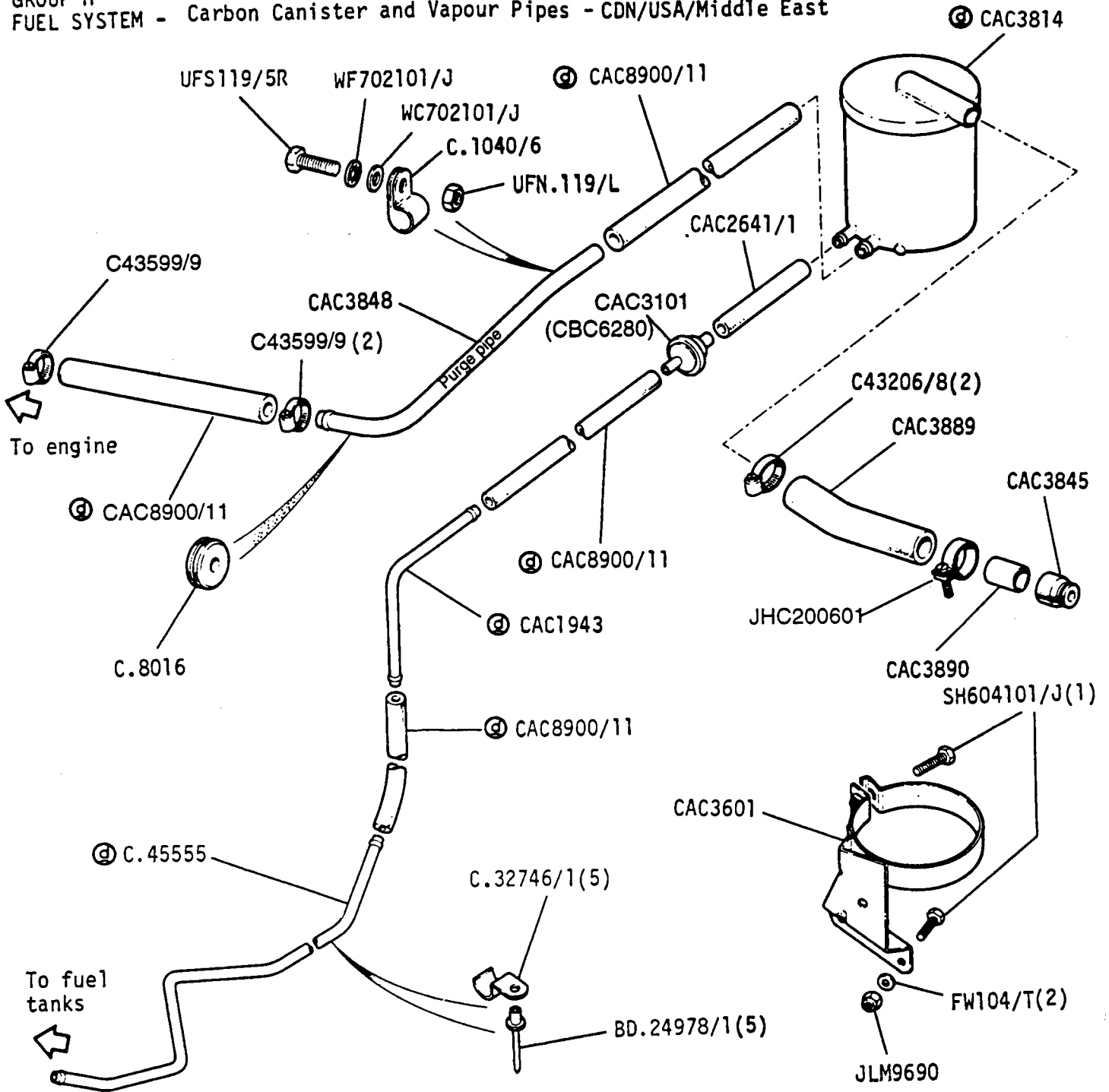


VS1612

Jaguar XJ6 3.4 and 4.2 and Jaguar Sovereign Series 3
Daimler 4.2 and Jaguar Vanden Plas Series 3

1J10R

GROUP H
FUEL SYSTEM - Carbon Canister and Vapour Pipes - CDN/USA/Middle East

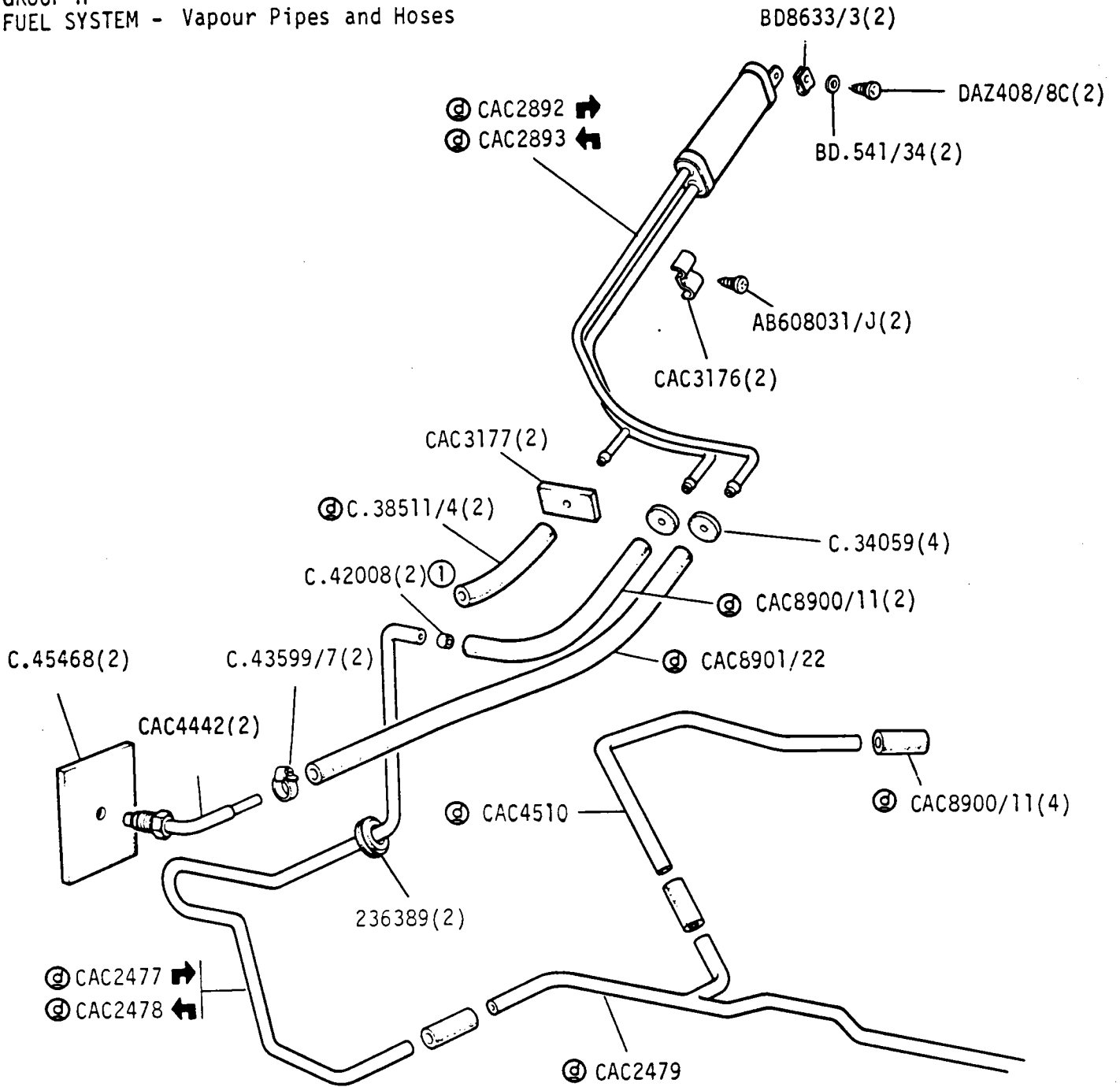


VS2018

Jaguar XJ6 3.4 and 4.2 and Jaguar Sovereign Series 3
Daimler 4.2 and Jaguar Vanden Plas Series 3

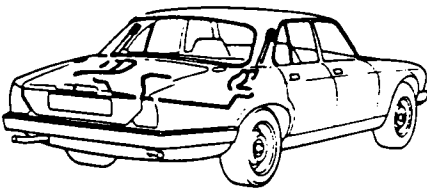
1J11L

GROUP H
 FUEL SYSTEM - Vapour Pipes and Hoses



① If required

VS1541



Jaguar XJ6 3.4 and 4.2 and Jaguar Sovereign Series 3
 Daimler 4.2 and Jaguar Vanden Plas Series 3

1J11R