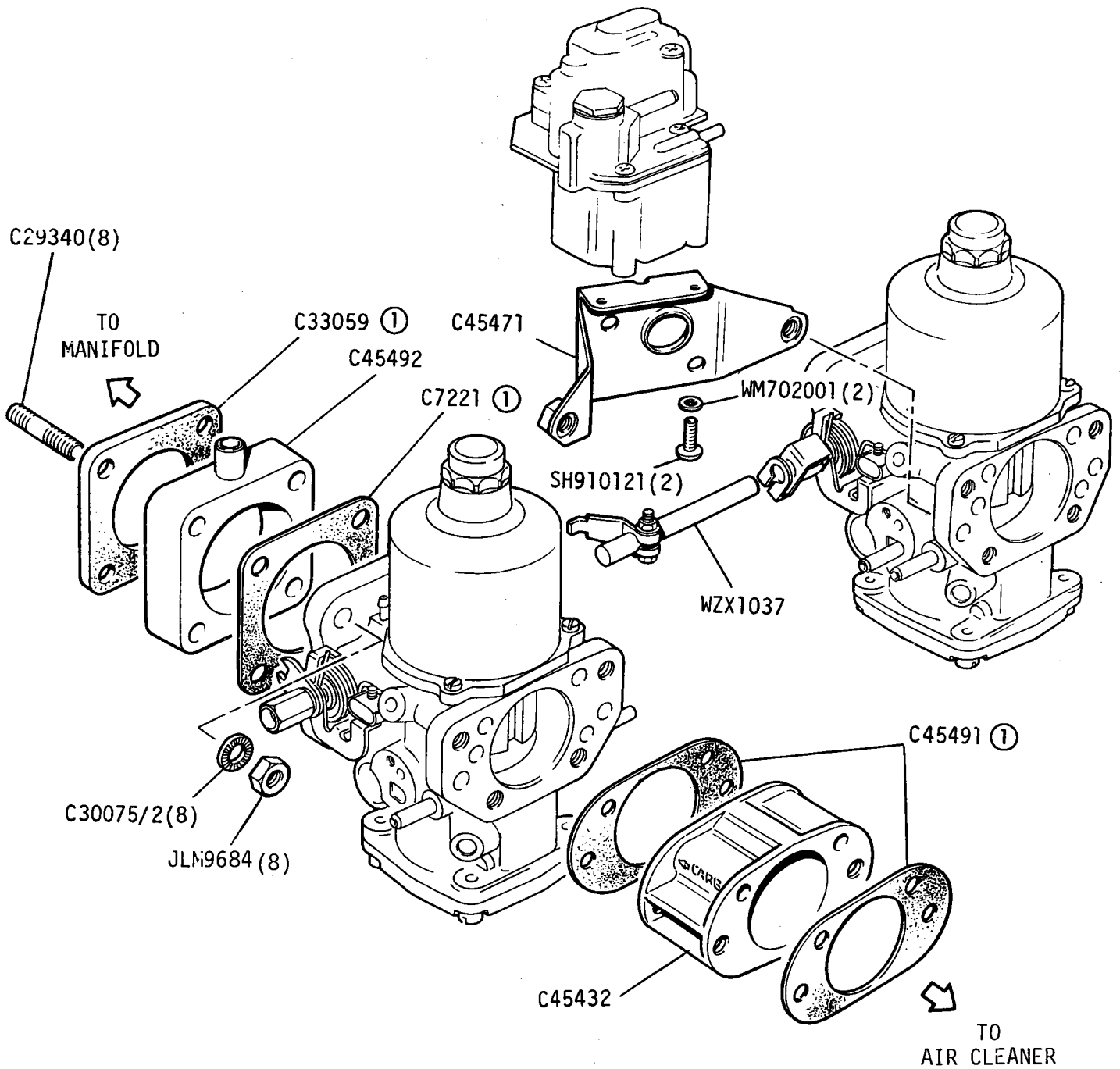


GROUP H  
 FUEL/EXHAUST/EMISSION - Carburettor Mounting and Gaskets (3.4 litre)



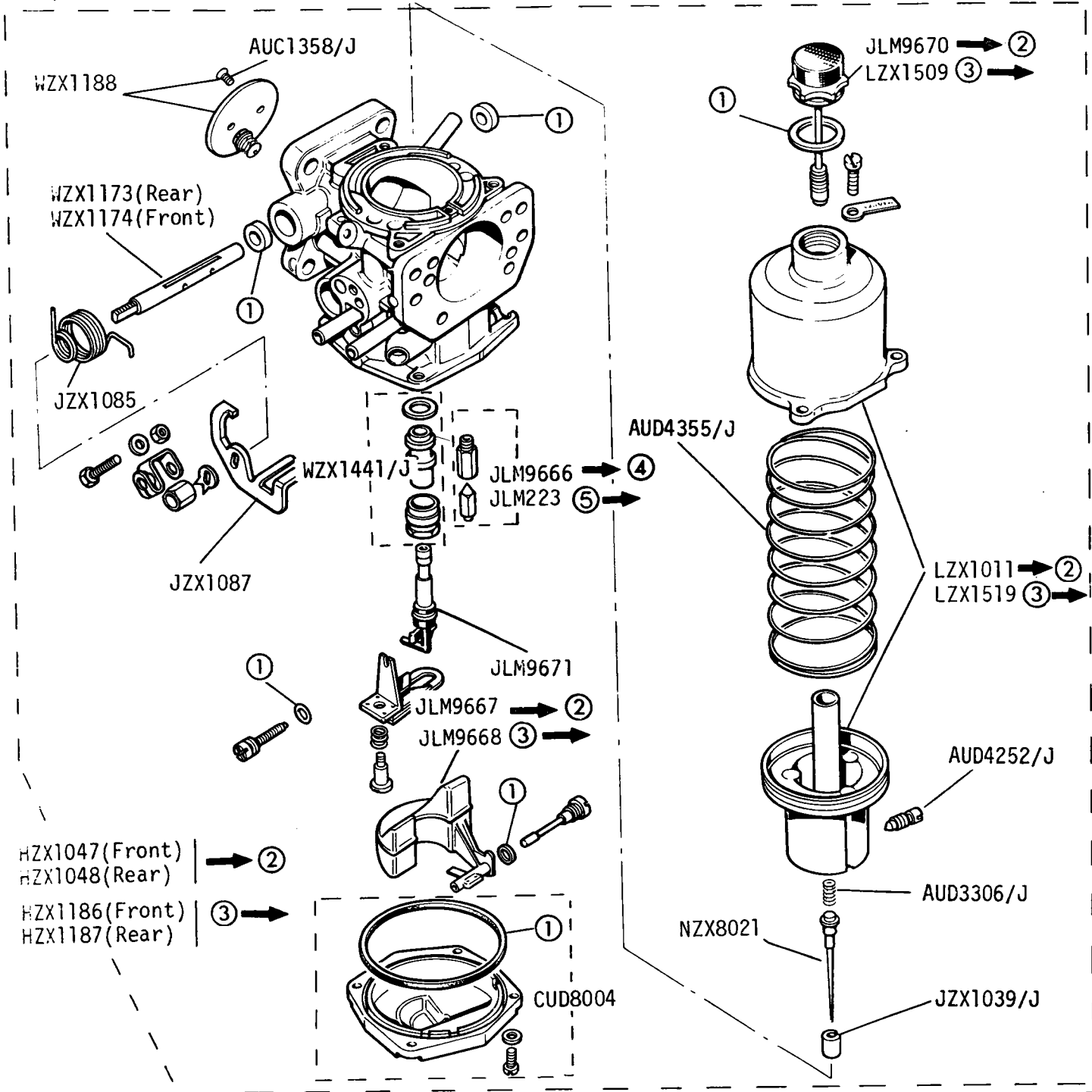
① Part of JLM9531 Gasket Kit

Jaguar XJ6 Series 3  
 Daimler Sovereign Series 3

1J 02L

VS3609

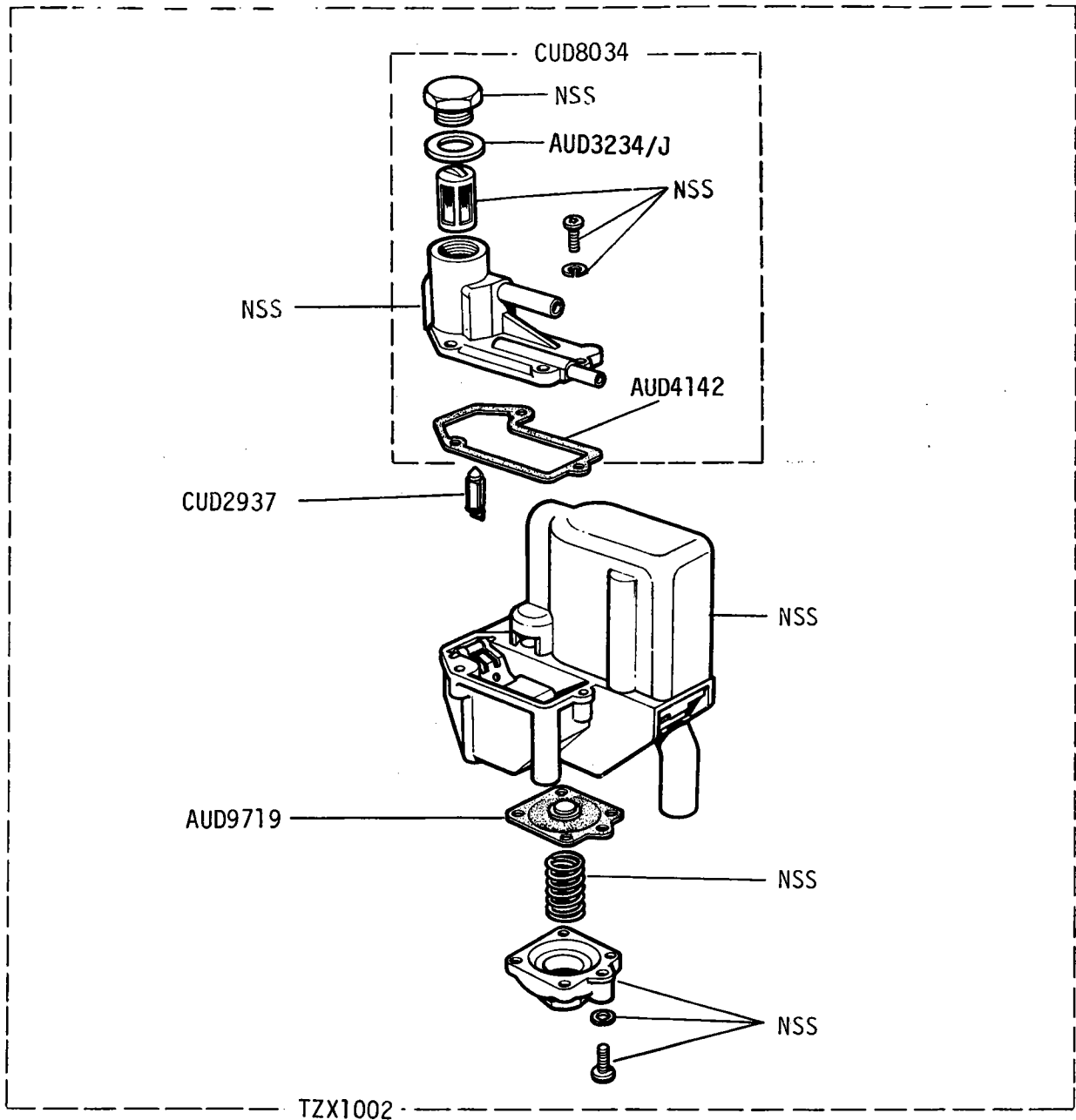
GROUP H  
 FUEL/EXHAUST/EMISSION - Carburettors (3.4 LITRE)



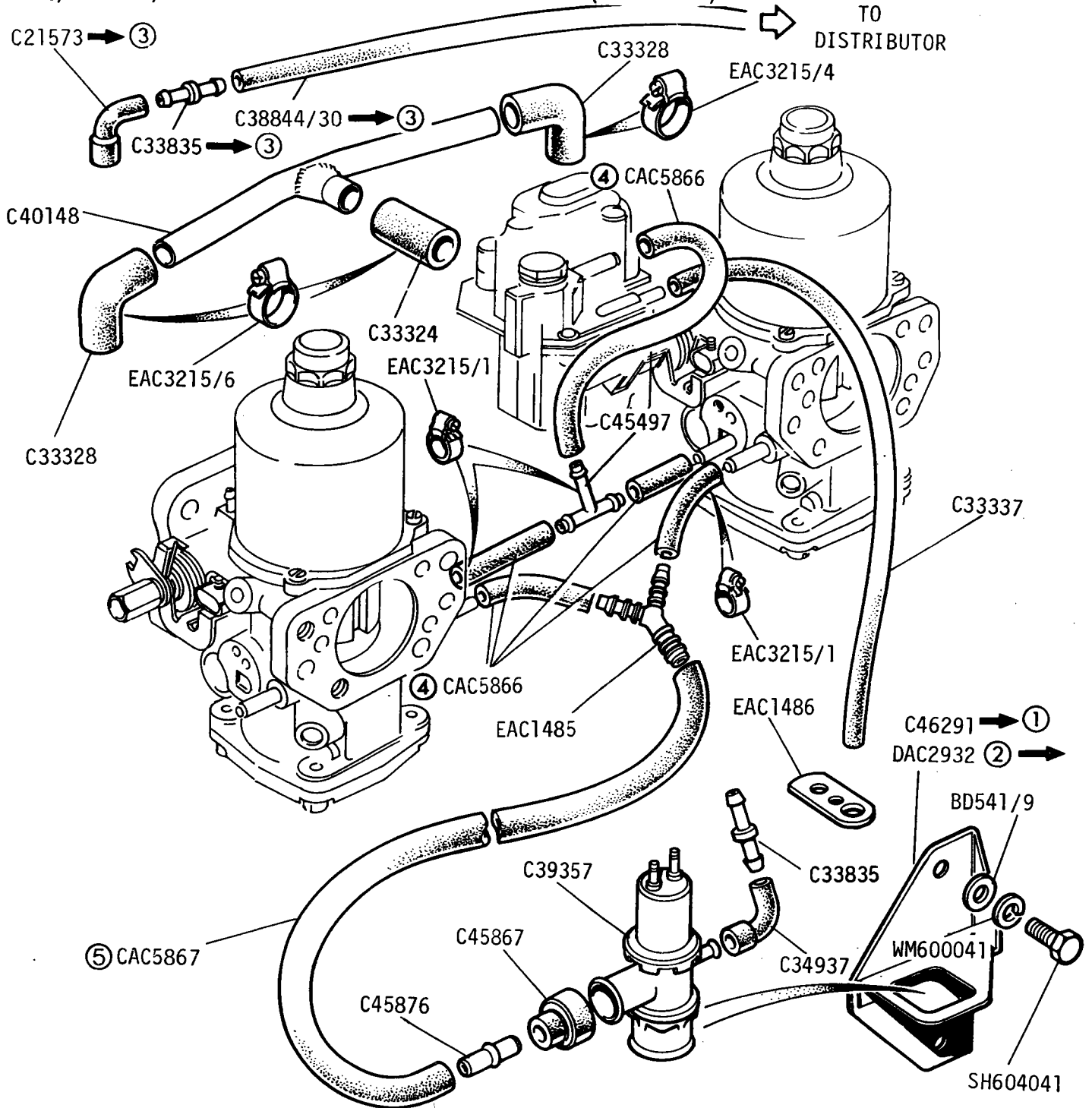
- ① Part of JLM9627 Gasket Pack
- ② Engine No 8A11508
- ③ Engine No 8A11509
- ④ VIN379544
- ⑤ VIN379545

Jaguar XJ6 series 3  
 Daimler Sovereign series 3

GROUP H  
FUEL/EXHAUST/EMISSION - AED Unit (3.4 litre)



GROUP H  
 FUEL/EXHAUST/EMISSION - Carb Hoses and ARO Valve (3.4 litre)



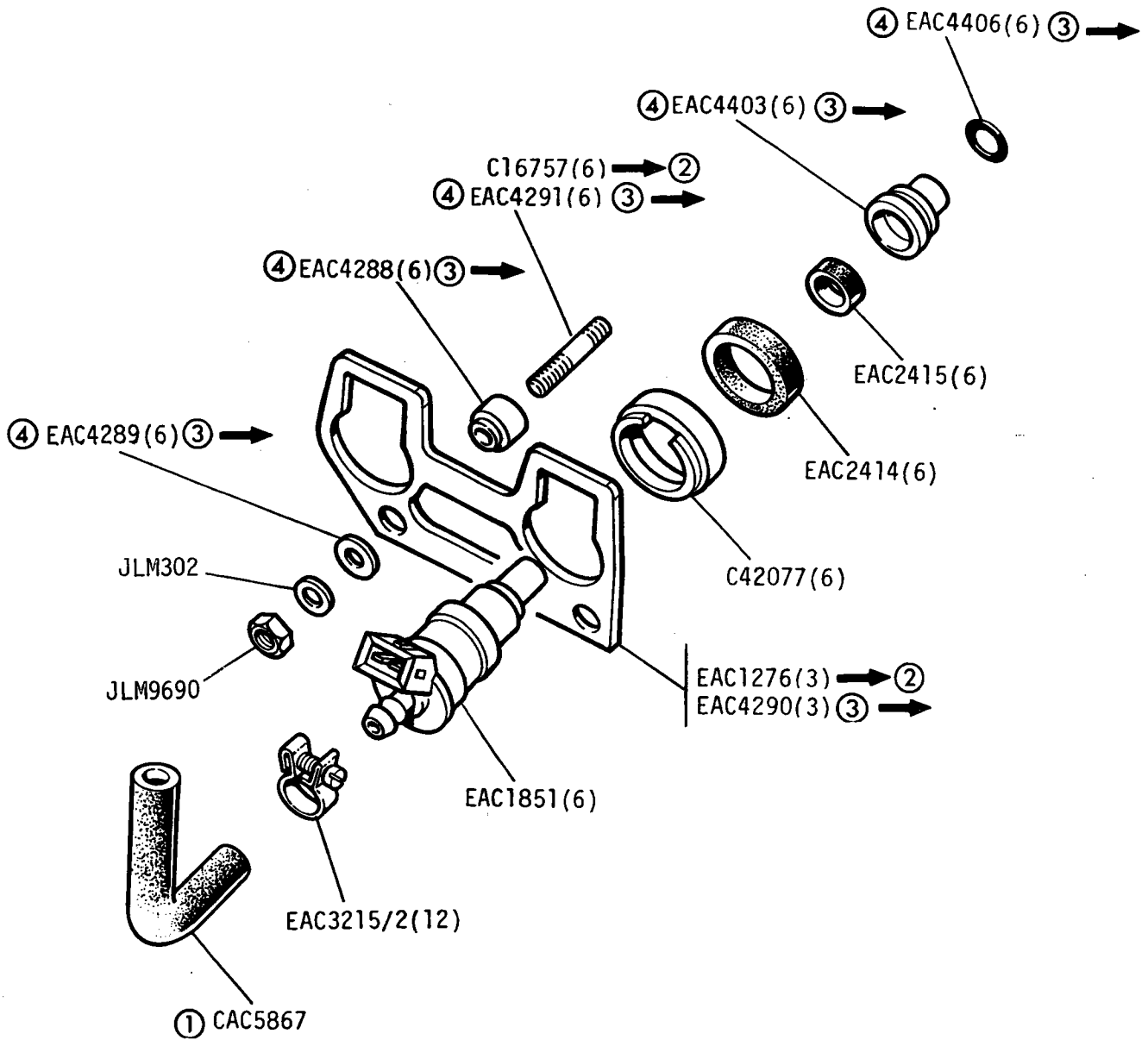
- ① VIN331345
- ② VIN331346
- ③ VIN337123 ( → 1K 12 for future details)
- ④ 7/32" Bore Hose (Supplied in 1 metre lengths)
- ⑤ 9/32" Bore Hose (Supplied in 1 metre lengths)

Jaguar XJ6 series 3  
 Daimler Sovereign series 3

1j 03R

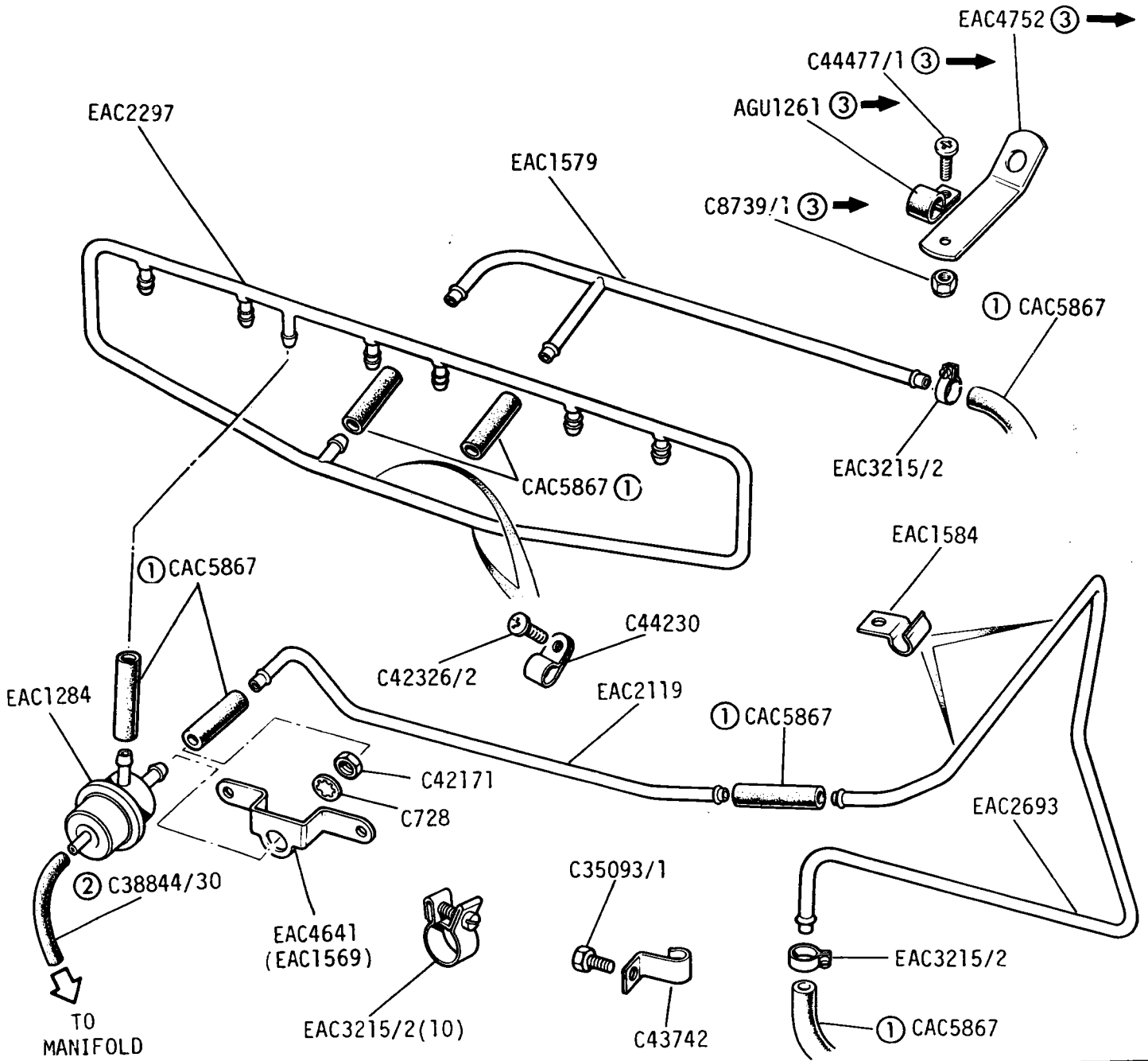
VS3618

GROUP H  
 FUEL/EXHAUST/EMISSION - Fuel Injectors (4.2 Litre)



- ① Supplied in 1 Metre lengths
- ② VIN330272
- ③ VIN330273
- ④ Part of RTC2771 Heat Insulation Kit

GROUP H  
 FUEL/EXHAUST/EMISSION - Fuel Rail and Pressure Regulator (4.2 Litre)  
 Fitted up to Engine No.8L139876 only

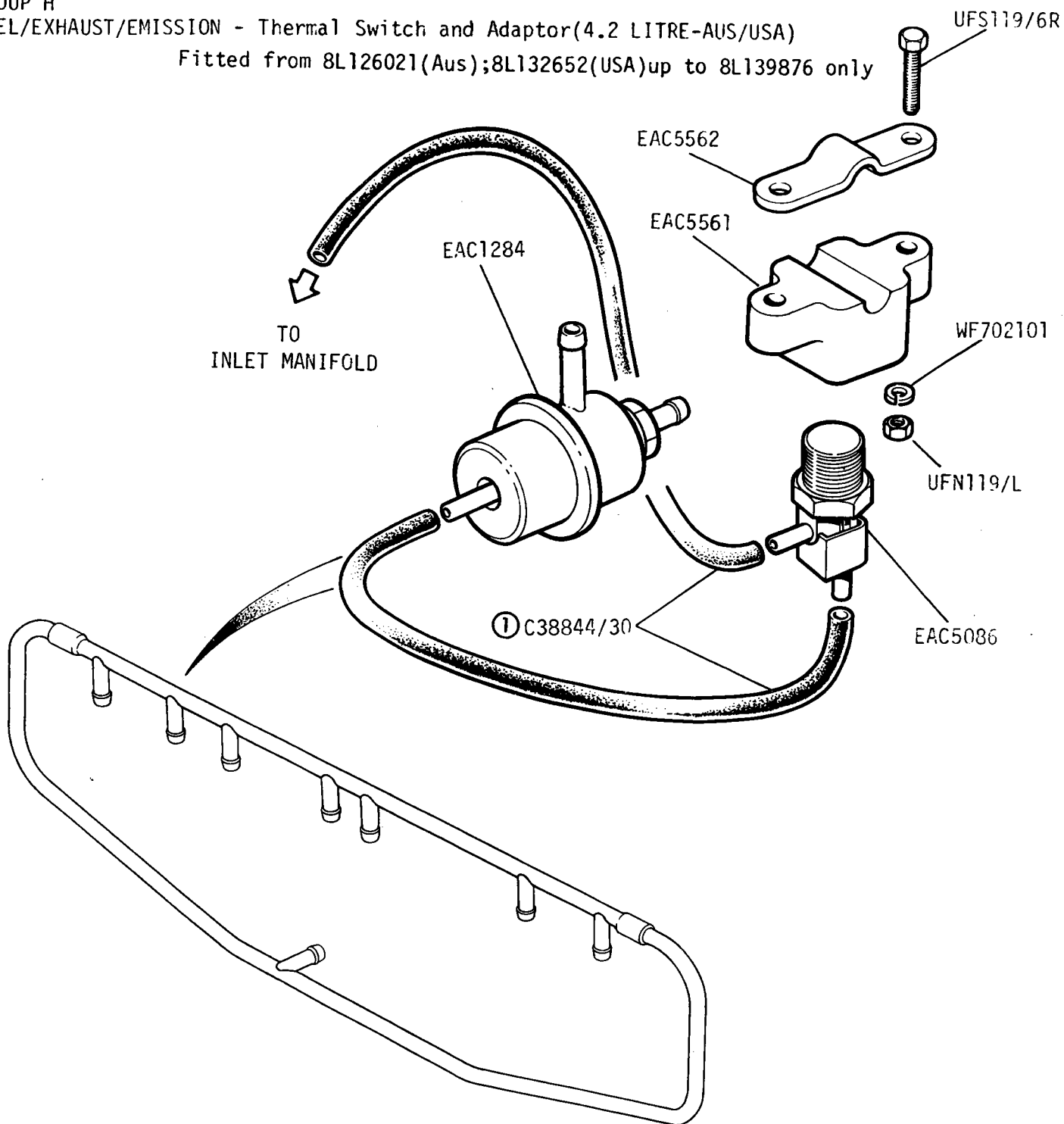


- ① Supplied 1 Metre lengths
- ② Supplied in 63 inch lengths
- ③ VIN330273

GROUP H

FUEL/EXHAUST/EMISSION - Thermal Switch and Adaptor(4.2 LITRE-AUS/USA)

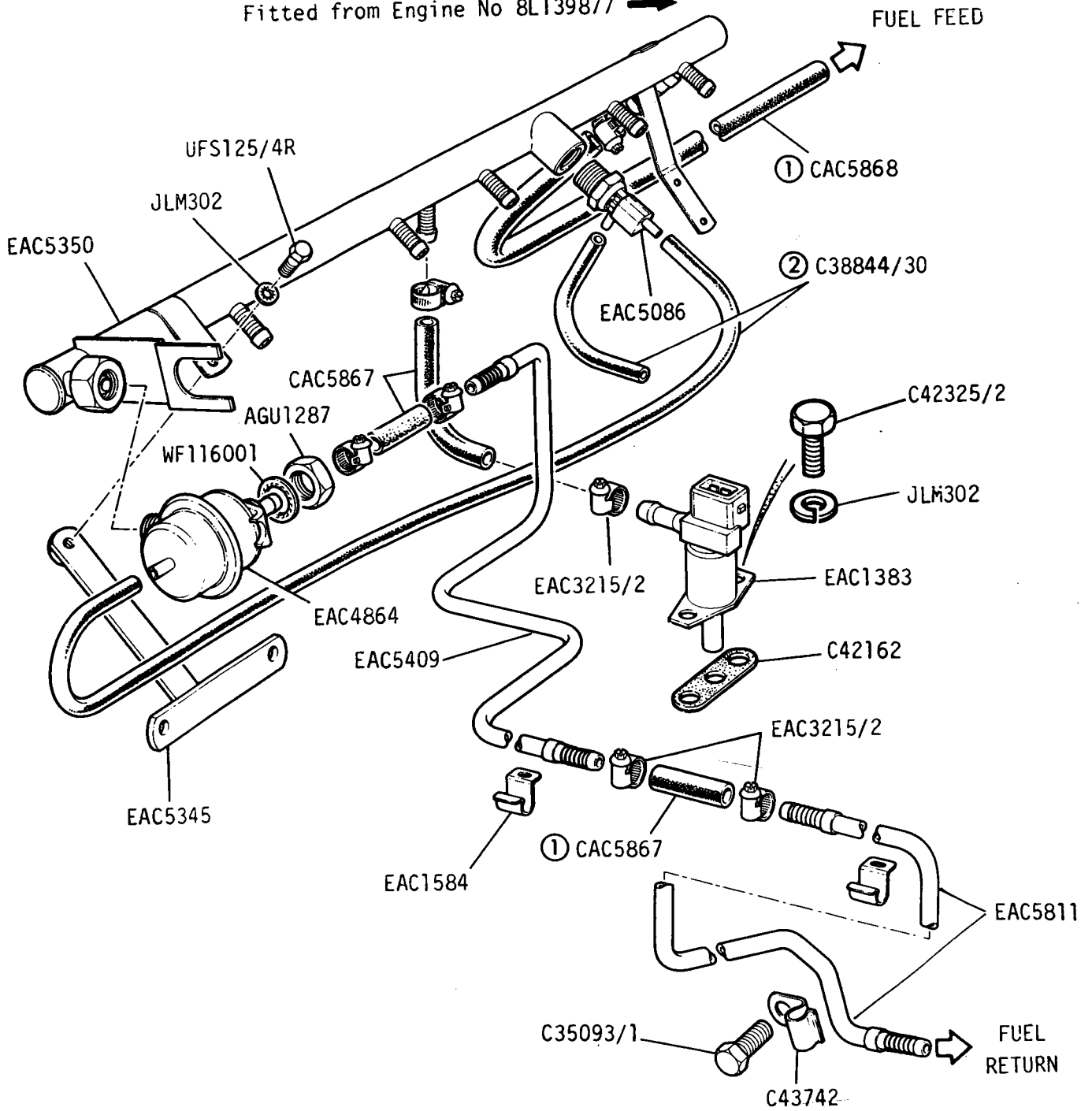
Fitted from 8L126021(Aus);8L132652(USA)up to 8L139876 only



① C38844/30 Vacuum Hose supplied in 63 inch lengths

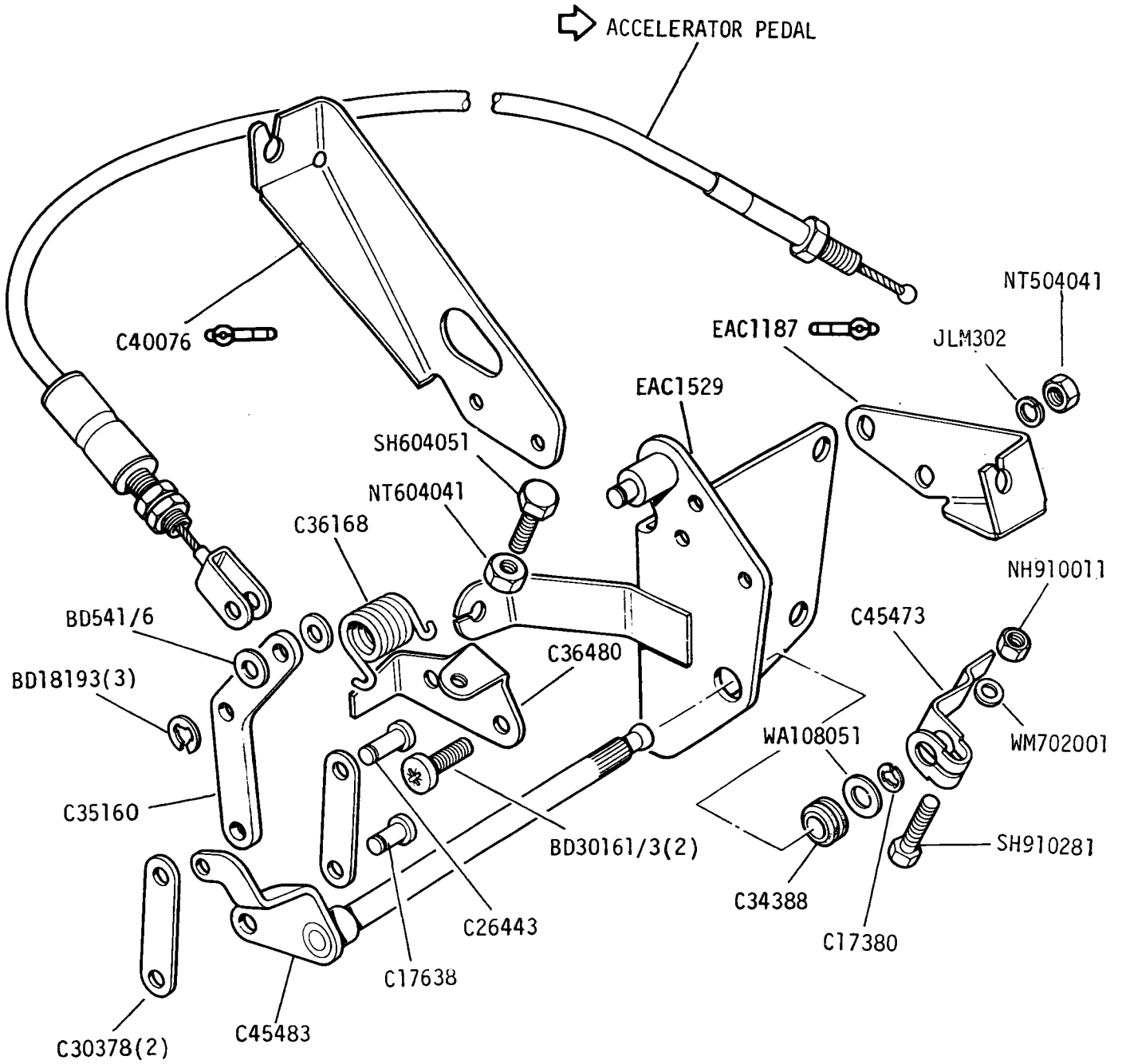
GROUP H  
 FUEL/EXHAUST/EMISSION - Fuel Rail and Pressure Regulator (4.2 litre)

Fitted from Engine No 8L139877 →

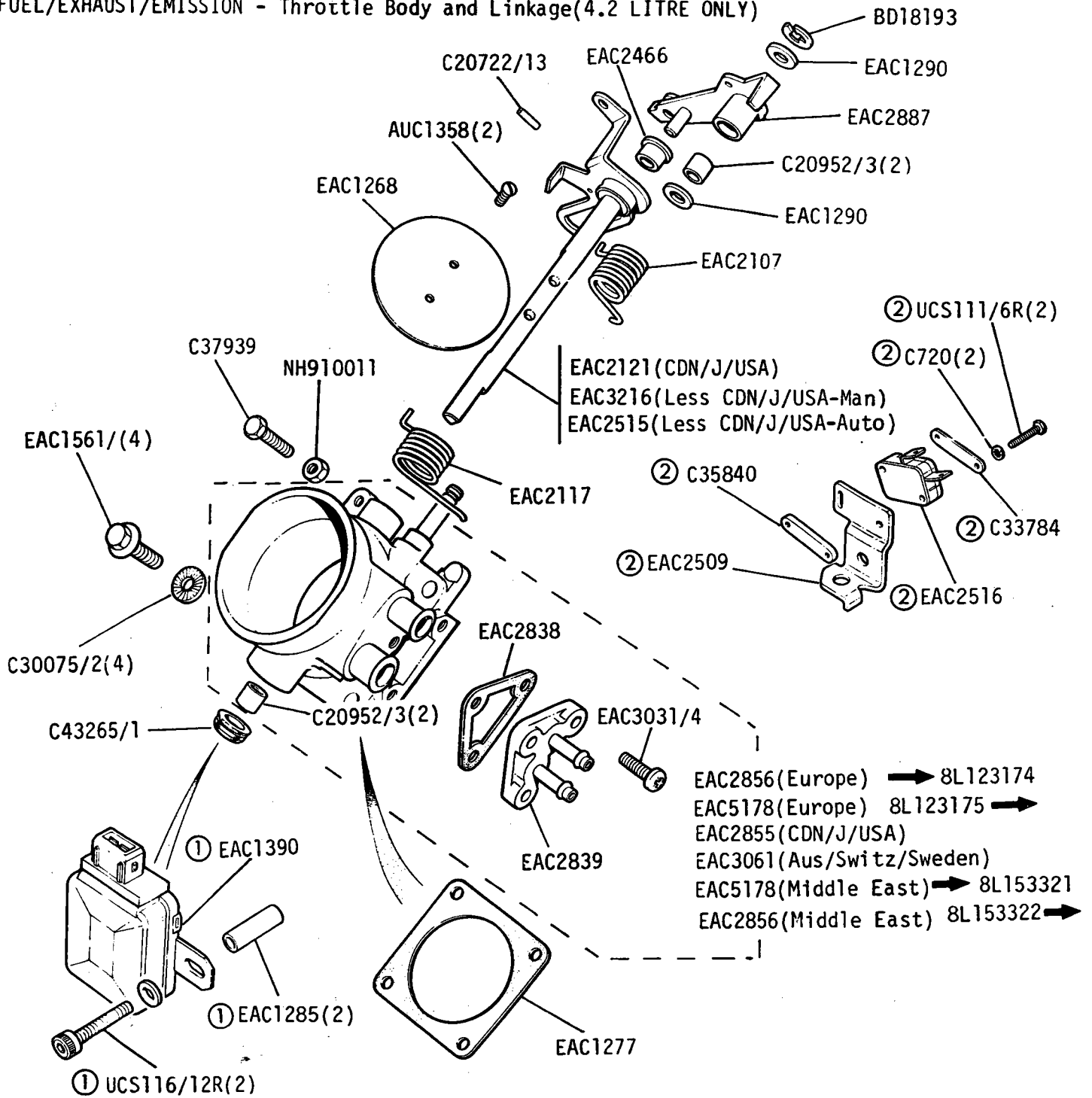


- ① Supplied in 1 Metre lengths
- ② Supplied in 63 inch lengths

GROUP H  
 FUEL/EXHAUST/EMISSION - Carburettor Linkage (3.4 litre)

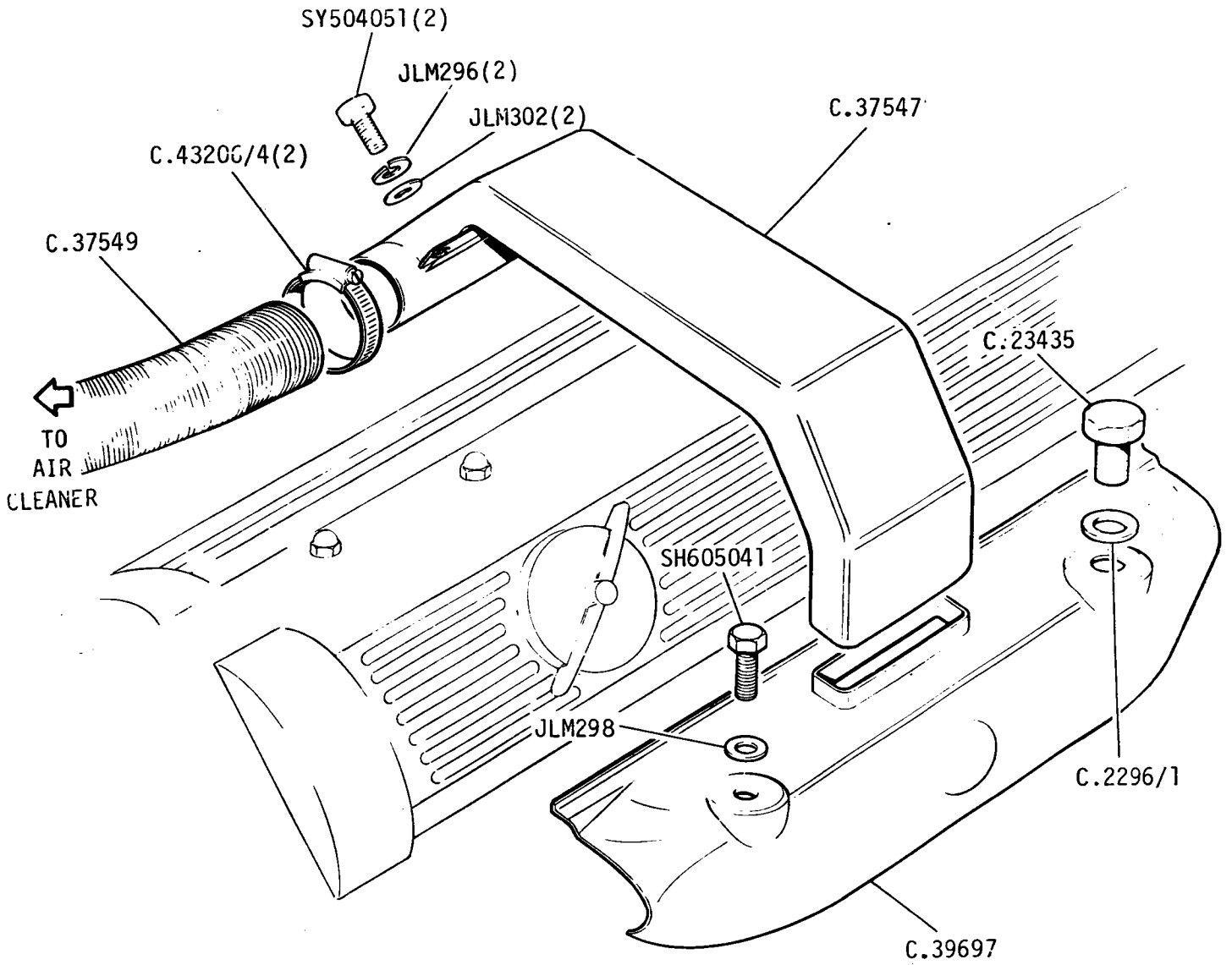


GROUP H  
 FUEL/EXHAUST/EMISSION - Throttle Body and Linkage(4.2 LITRE ONLY)

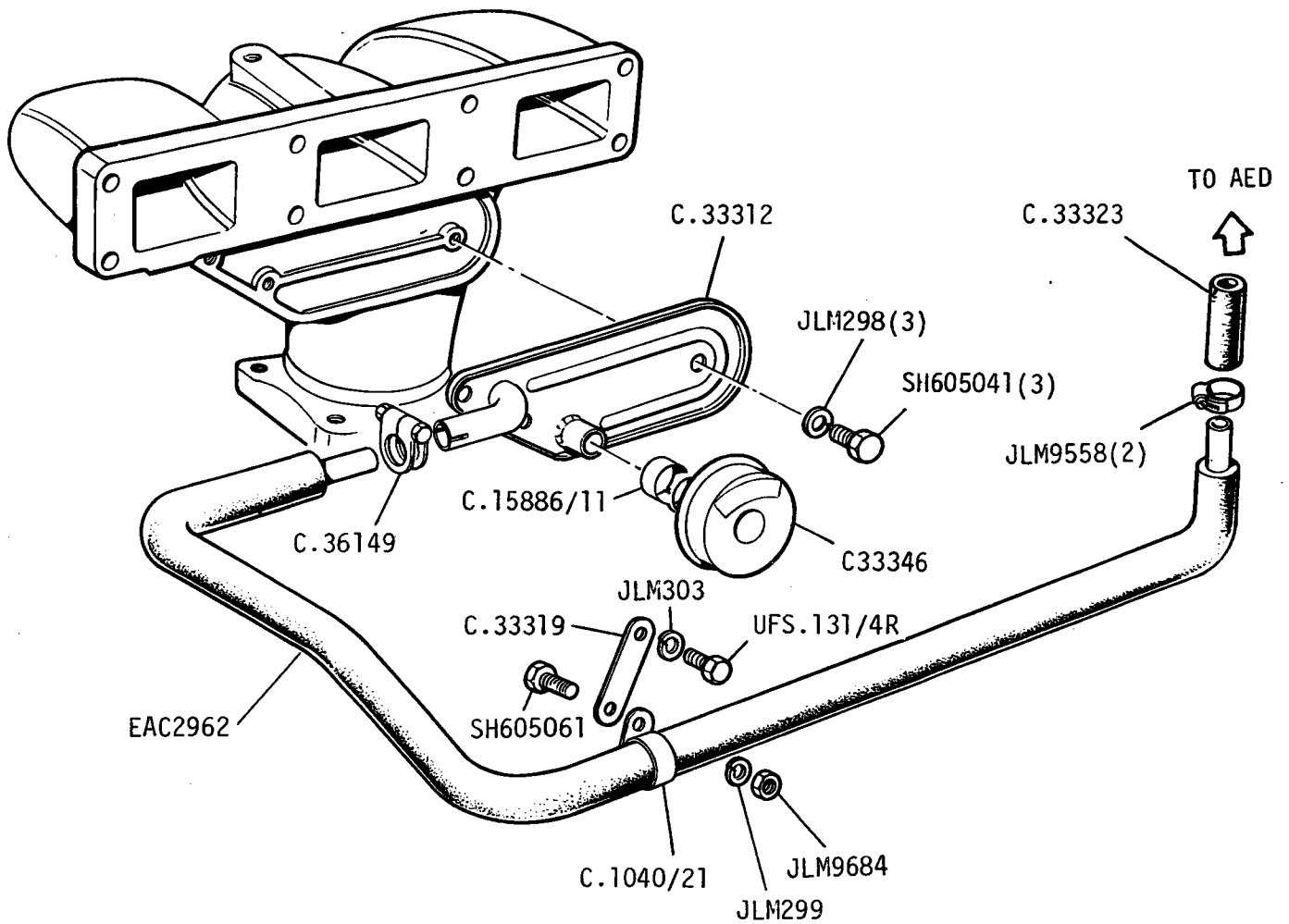


- ① Canada/Japan/USA only
- ② Less Canada/Japan/USA

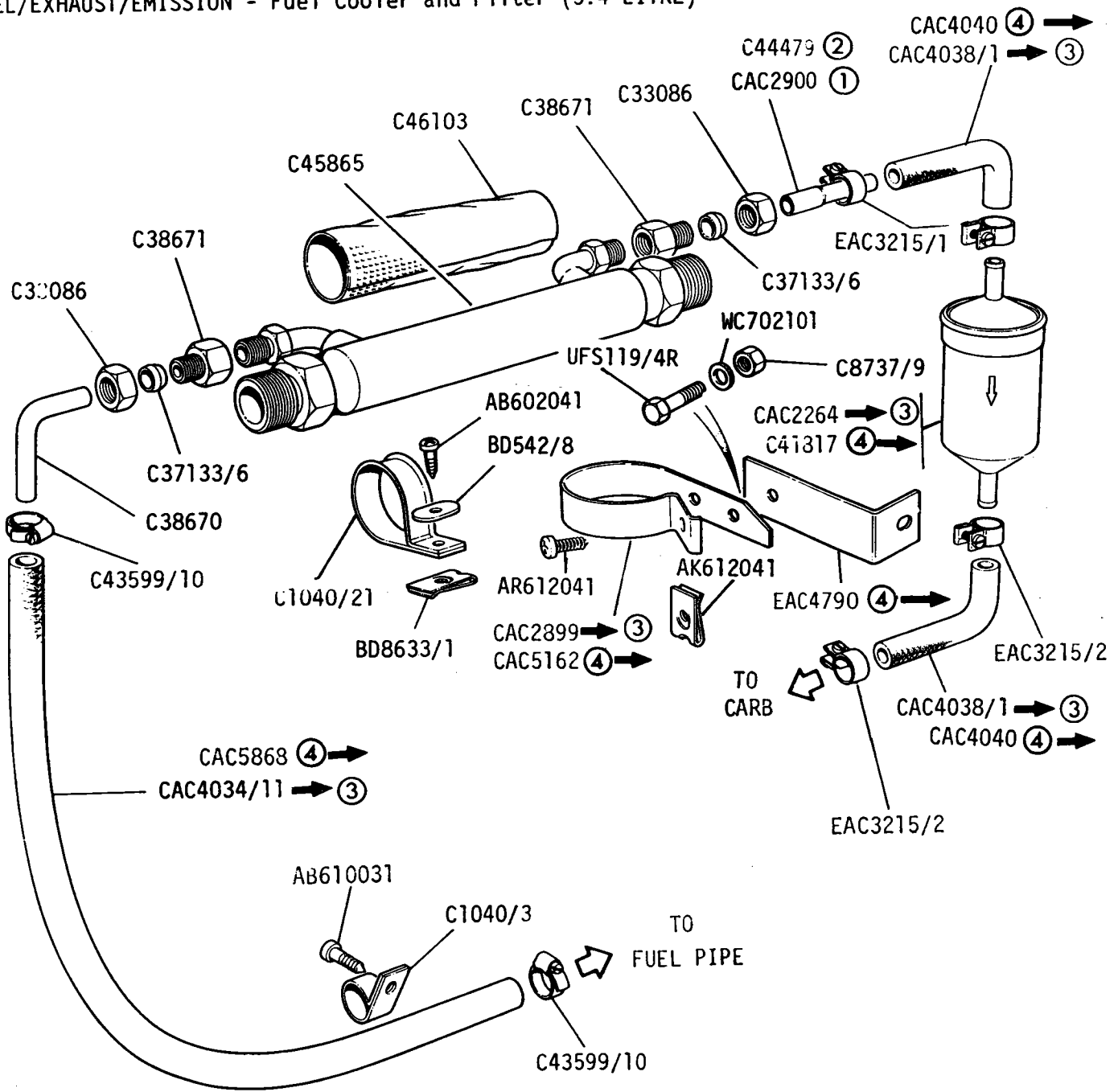
GROUP H  
FUEL/EXHAUST/EMISSION - Hot Air Pick-up and Duct (3.4 litre Only)  
Fitted up to approx.VIN340194(Engines fitted with A.C.Delco Air Cleaner)



GROUP H  
FUEL/EXHAUST/EMISSION - Hot Air Pipe and Filter(3.4 LITRE)

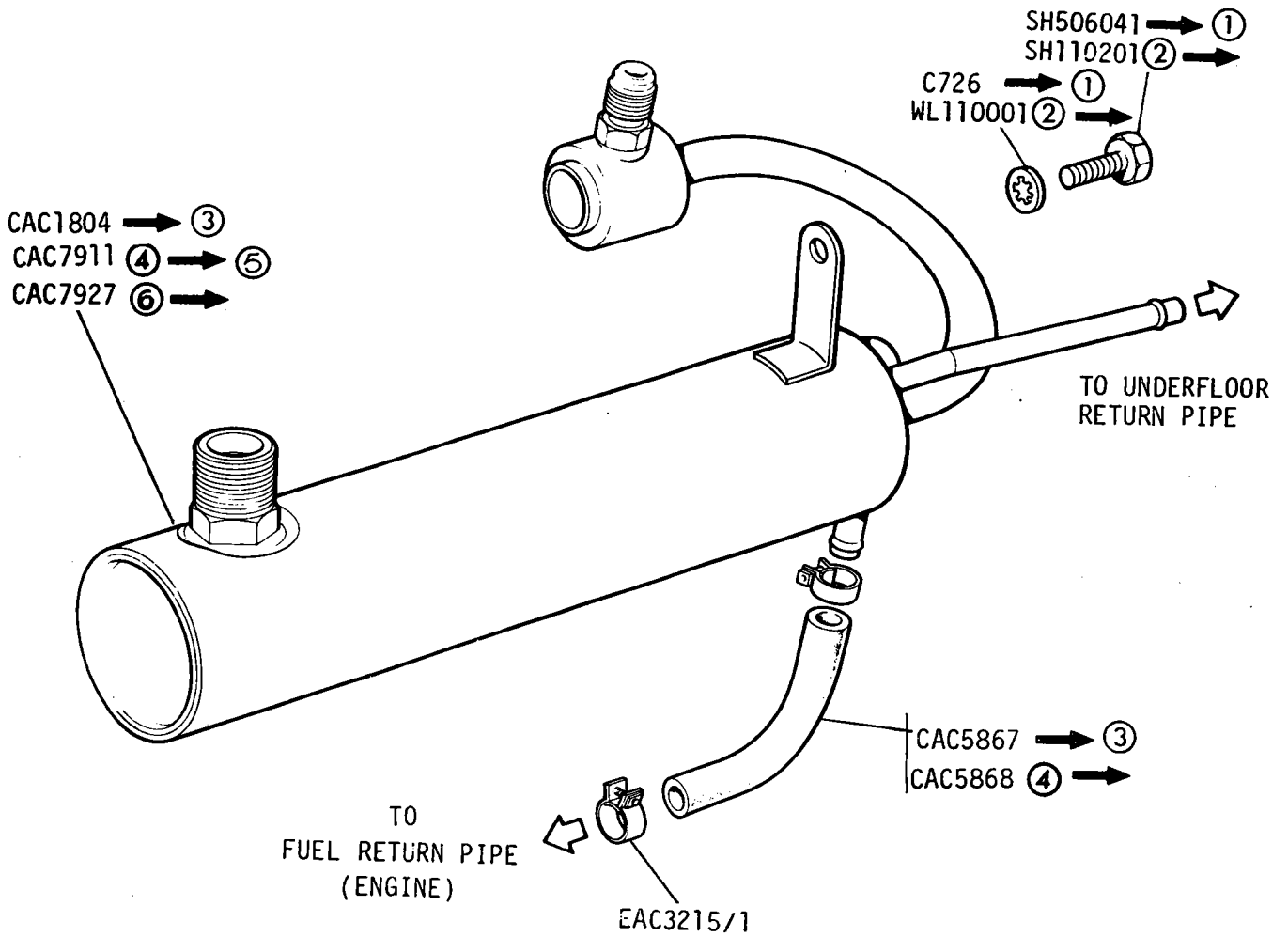


GROUP H  
 FUEL/EXHAUST/EMISSION - Fuel Cooler and Filter (3.4 LITRE)



- ① Vehicles with Fuel Cooler
  - ② Vehicles less Fuel Cooler
  - ③ VIN335015
  - ④ VIN335016
- Jaguar XJ6 series 3  
 Daimler Sovereign series 3
- 1J 08R
- VS1077

GROUP H  
 FUEL/EXHAUST/EMISSION - Fuel Cooler (4.2 litre)



① VIN310723(Imperial)

② VIN310724(Metric)

③ VIN346687

④ VIN346688(1983 M.Y.)

⑤ VIN425205

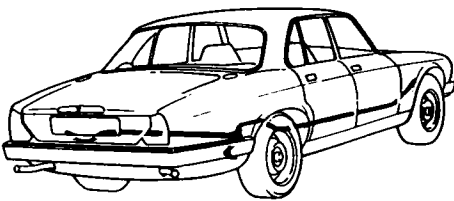
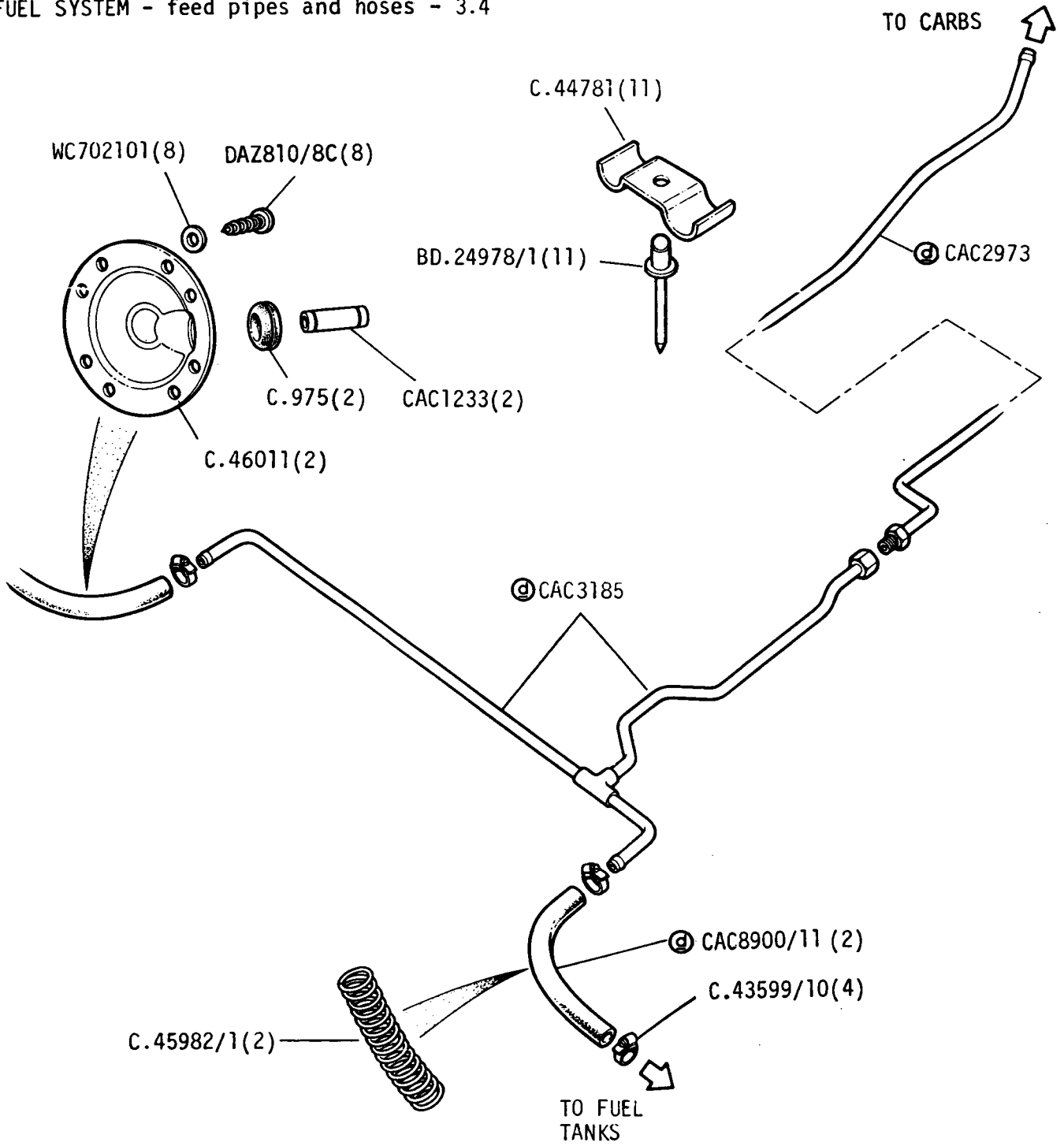
⑥ VIN425206

Jaguar XJ6 series 3  
 Daimler Sovereign series 3

1J 09L

VS.1543

GROUP H  
FUEL SYSTEM - feed pipes and hoses - 3.4

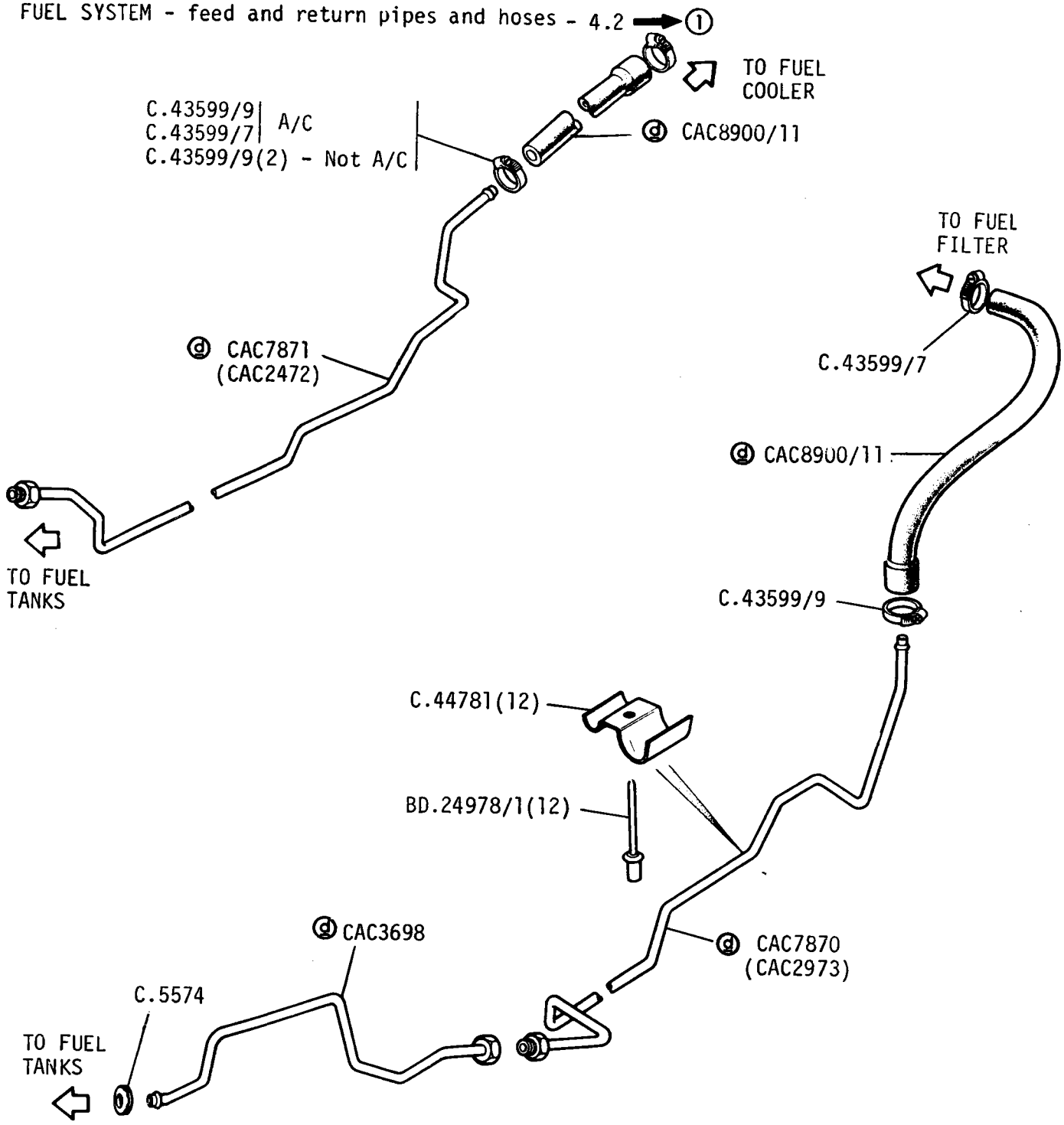


Jaguar XJ6 series 3  
Daimler Sovereign series 3

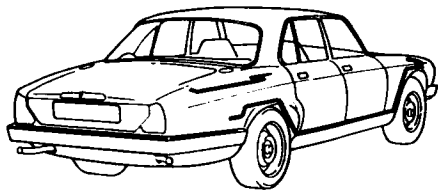
1J 09R

VS.1545

GROUP H  
 FUEL SYSTEM - feed and return pipes and hoses - 4.2



① VIN310612

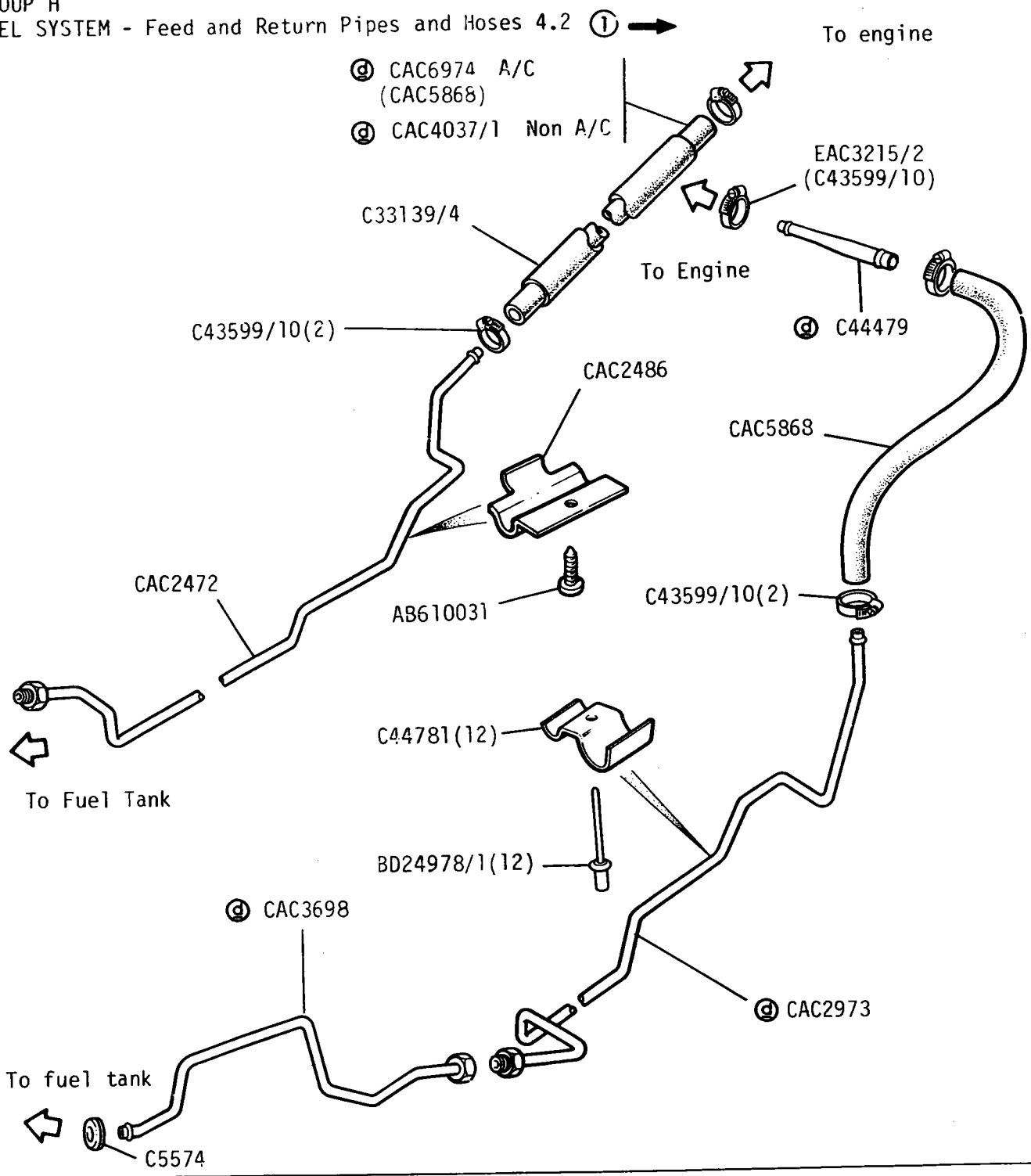


Jaguar XJ6 series 3  
 Daimler Sovereign series 3

IJ 10L

VS.1546

GROUP H  
 FUEL SYSTEM - Feed and Return Pipes and Hoses 4.2 ① →



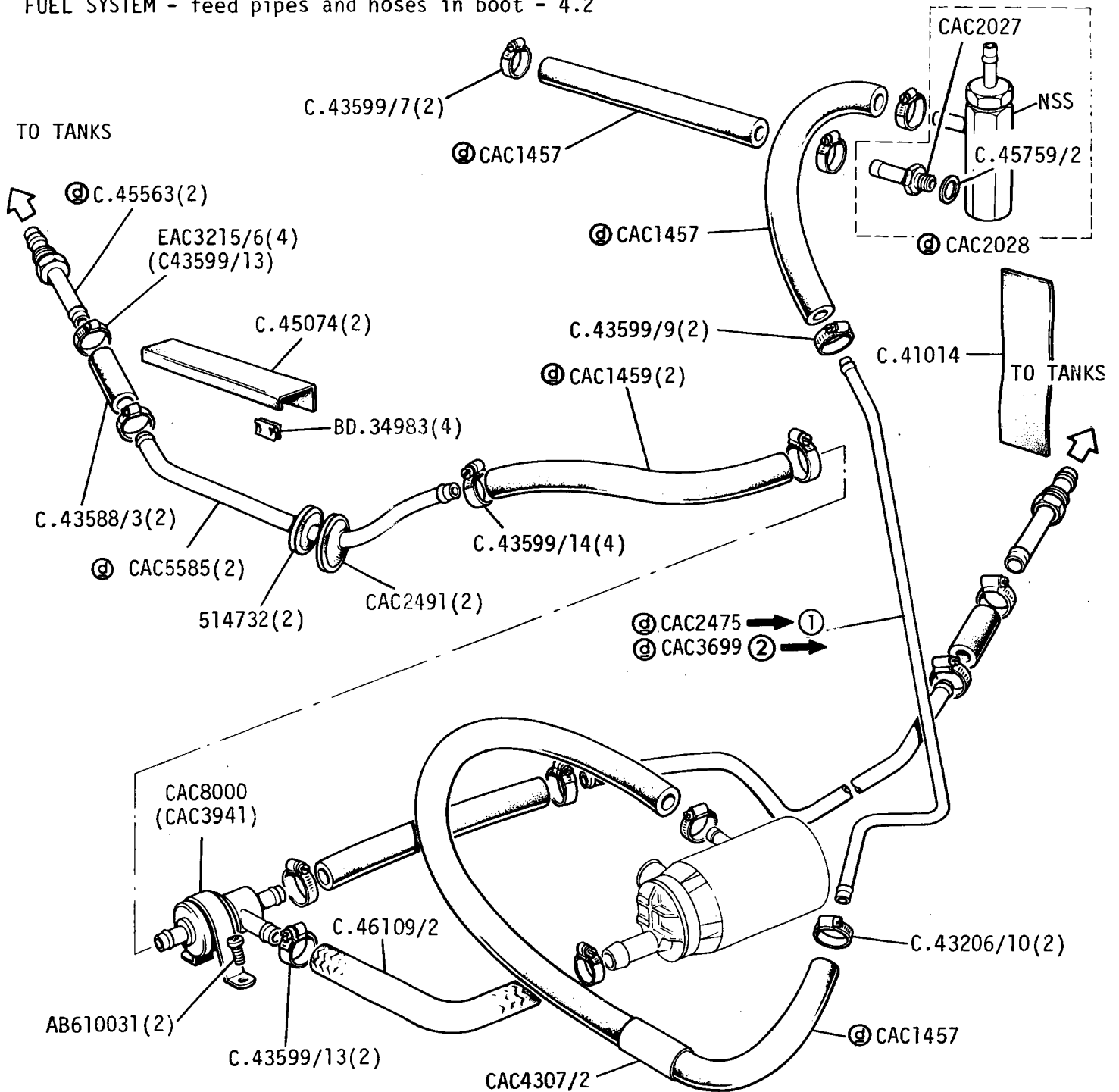
① VIN310613

Jaguar XJ6 Series 3  
 Daimler Sovereign Series 3

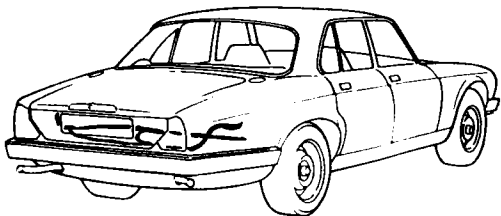
1J 10R

VS2016

GROUP H  
 FUEL SYSTEM - feed pipes and hoses in boot - 4.2



- ① VIN310612
- ② VIN310613

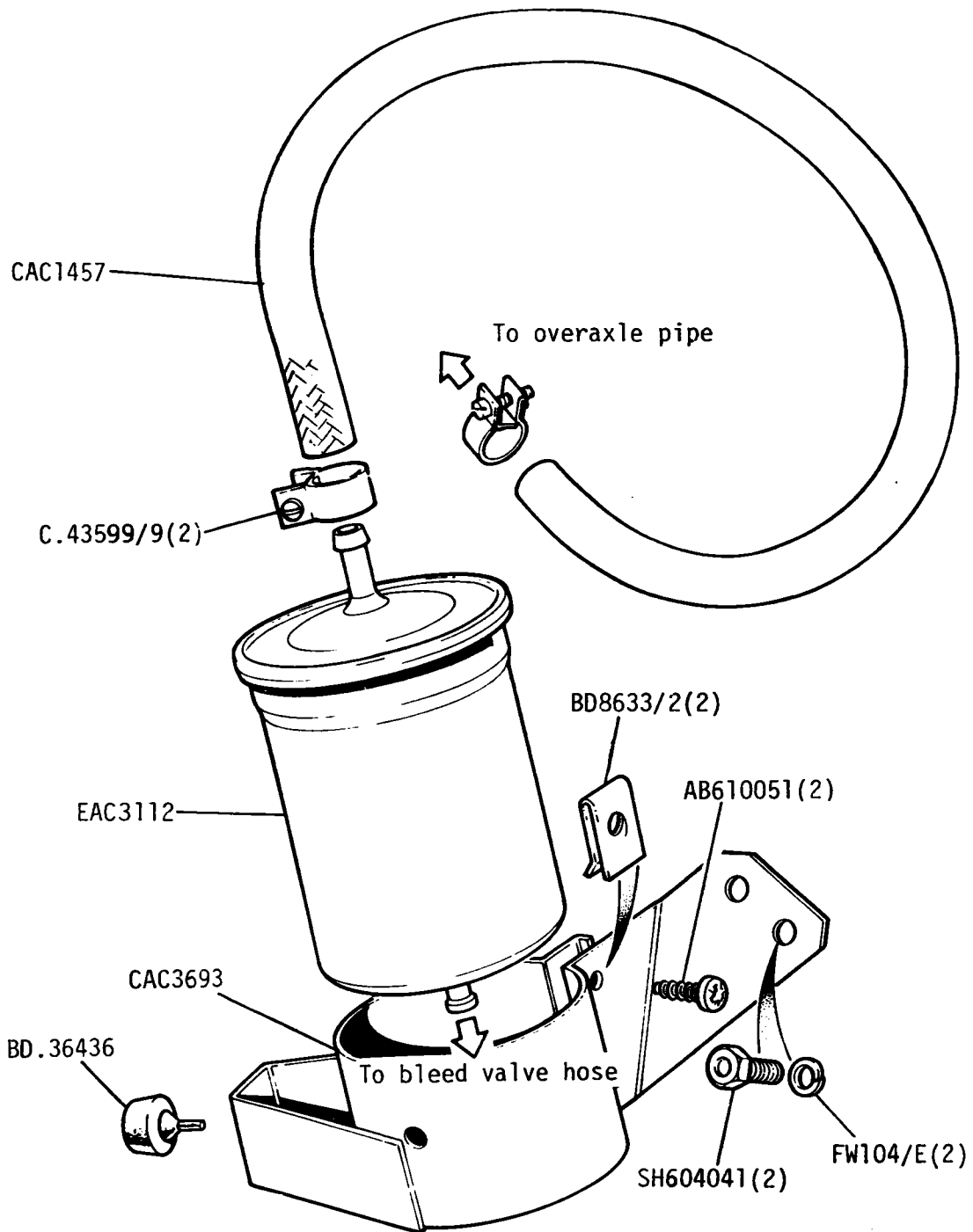


Jaguar XJ6 series 3  
 Daimler Sovereign series 3

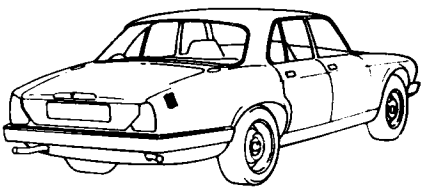
1J 11L

VS.1520

GROUP H  
FUEL SYSTEM - filter and mounting (in boot) ① →



① VIN310613

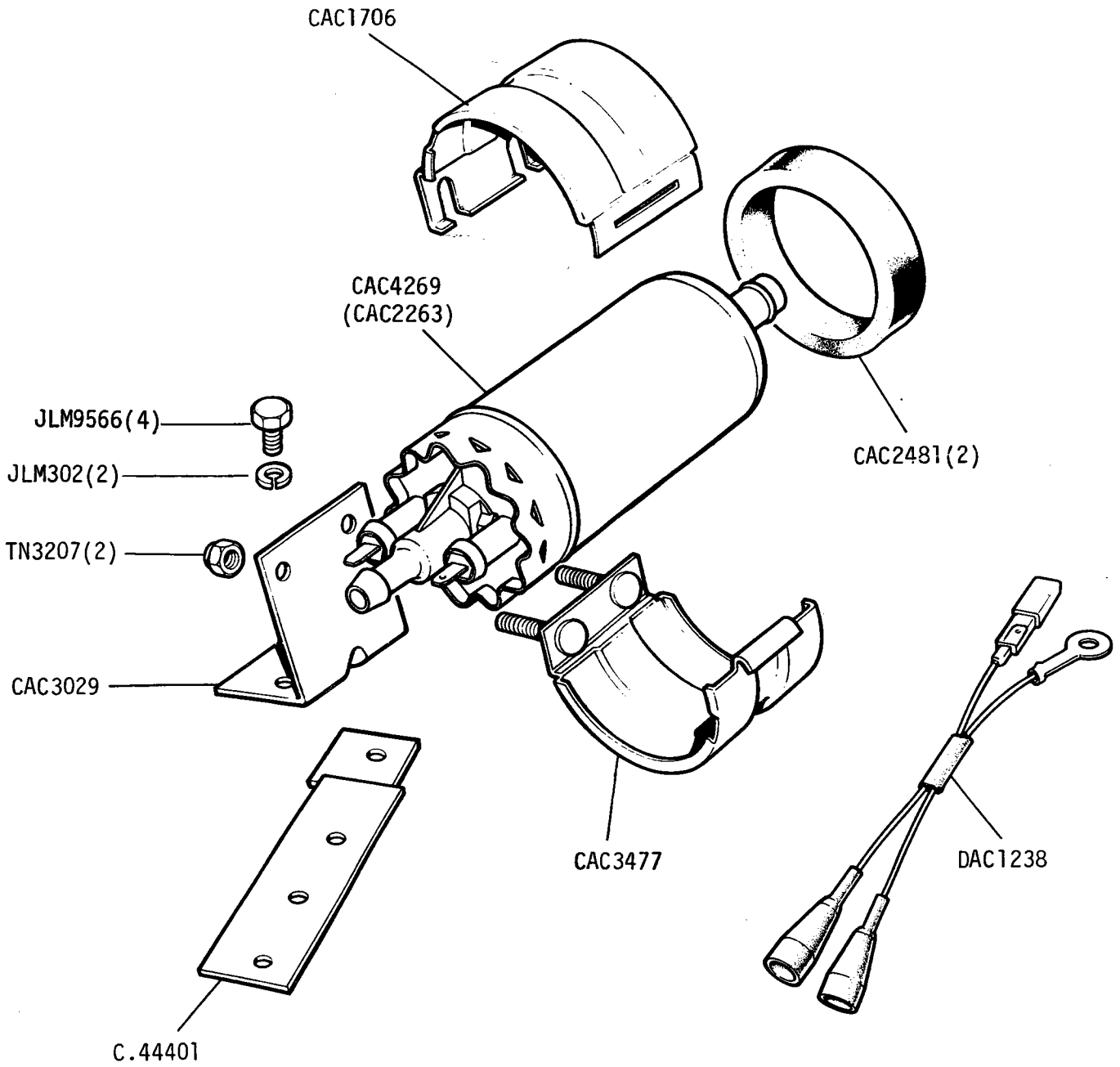


Jaguar XJ6 series 3  
Daimler Sovereign series 3

1J 11R

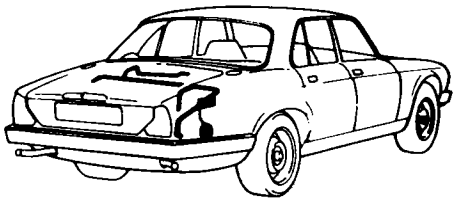
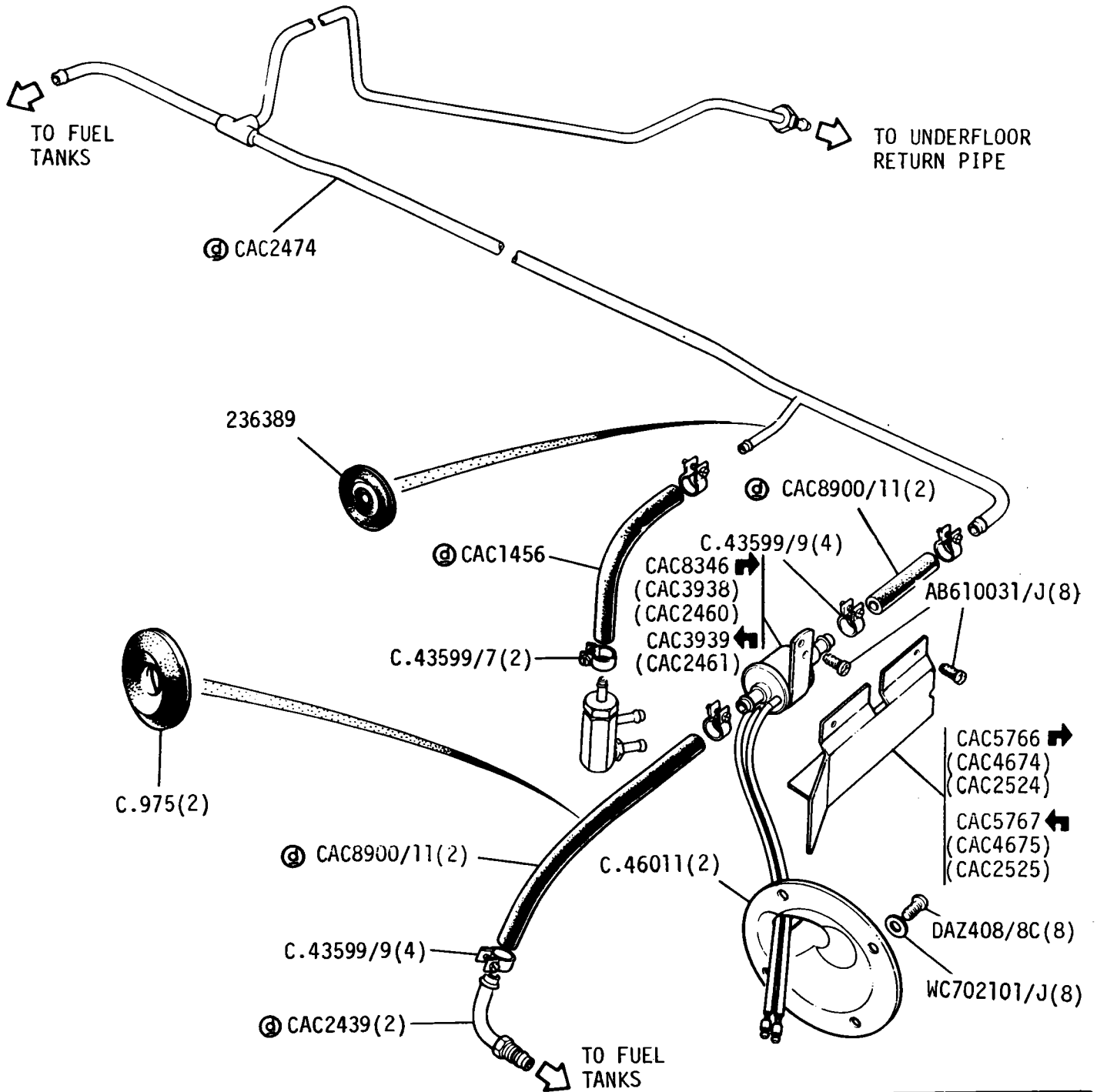
VS2009

GROUP H  
FUEL - fuel pump and mountings ①

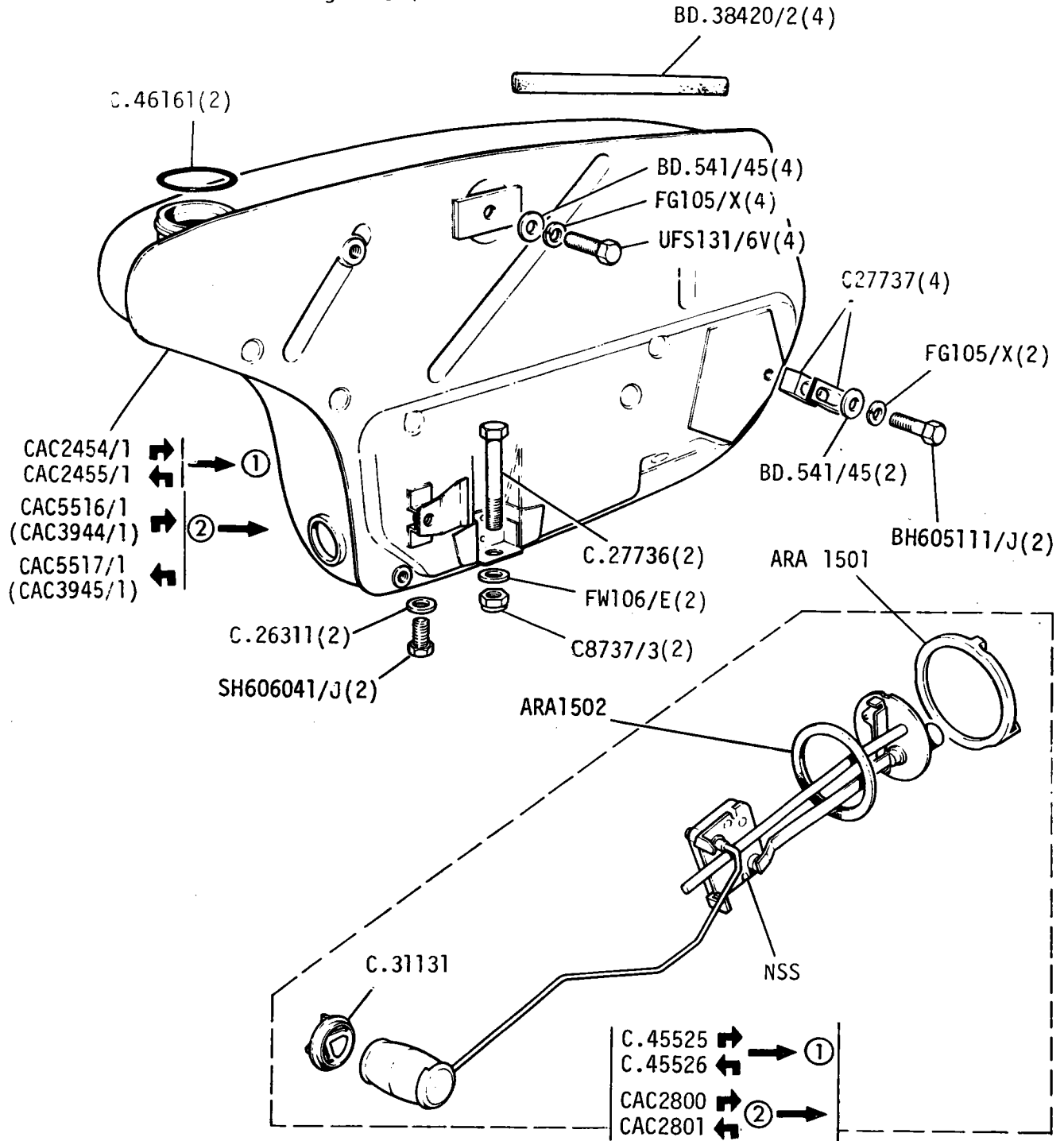


① 4.2L fuel injection

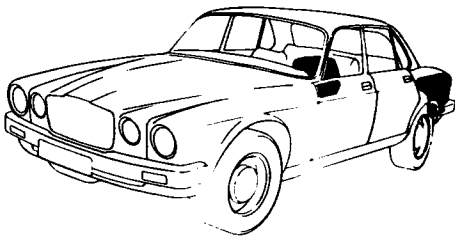
GROUP H  
 FUEL SYSTEM - return pipes and hoses in boot - 4.2



GROUP H  
 FUEL SYSTEM - tanks and mountings - 3.4



- ① VIN306248
- ② VIN306249

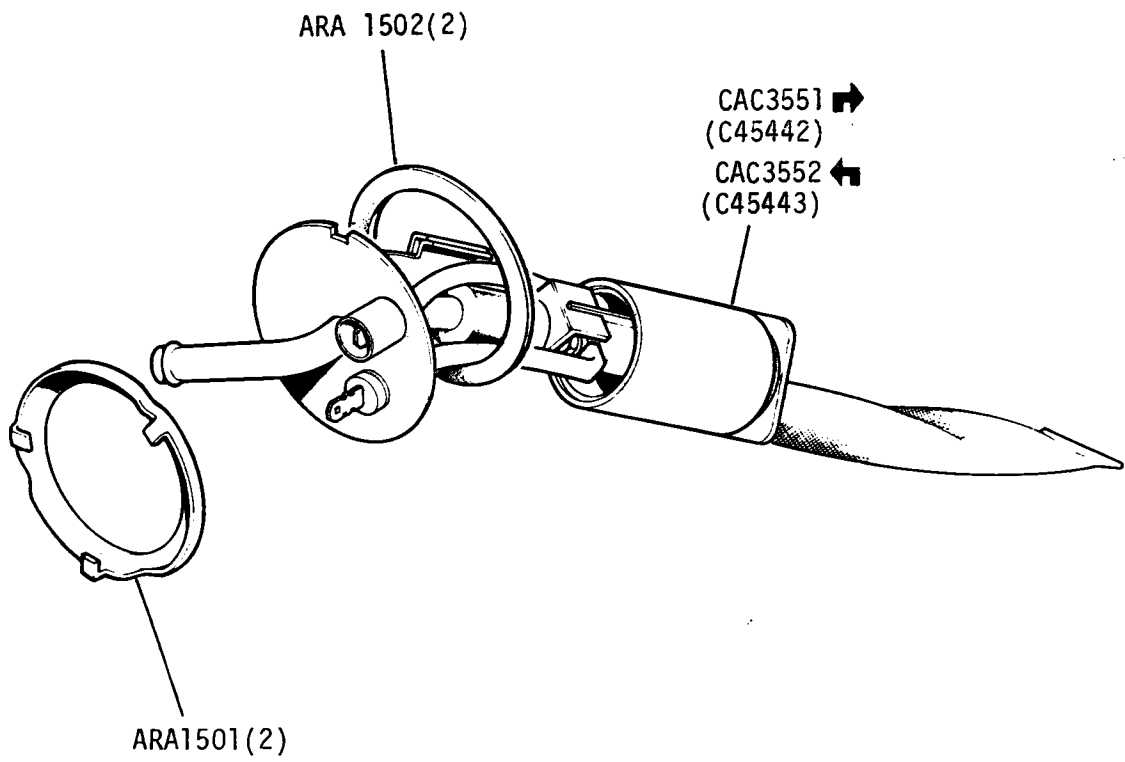


Jaguar XJ6 series 3  
 Daimler Sovereign series 3

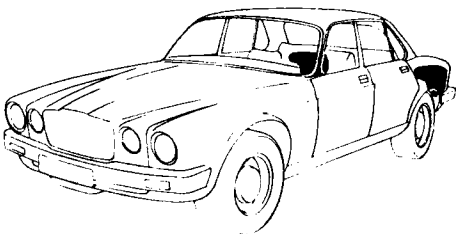
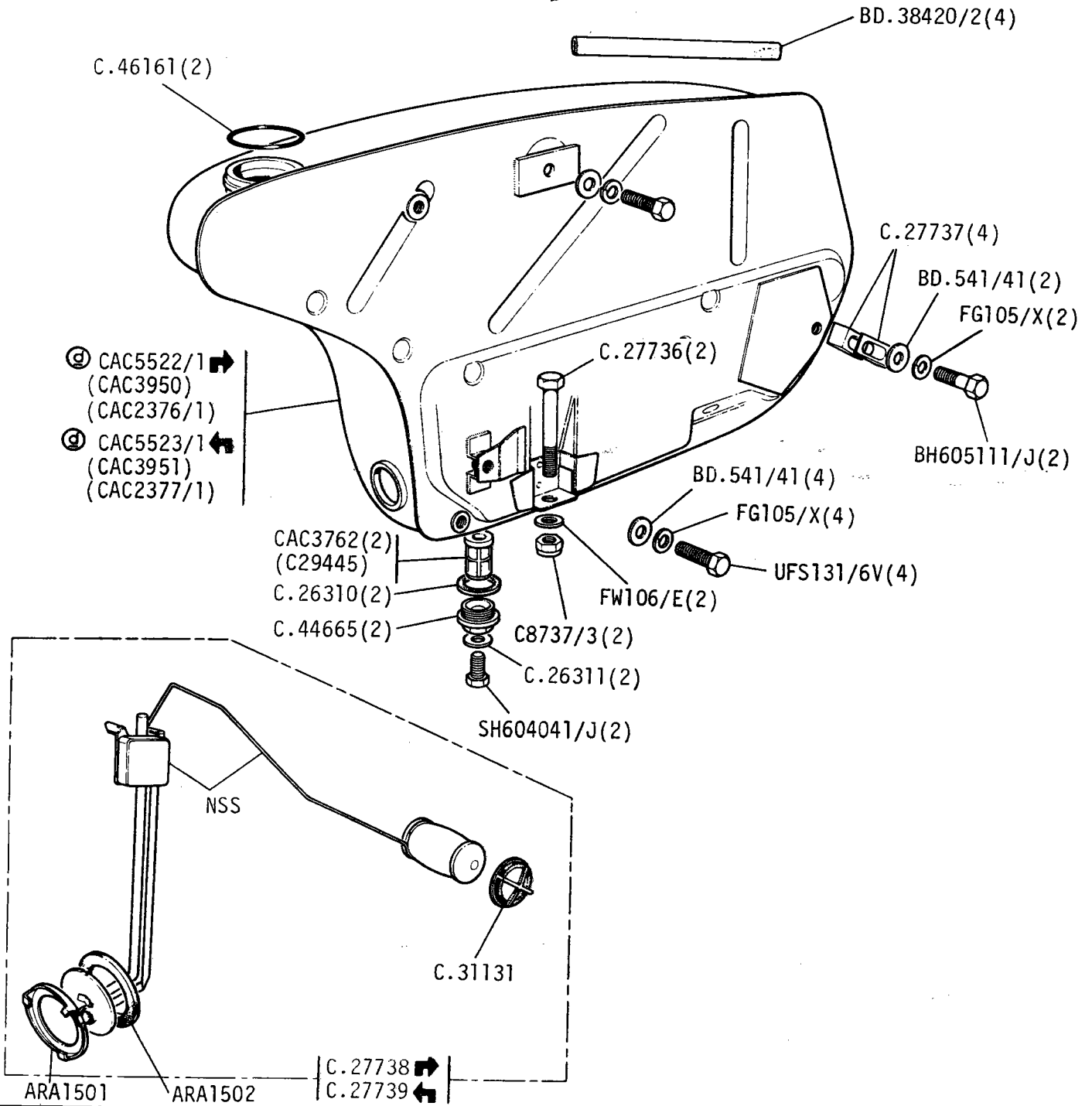
1J 13L

VS.1571

GROUP H  
ELECTRICAL - immersed fuel pumps - 3.4 litre



GROUP H  
 FUEL SYSTEM- tanks and mountings - 4.2 → ①



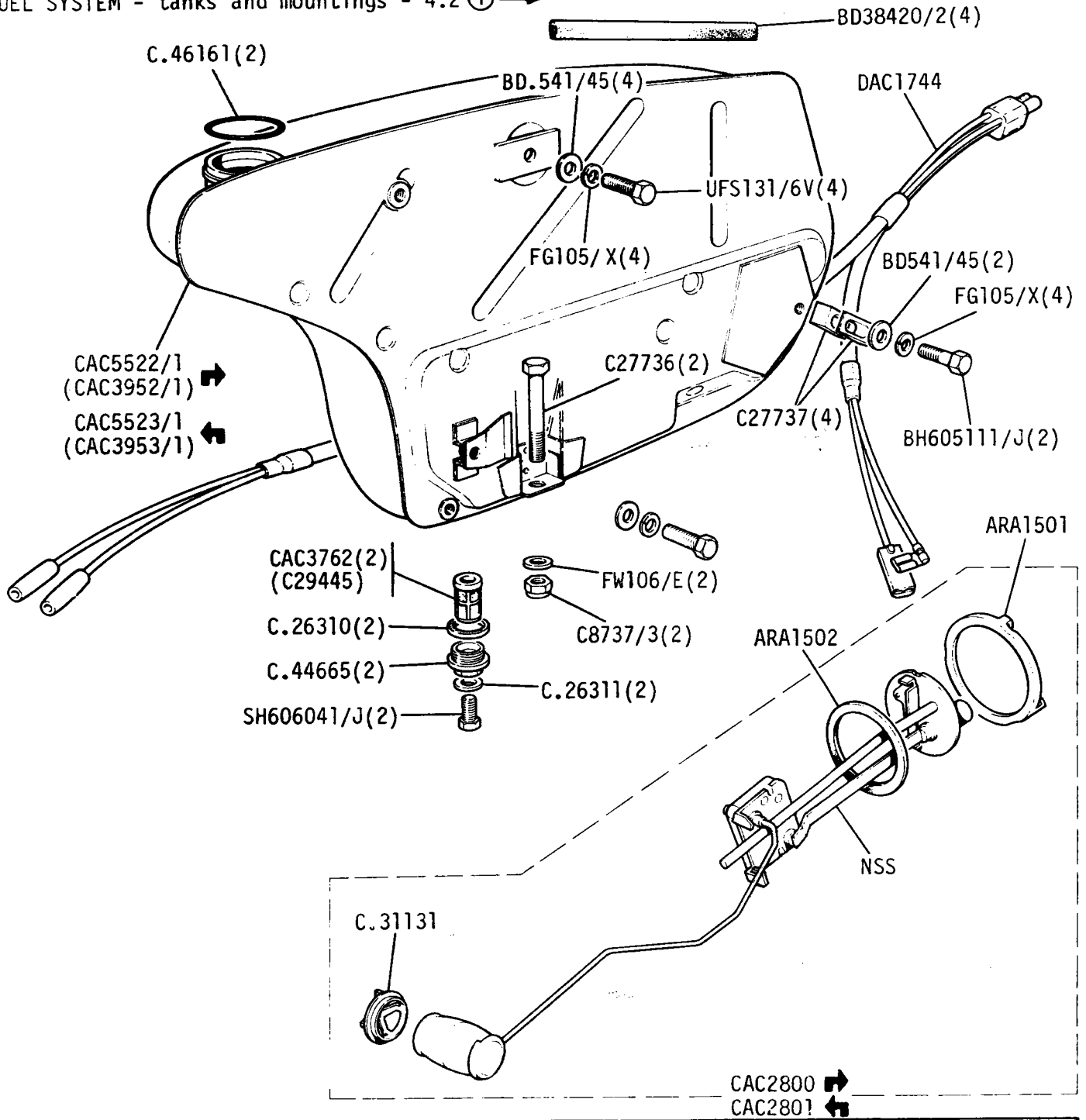
① VIN. 304927  
 Not CDN/J/USA

Jaguar XJ6 series 3  
 Daimler Sovereign series 3

1J 14L

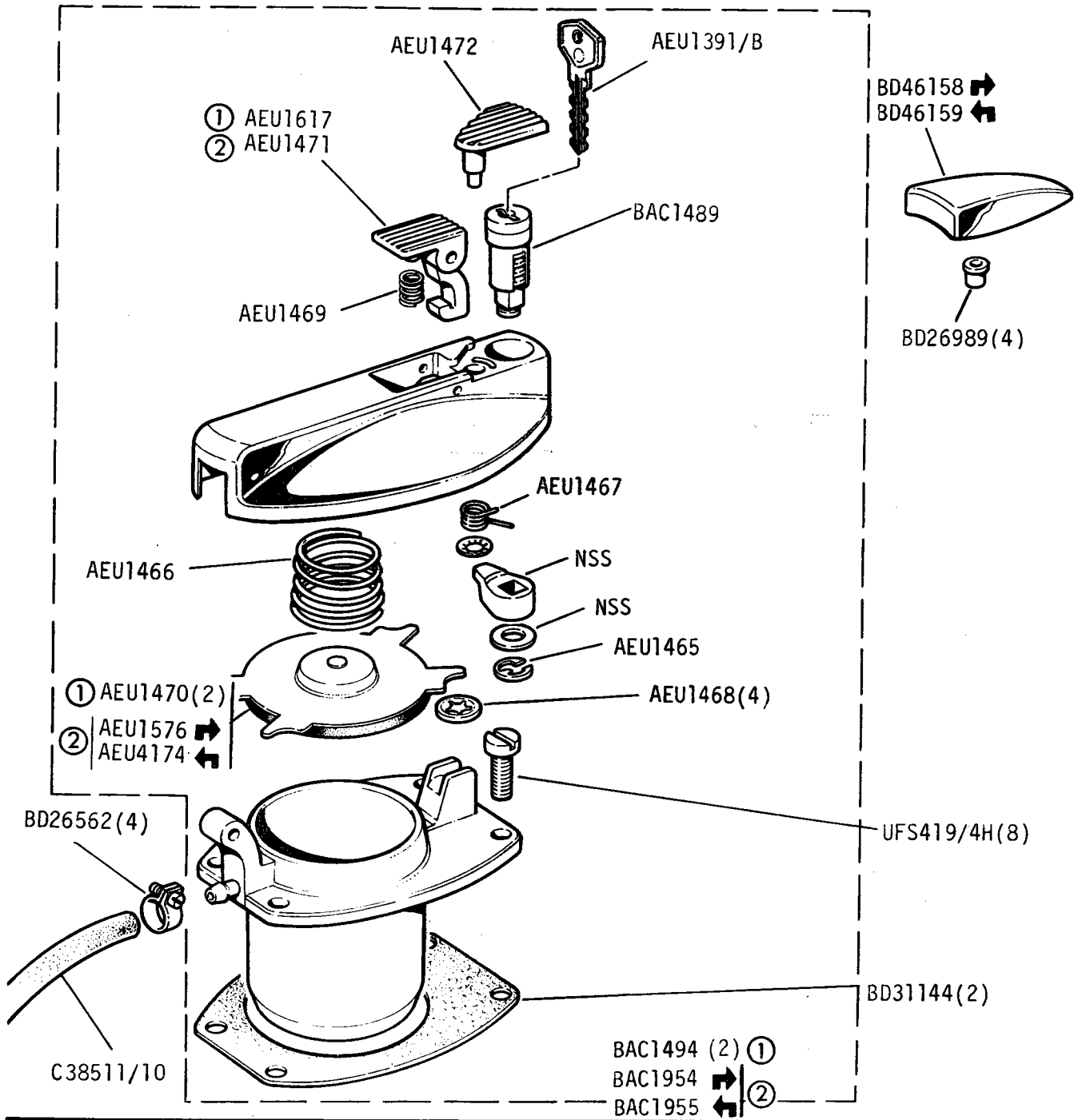
VS.1115

GROUP H  
 FUEL SYSTEM - tanks and mountings - 4.2 ① →



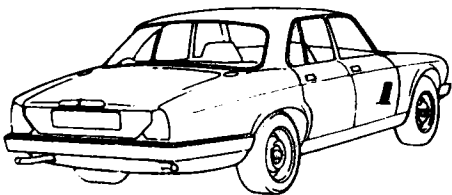
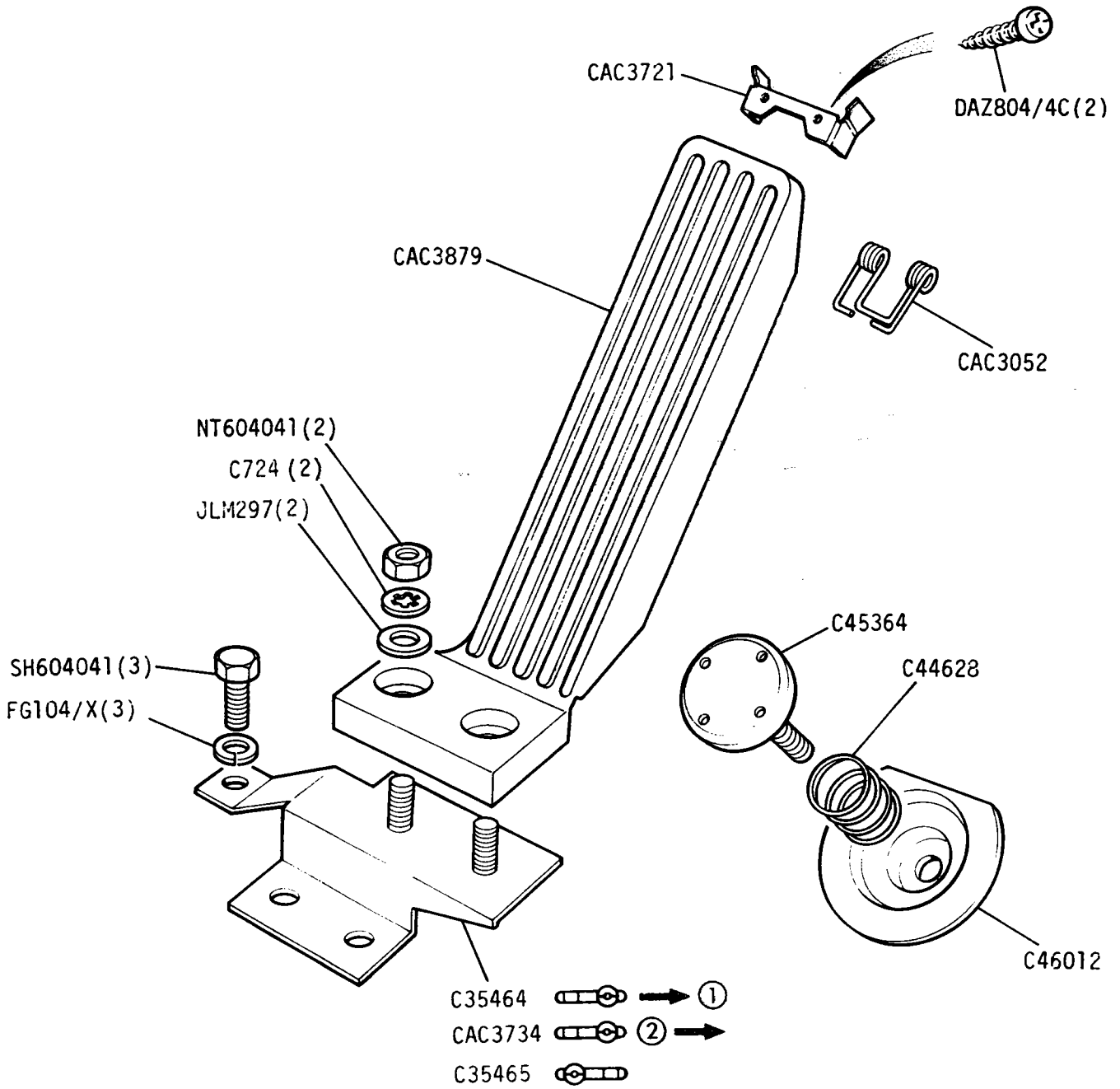
① VIN304928  
 CDN/J/USA from  
 production commencement

GROUP H  
 FUEL SYSTEM - fuel filler caps



- ① Not CDN/USA
- ② CDN/USA

GROUP H  
ACCELERATOR - pedal and mountings




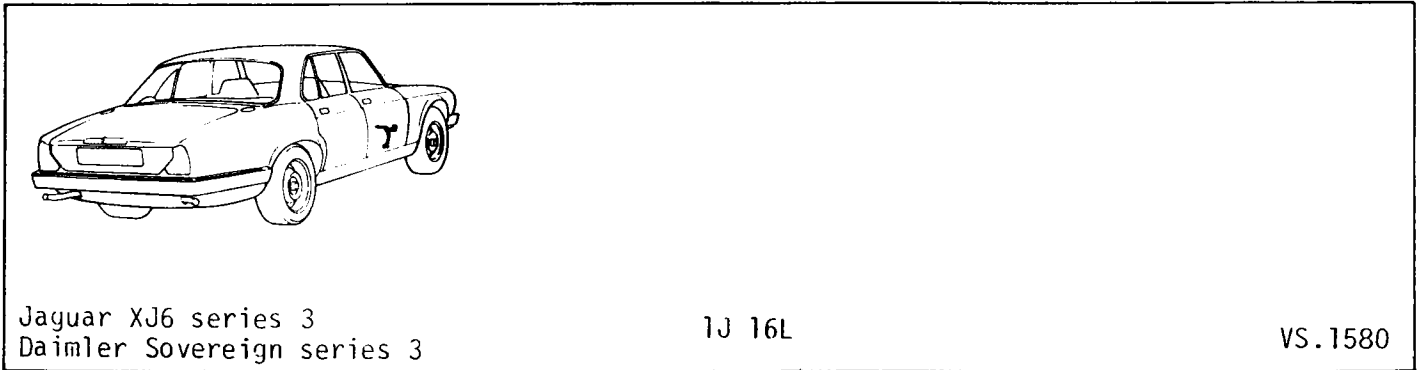
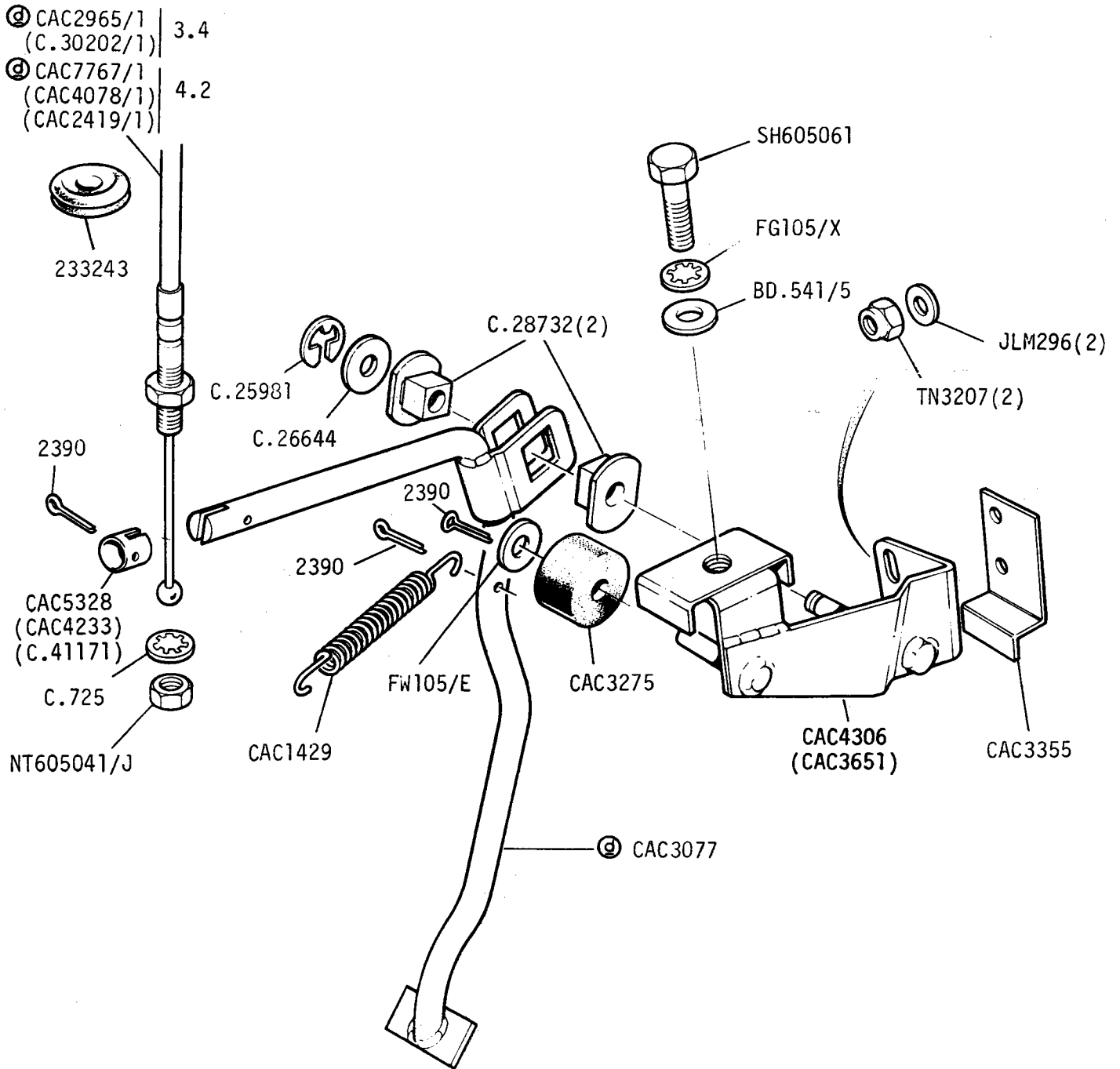
- ① VIN313588
- ② VIN313589


Jaguar XJ6 series 3  
Daimler Sovereign series 3

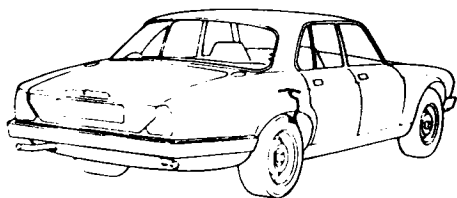
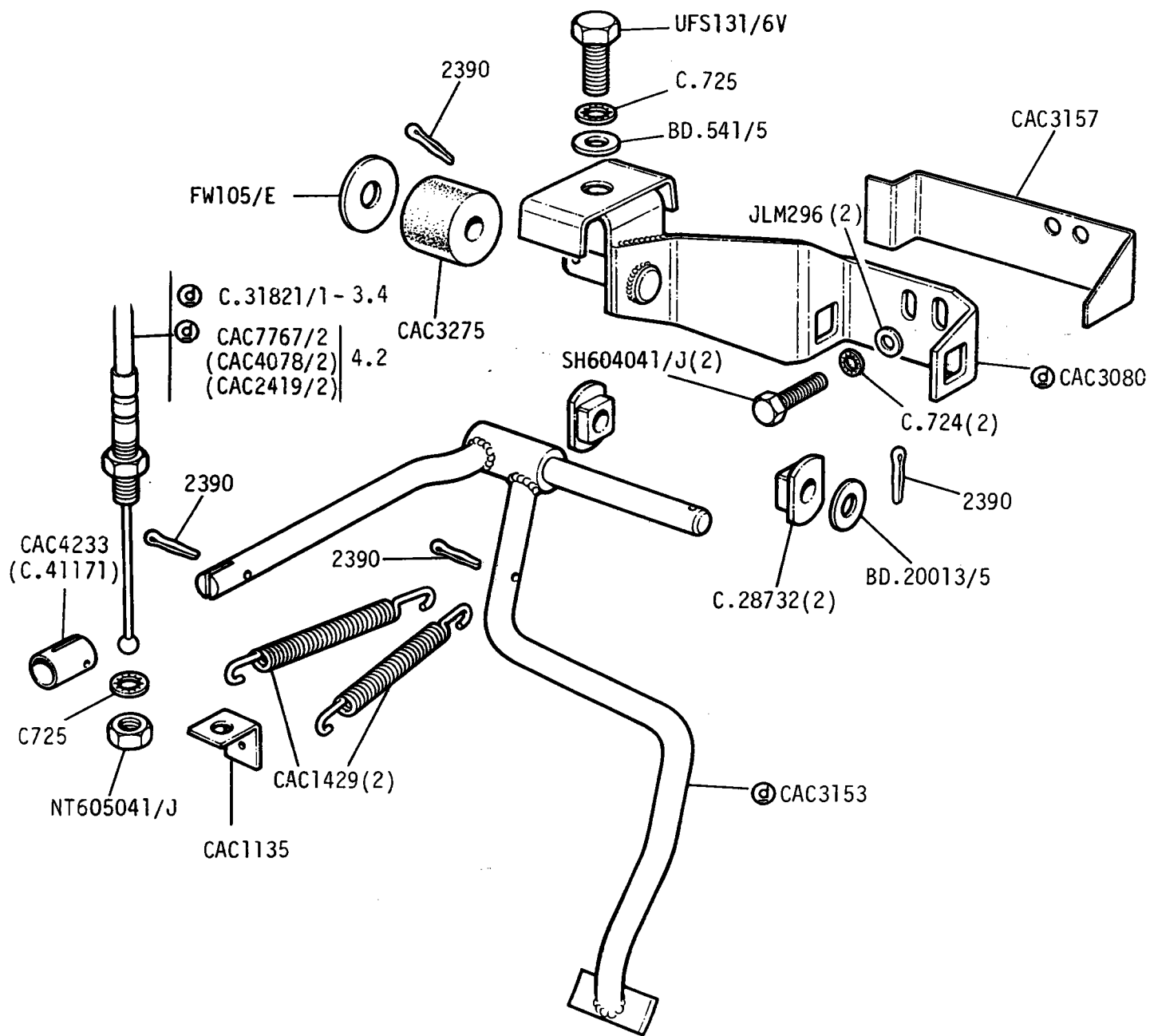
IJ 15R

VS1579

GROUP H  
 ACCELERATOR - operating rod and cable 



GROUP H  
 ACCELERATOR - operating rod and cable 

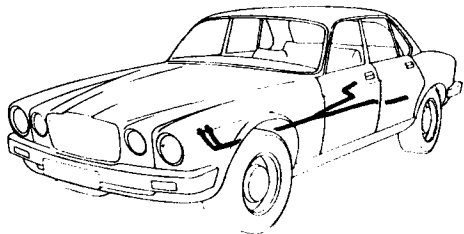
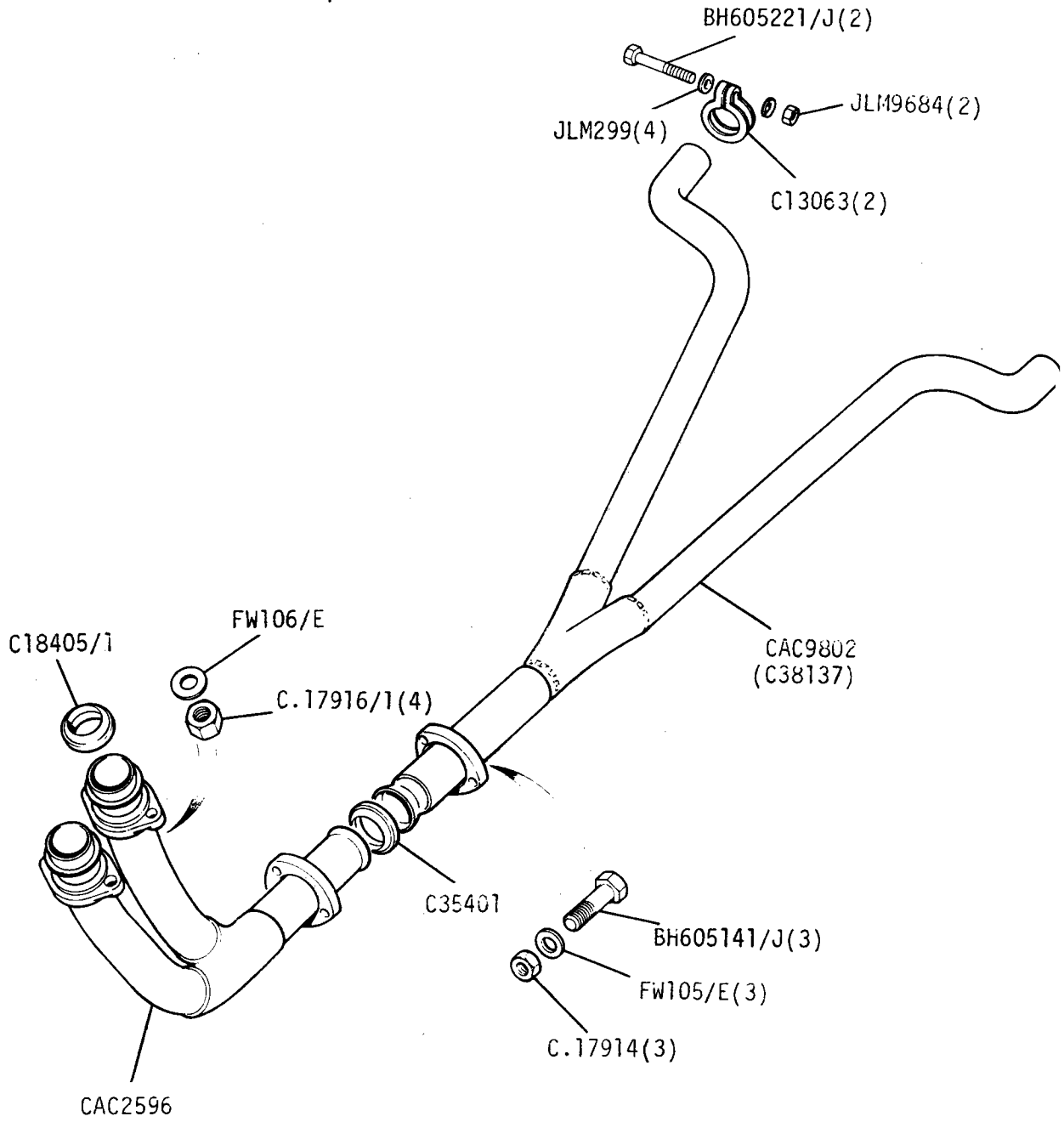


Jaguar XJ6 series 3  
 Daimler Sovereign series 3

1J 16R

VS1578

GROUP H  
EXHAUST - Down and Forward Pipes

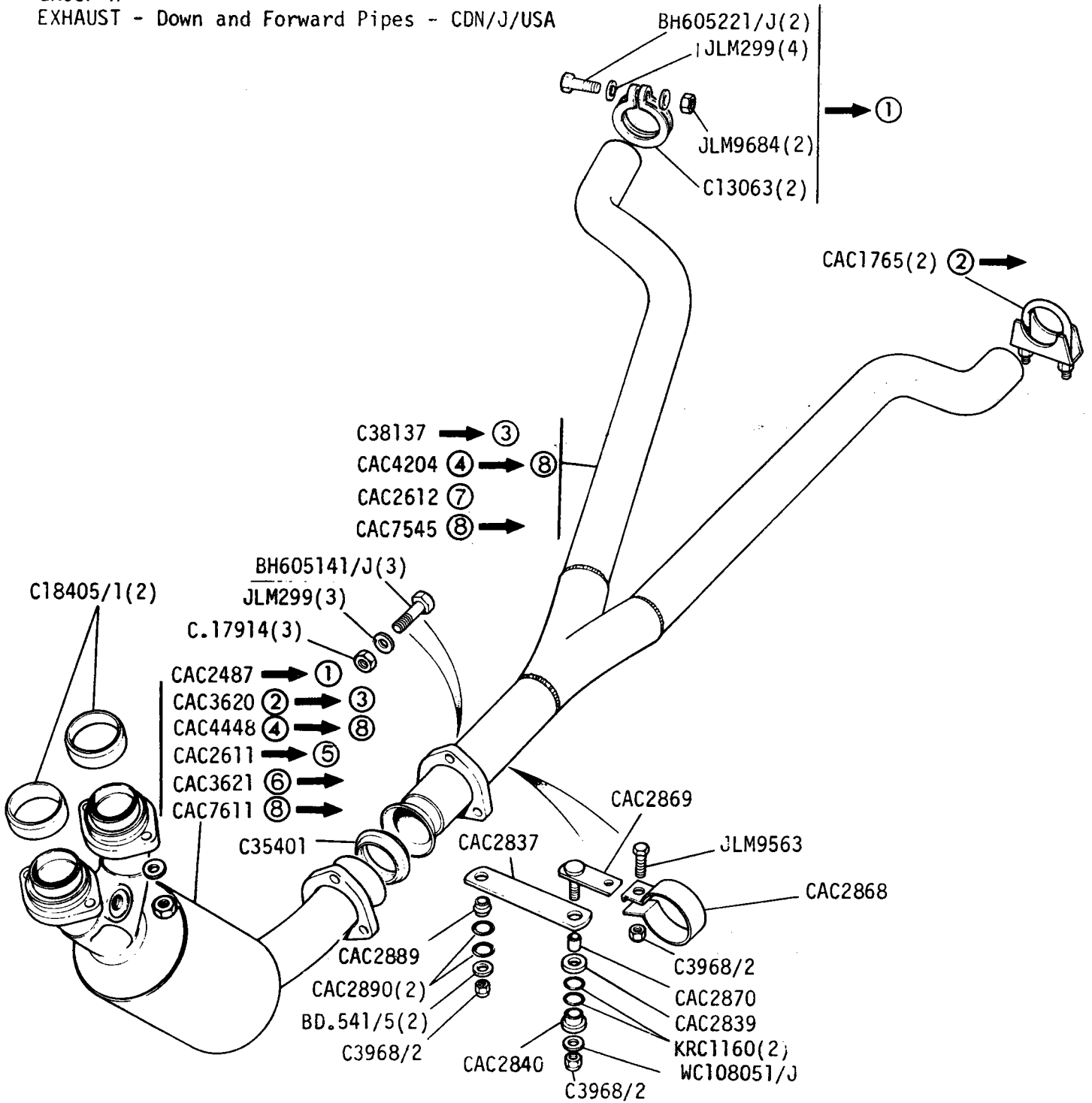


Jaguar XJ6 series 3  
Daimler Sovereign series 3

1K 02L

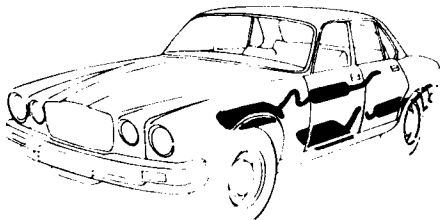
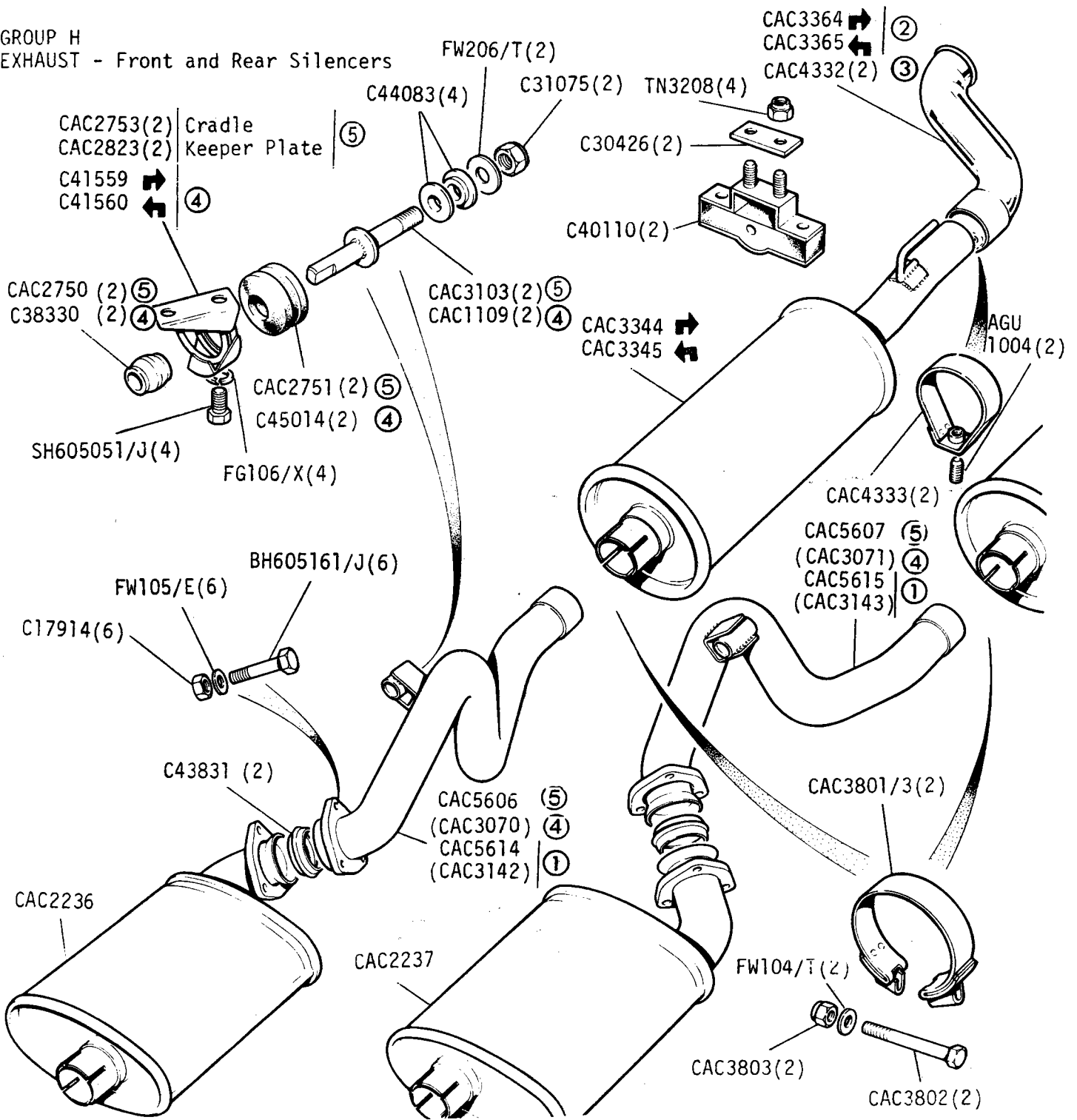
VS.1267

GROUP H  
EXHAUST - Down and Forward Pipes - CDN/J/USA



- |                       |                   |
|-----------------------|-------------------|
| ① VIN310612 - CDN/USA | ⑦ J               |
| ② VIN310613 - CDN/USA | ⑧ 1984 Model Year |
| ③ VIN321108 - USA     |                   |
| ④ VIN321109 - USA     |                   |
| ⑤ VIN321108 - J only  |                   |
| ⑥ VIN321109 - J only  |                   |

GROUP H  
EXHAUST - Front and Rear Silencers



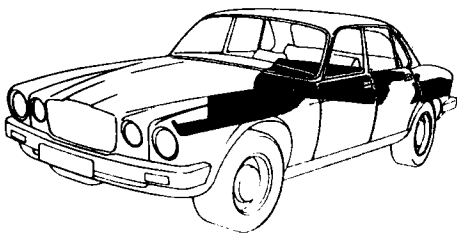
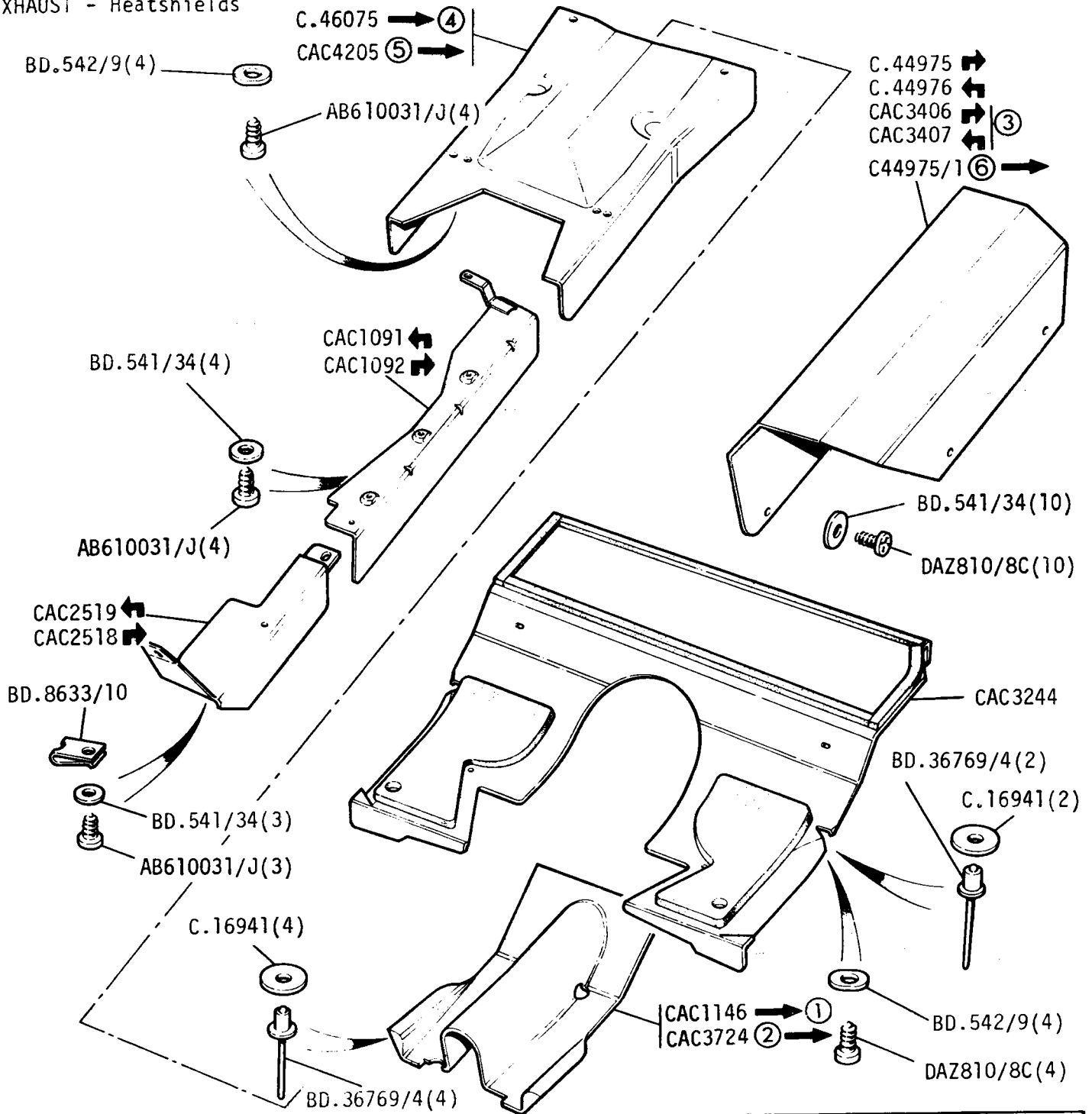
- ① J only
- ② Fitted up to VIN321108
- ③ Fitted from VIN321109
- ④ Fitted up to VIN354034
- ⑤ Fitted from VIN354035

Jaguar XJ6 Series 3  
Daimler Sovereign Series 3

1K 03L

VS1078

GROUP H  
EXHAUST - Heatshields



- ① VIN310612 - CDN/J/USA
- ② VIN310613 - CDN/J/USA
- ③ J only
- ④ VIN 321108
- ⑤ VIN 321109
- ⑥ VIN

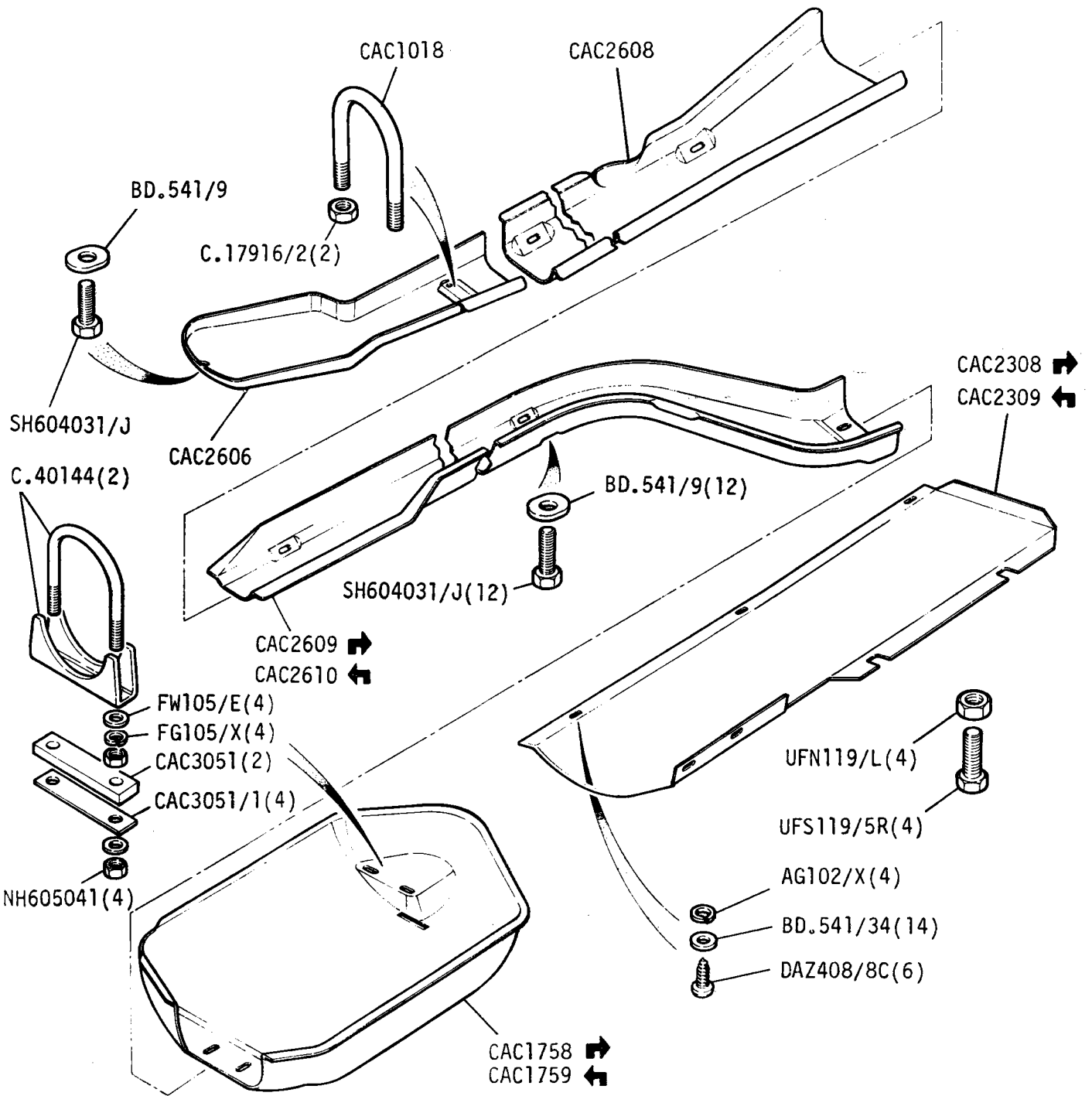
GERMANY ONLY

Jaguar XJ6 series 3  
Daimler Sovereign series 3

1K 03R

VS.1629

GROUP H  
EXHAUST - Grass Heatshields - J only

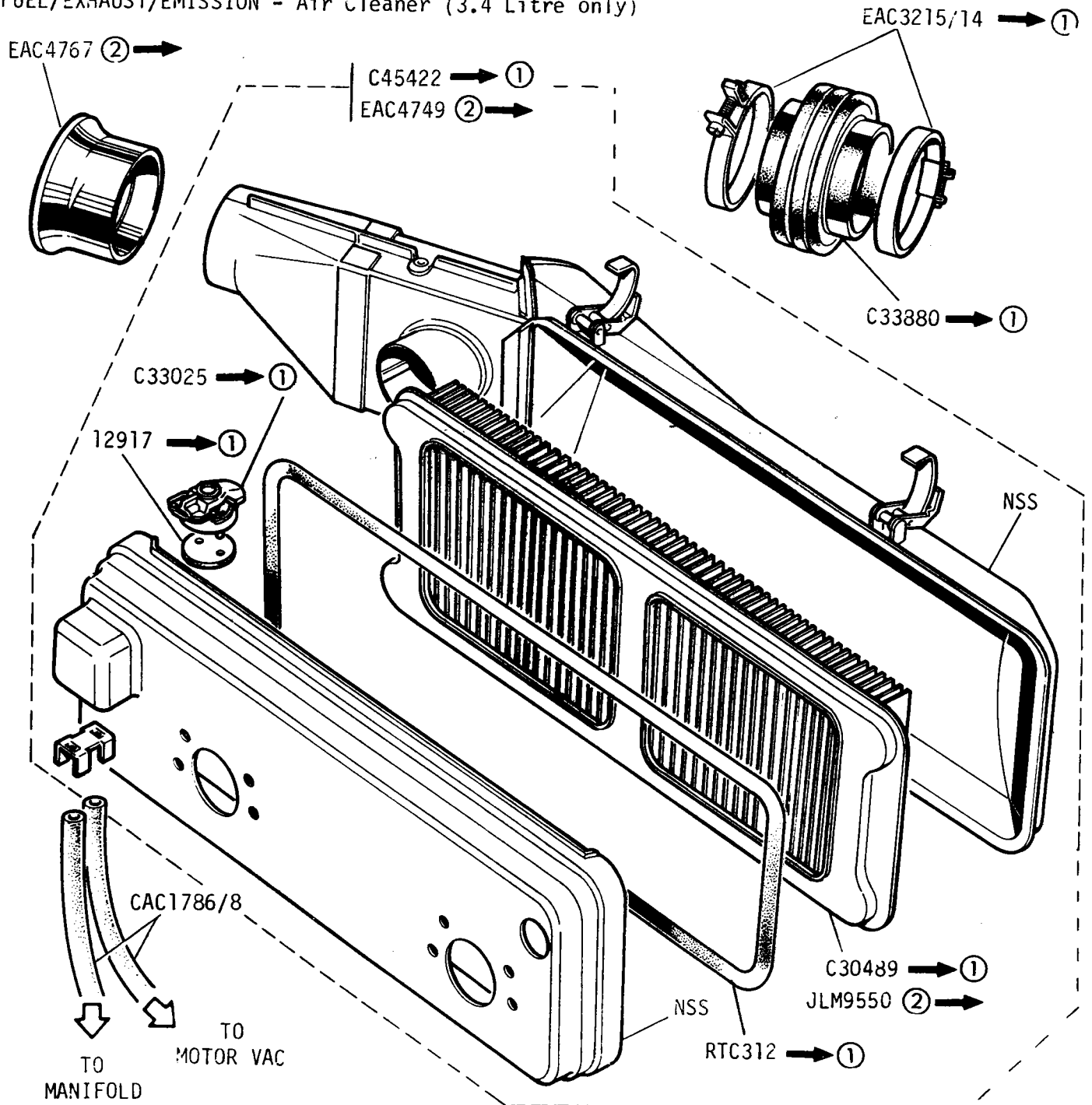


Jaguar XJ6 series 3  
Daimler Sovereign series 3

1K 04L

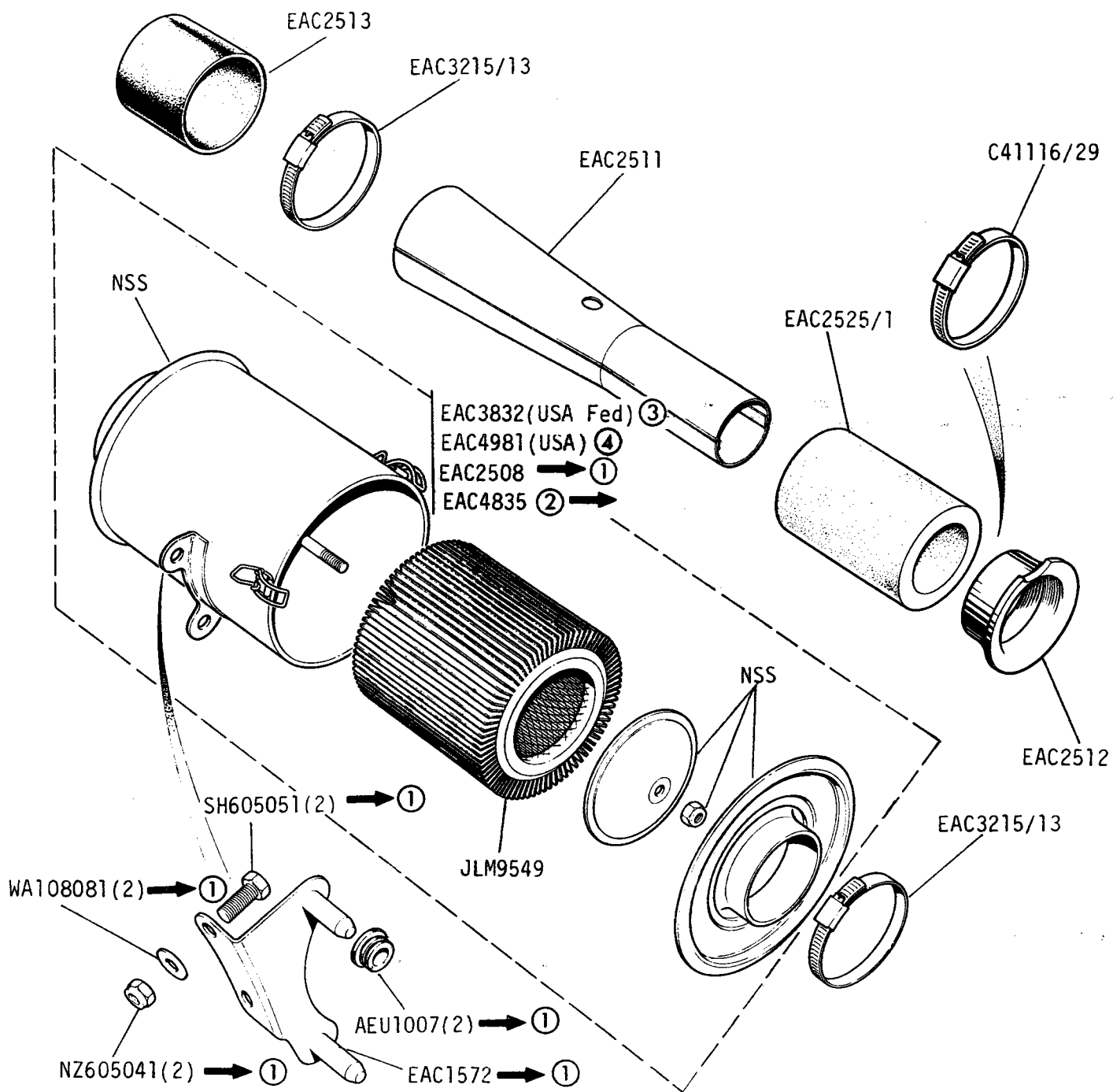
VS.1612

GROUP H  
 FUEL/EXHAUST/EMISSION - Air Cleaner (3.4 Litre only)



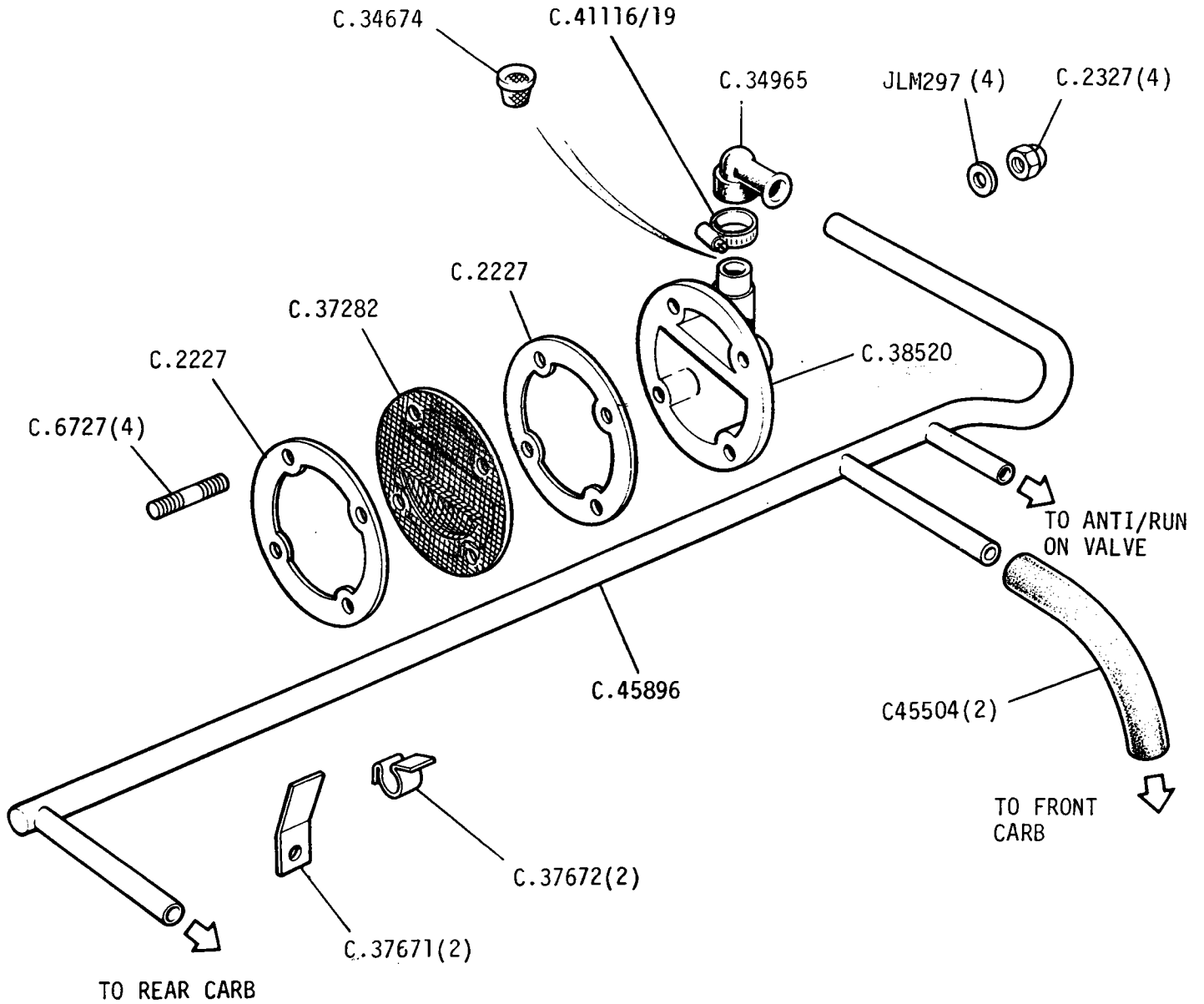
- ① Fitted up to approx.VIN340194(A.C.Delco Air Cleaner)
- ② Fitted from approx.VIN340195(Mann Hummel Air Cleaner)

GROUP H  
 FUEL/EXHAUST/EMISSION - Air Cleaner(4.2 Litre only)

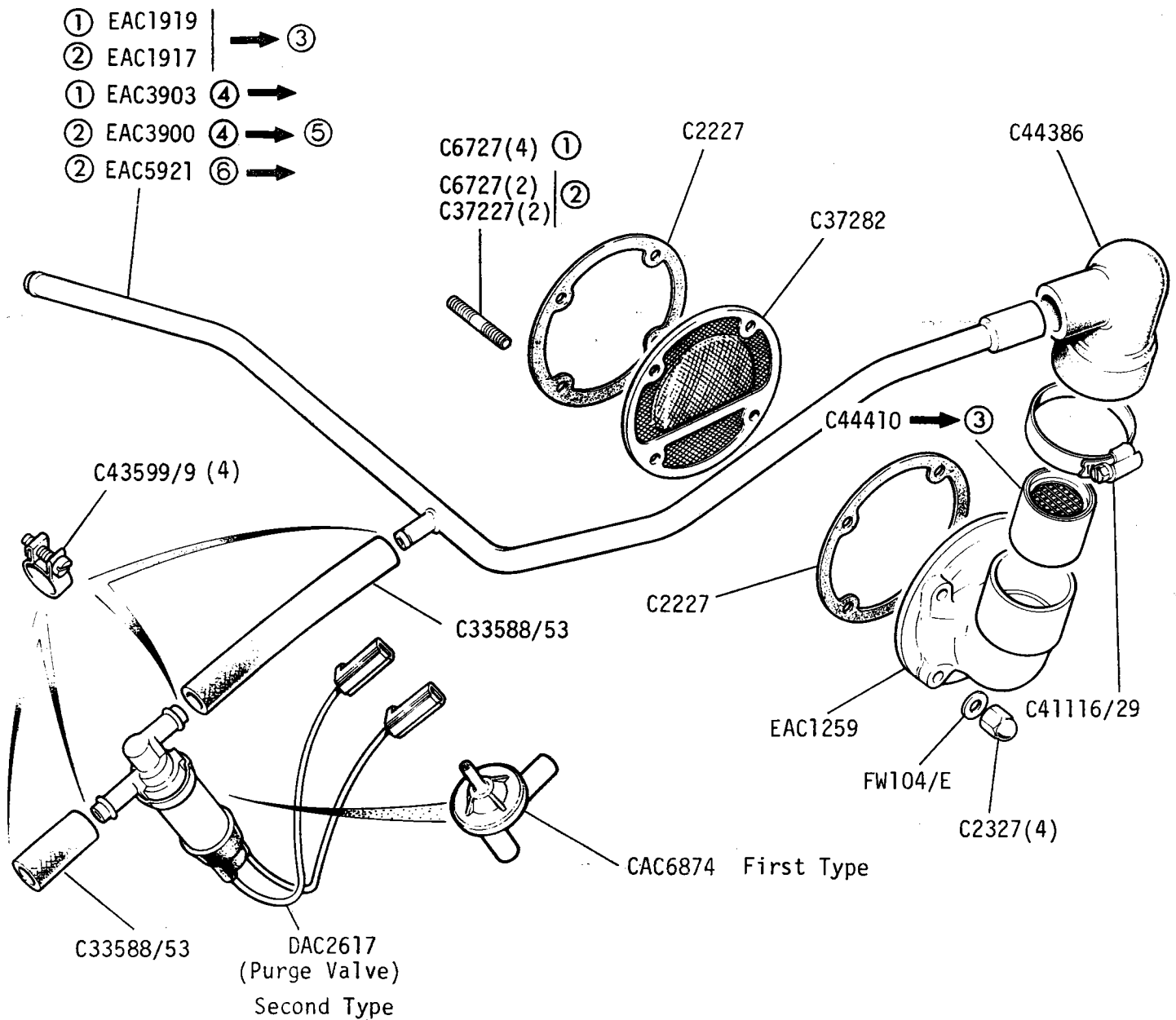


- ① VIN340835
- ② VIN340836
- ③ Fitted from Eng.No.8L99000 → 8L114138 only
- ④ VIN346688 →

GROUP H  
 FUEL/EXHAUST/EMISSION - Engine Breather Pipe and Housing(3.4 LITRE)

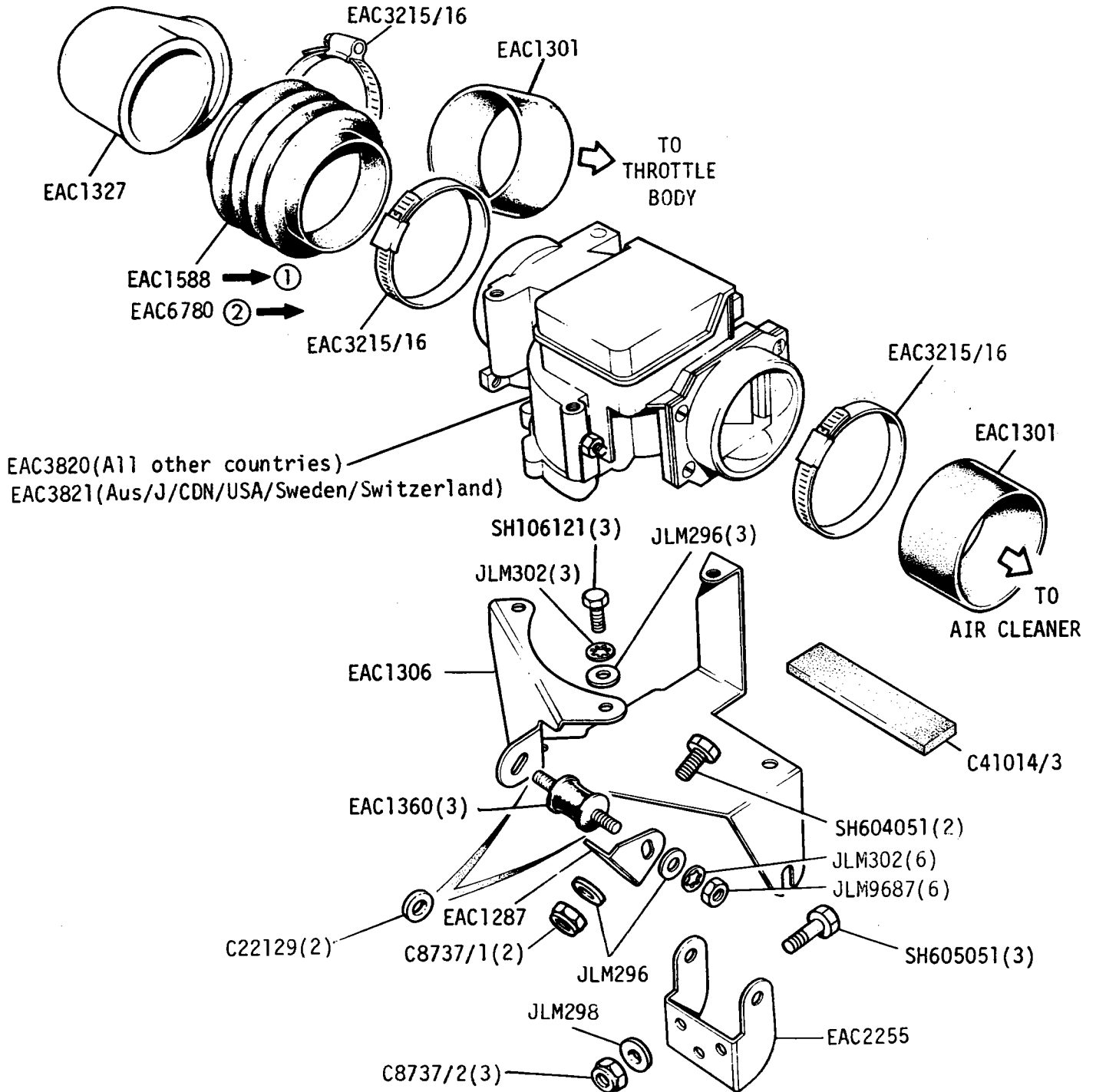


GROUP H  
 FUEL/EXHAUST/EMISSION - Engine Breather Pipe and Housing (4.2 Litre)



① Vehicles less Carbon Canister	⑤ 366094 (Aus);366289(USA);366384(J)
② Vehicles with Carbon Canister	⑥ 366095(Aus) ;366290(USA);366385(J)
③ Eng No. 8L98550 (USA,CALIF);8L89999(USA Fed);8L102870(Europe) 8L103710 (Aus);8L104650(Japan)	
④ Eng Nos. 8L98551(USA Calif);8L99000(USA Fed);8L102871 (Europe) 8L103711(Aus);8L104651(Japan)	
Jaguar XJ6 Series 3 Daimler Sovereign Series 3	
1K 06L	
VS 1160	

GROUP H  
 FUEL/EXHAUST/EMISSION - Air Flow Meter (4.2 litre)

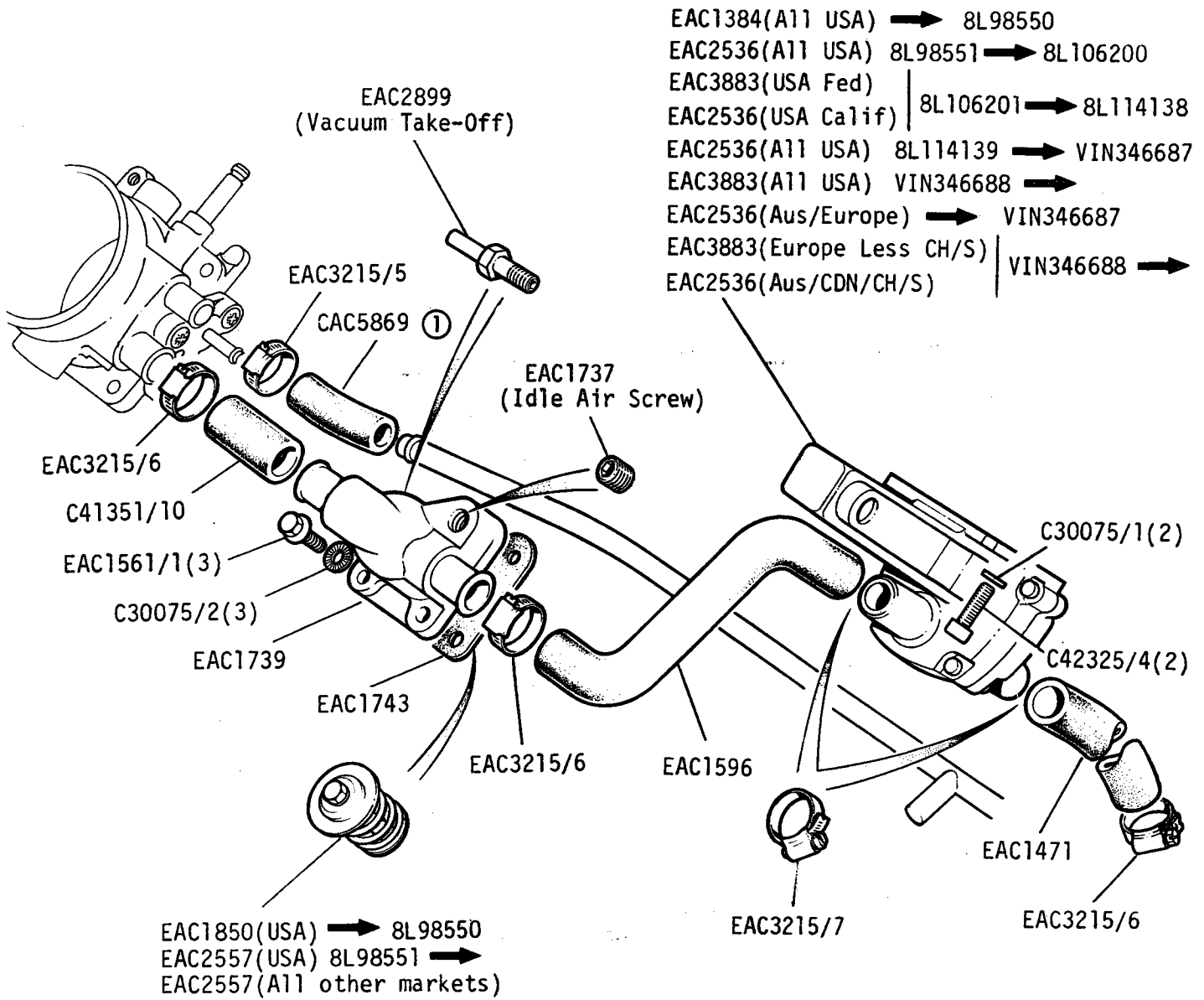


① VIN392751

② VIN392752

GROUP H

FUEL/EXHAUST/EMISSION - Extra Air Valve/Deceleration Valve/Air Dist.Block (4.2 LITRE ONLY)



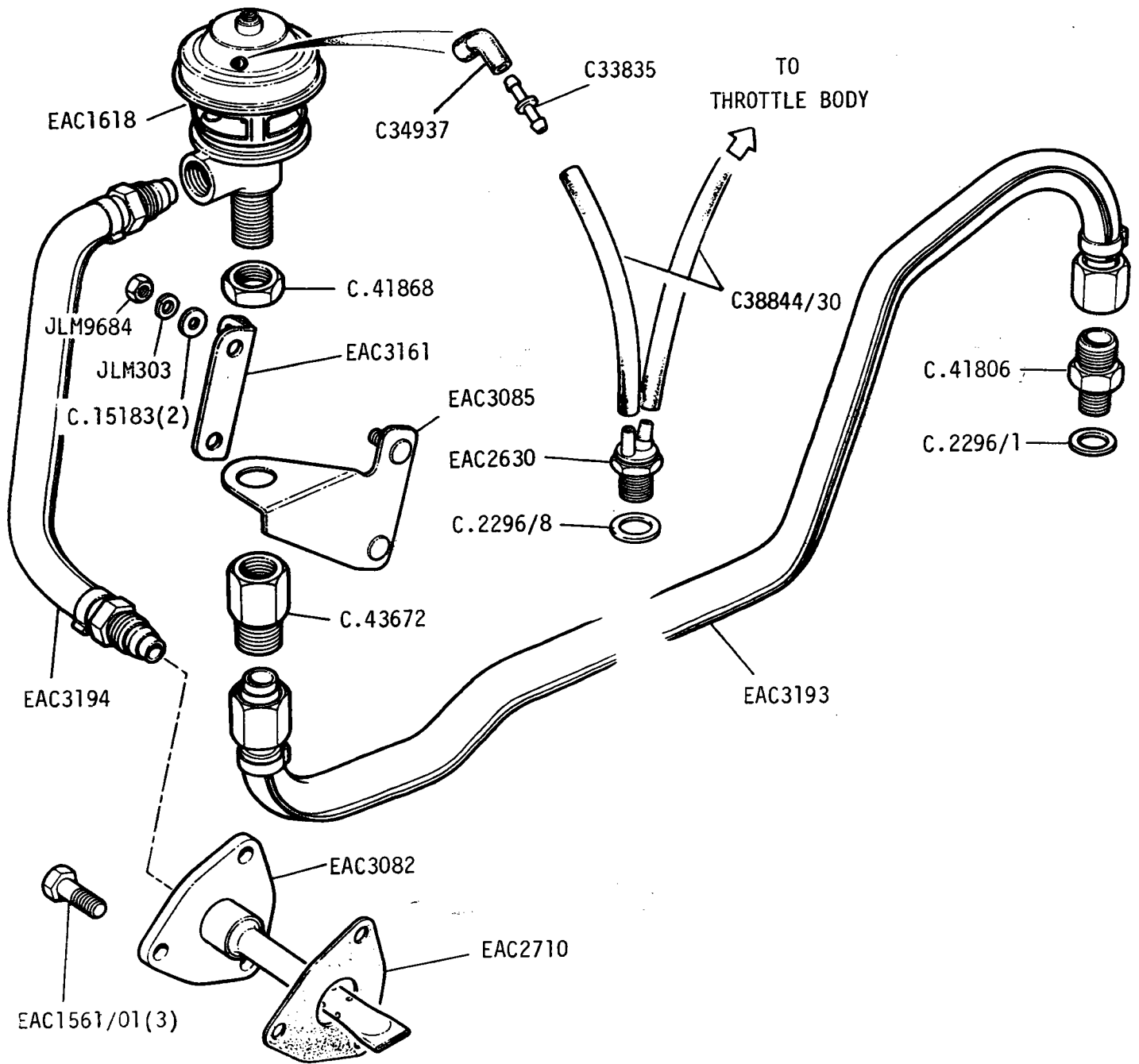
① Supplied in 1 metre lengths

Jaguar XJ6 series 3  
 Daimler Sovereign series 3

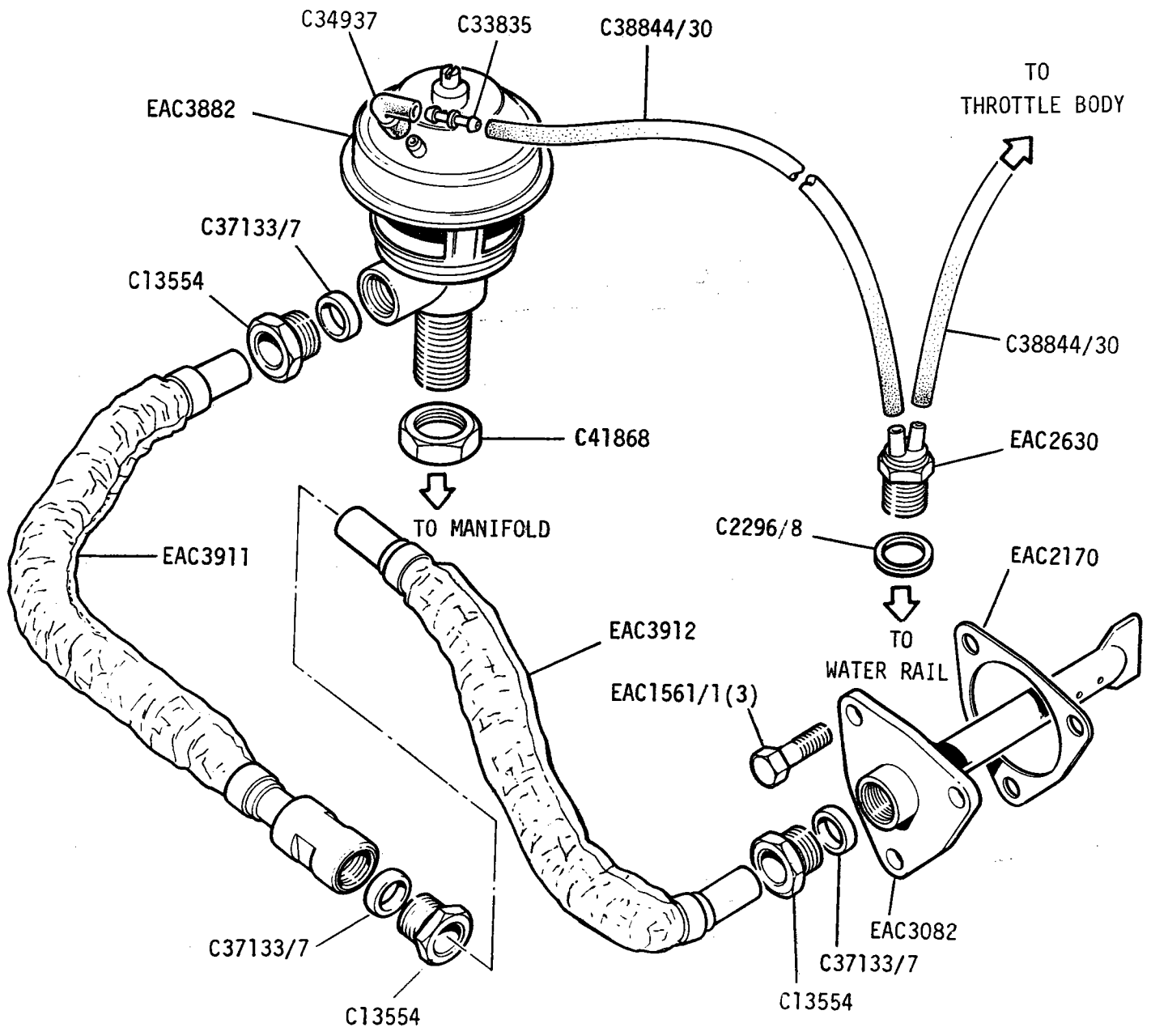
1K 07L

VS1494

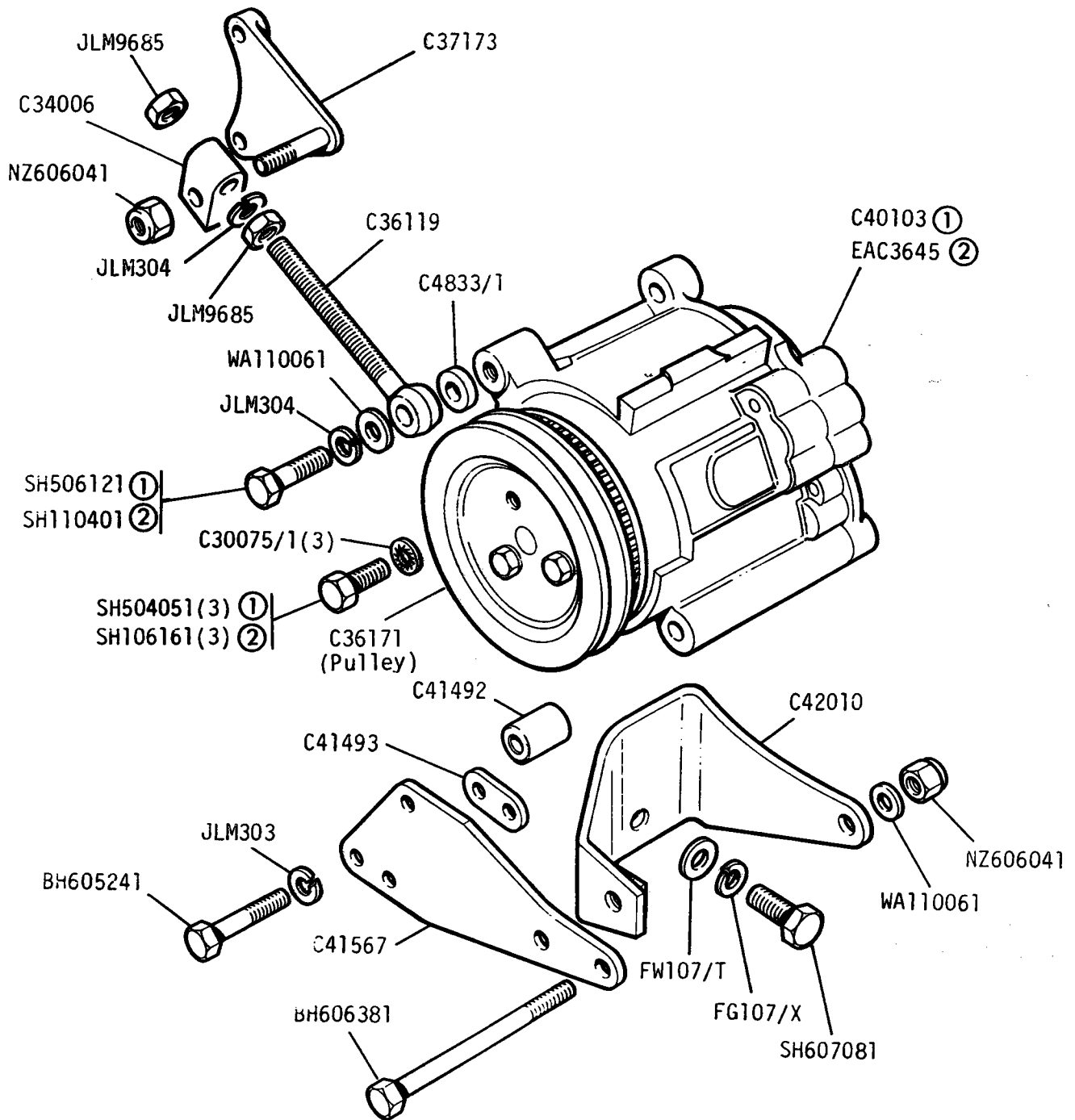
GROUP H  
 FUEL/EXHAUST/EMISSION - EGR Valve and Pipes (4.2 Litre - AUS/SWEDEN)  
 Fitted up to Engine No 8L 103710 only



GROUP H  
 FUEL/EXHAUST/EMISSION - EGR Valve and Pipes (4.2 Litre - AUS/SWEDEN/SWITZERLAND)  
 Fitted from Engine No 8L103711 →

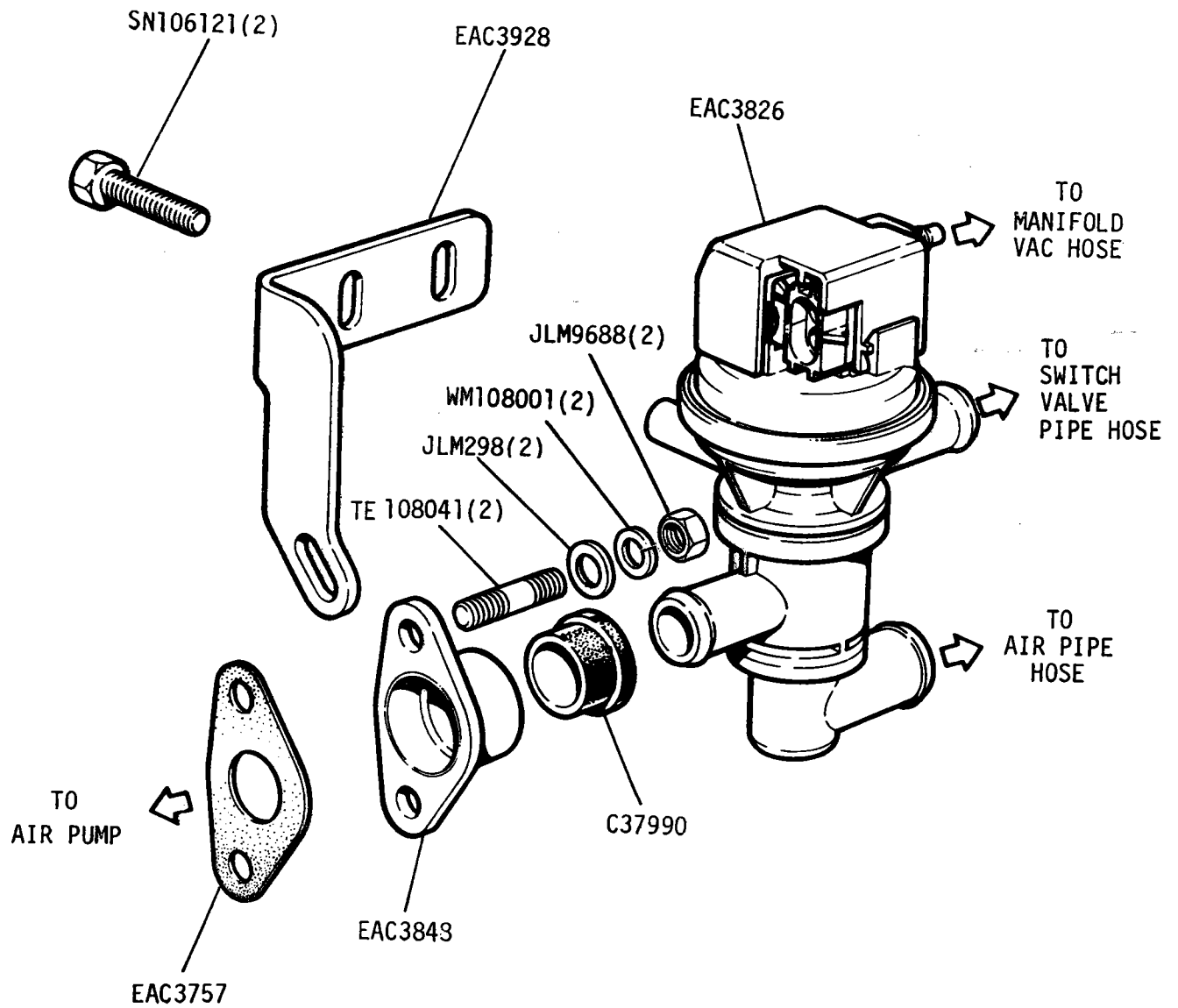


GROUP H  
 FUEL/EXHAUST/EMISSION - Air Injection Pump (4.2 Litre) — (Australia/Canada/USA)



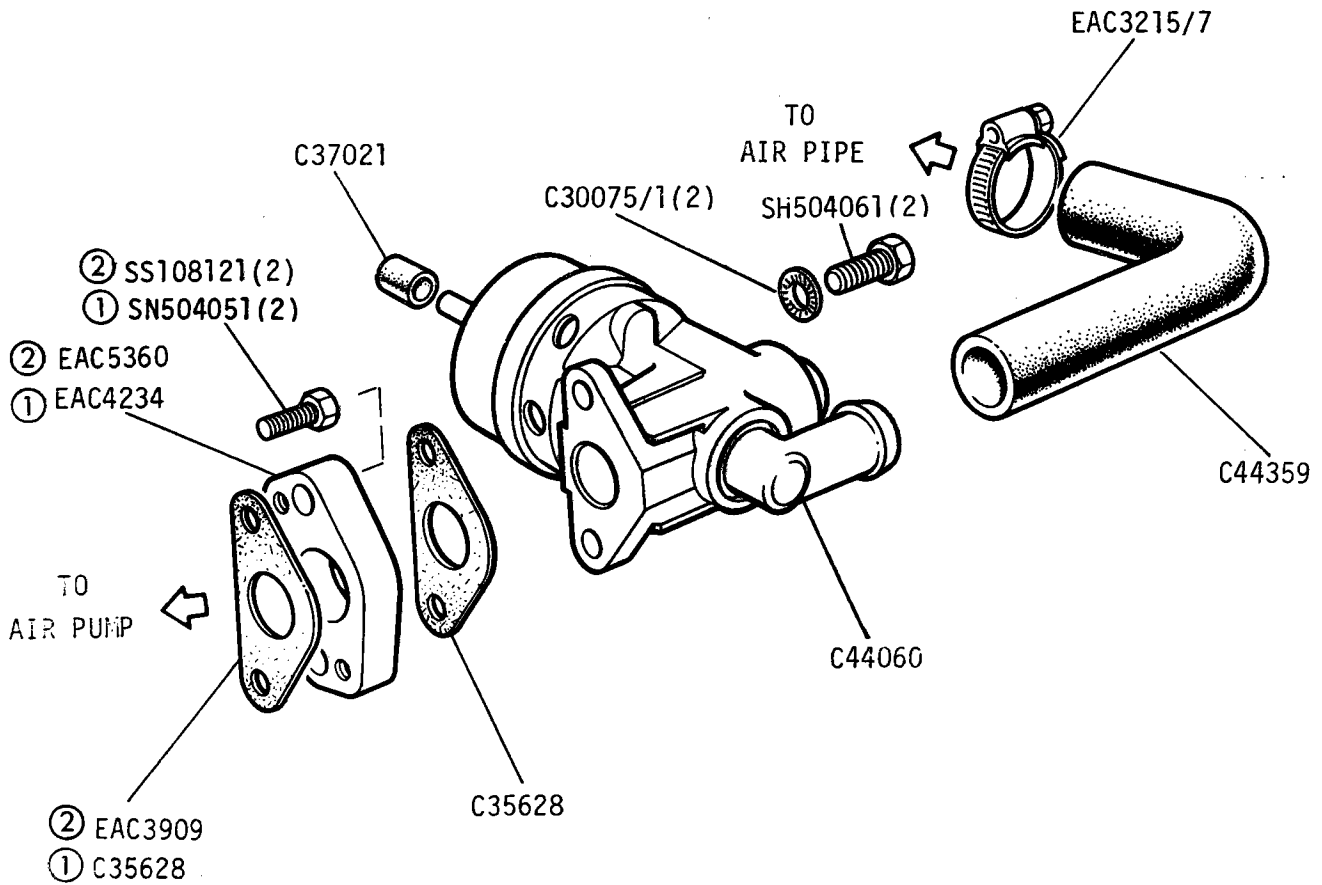
- ① Imperial Thread — Australia ( → VIN349440 )  
 ② Metric Thread — Canada / Australia (VIN349441 → ) / USA

GROUP H  
FUEL/EXHAUST/EMISSION - Air Switching Valve (4.2 LITRE - USA) ①



① Engines with Air Injection Pump

GROUP H  
 FUEL/EXHAUST/EMISSION - Diverter Valve and Adaptor(4.2 LITRE-Australia)

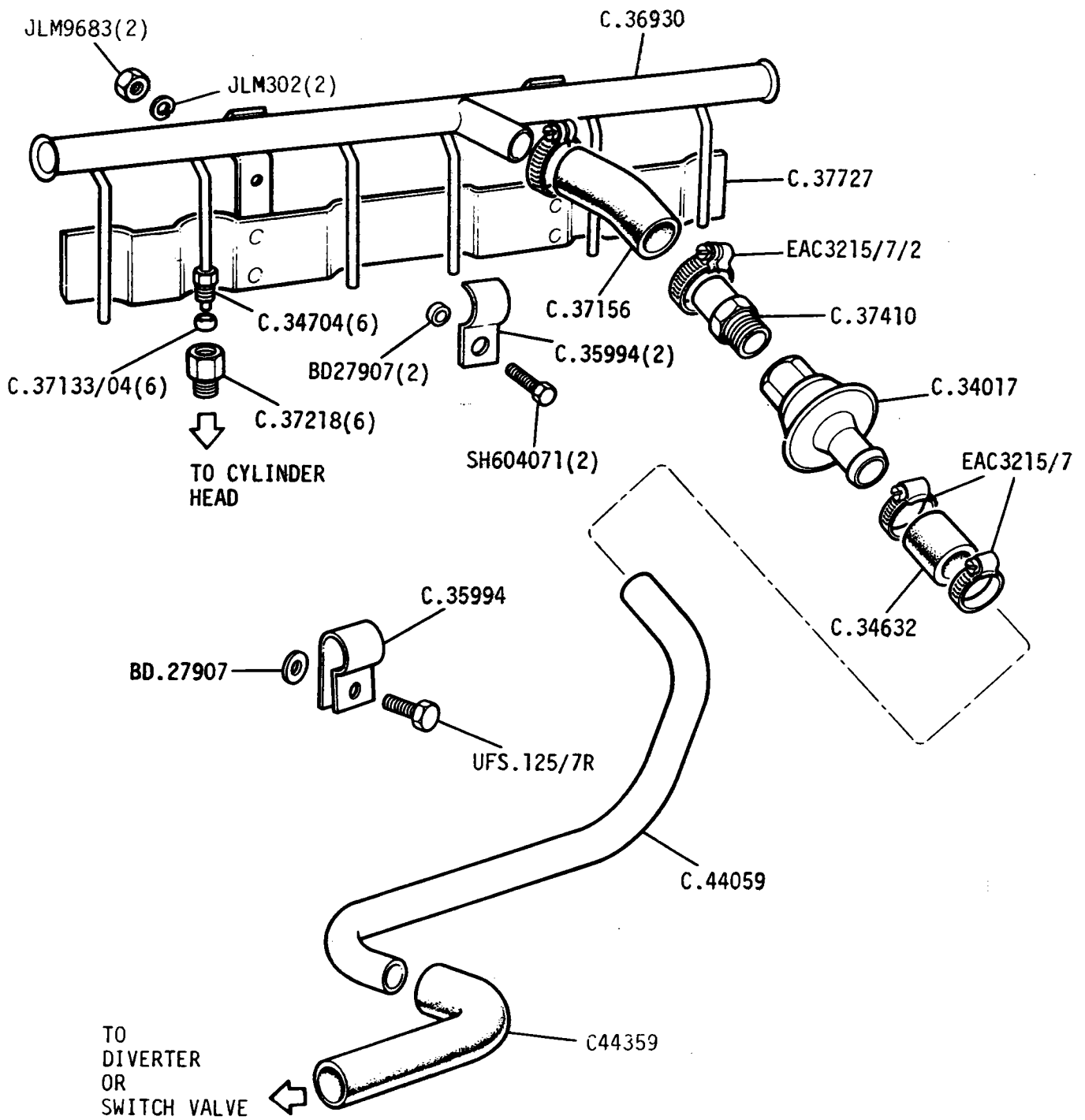


- ① Imperial Fixing → VIN349440
- ② Metric Fixing VIN349441 →

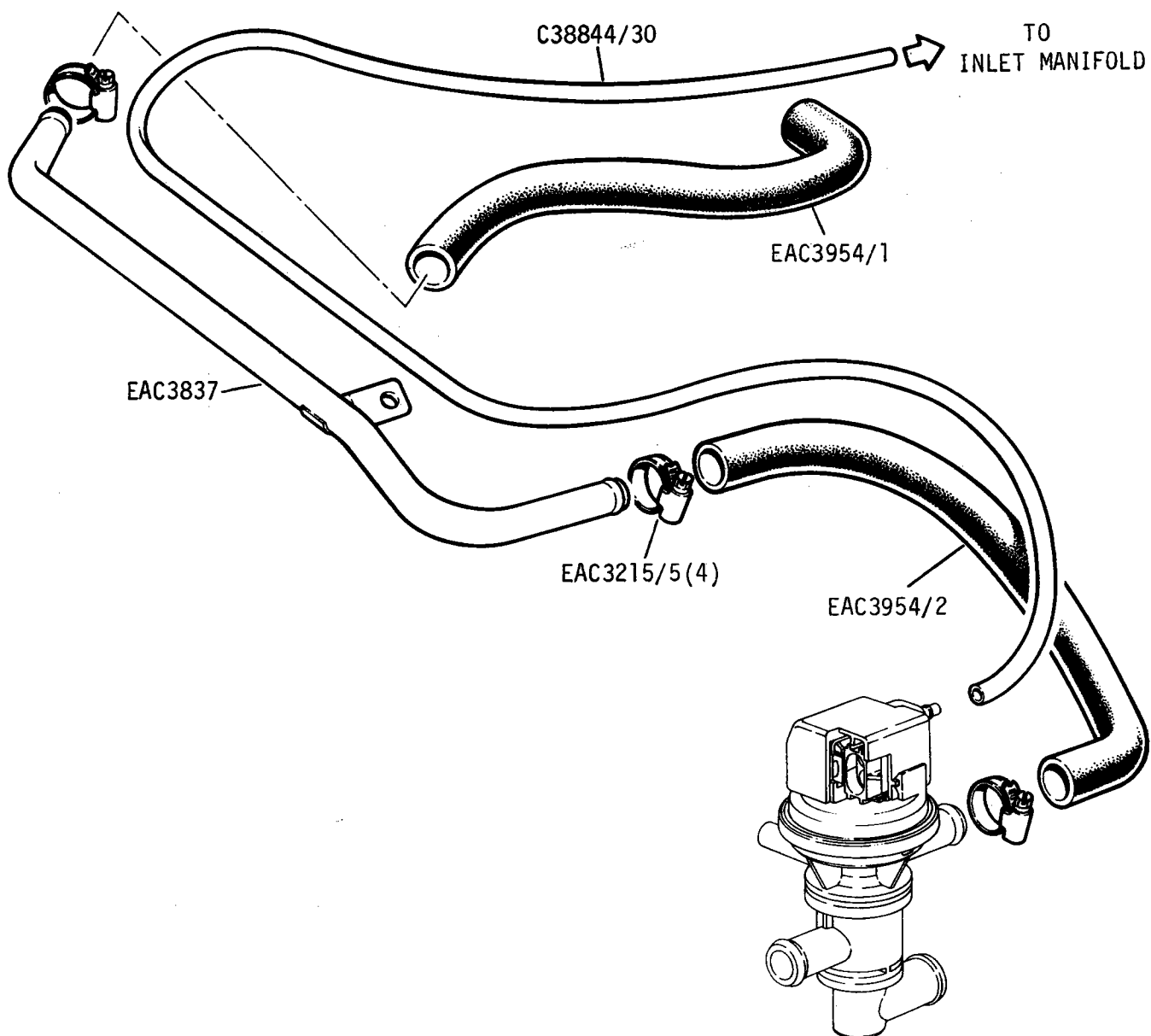
Jaguar XJ6 series 3  
 Daimler Sovereign series 3

1K 10L

GROUP H  
 FUEL/EXHAUST/EMISSION - Air Rail and Check Valve(4.2 litre - AUS/USA)



GROUP H  
FUEL/EXHAUST/EMISSION - Air Pipe and Hoses (4.2 LITRE - USA) ①



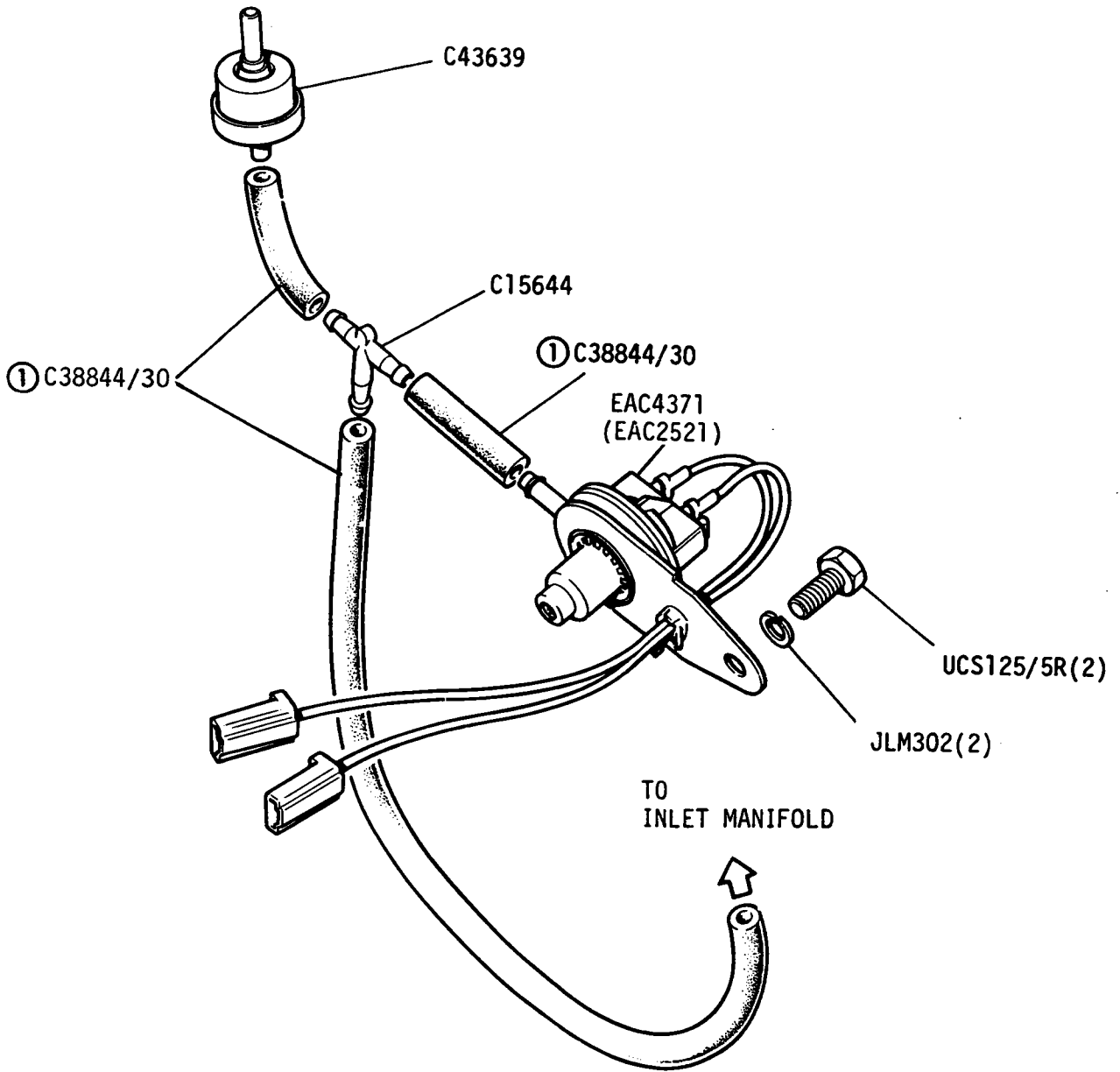
① Engines with Air Injection Pump

Jaguar XJ6 series 3  
Daimler Sovereign series 3

1K 11L

VS3033

GROUP H  
FUEL/EXHAUST/EMISSION - Throttle Control Vac Switch(4.2 Litre - Less USA)



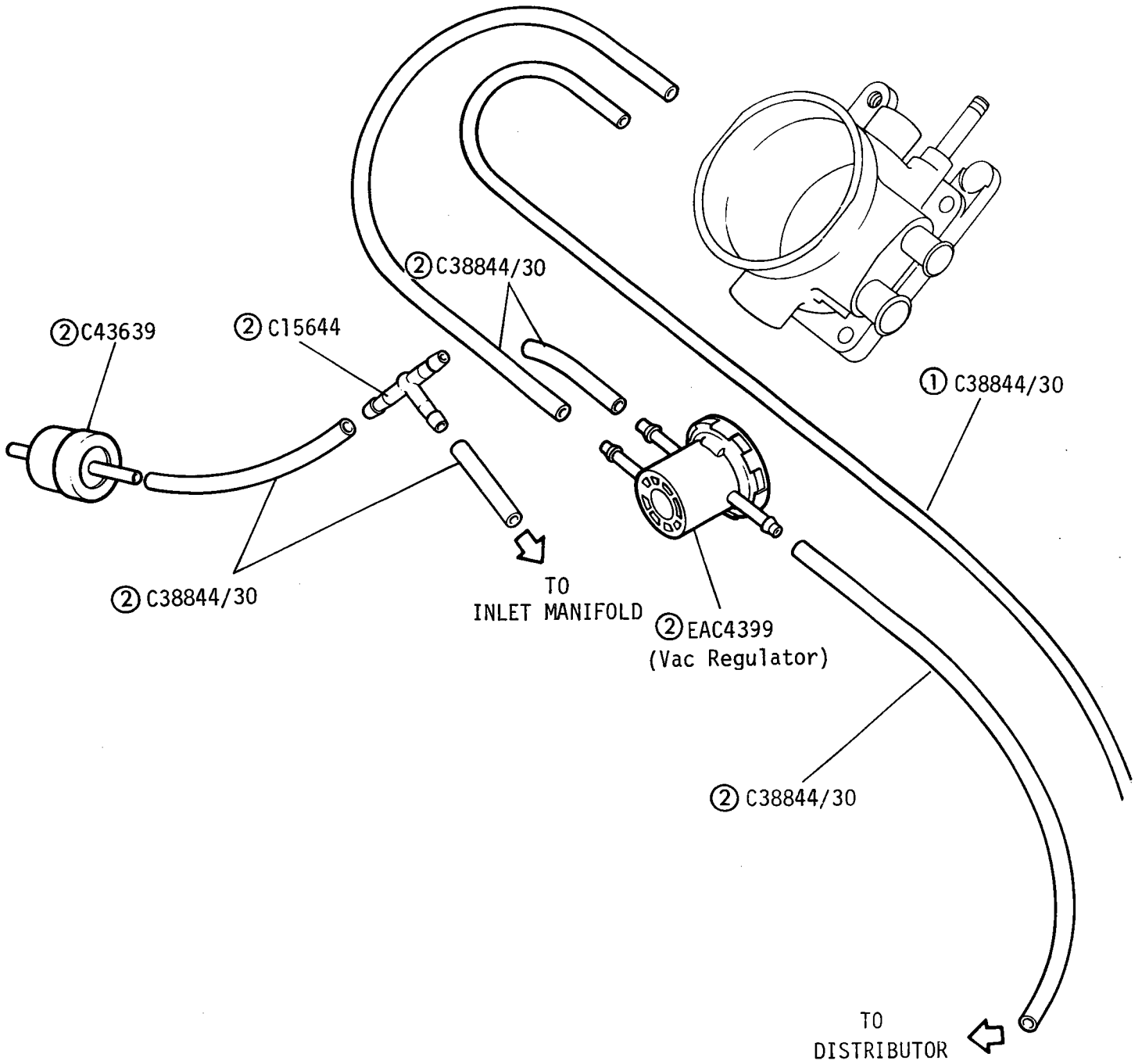
① Supplied in 63" lengths

Jaguar XJ6 series 3  
Daimler Sovereign series 3

1K 11R

VS1967

GROUP H  
 FUEL/EXHAUST/EMISSION - Distributor Vacuum System (4.2 LITRE)



Note:- C38844/30 Hose supplied in 63" lengths

① EUROPE

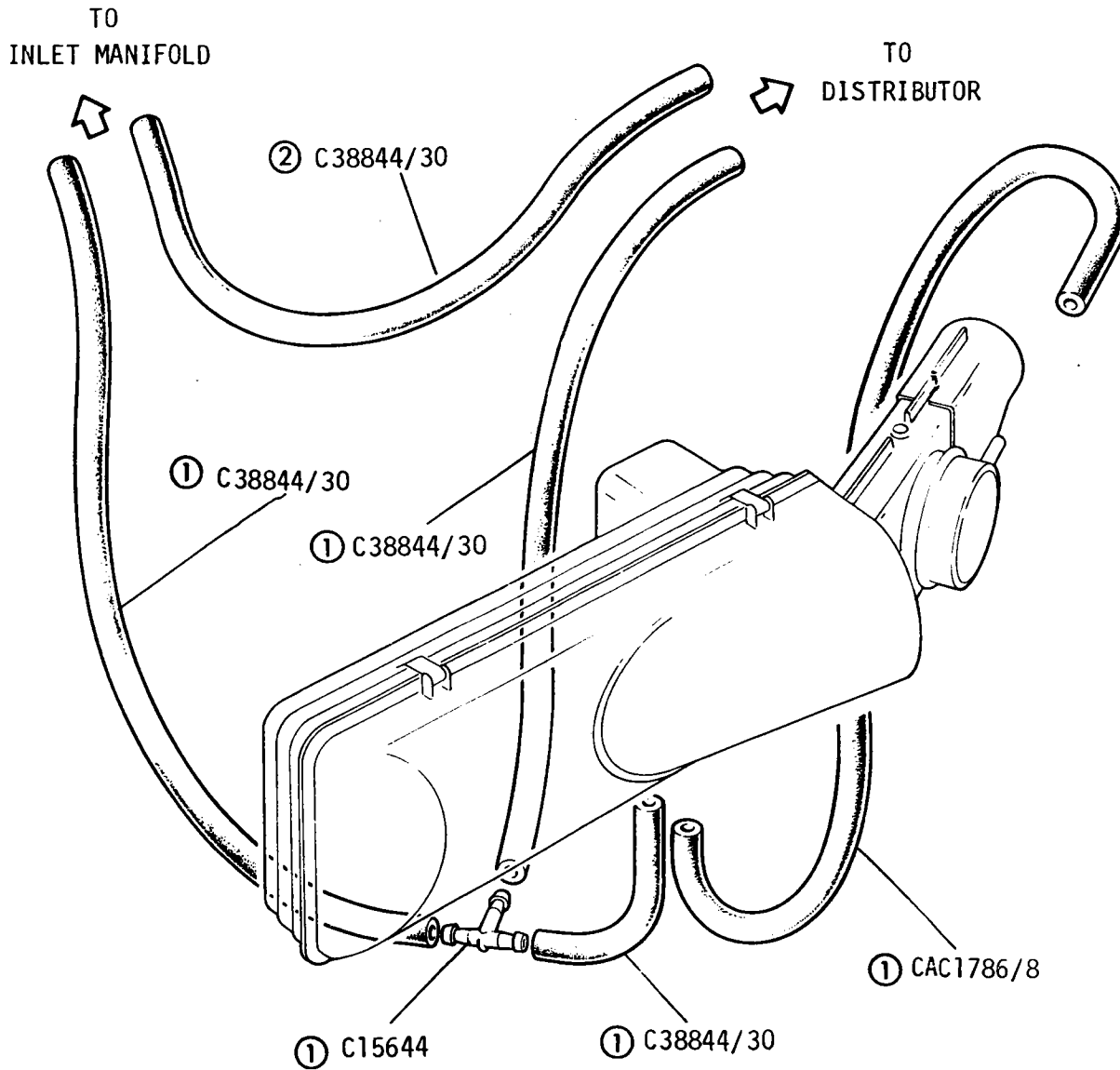
② USA

Jaguar XJ6 series 3  
 Daimler Sovereign series 3

1K 12L

VS 3599

GROUP H  
FUEL/EXHAUST/EMISSION - Distributor Vacuum Hoses(3.4 Litre only)  
Fitted from VIN337124 →



Note:-C38844/30 Hose supplied in 63" lengths

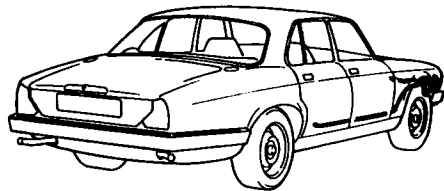
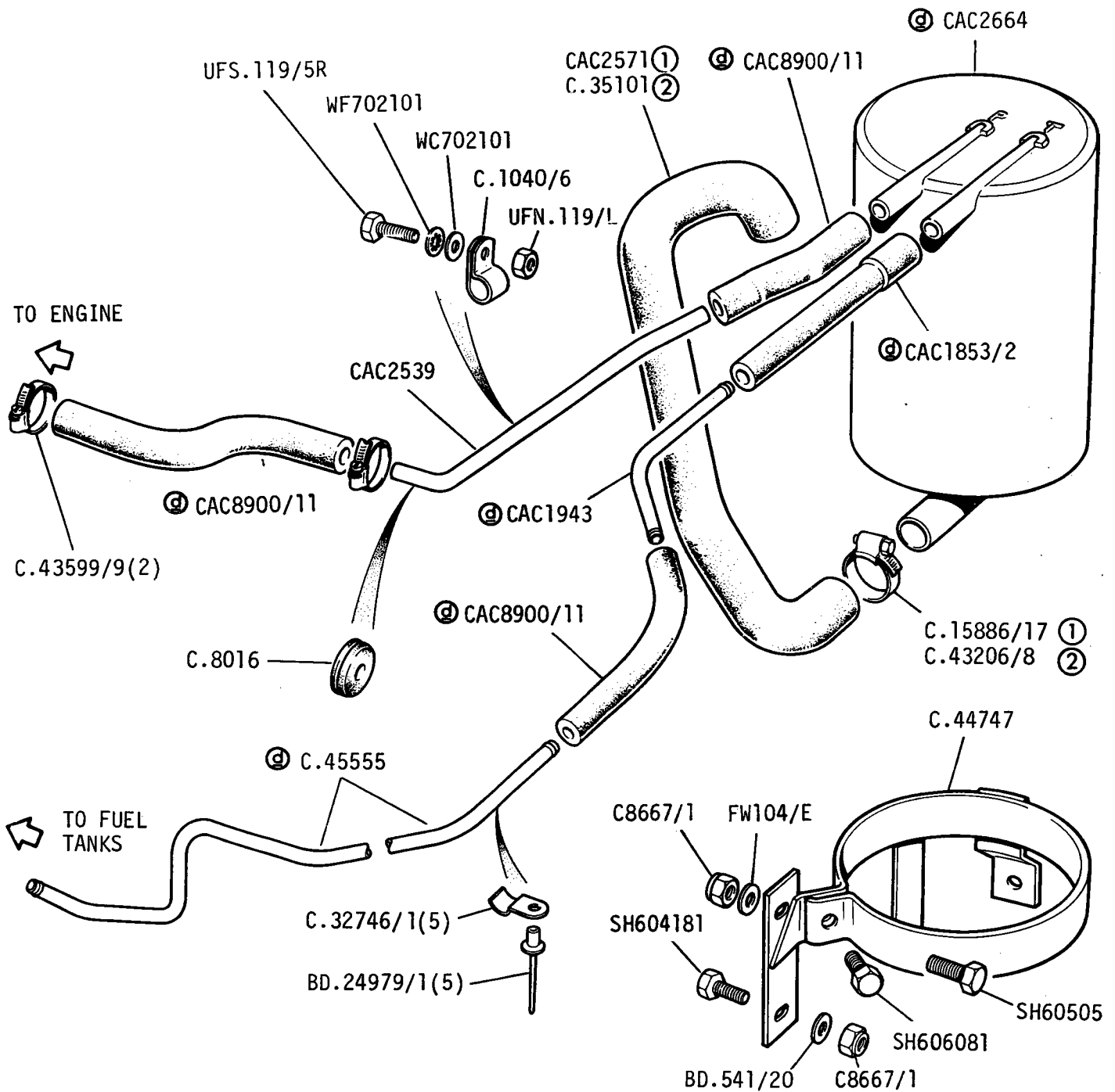
- ① When A.C. Delco Air Cleaner is fitted
- ② When Mann Hummel Air Cleaner is Fitted

Jaguar XJ6 series 3  
Daimler Sovereign series 3

1K 12R

VS 3649

GROUP H  
 FUEL SYSTEM - carbon cannister and vapour pipes - AUS/CDN/J/S/USA → ③



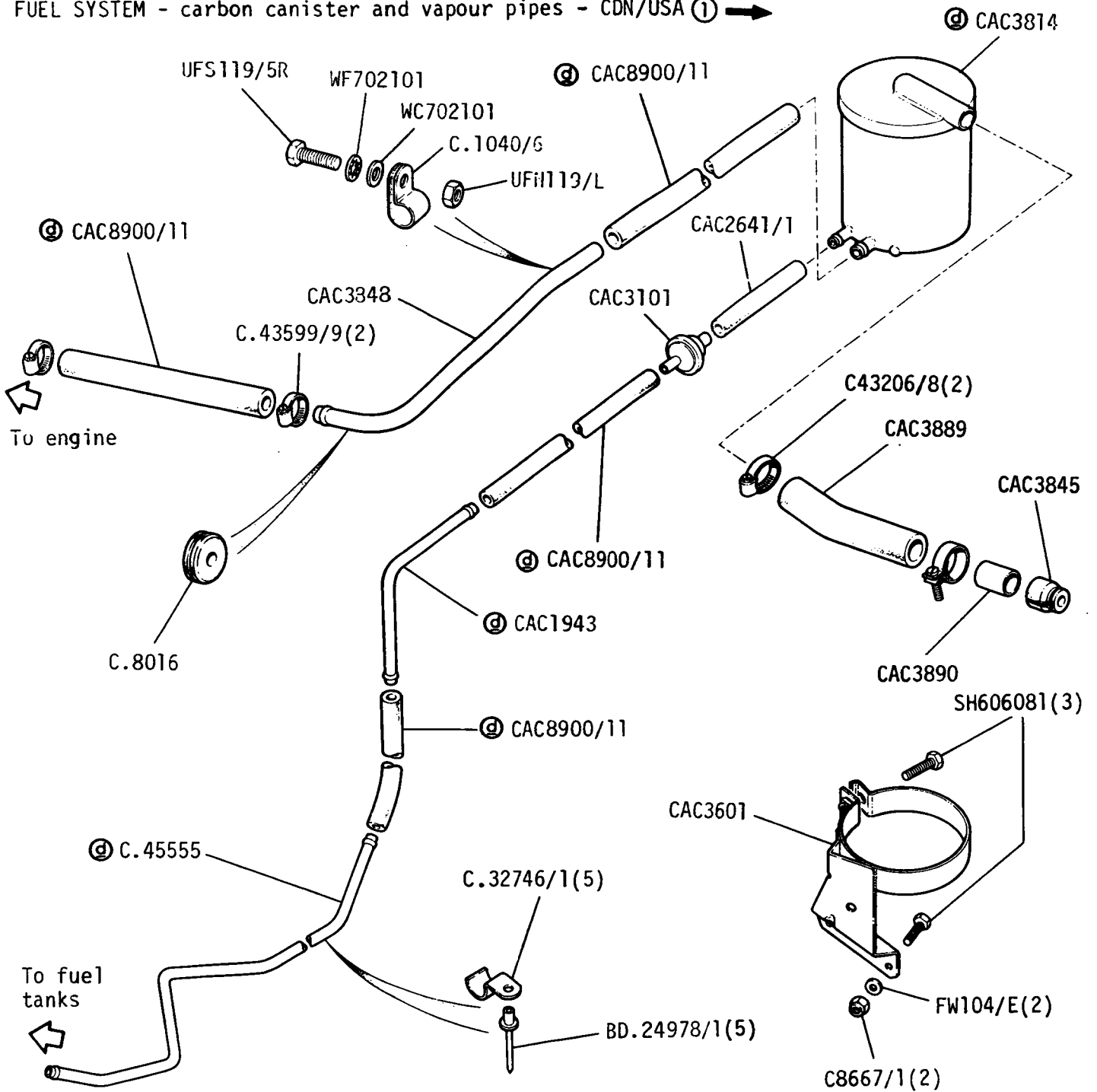
- ① CDN/USA
- ② AUS/J/S
- ③ VIN310612

Jaguar XJ6 series 3  
 Daimler Sovereign series 3

1K 13L

VS.1540

GROUP H  
 FUEL SYSTEM - carbon canister and vapour pipes - CDN/USA ① →



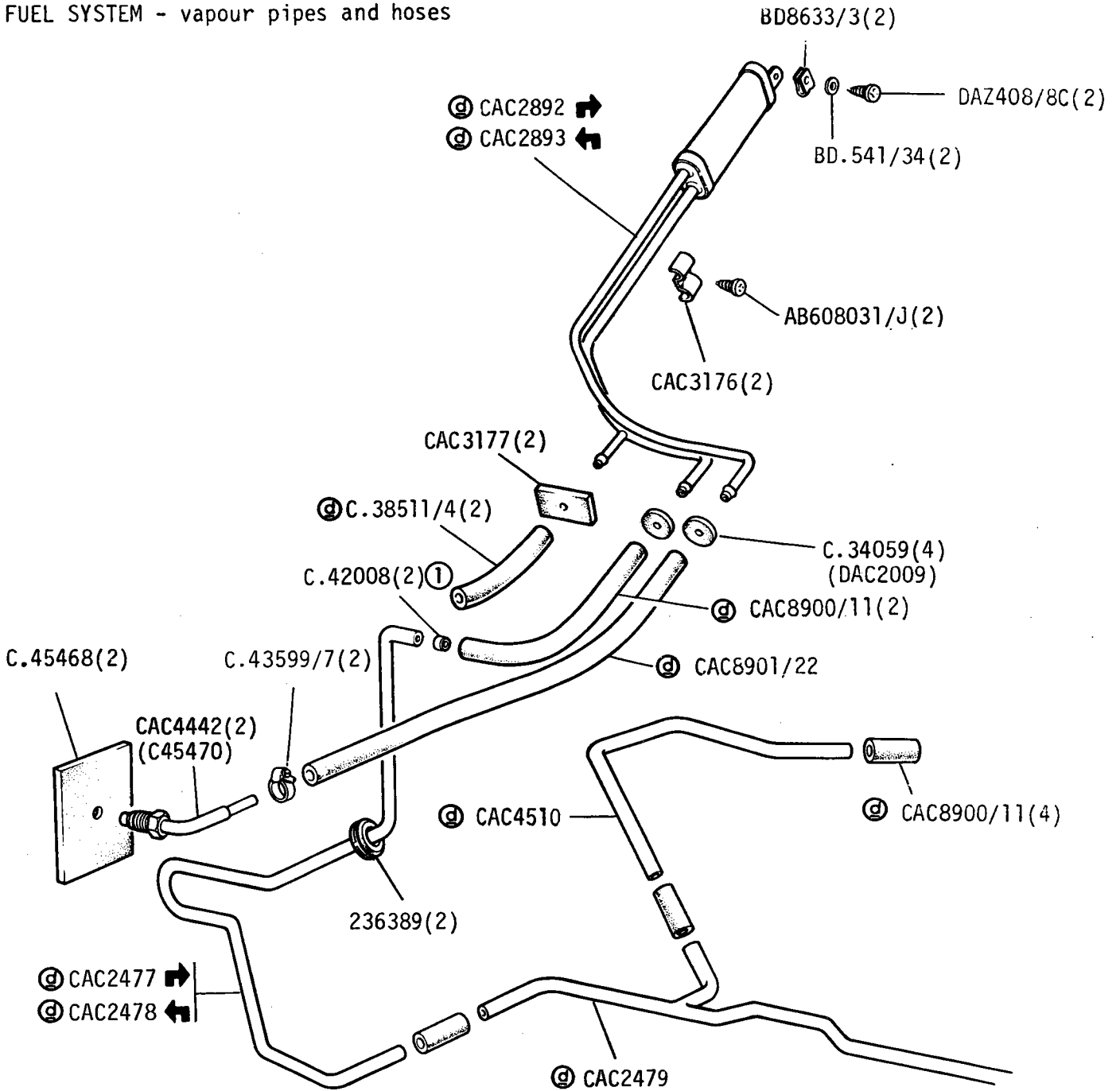
① VIN310613

Jaguar XJ6 series 3  
 Daimler Sovereign series 3

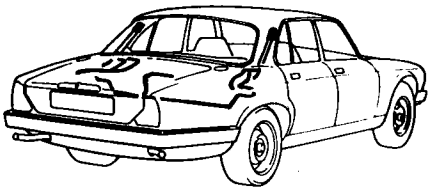
1K 13R

VS2018

GROUP H  
 FUEL SYSTEM - vapour pipes and hoses



① If required



Jaguar XJ6 series 3  
 Daimler Sovereign series 3

1K 14L

VS.1541