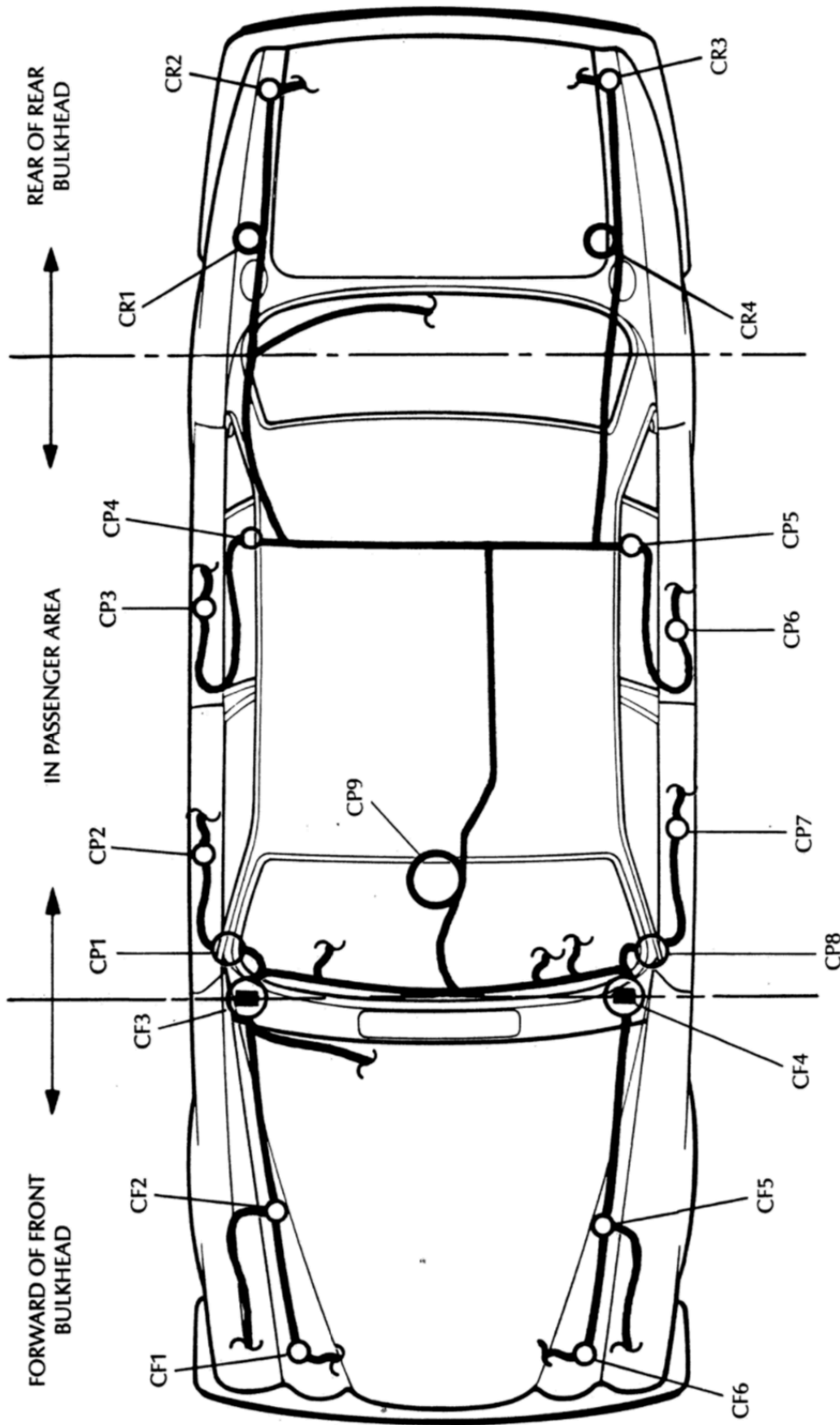


FIG. 1.1

HARNESS LAYOUT—CONNECTOR JUNCTION LOCATIONS (XJ6 III 4.2)



CF1 RIGHT FRONT CORNER  
 CF2 RIGHT FRONT INNER FENDER  
 CF3 RIGHT BULKHEAD  
 CF4 LEFT BULKHEAD  
 CF5 LEFT FRONT INNER FENDER  
 CF6 LEFT FRONT CORNER

CP1 RIGHT FRONT DOOR POST  
 CP2 INSIDE RIGHT FRONT DOOR  
 CP3 INSIDE RIGHT REAR DOOR  
 CP4 RIGHT REAR DOOR POST (UNDER SEAT)  
 CP5 LEFT REAR DOOR POST (UNDER SEAT)  
 CP6 INSIDE LEFT REAR DOOR  
 CP7 INSIDE LEFT FRONT DOOR  
 CP8 LEFT FRONT DOOR POST  
 CP9 CENTER CONSOLE

CR1 RIGHT REAR INNER FENDER (IN TRUNK)  
 CR2 RIGHT REAR CORNER  
 CR3 LEFT REAR CORNER  
 CR4 LEFT REAR INNER FENDER (IN TRUNK)