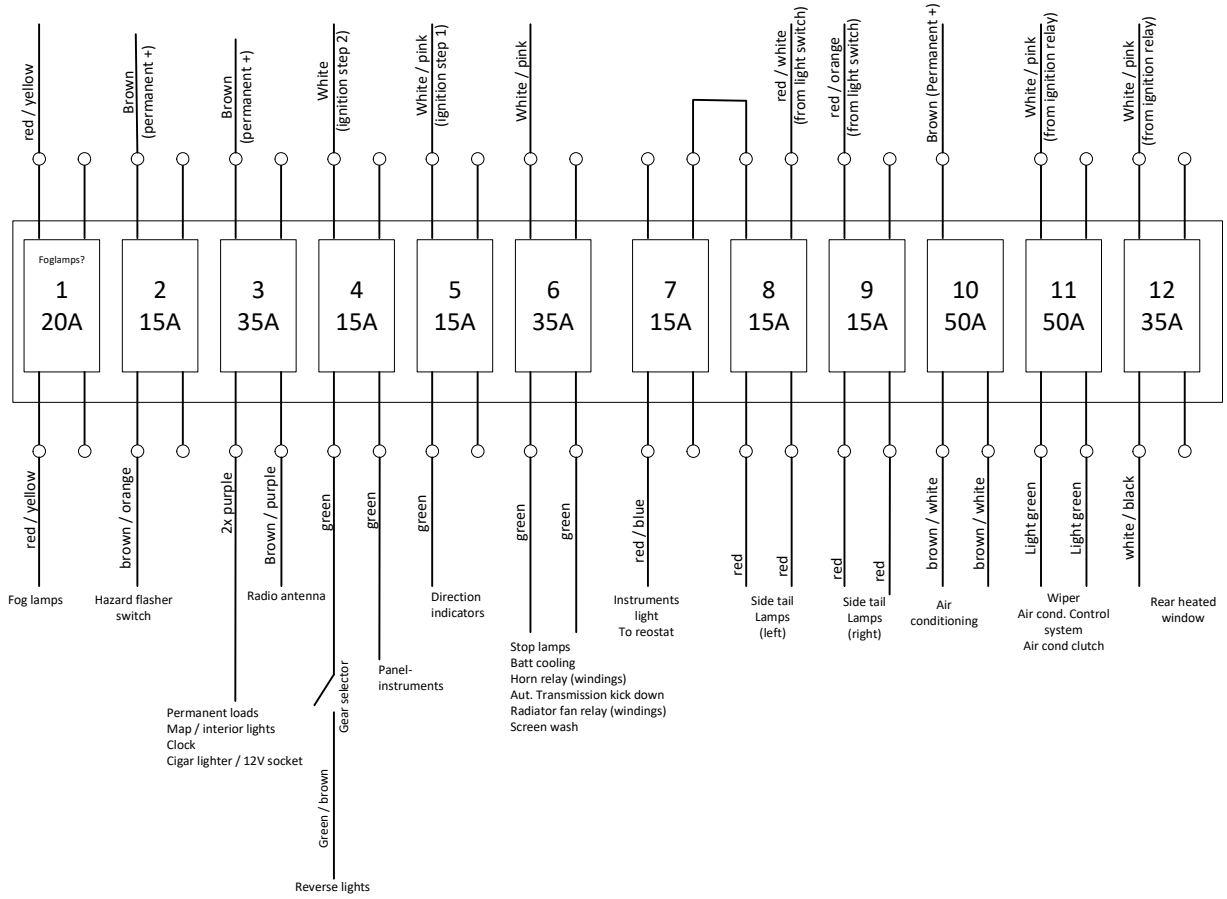
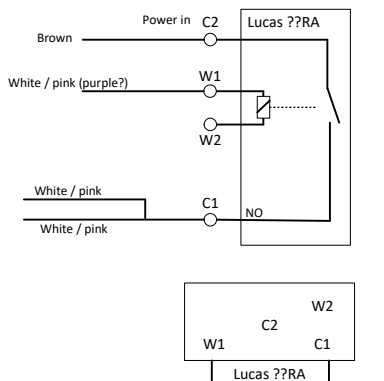


# Main fuse box

# Jaguar XJ12 Coupe 1976

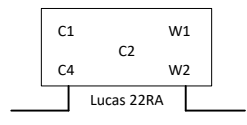
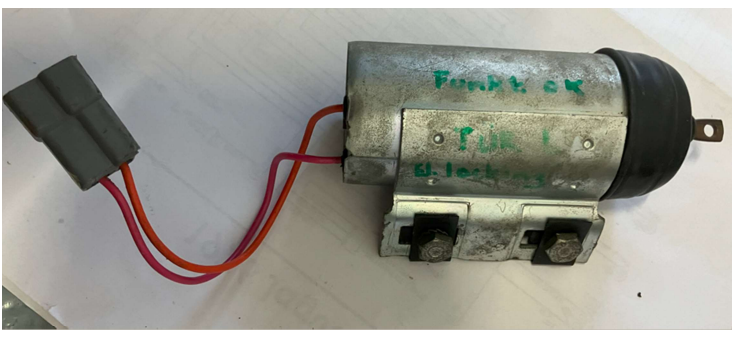
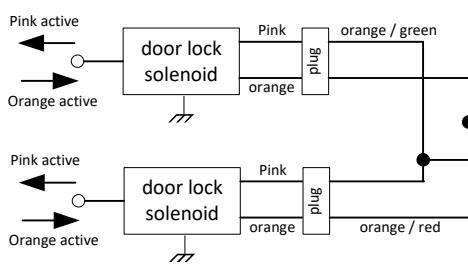
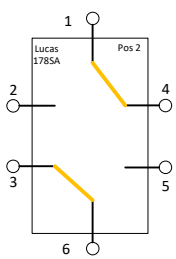
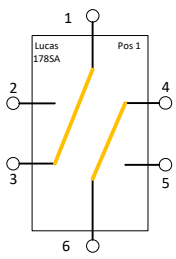
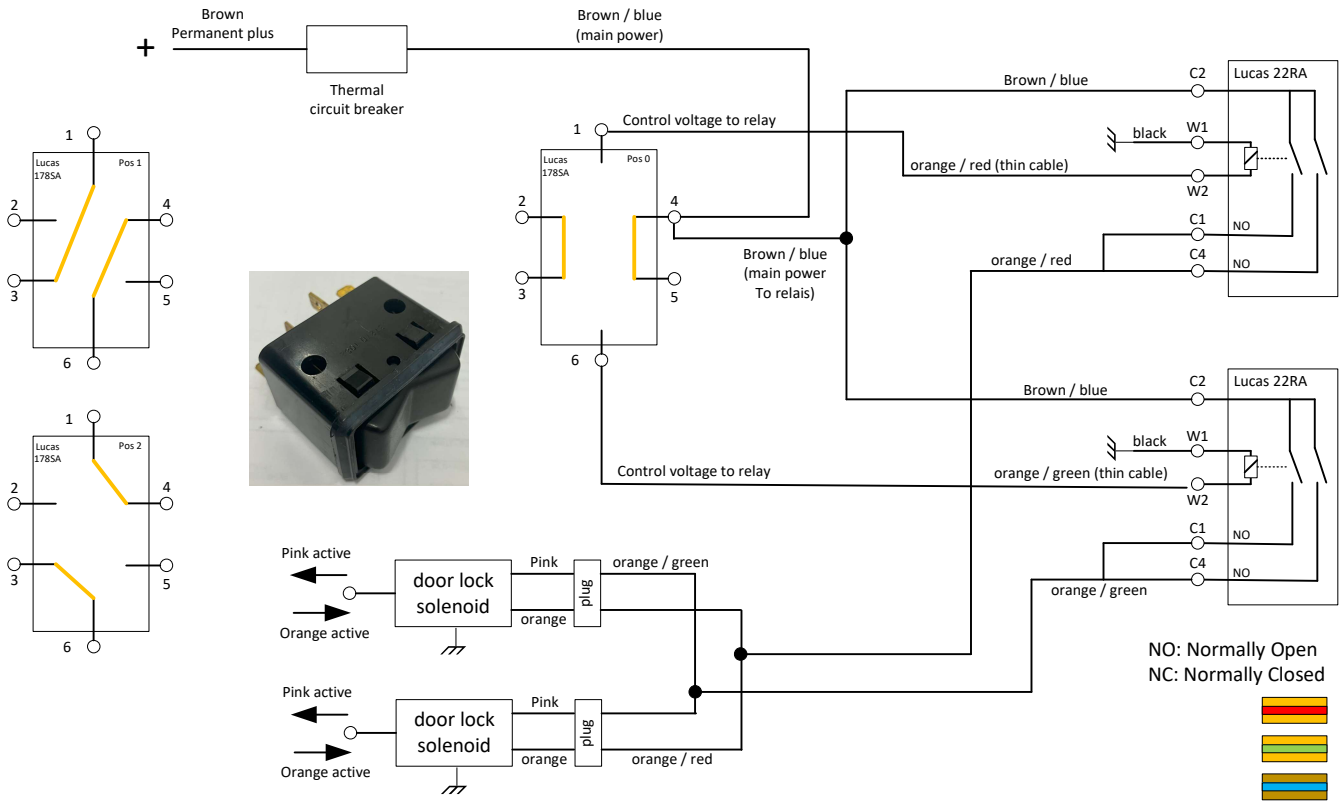


## Ignition relay



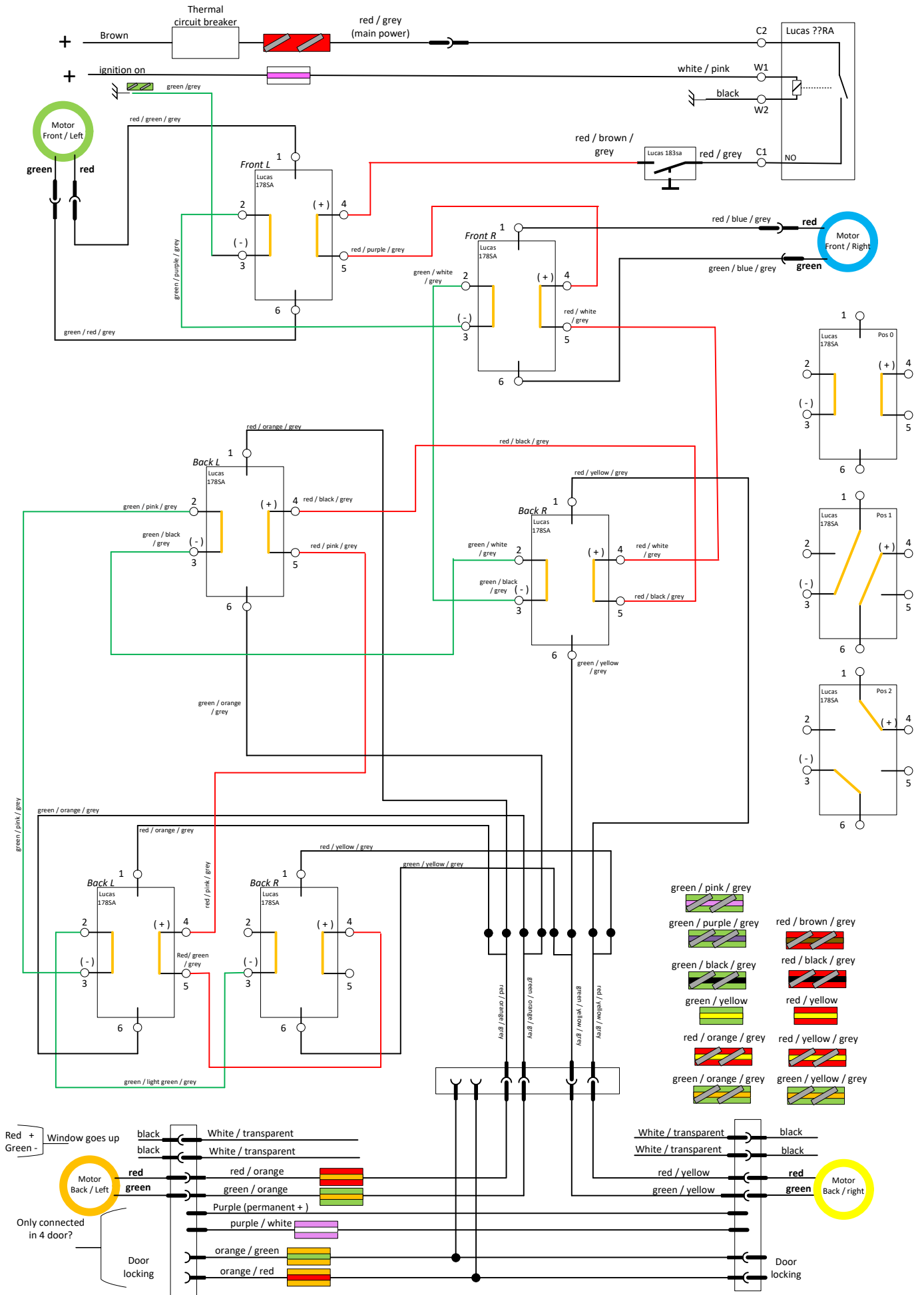
# Electrical door locks

# Jaguar XJ12 Coupe 1976



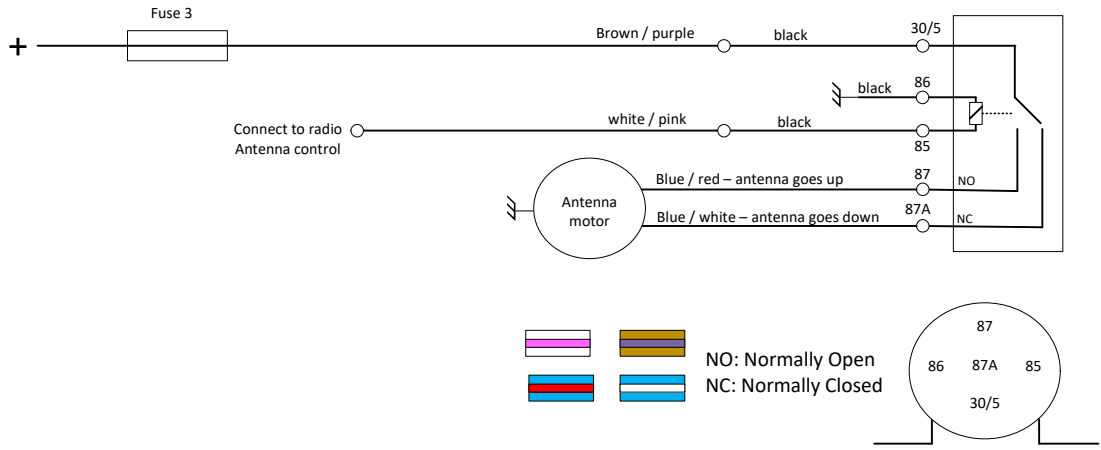
# Electrical windows

# Jaguar XJ12 Coupe 1976



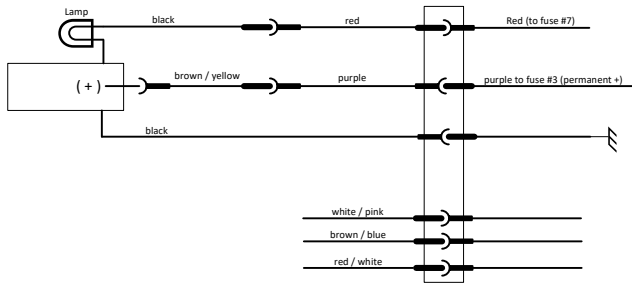
# Electrical radio antenna

# Jaguar XJ12 Coupe 1976



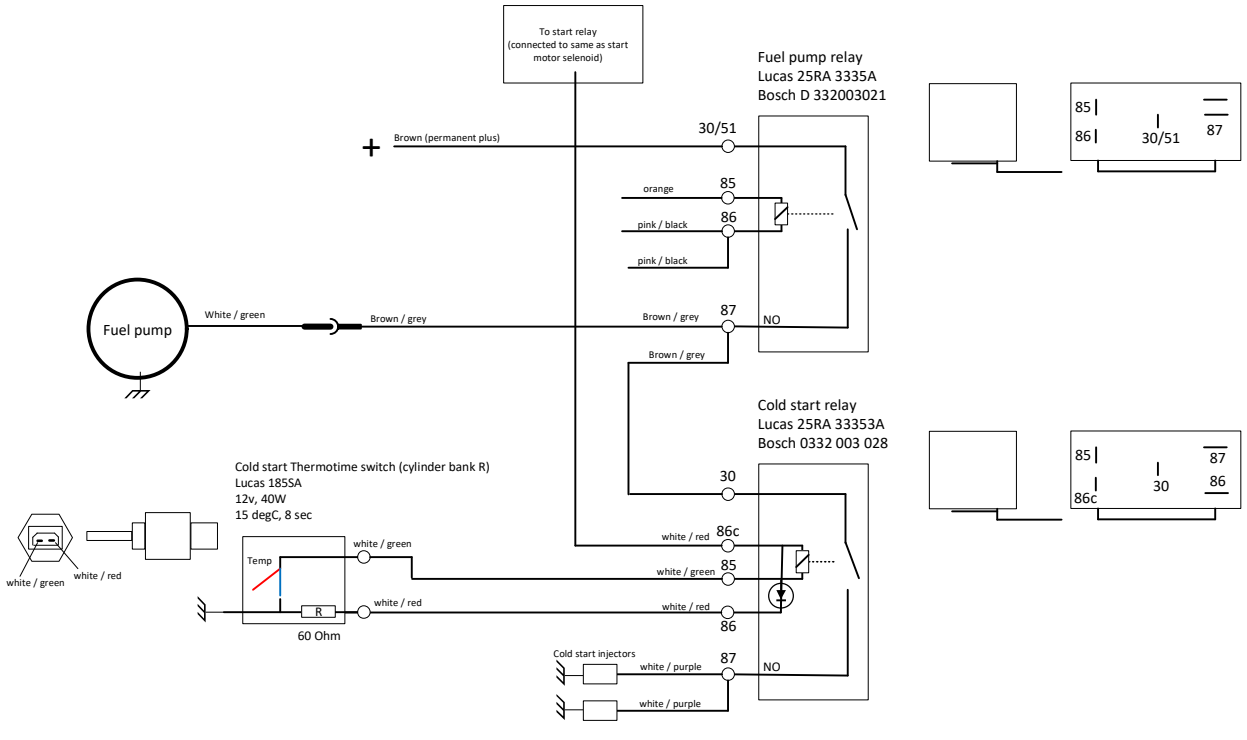
# Cigarette lighter / 12V socket

Jaguar XJ12 Coupe 1976

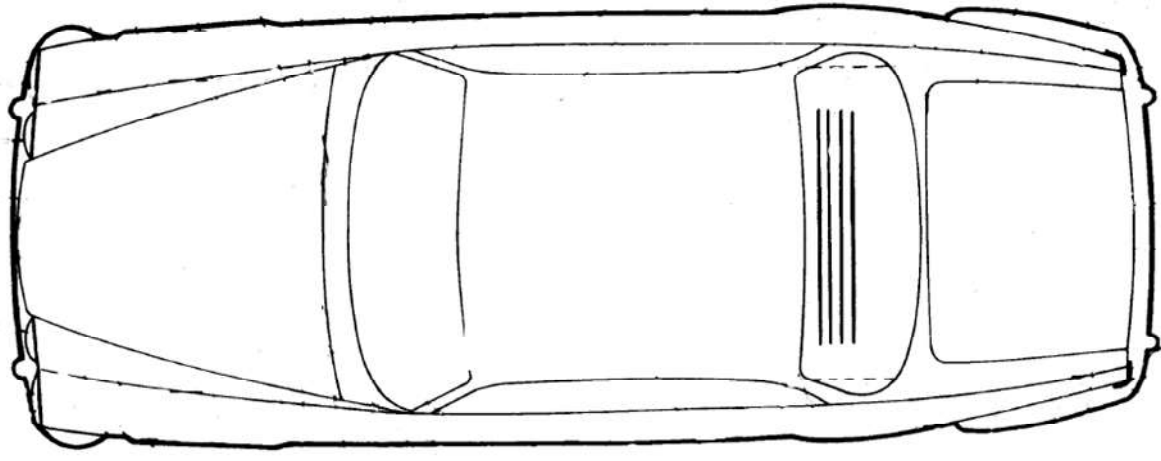
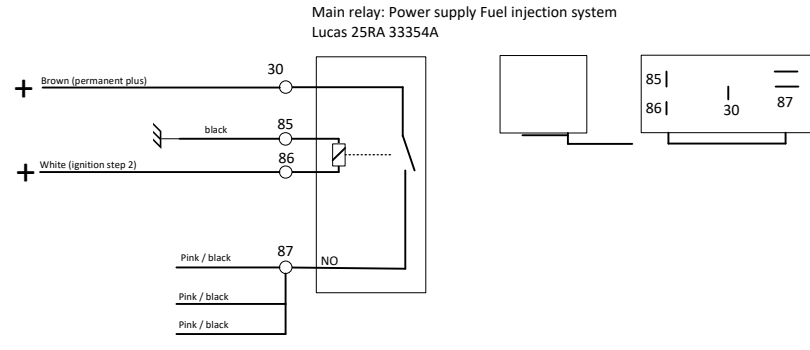


# Fuel injection system

# Jaguar XJ12 Coupe 1976

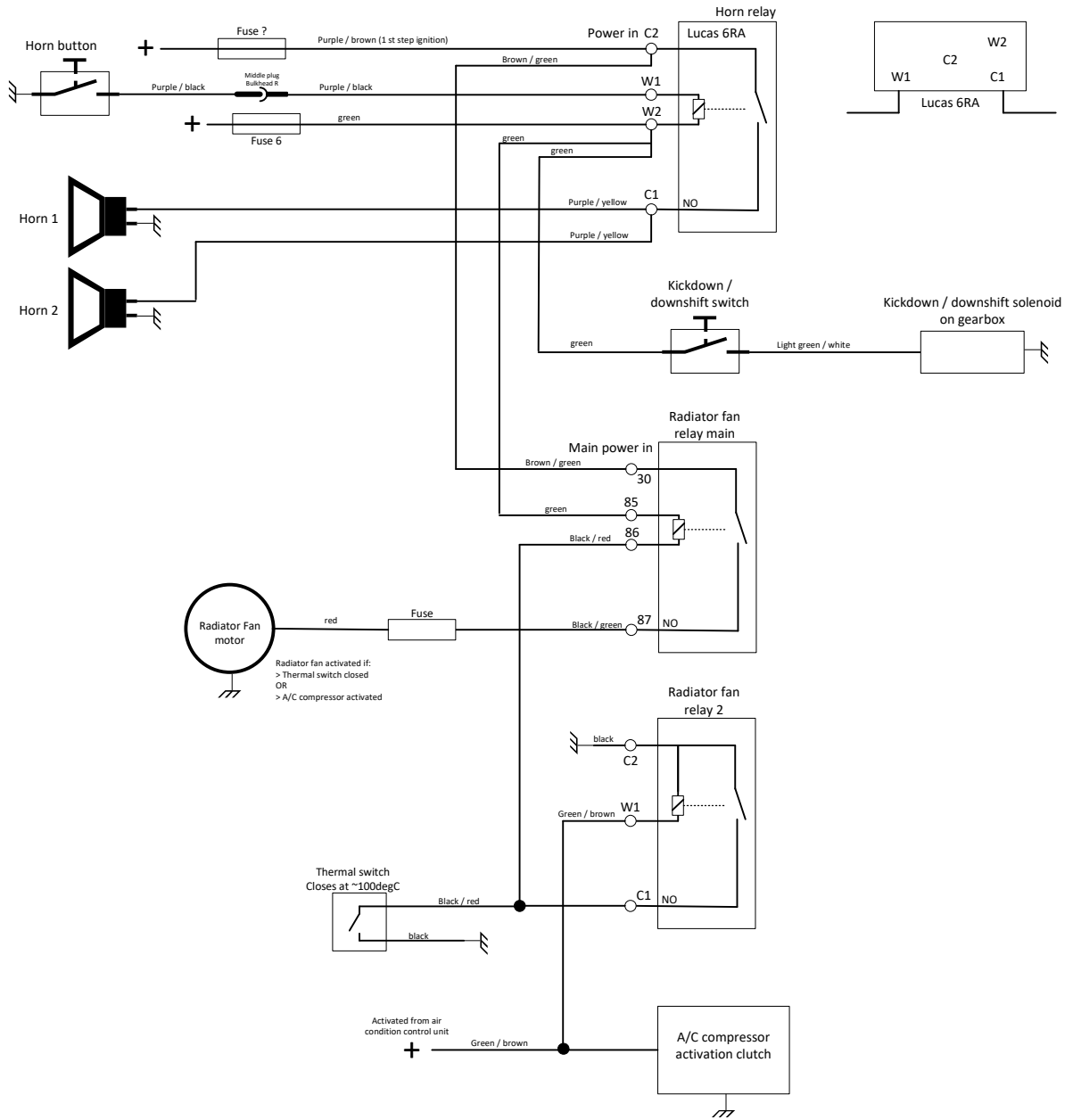


- Amplifier
- ECU
- MAP sensor
- Temp sensor  
Water – Cylinder bank L
- Temp sensor  
Air – Inlet manifold L



# Horn, radiator fan & Aut. Transmission kick down

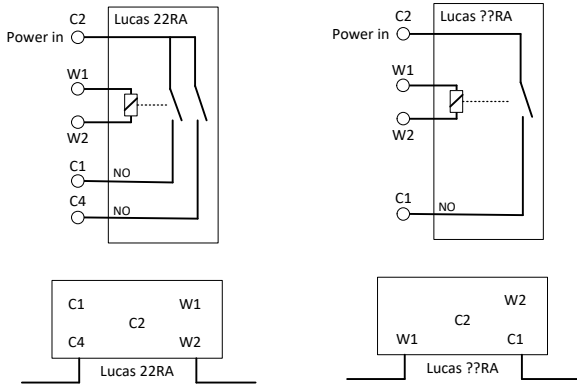
# Jaguar XJ12 Coupe 1976



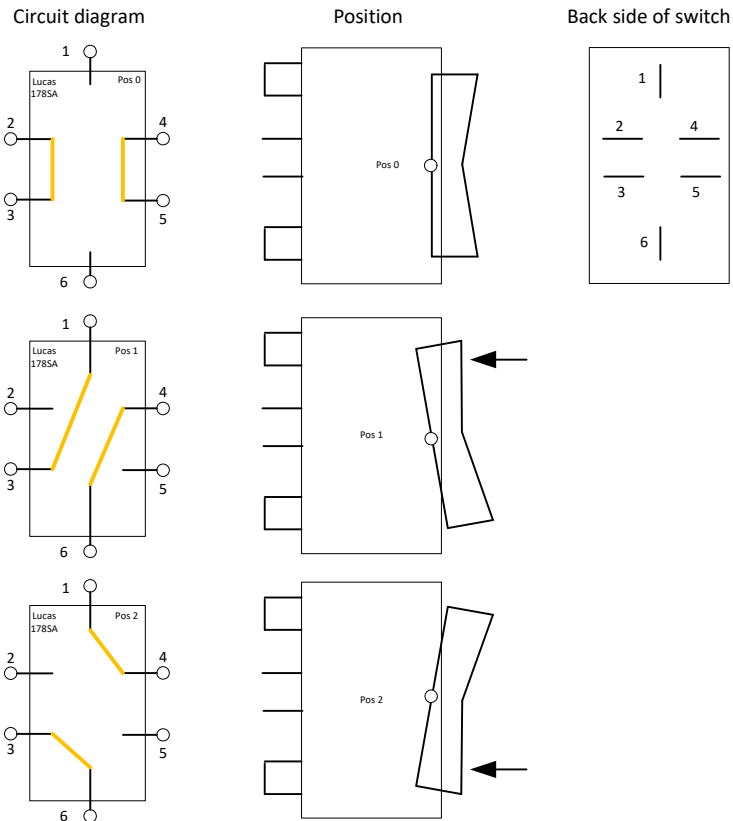
# Electrical components

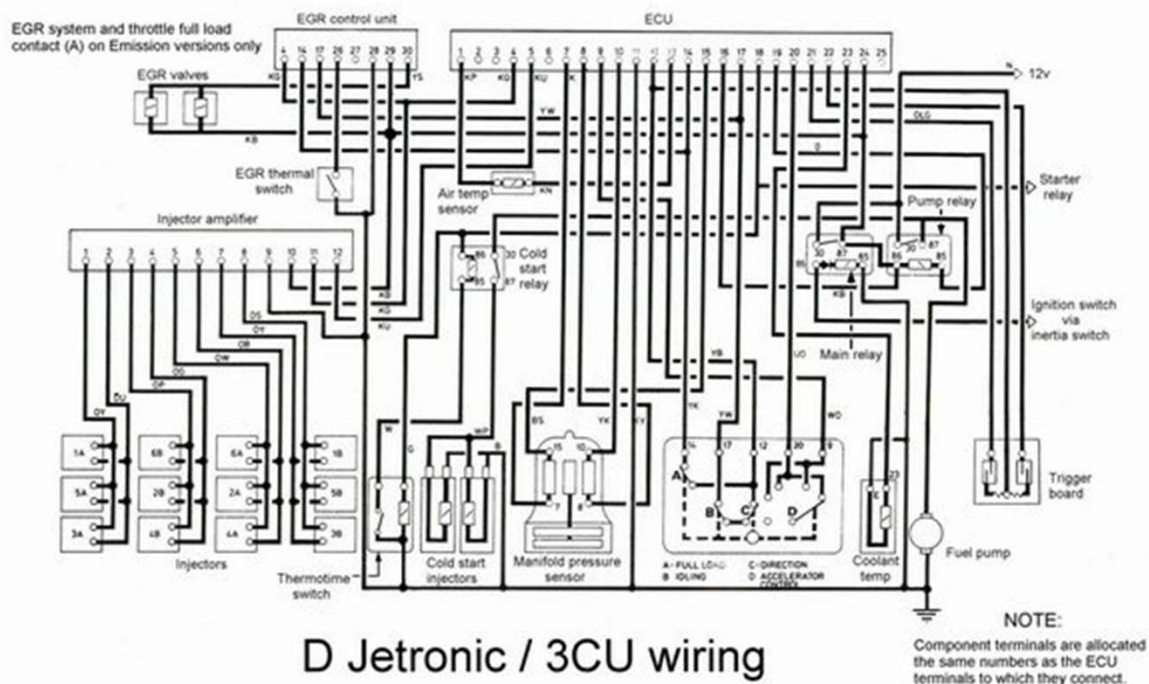
# Jaguar XJ12 Coupe 1976

NO: Normally Open  
NC: Normally Closed

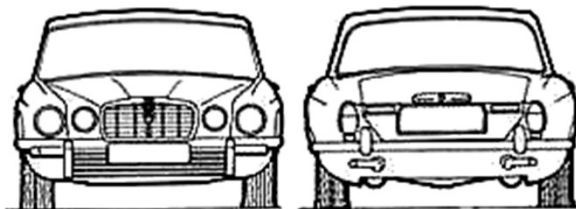
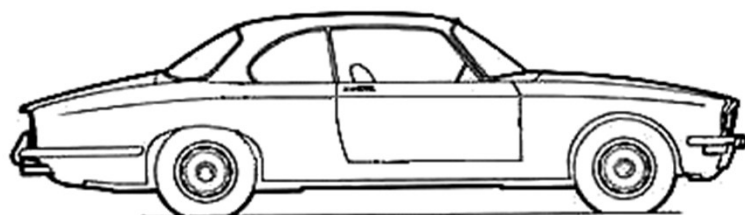


## Lucas toggle switch 178SA





## D Jetronic / 3CU wiring



Jaguar XJ6C  
Jaguar XJ12C

