

COMPONENT LOCATION — ENGINE COMPARTMENT

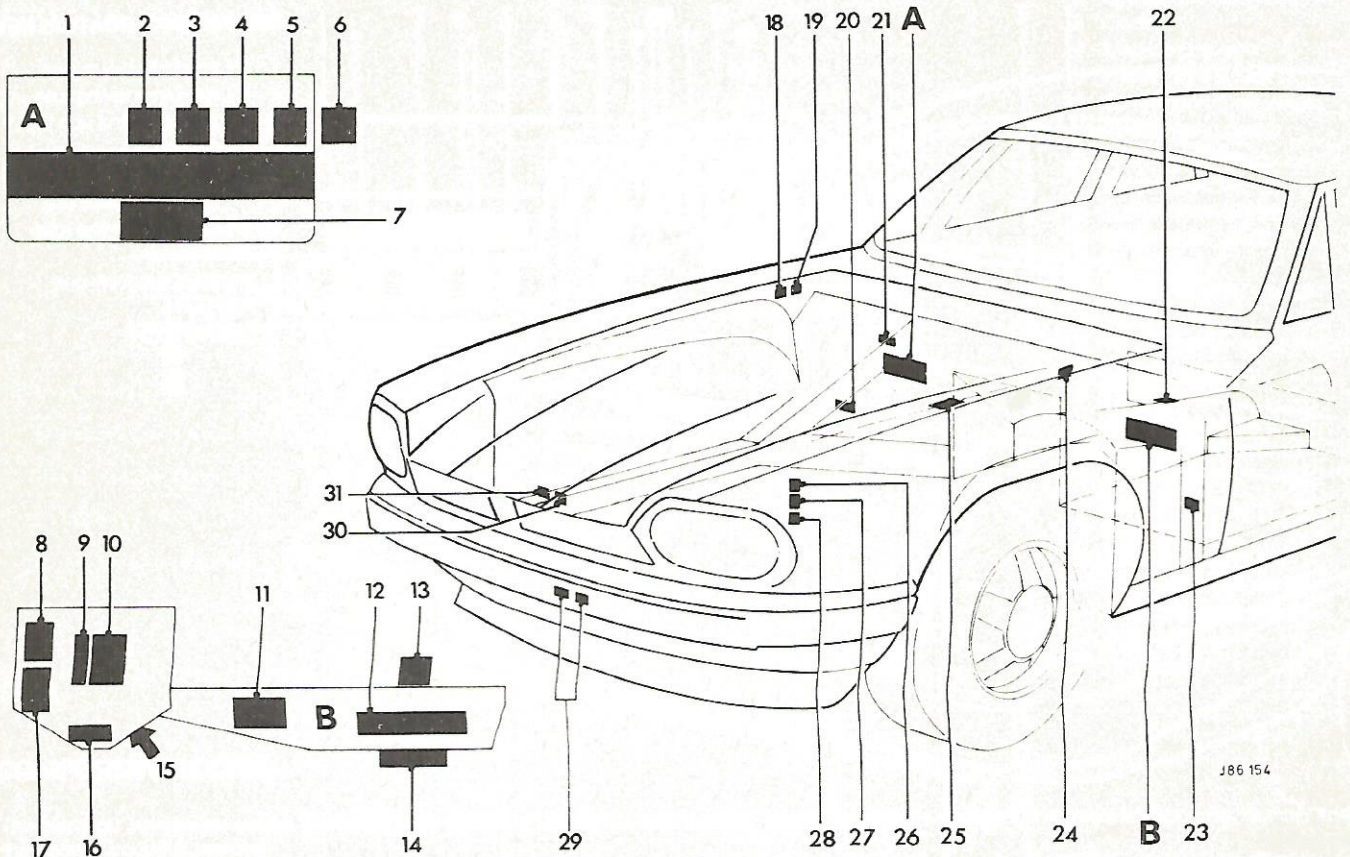


Fig. 1

COMPONENT LOCATION KEY (Fig. 1)

- | | |
|---|-------------------------------------|
| 1. Main fuse box | } Component Panel-A Drivers Side |
| 2. Heated rear screen delay unit | |
| 3. Headlamp inhibit relay | |
| 4. Ignition protection relay | |
| 5. Warning light bulb check unit | |
| 6. Direction indicator flasher unit | |
| 7. Voltage over-charge warning light unit | |
| 8. Door lock thermal circuit breaker | } Component Panel-B Passengers Side |
| 9. Low coolant warning light control unit | |
| 10. Vacuum delay unit | |
| 11. Interior light delay unit | |
| 12. Auxiliary fuse box | |
| 13. Windscreen wiper delay unit | |
| 14. Speed control unit (if fitted) | |
| 15. Window lift relay | |
| 16. Front parking lamp bulb failure unit | |
| 17. Window lift thermal circuit breaker | |
| 18. Cold start relay | |
| 19. Starter relay | |
| 20. Door lock relay | |
| 21. Main fuse box | |
| 22. Stop lamp bulb failure unit | |
| 23. Door unlock relay | |
| 24. Cooling fan diode pack | |
| 25. Headlamp fuse box | |
| 26. Headlamp relay | |
| 27. Horn relay | |
| 28. Cooling fan relay | |
| 29. Horns | |
| 30. Headlamp wash/wipe relay | |
| 31. Headlamp wash/wipe diode pack | |

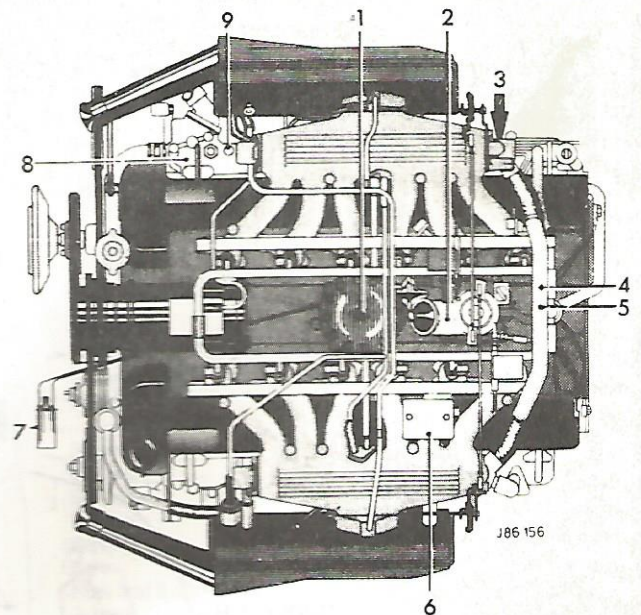


Fig. 2

COMPONENT LOCATION KEY (Fig. 2)

- | | |
|-----------------------------|------------------------------------|
| 1. Distributor | 5. Oil pressure warning switch |
| 2. Main HT coil | 6. Amplifier |
| 3. Starter motor | 7. Auxilliary HT coil |
| 4. Oil pressure transmitter | 8. Alternator |
| | 9. Coolant temperature transmitter |