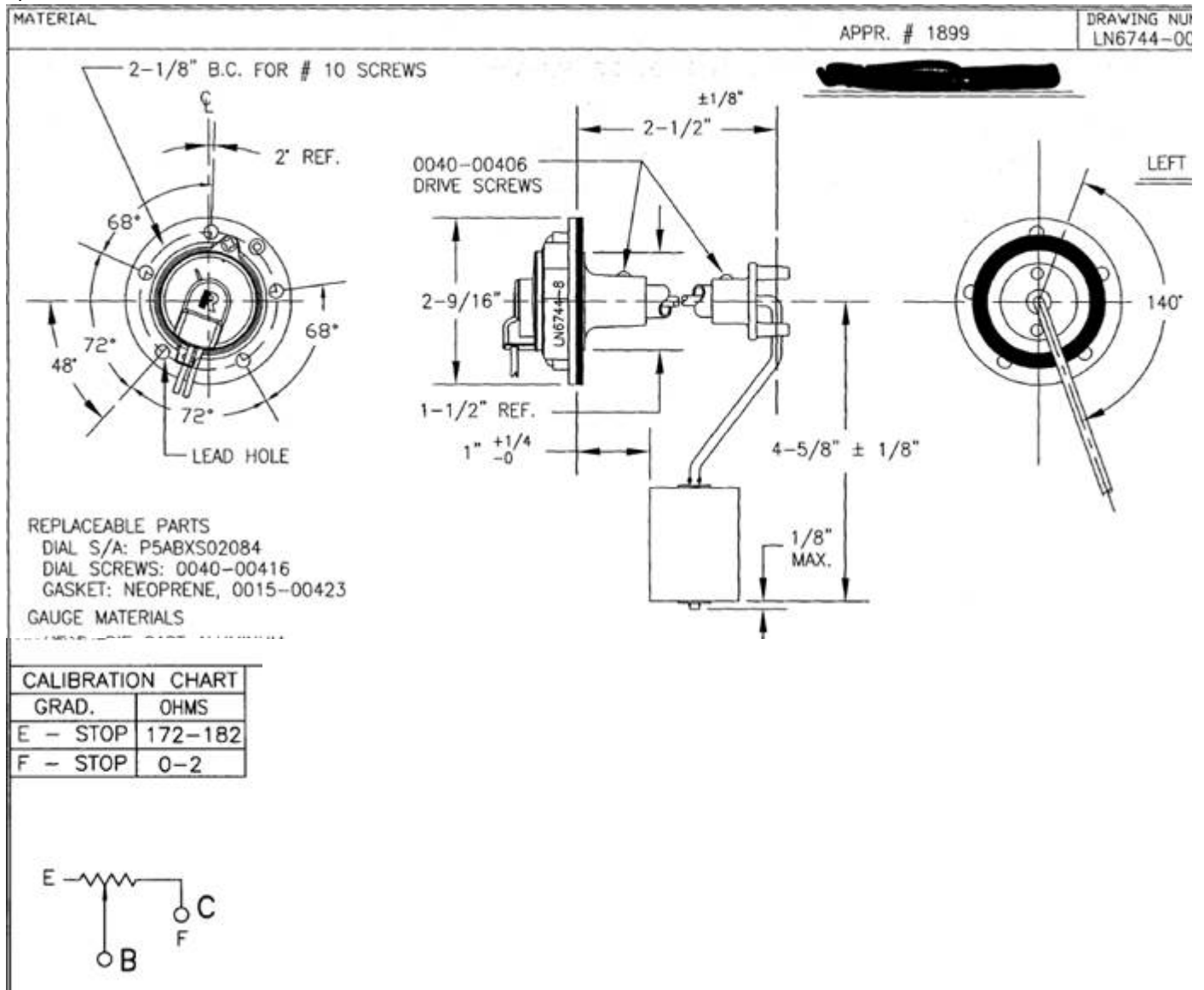


Didaktik s.r.o.

Od: Suzanne Davis <sdavis@RochesterGauges.com> za uživatele Customer Service <customerservice@RochesterGauges.com>
Odesláno: 21. října 2015 18:57
Komu: didaktik@didaktik.cz
Kopie: Cedric Jottard
Předmět: RE: Fuel tank gauges

it might just be the dial that needs to be replaced. dial P/N 5ABXs02084P
 If the float moves freely and the rest of the gauge is intact but the dial is not working then it is probably just the dial.
 I have copied my Belgium office in case you want to purchase any of these.

P/N 6744-00008LN



Regards,

Suzanne Davis
 Customer Service Supervisor

DIRECT: 972-280-8482

FX: 972-620-3374
sdavis@rochestergauges.com

PLEASE SEND CORRESPONDENCE TO:
Purchase Orders to orders@rochestergauges.com
Info, quotes, status, etc to status@rochestergauges.com

-----Original Message-----

From: Didaktik s.r.o. [<mailto:iska@didaktik.cz>]

Sent: Monday, October 19, 2015 5:12 PM

To: Customer Service

Subject: Fuel tank gauges