

KEY TO DIAGRAM

- 1 Warning light failure unit
- 2 Reservoir brake switch
- 3 PDWA
- 4 Brake warning lamp
- 5 Oxygen warning lamp
- 6 Handbrake warning lamp
- 7 To ignition switch
- 8 To bulb failure warning lamp via blocking diode
- 9 Handbrake switch
- 10 To footbrake switch
- 11 LH stop lamp
- 12 RH stop lamp
- 13 Stop lamp bulb failure unit

WARNING LIGHT FAILURE UNIT

Description
When the starter motor is activated a voltage supply to the warning light failure unit switches a transistor circuit to earth which completes the circuit of the oxygen warning lamp, brake warning lamp, and the handbrake warning lamp, causing the lamps to glow. This indicates that the warning lamps are operating satisfactorily. A failure of a warning lamp should be investigated immediately.

Fault Finding

To test the warning light failure unit, switch the ignition on and short terminal 1 of the brake light failure unit to earth. The oxygen sensor warning lamp should glow. Should the warning lamp fail to glow check the warning lamp bulb, and the warning lamp supply voltage. Repeat the test at terminal 2 for the handbrake warning lamp, and terminal 3 for the brake warning lamp. If the above checks prove satisfactory replace the failure unit.

STOP LAMP BULB FAILURE UNIT

Fault Finding

To test the stop lamp failure unit switch on the parking lamps. The bulb failure warning lamp should glow for 30 seconds this proves the warning lamp is satisfactory. Switch off the ignition on and switch the ignition on. Remove a stop lamp bulb, release the handbrake, and depress the foot brake. The warning lamp should glow. Should the warning lamp fail to glow replace the bulb failure unit.

Description

The stop lamps are supplied with current via a bulb failure unit. Should the bulb failure warning lamp glow with the master light switch off, the ignition switched on, the handbrake released, and the foot brake depressed, a circuit fault or a faulty bulb is indicated.

WARNING LIGHT FAILURE UNIT AND STOP LAMP BULB FAILURE UNIT

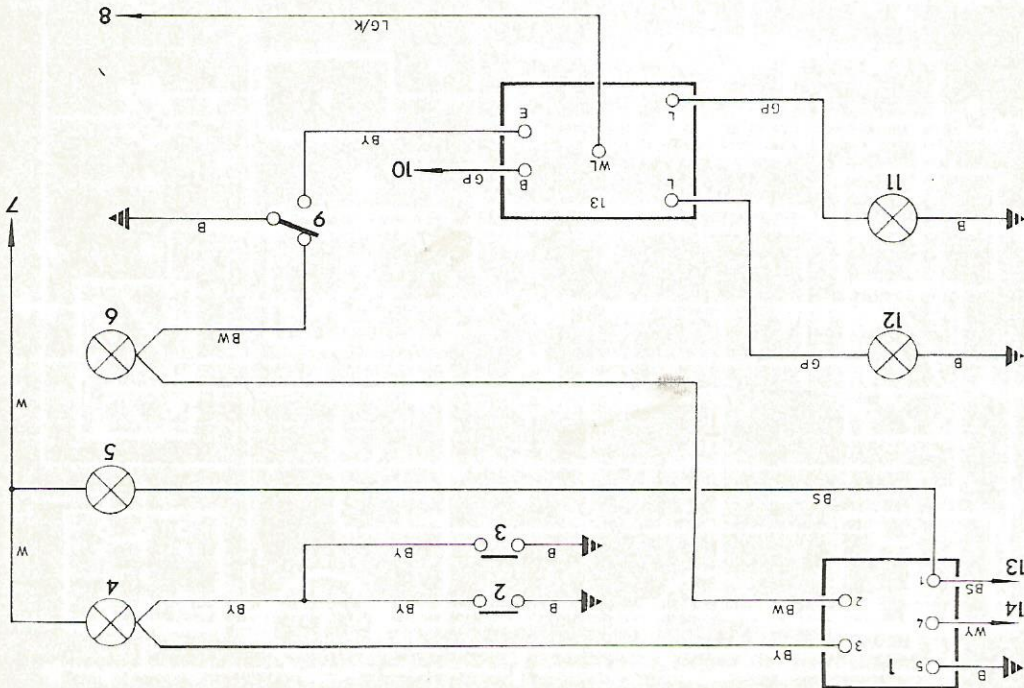


Fig. 22