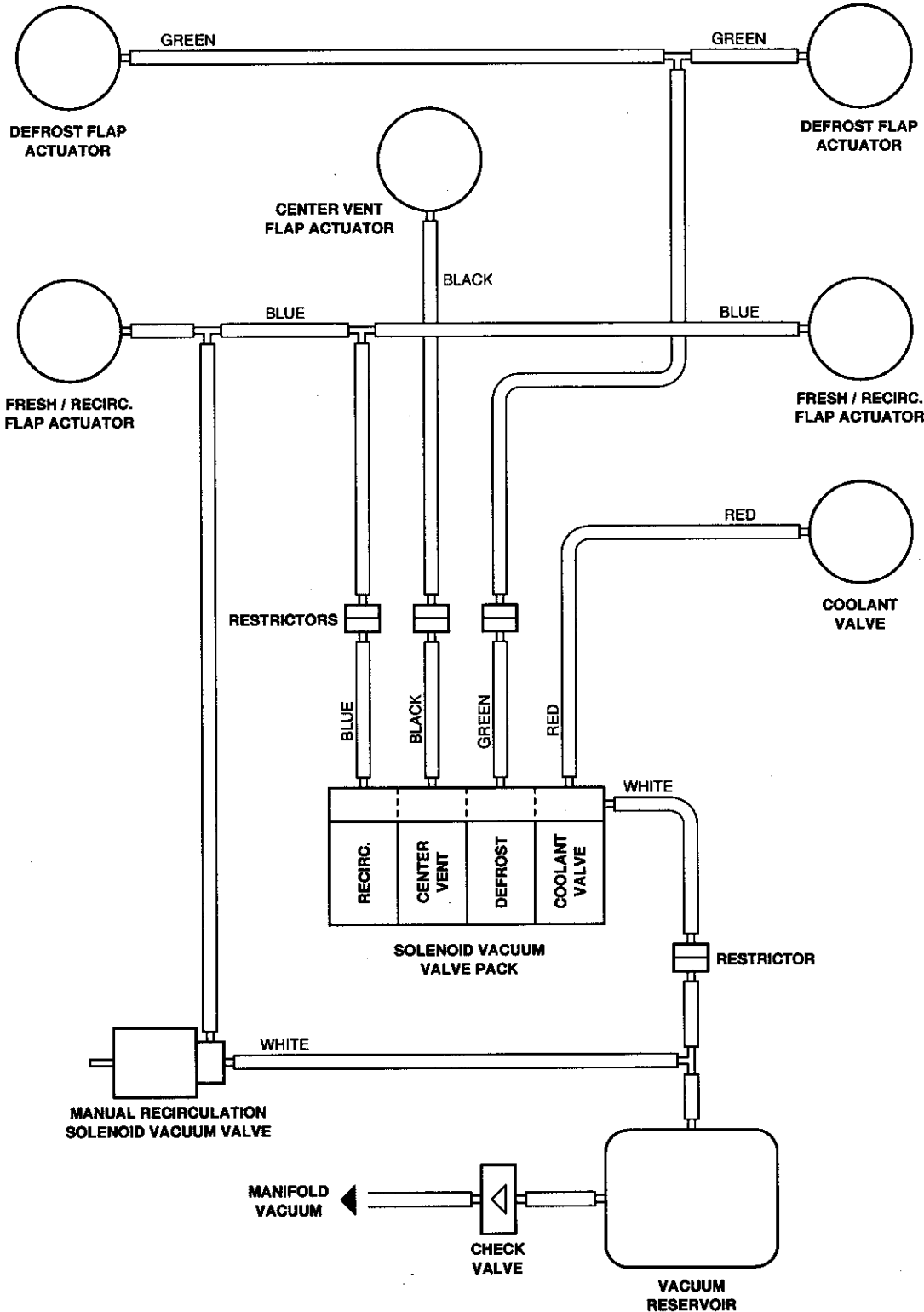


CLIMATE CONTROL VACUUM CIRCUIT: 1993 - 1994 MY



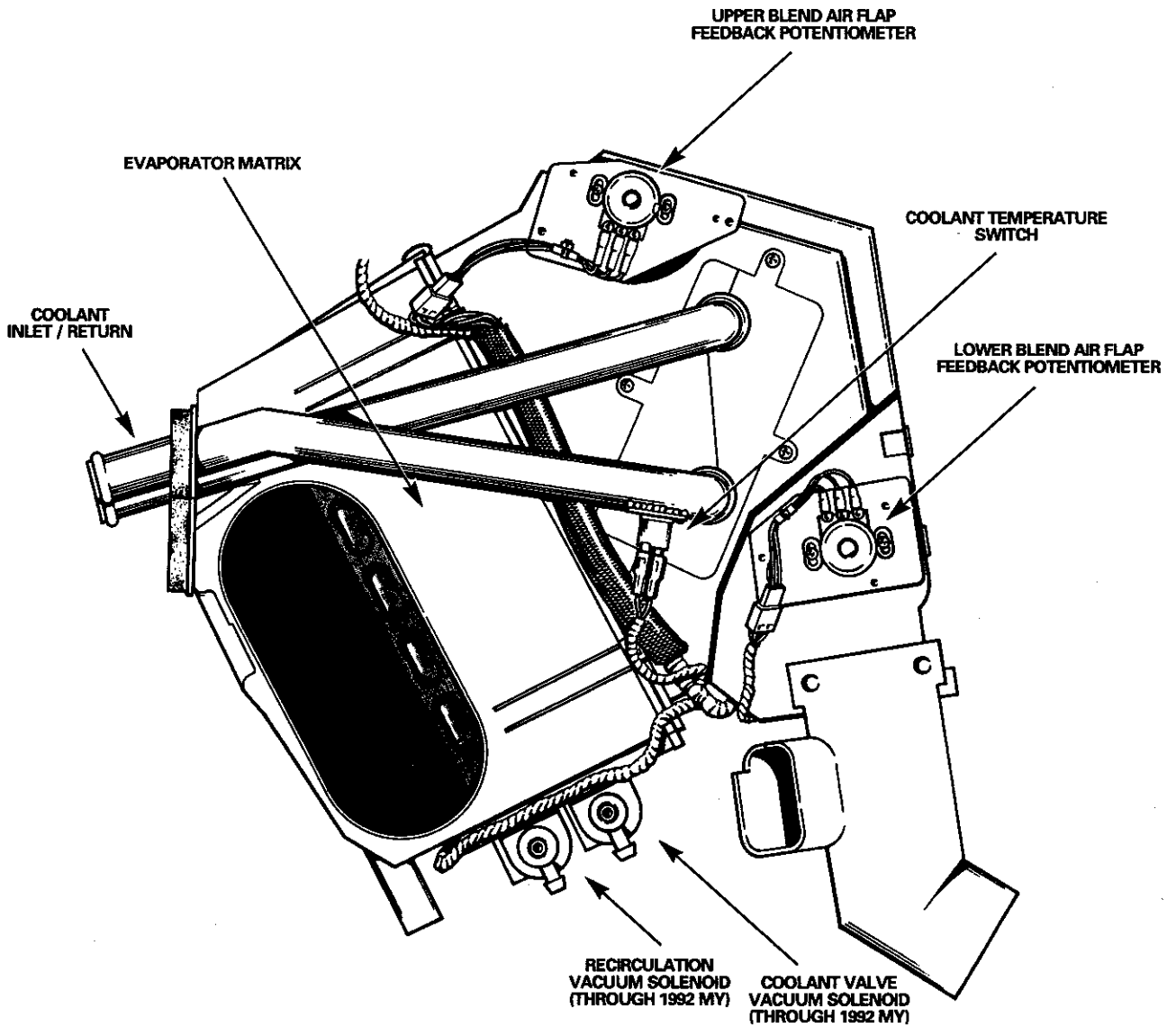
T700/2.16

# Mark IV Climate Control

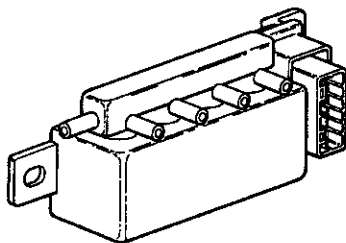
## Components

### Component Location

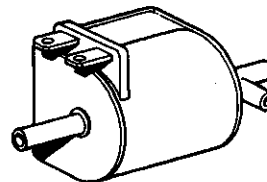
CLIMATE CONTROL UNIT: LEFT SIDE



NOTE: IN 1993 - 94 MY, INDIVIDUAL SOLENOID VACUUM VALVES ARE REPLACED BY A SOLENOID VACUUM VALVE PACK AND MANUAL RECIRCULATION SOLENOID VACUUM VALVE



SOLENOID VACUUM VALVE PACK



MANUAL RECIRCULATION  
SOLENOID VACUUM VALVE

T700/2.17A, B & C

CLIMATE CONTROL UNIT: RIGHT SIDE

