

several XJS models, is engaged, yet still

Cheers,

Attached Thumbnails

Steve

'95 XJR  
'97 XK8 Conv. [Sold]

07-04-2011, 03:02 PM

kenneth13  
Senior Member  
1996 Jaguar XJS-Series

You, sir, are a word

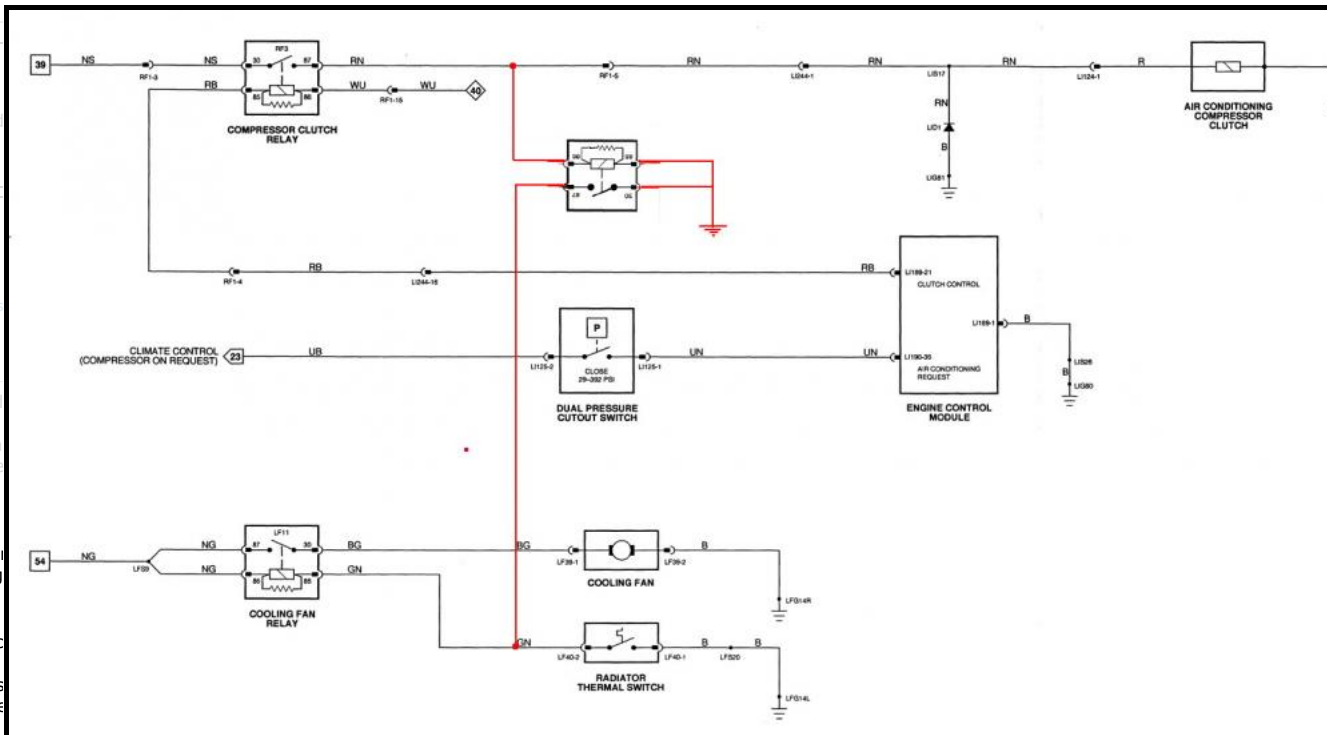
That saves me from looking at the harne

I think I'll include a

The switch I've got i butchering anything

I wouldn't normally might not have muc

I'll soon find out, I s standardization. I've



96 Aux Fan Mod.jpg

07-03-2011 03

07-04-2011, 07:47 PM

#8

**xjrguy**  
TECH CERTIFIED  
Garage is empty, add now

Join Date: Sep 2010  
Location: Indianapolis, IN  
Posts: 1,369  
Thanks: 57  
Thanked 379 Times in 302 Posts

Well, thank you! Glad I could help.....

Cheers,

Steve

'95 XJR  
'97 XK8 Conv. [Sold, and missing it!]

quote Thanks

Yesterday, 03:01 PM

#9

**Mike Beda**  
Junior Member  
Garage is empty, add now

Join Date: Jun 2012  
Location: Denver Area, Colorado  
Posts: 6  
Thanks: 0  
Thanked 0 Times in 0 Posts

Okay, I know I'm resurrecting a long-dead thread, but I have the same problem, and I wanted to ask if anyone had found a replacement for this switch (the DAC6794).

A local British car shop said that the XJ6 used a similar switch which only has a different plug on the end, and sold me a used one. So I spliced my old connector onto that switch, and installed it. It does fit in the radiator, but it still doesn't work. Thing is I don't know if it doesn't work because it's broken or because it's the wrong switch. Anyone else know anything about the XJ6 switch?

Thanks,