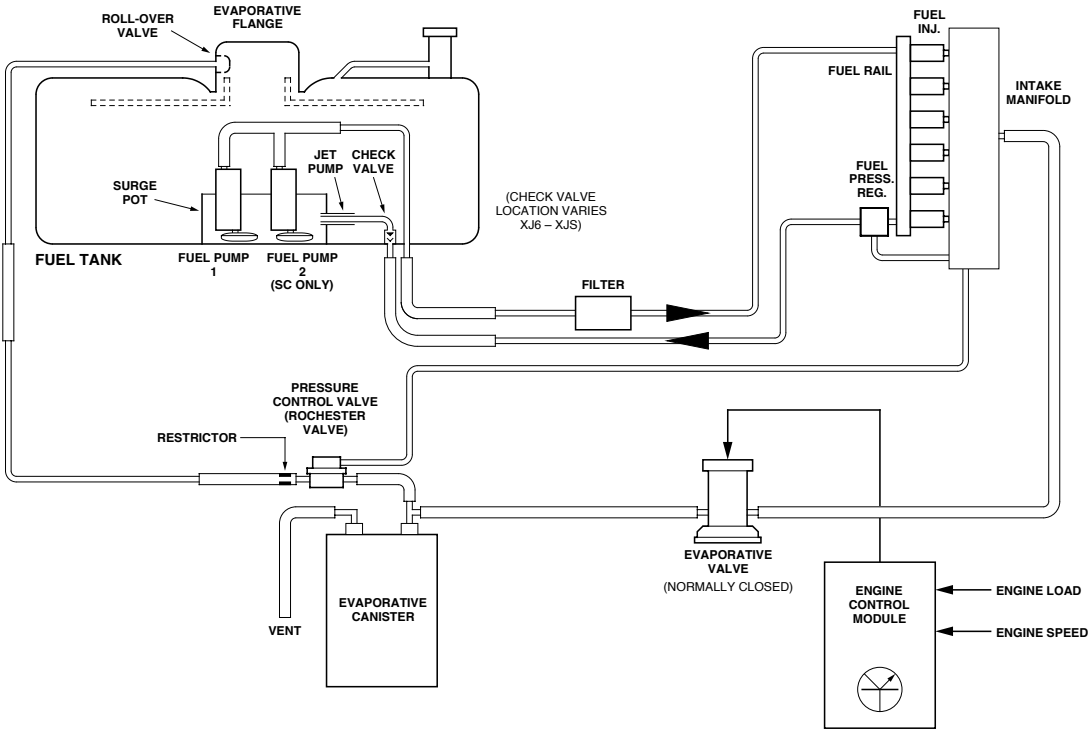


# AJ16 4.0 Liter Engine Management System

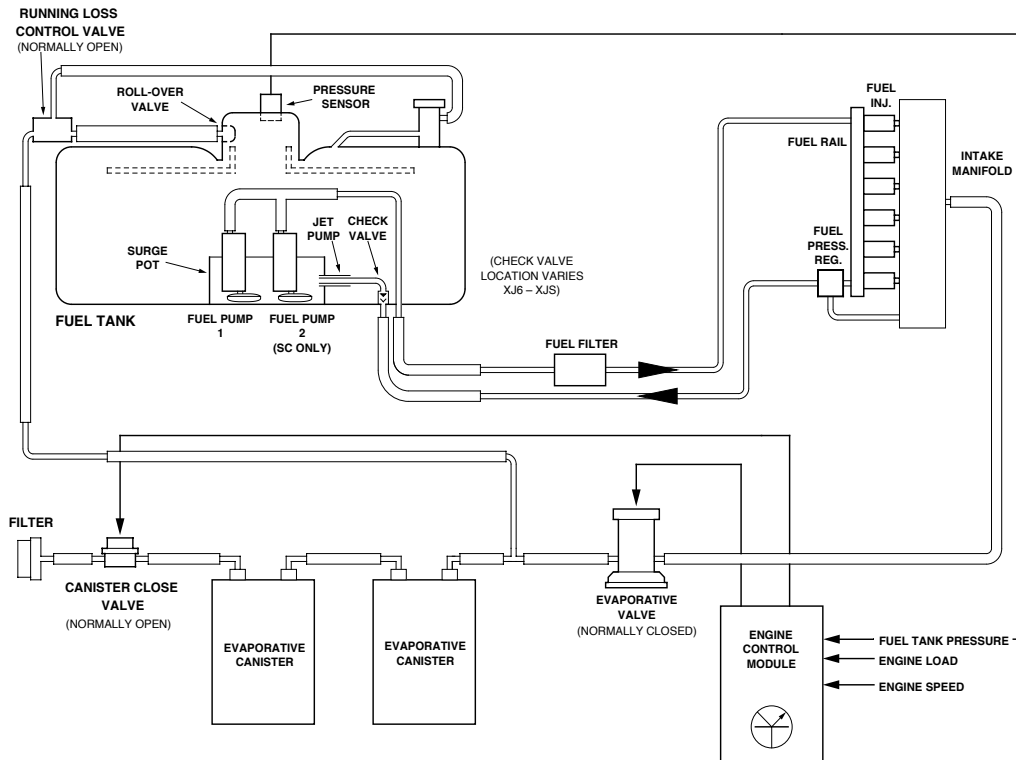
## Fuel Delivery and Evaporative Emission Control

AJ16 FUEL DELIVERY AND EVAPORATIVE EMISSION CONTROL SYSTEM



T801/1.05

AJ16 FUEL DELIVERY AND ENHANCED EVAPORATIVE EMISSION CONTROL SYSTEM



T801/1.05A