

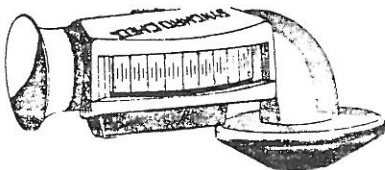
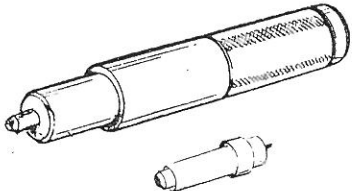
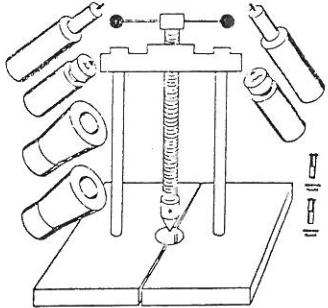
**CATALOG No.202**

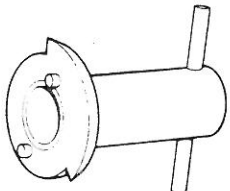
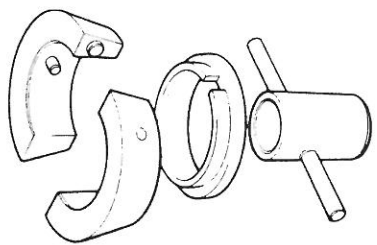
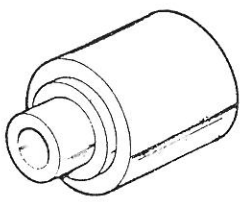
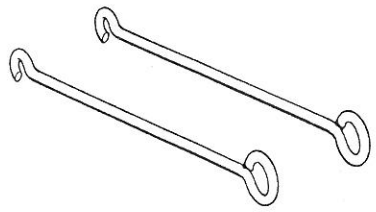
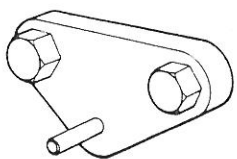
**SPECIAL SERVICE TOOLS  
FOR**

**Jaguar  
Triumph  
Land Rover  
Austin - MG**

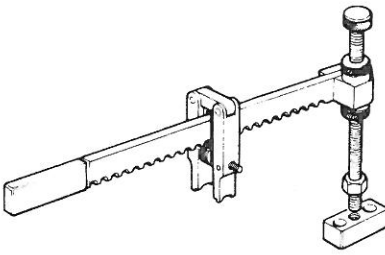
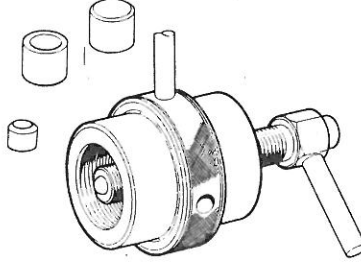

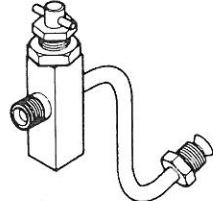
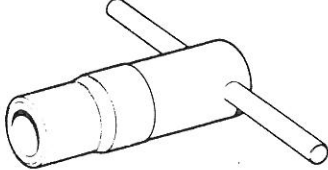
**ZELENDA MACHINE & TOOLS Corp.  
SPECIAL TOOLS Division**

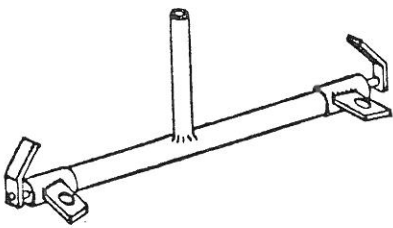
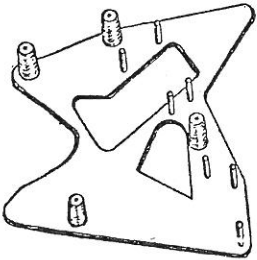
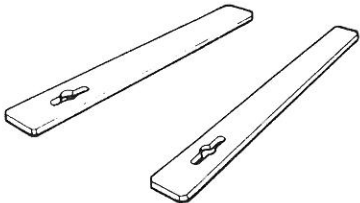
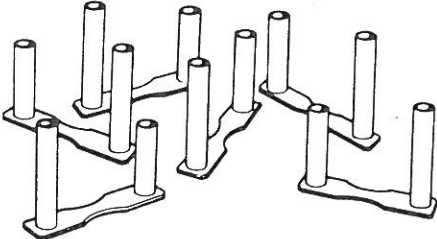
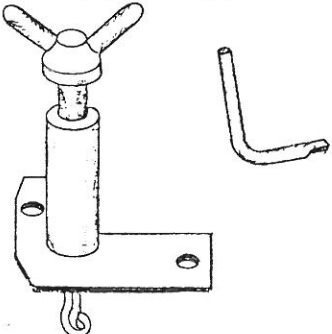
66-02 Austin St., Forest Hills, N.Y.11374  
Tel.:(212)TW6-2288 Telex:12-7938

	TOOL NO.	DESCRIPTION	MODELS
	5003	SYNCHRO CHECK INSTRUMENT  HAC 60  Synchronize multiple carburetors  Engine	ALL
			other makes
	5004	VALVE SPRING COMPRESSOR AND KEEPER REMOVER - REPLACER  Z 104 HAC 69  Engine	ALL
			other makes
	5005	FLARING TOOL	ALL
			other makes
			ALL

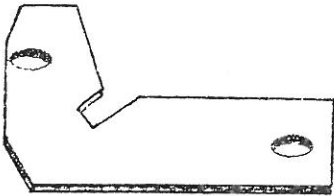
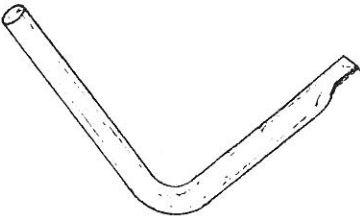
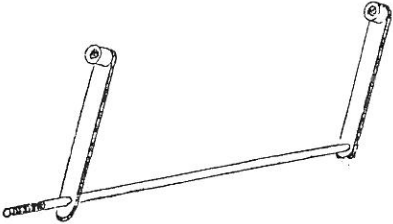
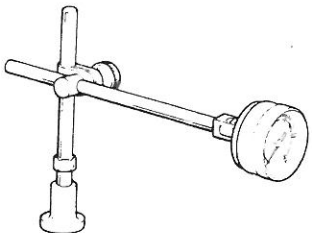

	TOOL NO.	DESCRIPTION	MODELS
	1001 ✓	TIMING CHAIN ADJUSTMENT WRENCH  J 2 B  Engine	ALL
	1002	SHOCK HYDRAULIC DAMPER - REST SPRING DISMANTLING ADAPTOR J 11 B  Use with S 4221 A Press 2041  Suspension	XJ 6 V 12
	1003 ✓	REAR HUB MASTER SPACER AND BEARING REPLACER  J 15  Hub	ALL
	1004 ✓	REAR CAMBER SET LINKS  J 25  Rear Suspension	ALL
	1005 ✓	JACKSHAFT SPROCKET RETAINING TOOL J 39  For radial positio- ning of jack shaft sprocket to ensure accurate timing. Engine	V-12

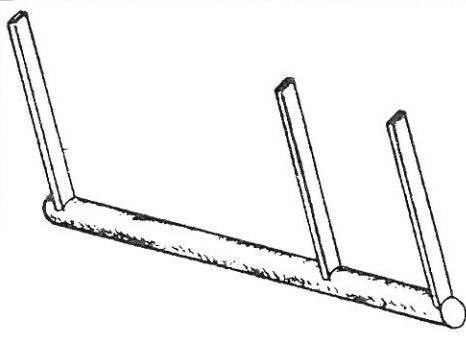

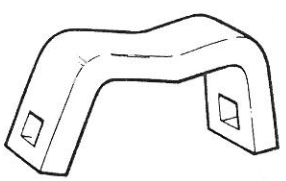
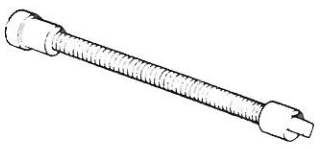
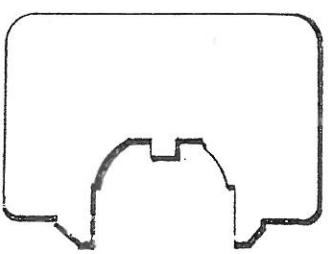
# JAGUAR

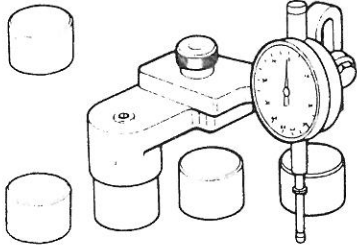
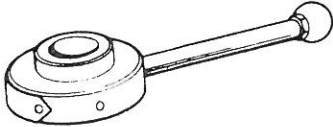
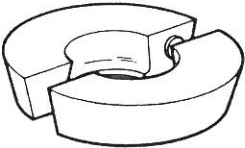
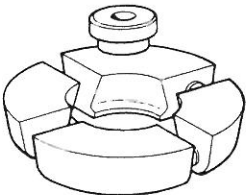
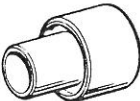
	TOOL NO.	DESCRIPTION	MODELS
	1006	VALVE SPRING COMPRESSOR  J 6118 C  Also see 5004 Z 104 HAC 69  Engine	ALL
	1007	HUB REMOVER WIRE WHEEL  JD 7 A  Hubs	ALL
	1008	POWER STEERING TEST GAUGE  JD 10  Steering	ALL
	1009	ADAPTOR POWER STEERING  JD 10-2  Steering	ALL
	1010	REAR OIL SEAL PRE-SIZING TOOL JD 17 B  Pre-sizes a new seal before replacing crankshaft. Engine	ALL

	TOOL NO.	DESCRIPTION	MODELS
	1011	RACK ALIGNMENT TOOL JD 36  Used for checking parallelism of steering rack with suspension. Steering	XJ 6 early
	1012	CHAIN DAMPER ALIGNMENT JIG JD 38  Essential when fitting new dampers. Engine	V-12
	1013	CAMSHAFT SPROCKET RETAINING TOOL JD 40  Engine	ALL
	1014	CYLINDER LINER RETAINING TOOL JD 41  Engine	V-12
	1015	TIMING CHAIN TENSIONER RETRACTOR TOOL JD 42  including Offset Screw Driver Engine	V-12

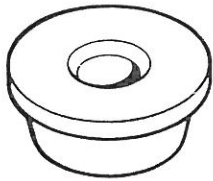
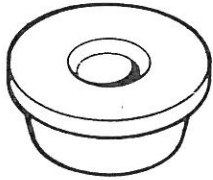
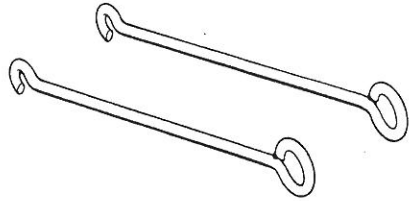
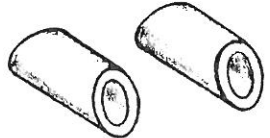
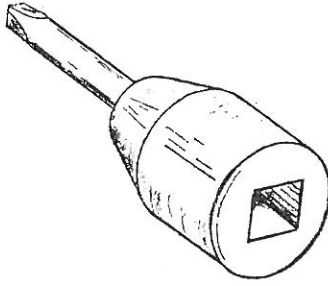
# JAGUAR

	TOOL NO.	DESCRIPTION	MODELS
	1016	SUPPORT PLATE  JD 42-1  Part of JD 42	V-12
	1017	ANGLE KEY  JD 42-2  Part of JD 42	V-12
	1018	TORSION BAR PRELOAD TOOL  JD 43  Front Suspension	V-12 XKE Series III
	1019	MAINSHAFT END FLOAT GAUGE  CBW 33  Automatic Transmission	ALL
	1020	FRONT BAND SPACER GAUGE  CBW 34  Automatic Transmission	All-with Automatic Models 8 and 35  <hr/> other makes  AUSTIN/MG

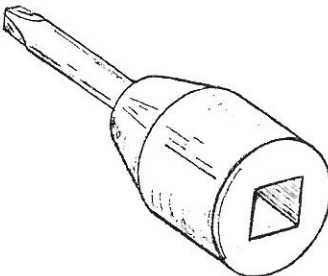
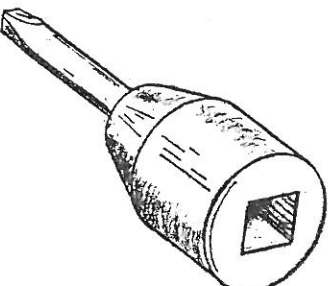
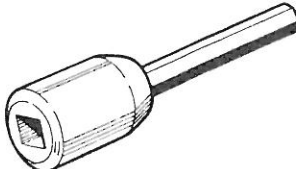
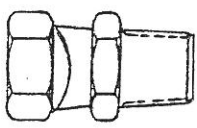
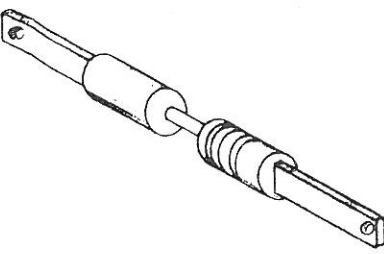
	TOOL NO.	DESCRIPTION	MODELS
	1022	DRIVE SHAFT ALIGNMENT JIG  SA 362  Driver Shaft	XJ-6 XJ-12
	1023 <i>1/4" DRIVE 5/16" - 8PT OFG</i>	REAR SERVO ADJUSTER ADAPTOR CBW 547 A-50-2  Used with Torque Wrench on Rear Band Adjustment. Automatic Transmission	ALL  <u>3</u>
	1024  <i>✓</i>	FRONT SERVO ADJUSTER-ADAPTOR CBW 548-2 Used with Torque Screwdriver CBW 34 - 1020 for Front Band Adjustment  Autom. Transmission	ALL
	1025	FRONT SERVO ADJUSTER FLEX CBW 548-2 A Automatic Transmission  Used with 18G 681 and BLT 1020 when making Front Band Adjustment.	ALL  <u>0</u>
	1026  <i>✓</i>	VALVE TIMING GAUGE TOOL  C 3993  Engine	ALL

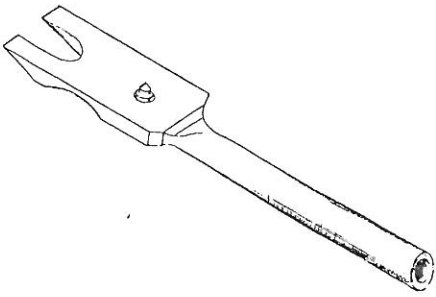
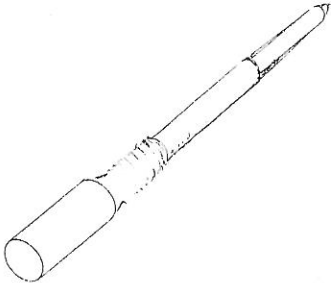
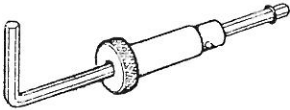
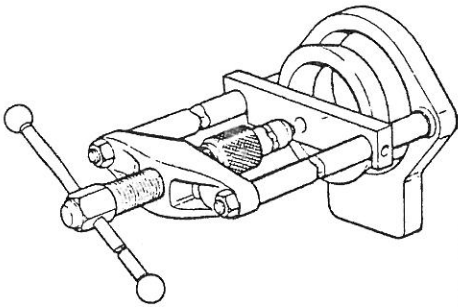
	TOOL NO.	DESCRIPTION	MODELS
	<p>1027</p> <p>✓</p>	<p>PINION SETTING GAUGE</p> <p>SL 3</p> <p>Essential for accurate axle setting</p> <p>Rear Axle</p>	<p>ALL</p>
	<p>1028</p> <p>✓</p>	<p>PINION OIL SEAL REPLACER</p> <p>SL 4</p> <p>Rear Axle</p>	<p>ALL</p>
	<p>1030</p> <p>✓</p>	<p>PINION BEARING CONE REMOVER-REPLACER</p> <p>SL 14-1</p> <p>Use with S 4221 A 2041</p> <p>Rear Axle</p>	<p>ALL</p>
	<p>1031</p> <p>✓</p>	<p>ADAPTOR DIFFERENTIAL BEARINGS</p> <p>SL 14-3</p> <p>Use with S 4221 A 2041</p> <p>Rear Axle</p>	<p>ALL</p>
	<p>1032</p> <p>✓</p>	<p>DIFFERENTIAL BEARING CONE REPLACER</p> <p>SL 550-1</p> <p>Use with 18G 134 - Driver Handle.</p> <p>Rear Axle</p>	<p>ALL</p>

# JAGUAR

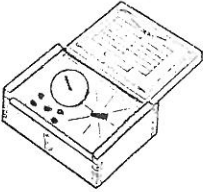
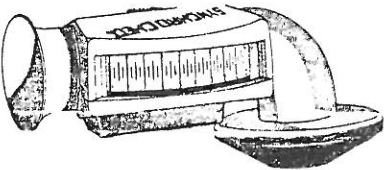
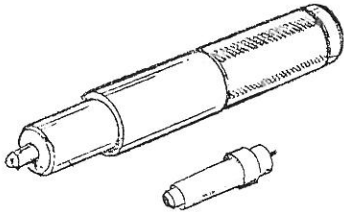
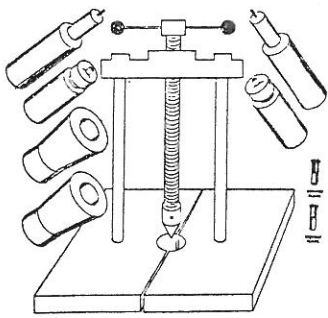
	TOOL NO.	DESCRIPTION	MODELS
	1033 ✓	PINION OUTER BEARING CUP REPLACER SL 550-4 Use with 18G 134 Drive Handle. Rear Axle	ALL
	1034 ✓	PINION INNER BEARING CUP REPLACER SL 550-5 Use with 18G 134 Drive Handle. Rear Axle	ALL
	1035	XJ REAR CAMBER SETTING LINKS ZJ 102 Rear Suspension	XJ early type
	1036	SPACER FOR CAMBER ZJ 103 Suspension	XJ
	1037 ✓	POZI-DRIVE SOCKET NO. 2 ZJ 105 General	ALL <hr/> other makes <hr/> ALL

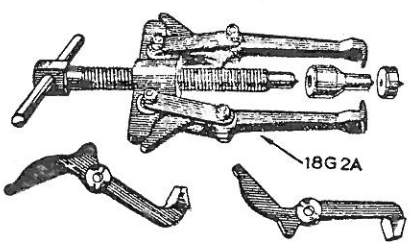
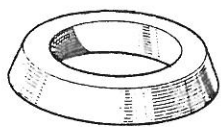
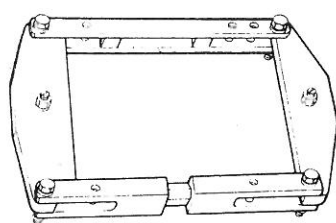
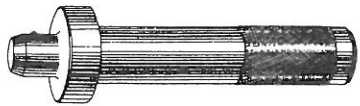
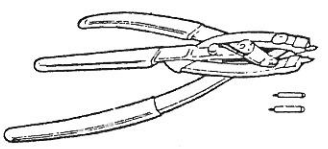
# JAGUAR

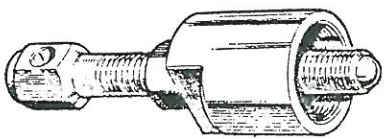
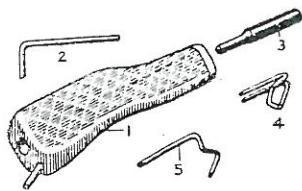

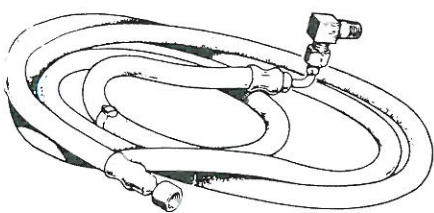
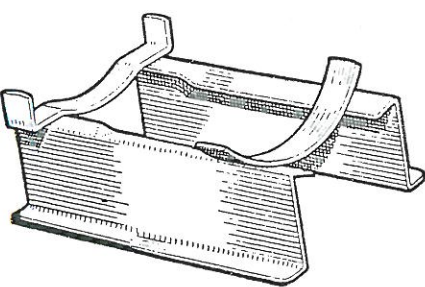
	TOOL NO.	DESCRIPTION	MODELS
	1038 ✓	POZI-DRIVE SOCKET NO.3  ZJ 106  General	ALL  <hr/> other makes <hr/> ALL
	1039 ✓	POZI-DRIVE SOCKET NO.4  ZJ 107  General	ALL  <hr/> other makes <hr/> ALL
	1040	3/16" HEX KEY SOCKET TOOL FOR DISTRIBUTOR  ZJ 108  Engine	V-12
	1041	ADAPTOR AUTOMATIC PRESSURE GAUGE  ZJ 109  Automatic Transmission	V-12  <hr/> other makes <hr/> AUSTIN/MG
	1042	TORSION BAR SETTING TOOL  ZP 1007  Front Suspension	"E" Type early

	TOOL NO.	DESCRIPTION	MODELS
	1043 ✓	BRAKE CALIPER RETRACTOR  7840  Brakes	ALL
	1058 ✓	POWER STEERING RACK CENTER PIN  Steering	ALL
	2010 ✓	CARBURETOR ADJUSTING TOOL  NPN 2-95 S 353  Engine	ALL <hr/> other makes <hr/> TRIUMPH
	2041 ✓	HAND PRESS S 4221 A  Used with various adaptors.  Rear Axle	ALL <hr/> other makes <hr/> ALL

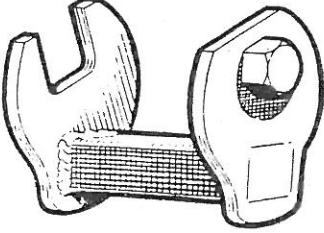
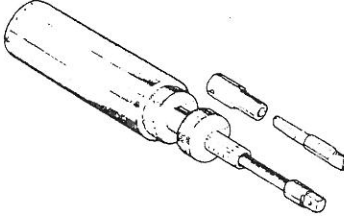
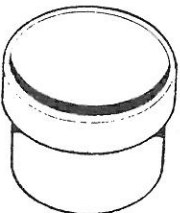
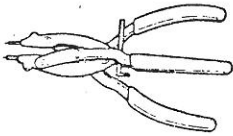
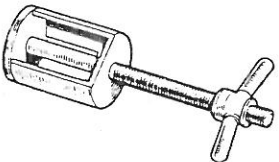
# JAGUAR

	TOOL NO.	DESCRIPTION	MODELS
	1061 ✓	HALF SHAFT SEAL DRIVER	
	886-329 ✓	LEAD HAMMER	
	5001 ✓	INSTRUMENT TESTER	ALL
		SRD 380 Electrical	other makes ALL
	5003	SYNCHRO CHECK INSTRUMENT	ALL
		HAC 60 Synchronize multiple carburetors Engine	other makes ALL
	5004	VALVE SPRING COMPRESSOR AND KEEPER REPLACER	ALL
		HAC 69 or Z 104 Engine	other makes ALL
	5005	FLARING TOOL	ALL
			other makes ALL

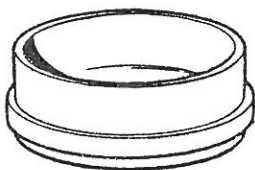
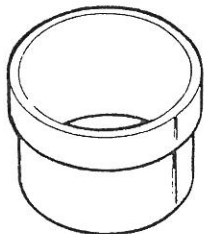

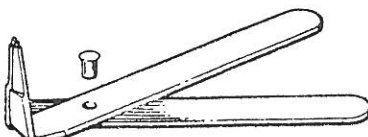
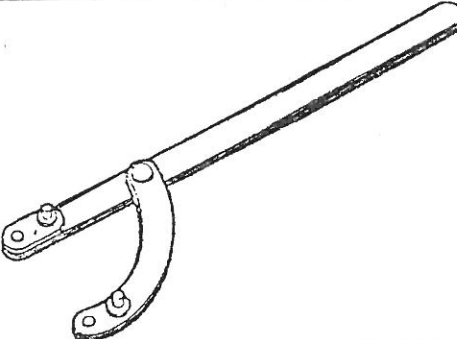
	TOOL NO.	DESCRIPTION	MODELS
	18G 2	CRANKSHAFT GEAR, PULLEY AND PROPELLER SHAFT FLANGE REMOVER  Engine Steering	ALL
			other makes
	18G 47 C-Z1	BEARING REMOVER BASIC TOOL ADAPTOR RING  2041-1 or S 4221 A-Z1  Part of Press Gearbox BLT 2041	ALL
			other makes
	18G 131 C	GEAR CARRIER STRETCHER  SL 1 A  Vital to avoid damage to casing.  Rear Axle	ALL
			other makes
	18G 134	BEARING AND OIL SEAL REPLACER BASIC TOOL  550  Rear Axle Engine Gearbox	ALL
			other makes
	18G 257	CIRCLIP PLIERS (large)  These pliers will accomodate circlips up to 6" dia.  Basic tool	ALL
			other makes
			ALL

	TOOL NO.	DESCRIPTION	MODELS
	18G 389	GEARBOX REAR OIL SEAL REMOVER  Basic tool  Gearbox	ALL
			other makes
			ALL
	18G 468	WEATHERSTRIP FITTING TOOL  JD 23  A tool for fitting the rubber sealing strip to the windscreen.	ALL
			other makes
			AUSTIN/MG
	18G 502 A	PRESSURE GAUGE AUTOMATIC  Automatic Transmission	ALL
			other makes
			AUSTIN/MG
	18G 502 K	PRESSURE HOSE AND ADAPTOR  Automatic Transmission  Use with 18G 502 A and suitable tachometer.	ALL
			other makes
			AUSTIN/MG
	18G 673	BENCH CRADLE CBW 35 B  Automatic Transmission  Necessary to support the casing when working on the bench.	ALL
			other makes
			AUSTIN/MG

# JAGUAR

	TOOL NO.	DESCRIPTION	MODELS
	18G 679	INHIBITOR SWITCH LOCKNUT WRENCH  CBW 547 A-50-3  Automatic Transmission	ALL  other makes AUSTIN/MG
	18G 681	TORQUE SCREWDRIVER SET  CBW 548  Automatic Transmission	ALL  other makes AUSTIN/MG
	18G 702	REAR CLUTCH PISTON REPLACER CBW 41  Essential to avoid damage to lip seal. Automatic Transmission	Automatic Model 35  other makes AUSTIN/MG
	18G 1004	CIRCLIP PLIERS (small)  For various appli- cations.  Basic tool	ALL  other makes ALL
	18G 1016	CLUTCH SPRING COMPRESSOR CWG 37  Use with S 4221 A Press BLT 2041 Automatic Transmission	ALL  other makes AUSTIN/MG

# JAGUAR

	TOOL NO.	DESCRIPTION	MODELS
	18G 1017	FRONT CLUTCH PISTON REPLACER  CWG 42  Automatic Transmission	V-12 Automatic
	18G 1018	REAR CLUTCH PISTON REPLACER  CWG 41  Automatic Transmission	V-12 Automatic
	18G 1107	FRONT CLUTCH PISTON REPLACER CBW 42  Recommended to avoid damage to seal. Automatic Transmission	Automatic Model 35 <hr/> other makes <hr/> AUSTIN/MG
	18G 1112	CIRCLIP PLIERS  Use on tandem brake master cylinders  Brakes	ALL <hr/> other makes <hr/> ALL
	18G 1205	PROPELLER SHAFT FLANGE WRENCH - UNIVERSAL  Replaces old No. 20 SM 90 Rear Axle Gearbox	ALL <hr/> other makes <hr/> ALL