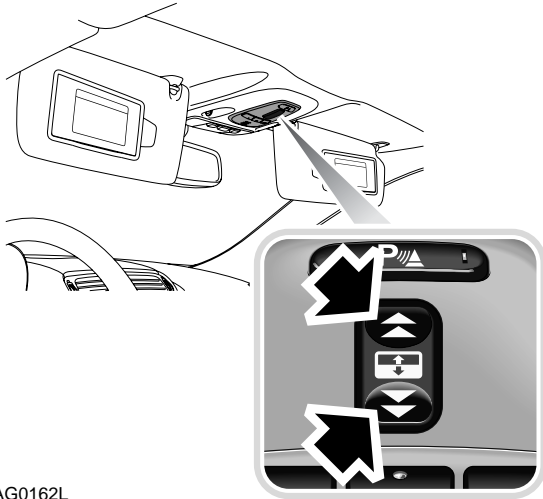


Convertible Top

OPENING THE CONVERTIBLE TOP



JAG0162L

The power-operated convertible top and rear quarter windows, see page 85, are controlled by the switch located on the overhead console. The top latches and unlatches automatically. The convertible top may be operated at speeds below 15 mph (24 km/h), however, for safety it should not be opened or closed when the vehicle is being driven.

For the mechanism to function the ignition system must be ON, see page 47.



WARNING:

- **Before opening or closing the convertible top, ensure that all occupants have moved their hands, fingers, hair, etc. from the convertible top linkage area, tonneau closing panel, windscreen frame, door windows and rear quarter windows.**
- **Do not place items on the tonneau panel or over the Roll-over Protection Device covers.**

Caution:

- **Before opening the convertible top, ensure that the luggage separator is correctly located in the deployed position in the luggage compartment, see page 157.**
- **Check that there is nothing in the rear area which could interfere with the top when folded down, especially considering the heated rear window, e.g. ensure that the battery cover trim is fitted and secure.**
- **Do not attempt to operate the convertible top at temperatures below -15°C (5°F). This may cause damage to the fabric.**

The convertible top may be opened or closed at speeds below 15 mph (24 km/h). If this speed is exceeded when opening, the top will continue to move to its open position. If this speed is exceeded when closing, top movement will continue to operate to the closed position.

Caution: If the convertible top is operated above 15 mph (24 km/h) to excessive speeds there is a risk of damage to the convertible top.

1. Ensure that the ignition system is in the ON condition, see page 47.
2. Ensure that the luggage separator in the luggage compartment is in the fully deployed position. If it is not positioned correctly the proximity switches will not operate and the convertible top will not open, see page 157.

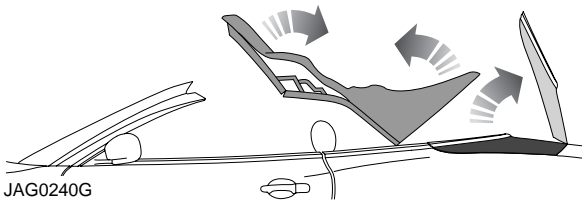
Convertible Top

3. Press and hold the rear of the overhead console switch. (Do not release the switch until the top is fully open.)



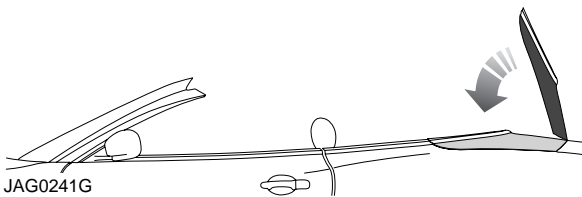
JAG0239G

4. The rear quarter windows open, an audible warning sounds, and the top unlatches and starts to move, the tonneau closing panel opens. (The front windows will fully open. The door window switch will require to be pressed to close the window.)



JAG0240G

5. When the top is fully open, the audible warning sounds again. The tonneau closing panel is fully automated and encloses the convertible top in the stowed position.



JAG0241G

6. Release the overhead console switch.

Caution: Do not attempt to OPEN the convertible top manually, as damage to the linkage mechanism may occur.

Note: *If at any period during the convertible top opening sequence the switch is released, all movement of the convertible top will cease.*

Caution: Do not at any time during the opening or closing of the convertible top press the engine Start/Stop button as all movement will cease and the convertible top will have to be manually re-set.

Convertible Top

Convertible top manual re-set

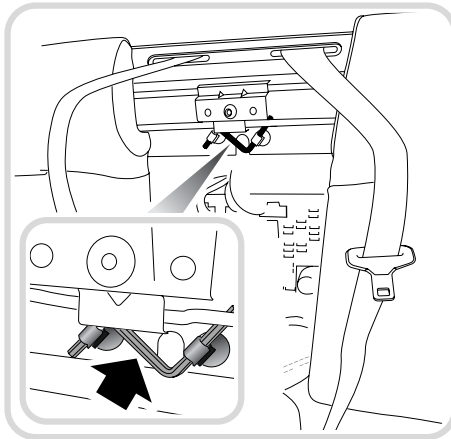
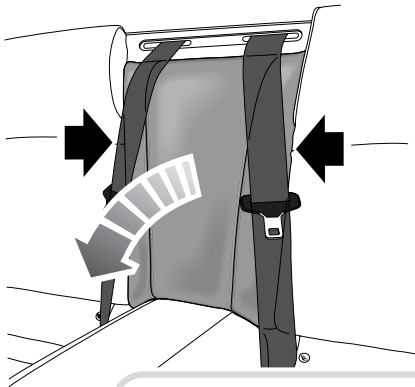


WARNING:

It is advisable that two persons carry out this procedure so that the convertible top and tonneau cover are fully supported when required; although it is possible that this procedure may be carried out by one person with care.

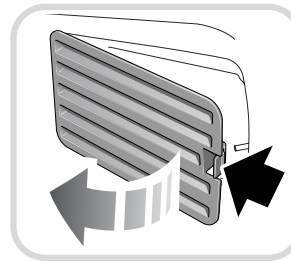
To manually re-set the convertible top:

Ensure that the engine is not running and that the ignition system is OFF.



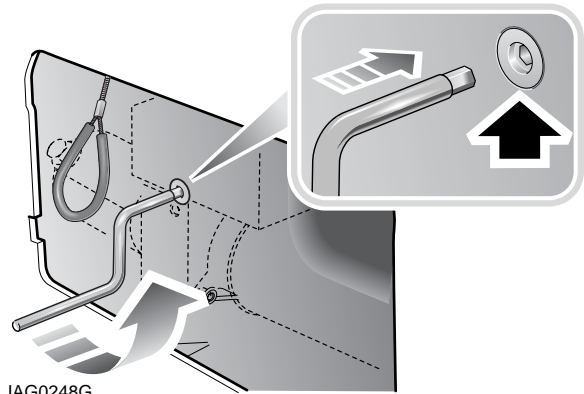
JAG0246G

Remove the Allen key from its stowed position, behind the rear seat centre section, by grasping the sides of the section, as shown, and pulling sharply.



JAG0247G

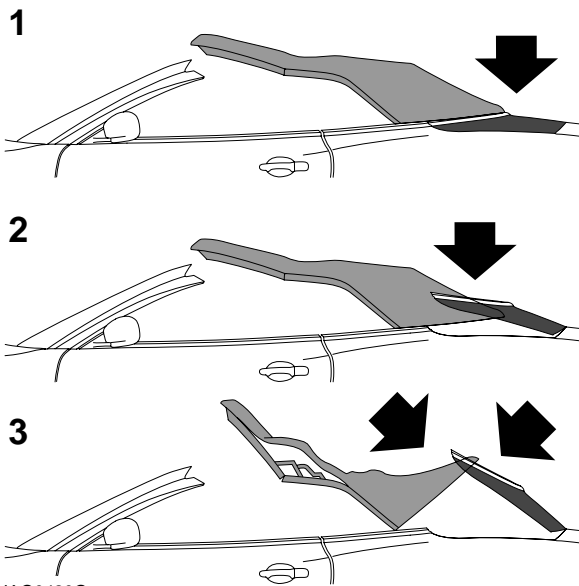
From inside the luggage compartment, remove the vent screen to access the convertible top operating pump.



JAG0248G

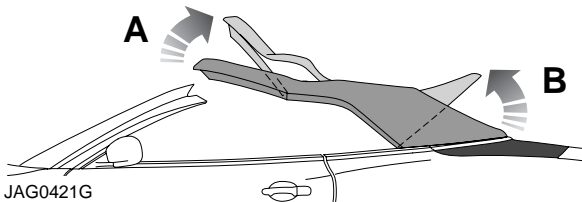
Insert the Allen key into the pump and rotate anti-clockwise (approximately one turn).

Convertible Top



JAG0420G

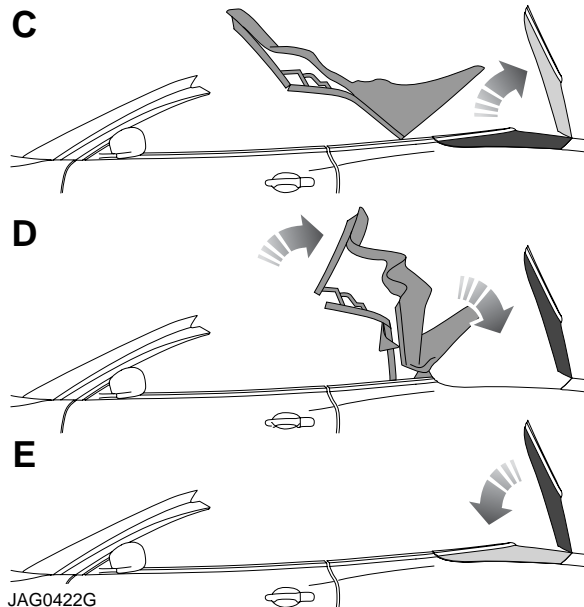
The convertible top and tonneau cover movement can cease in any of the positions **1**, **2** or **3**, as shown.



JAG0421G

If the movement ceases in position **(1)**, release the tension in the convertible top cover and tension bow (rear of convertible top) by lifting the front of the convertible top and pulling rearwards **(A)**.

Lift the tension bow upwards **(B)**, and forwards to clear the tonneau cover).



JAG0422G

Lift the tonneau cover fully and support **(C)**. Pull the convertible top rearwards and downwards **(D)** so that it is fully stowed.

Rest the tonneau cover in the closed position **(E)**.

If the movement ceases in either positions **(2)** or **(3)**, lift the tonneau cover fully upright and support **(C)**, pull the front of the convertible top rearwards and downwards so that it is fully stowed **(D)**.

Rest the tonneau cover in the closed position **(E)**.

All positions: Turn the Allen key clockwise (approximately one turn) and return it to its stowed position, refit the rear seat centre section, luggage compartment vent screen and close the luggage compartment lid.

Switch ON the ignition system and start the engine. Press and hold the front of the convertible top switch until the convertible top is closed and fully latched.

If the convertible top requires to be open, press and hold the rear of the switch.

Convertible Top

Preparation for Winter

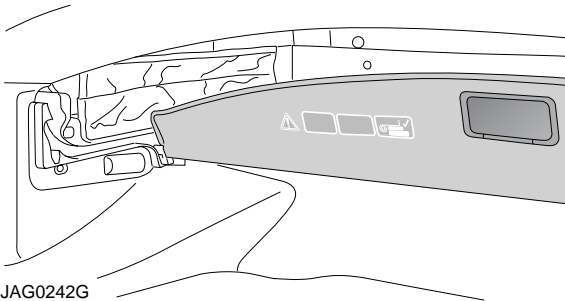
Before the onset of Winter, it is advisable to coat the convertible top seals and respective body seals with a silicon spray to aid operation in freezing conditions.

This action will need to be repeated at the start of each Winter to maintain protection.

Care must be taken for the silicon spray not to come into contact with the convertible top material. For recommended silicon spray and further advise contact your Jaguar Dealer.

Luggage separator

Caution: Luggage items should not be placed forward or on top of the luggage separator as it could cause damage to the separator.

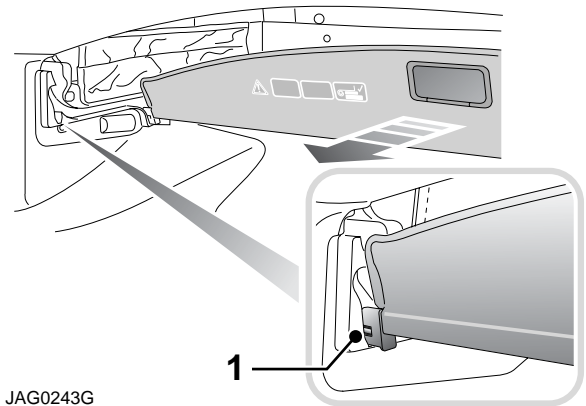


A luggage separator is located in the luggage compartment to prevent items from moving into the area in which the convertible top is to be stowed when opened.

When the convertible top is closed, the normal position for the luggage separator is in the retracted position with the partition positioned vertically.

To deploy the luggage separator

Caution: Do not place large objects underneath the luggage separator partition when deployed as damage to the convertible top may occur.

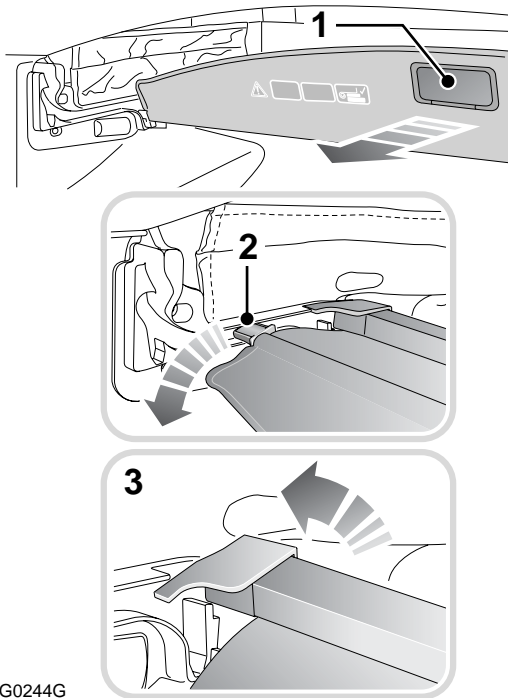


Pull the handle on the luggage separator towards you. There is a lug on either side of the luggage separator: slide the lugs into the sliders on either side of the luggage compartment. The luggage separator will positively locate in the vertical position. A proximity switch, (1), is located in the separator assembly so that the convertible top will not open and retract until the separator is in the fully deployed position.

When selected, if the convertible top does not open, the positioning of the luggage separator should be checked.

Convertible Top

To remove the luggage separator

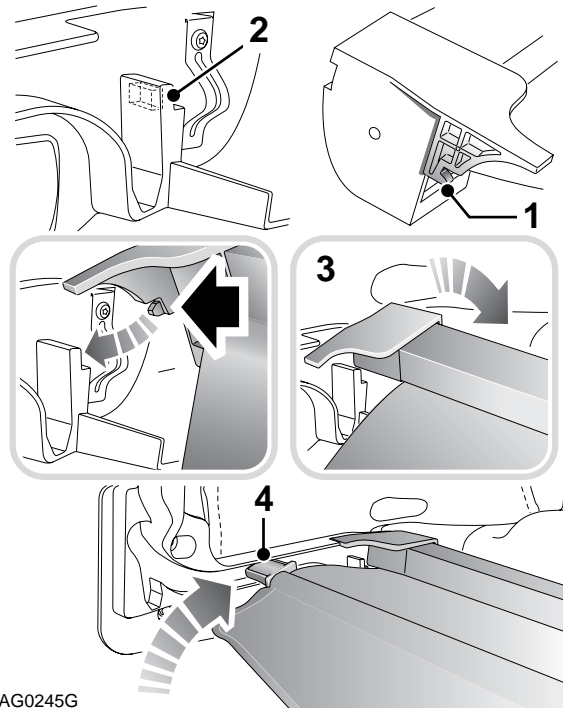


JAG0244G

With the luggage separator in the normally stowed position, pull the handle towards you, (1) and disengage the lugs from the sliders (2).

Holding the centre of the main body of the luggage separator, rotate upwards (3), disengaging the main body of the luggage separator from the support brackets. Remove the luggage separator and retract the withdrawn partition section of the luggage separator into the main body.

To install the luggage separator



JAG0245G

With the partition slightly extracted, position the luggage separator up to the support brackets with the front edge raised. Ensuring, that for both sides, the catch (1) will engage in the locating slot (2). Rotate the main body of the luggage separator (3) so that it sits down into the support brackets. Fit the partition lugs into the sliders (4) and retract the luggage separator partition into the normal stowage position.

Convertible Top

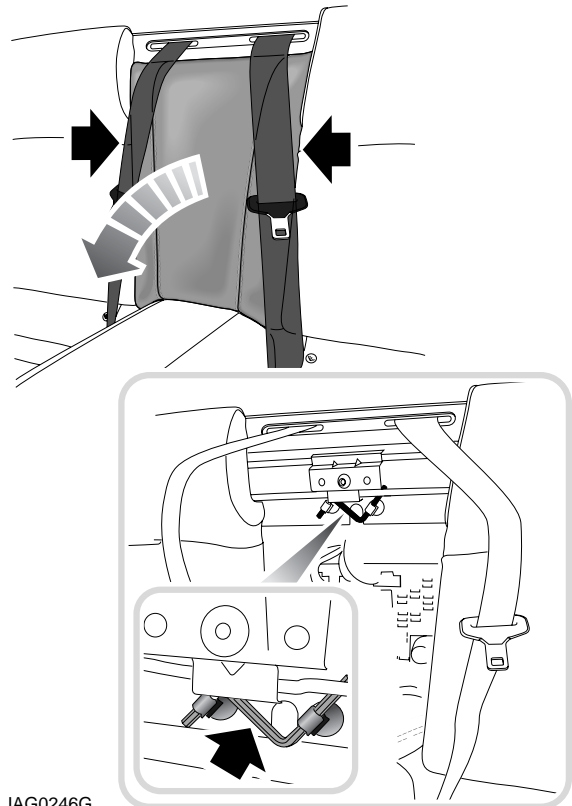
CLOSING THE CONVERTIBLE TOP

1. Ensure that the ignition system is in the ON condition, see page 47.
2. Press and hold the front of the overhead console switch, see page 153. (Do not release the switch until the convertible top is fully closed and latched, and if required the rear quarter windows and front door windows are fully closed.)
3. If the front windows are in any other position than fully down, they will retract to the fully down position on pressing the closure switch. As the convertible top starts to move the audible warning will sound.
4. When the top is fully closed and latched, the audible warning sounds again and the rear quarter windows will close followed by the front door windows returning to the fully closed position.

Note: *If at any period during the convertible top closure sequence the switch is released, all movement of the convertible top will cease.*

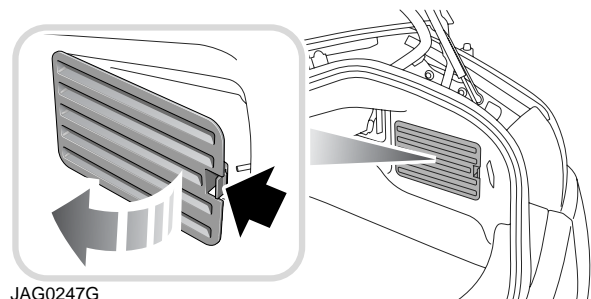
Manual closure of the convertible top

If necessary, the convertible top can be closed manually, as follows:



JAG0246G

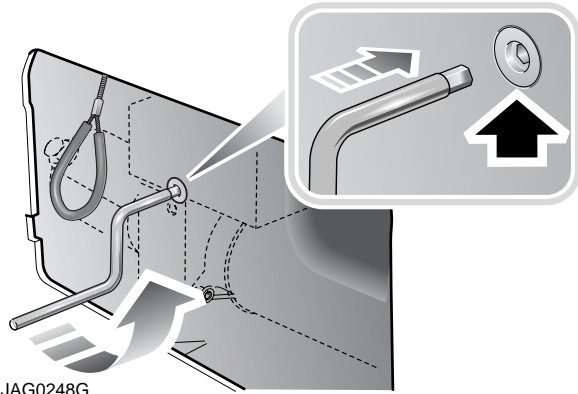
Remove the Allen key from its stowed position, behind the rear seat centre section, by grasping the sides of the section, as shown, and sharply pull.



JAG0247G

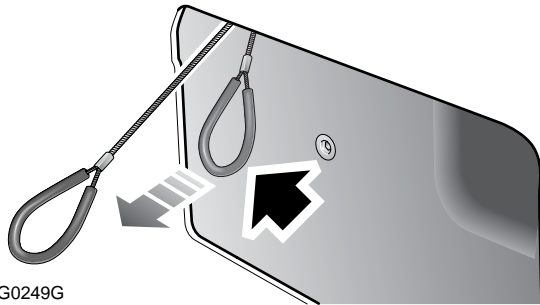
From inside the luggage compartment, remove the vent screen to access the convertible top operating pump.

Convertible Top



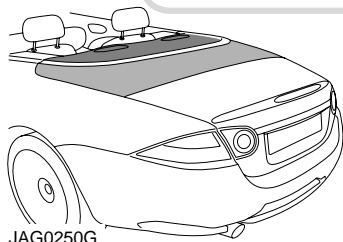
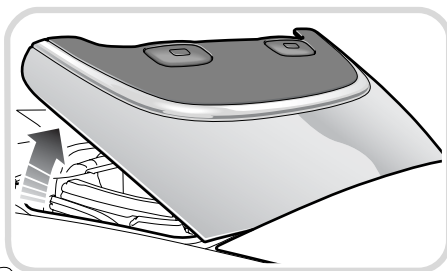
JAG0248G

Insert the Allen key into the pump and rotate anti-clockwise (approximately one turn).



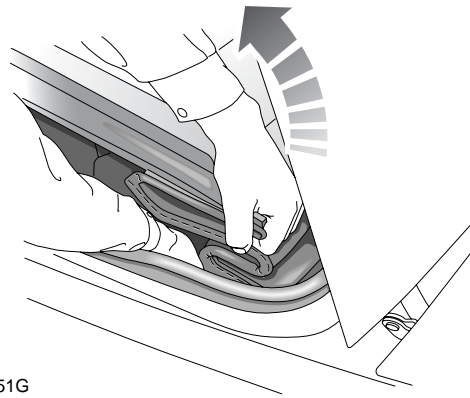
JAG0249G

Pull the tonneau release cable, until fully extended. Close the luggage compartment lid.



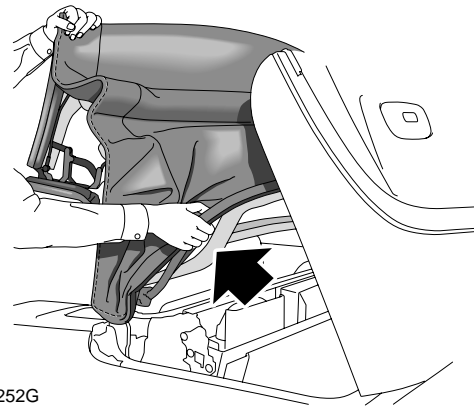
JAG0250G

Fully open the tonneau panel. It will self-support when fully opened.



JAG0251G

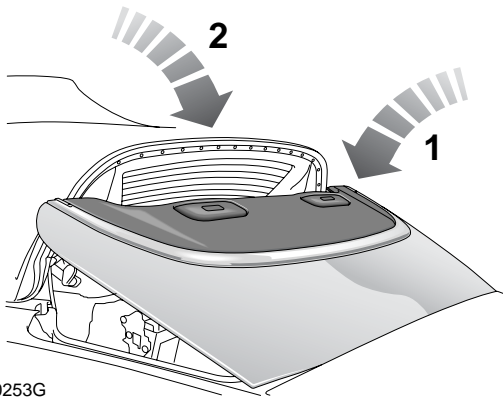
From the left-hand side of the vehicle, place your right hand down the side of the folded convertible top. Ensure that the bottom of the convertible top, which includes the tension bow, is securely held. Securely hold the convertible top header assembly with your left hand. With both hands pull the whole of the convertible top up and forward.



JAG0252G

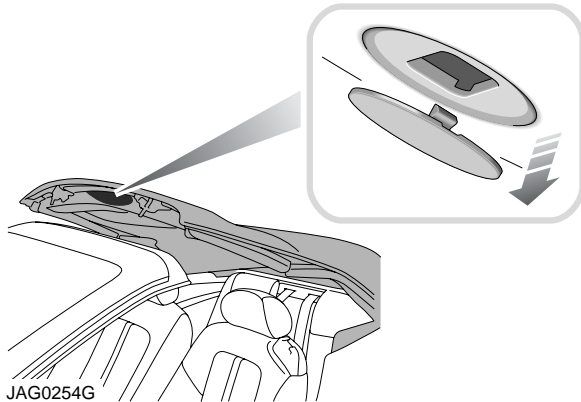
Ensure that the tension bow is fully raised.

Convertible Top



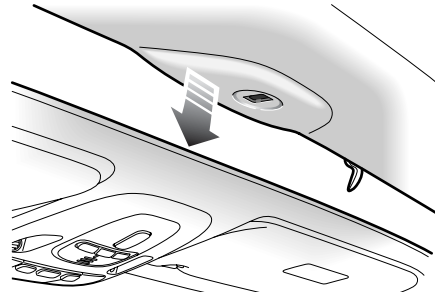
JAG0253G

Supporting the tension bow, lower the tonneau panel (1). Then lower the tension bow (2) onto the tonneau panel.



JAG0254G

Remove the plug from the convertible top header trim.



JAG0255G

Support the front header. Insert the Allen key into the header panel key slot and turn clockwise until the top is securely latched and resistance is felt.

Return the Allen key to its stowed position, refit the rear seat centre section, luggage compartment vent screen and the plug into the convertible top header trim.