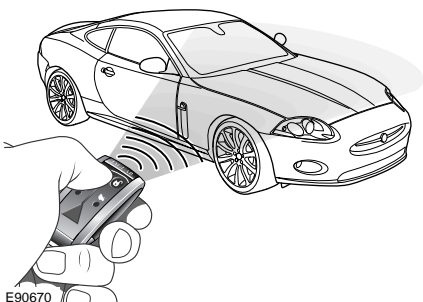


# Keys and remote controls

## PRINCIPLE OF OPERATION

### CAUTIONS

- ❗ Remove all remote controls from the vehicle when it is left unattended. This will ensure the vehicle is left in a secure condition.
- ❗ If a remote control is lost, a replacement can be obtained and programmed to the vehicle by a Jaguar Dealer. Notify a Jaguar Dealer as soon as a remote control is lost or stolen and have the remaining remote control(s) reprogrammed.



The security system and entry to the vehicle are controlled by the Jaguar Smart Key. Both doors and the luggage compartment can be locked and unlocked using the remote control buttons.

**Keyless entry** is an enhancement of the Jaguar Smart Key and allows entry to the vehicle, without the need to press a button. Full security integrity of the vehicle is still maintained. See **KEYLESS ENTRY** (page 30).

The Jaguar Smart Key also allows the vehicle to be started without the use of a starter key. See **KEYLESS STARTING** (page 129).

Two handsets are supplied, each incorporating a detachable emergency key blade. Separate emergency key blades are available from Jaguar Dealers.

The emergency key blade number is recorded on an attached label. Peel off the label and attach it to the designated area on the Security Card, supplied in the literature pack. Keep the Security Card safe, but not in the vehicle.

## GENERAL INFORMATION ON RADIO FREQUENCIES

**Note:** *The radio frequency used by your Jaguar Smart Key may be used by other devices. For example: amateur radios, medical equipment, wireless headphones, or other remote control devices. This may cause the frequency to be jammed, and prevent your Jaguar Smart Key from operating correctly.*

For further information regarding radio frequency approval numbers - See **TYPE APPROVALS** (page 336).

Environmental conditions can affect the operation of your Jaguar Smart Key and the operating range may vary considerably depending on the vehicle's location.

# Keys and remote controls

## USING THE JAGUAR SMART KEY

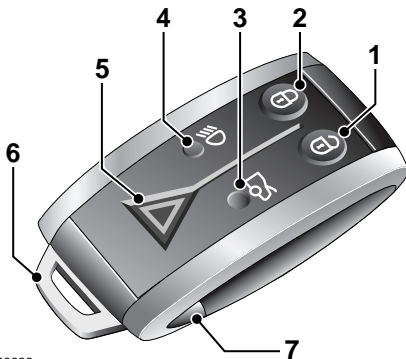
### WARNING



Never leave the Jaguar Smart Key in the vehicle if children or animals are also left in the vehicle. The vehicle's systems and remote control functions could be operated, which may result in injury.

**Note:** *The operational range of the Jaguar Smart Key will vary considerably, depending on atmospheric conditions and interference from other transmitting devices.*

**Note:** *Some features of the security system are market dependent or are options, so may not be present on your vehicle.*



E90683

1. Unlock.
2. Lock.
3. Luggage compartment release.
4. Convenience headlamp feature.
5. Panic alarm.
6. Emergency key blade.
7. Emergency key blade release button.

## Unlocking



Press to unlock. See **UNLOCKING AND DISARMING THE VEHICLE** (page 18).

## Locking



Press to lock. See **LOCKING AND ARMING THE VEHICLE** (page 19).

## Luggage compartment



Press to unlock, disarm and open the luggage compartment. The vehicle security system will remain active, but for the period the luggage compartment is open, the intrusion and inclination sensing systems will be inhibited. Door and hood security will remain active.

When the luggage compartment is subsequently closed, the hazard warning lamps will flash after a few seconds, to confirm that the vehicle has rearmed the full alarm system (if previously armed).

## Approach lamps



When approaching the vehicle in the dark, press to switch on the approach illumination. The headlamps will illuminate for up to 25 seconds. Pressing the button again or operating the starter button, will turn the approach lamps off.

# Keys and remote controls

## Panic alarm





Press and hold for three seconds, or press three times within three seconds, to activate the emergency alarm. The horn and hazard warning lamps will operate.

Once active for more than five seconds, the alarm can be cancelled by pressing and holding the button for three seconds.

The emergency alarm will also be cancelled if the Jaguar Smart Key is inserted into the starter control unit and the starter button is pressed, or if the vehicle detects a valid Jaguar Smart Key when the starter button is pressed.

## Care of the Jaguar Smart Key

### CAUTIONS

-  Do not expose the Jaguar Smart Key to extremes of heat, dust, humidity or allow contact with fluids.
-  Do not leave the Jaguar Smart Key exposed to direct sunlight.

## Irregular operation

If difficulty is experienced with remote keyless entry, keyless entry, keyless starting or Jaguar Smart Key operation, it may be caused by:

- Internal battery low voltage. Replace the battery. See **CHANGING THE REMOTE CONTROL BATTERY** (page 22).
- High levels of localised external electrical interference, e.g. a radio transmitter.

Until the Jaguar Smart Key battery can be replaced, or until the vehicle is outside the area of electrical interference, the Jaguar Smart Key should be inserted into the starter control unit. See **DOCKING/UNDOCKING THE JAGUAR SMART KEY** (page 19).

## UNLOCKING AND DISARMING THE VEHICLE



Your vehicle can be unlocked using either Single or Multi-point entry. Single-point entry is a security

feature that only unlocks the driver's door when the unlock button is pressed.

To change from single to multi-point entry (or vice versa), press both the lock and unlock buttons on the Jaguar Smart Key simultaneously for three seconds. The hazard warning lamps will flash twice to confirm the change. The change can also be achieved using the vehicle touch-screen. See **PROGRAMMING THE REMOTE CONTROL** (page 21).

### Single-point entry

**First press:** Unlocks the driver's door and enables the passenger door to be opened from the inside. The hazard warning lamps will flash twice to indicate that the vehicle is unlocked and the alarm has been disarmed. The interior lamps will illuminate to assist entry to the vehicle.

**Second press:** Unlocks the passenger door and the luggage compartment.

### Multi-point entry

Press briefly to unlock the doors and luggage compartment and to disarm the alarm. The hazard warning lamps will flash twice to indicate that the vehicle is unlocked and the alarm has been disarmed. The interior lamps will illuminate to assist entry to the vehicle.


### Global open

Press and hold the unlock button to open all the windows on the vehicle.

# Keys and remote controls

## LOCKING AND ARMING THE VEHICLE

### CAUTION

 The vehicle will only lock, if all door, luggage compartment and hood apertures are closed. If a lock attempt is made when an aperture is open, the vehicle will not lock and two audible error warnings will sound.



Press and release the lock button to lock the vehicle and arm the alarm. The doors are prevented

from being opened from outside of the vehicle. The doors can be unlocked and opened from inside the vehicle. The hazard warning lamps will flash once as confirmation.

### Lock confirmation

If you are uncertain whether the vehicle is locked and armed, press the lock button again. An audible confirmation will sound and the hazard warning lights will flash to indicate and confirm the current lock status.

**Note:** If the vehicle is **not** already locked and armed, pressing the lock button will lock the vehicle.

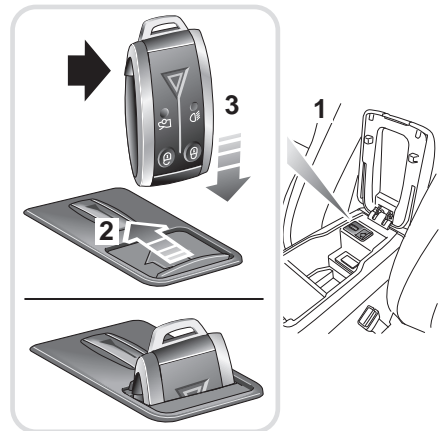
### Automatic relocking

If a door or the luggage compartment are not opened within 40 seconds of unlocking the vehicle using the Jaguar Smart Key, the doors will lock again automatically. This feature can be enabled/disabled using the touch-screen. See **PROGRAMMING THE REMOTE CONTROL** (page 21).

## DOCKING/UNDOCKING THE JAGUAR SMART KEY

### Docking the Jaguar Smart Key

During normal operation, it is not necessary to dock the Jaguar Smart Key. However, if the unlock button on the Smart Key fails to operate and the vehicle has been unlocked using the emergency key blade, it will be necessary to dock the Jaguar Smart Key, to deactivate and disarm the alarm system.



JAG1350


1. Lift the lid of the center console stowage compartment.
2. Slide open the cover of the starter control unit.
3. Insert the Jaguar Smart Key into the recess with the emergency key release button facing forward.

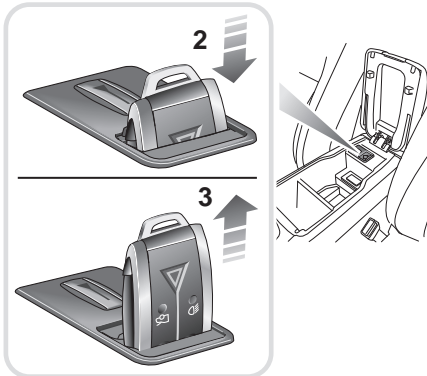
**Note:** This is not a Jaguar Smart Key internal battery recharging procedure. The battery is non-rechargeable.

# Keys and remote controls

## Undocking the Jaguar Smart Key

### CAUTION

 Ensure the engine is switched off before undocking the Jaguar Smart Key, otherwise damage to the Smart Key may occur.



JAG1351

To remove the Jaguar Smart Key from the starter control unit:

1. Ensure that the vehicle is at rest with the gear selector in the **P** position and the engine not running.
2. Carefully depress the Jaguar Smart Key and release. The key will eject into its rest position.
3. Remove the Jaguar Smart Key from the starter control unit.

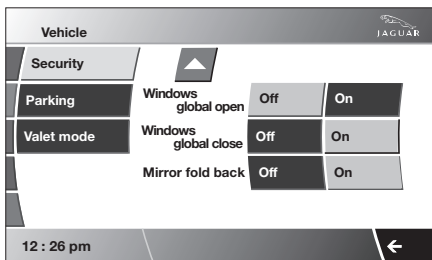
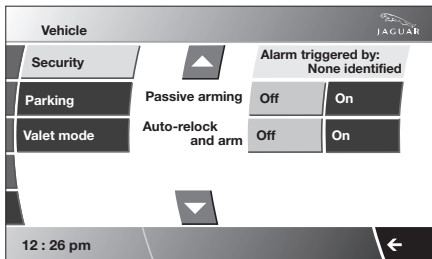
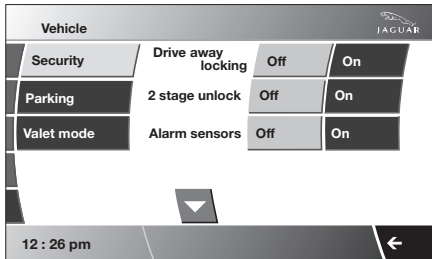
## Message center information displays

Message	Meaning
SMART KEY NOT FOUND, PLEASE INSERT IN SLOT	The Jaguar Smart Key has not been detected, insert into the starter control unit.
CHECK SMART KEY	Check that the Jaguar Smart Key is in the vehicle.
WRONG SMART KEY FOUND	The Jaguar Smart Key detected by the in-vehicle systems is not the one belonging to the vehicle.
REMOVE SMART KEY	Remove the Jaguar Smart Key from the starter control unit.

# Keys and remote controls

## PROGRAMMING THE REMOTE CONTROL

The Jaguar Smart Key, and various features of the vehicle security system, can be programmed to your individual requirements by use of the touch-screen.



JAG1452

To access the programmable features, select **Vehicle** from the Home menu, then select **Veh. settings**. The **Security** menu is displayed automatically as the default.

The Security menu consists of 3 screens. Use the arrow buttons to scroll to the desired entry.

The programmable features are as follows:

- Drive-away locking.
- Central or two stage locking.
- Sensor override.
- Window global open or close (passive entry vehicles only).
- Valet mode. See **VALET MODE** (page 28).
- Passive arming.
- Automatic relock and arm.

### Selecting drive-away locking

- Select the arrow button to scroll down to **Drive away locking** and select either **On** or **Off**.

### Setting the drive-away locking speed

Once **Drive away locking On** is selected, select the speed from the list at which you want the locks to activate (8, 16 or 32 km/h or 5, 10 or 20 mph). To change between Imperial and Metric measurement units, select **Units**.

### Selecting single (2 stage unlock) or multi-point entry

- Select **2 stage unlock On** (for single-point entry) or **Off** (for multi-point entry).

**Note:** This selection changes the setting for both keyless entry and for when unlocking using the Jaguar Smart Key.

### Selecting alarm sensor override

- Select **Alarm sensors Off** or **On**.

This will override the interior and tilt alarm sensors until the engine is next started. It is normally used for recovery of the vehicle or when travelling on a ferry.

### Selecting global opening or closing

- Scroll down to **Global open** or **Global close** and select either **On** or **Off**.

# Keys and remote controls

## Selecting passive arming

- Scroll down to **Passive arming** and select either **On** or **Off**.

## Selecting automatic relock and arm

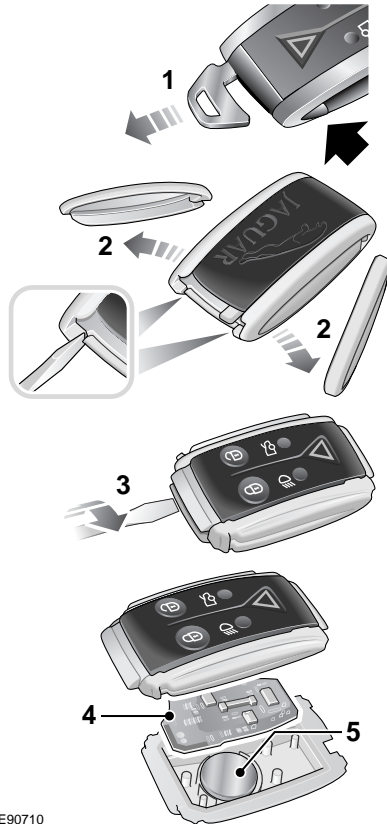
- Scroll down to **Auto-relock and arm** and select either **On** or **Off**.

## CHANGING THE REMOTE CONTROL BATTERY

When the battery needs renewing, there will be a significant decrease in the effective range of the Jaguar Smart Key transmitter and the message **SMART KEY BATTERY LOW** is displayed in the message center.

To renew the battery:

1. Remove the key blade from the Jaguar Smart Key. See **USING THE JAGUAR SMART KEY** (page 17).
2. Remove the two side covers, one at a time, by inserting a small, flat-bladed, screwdriver between the cover and body and twist the screwdriver.
3. Insert a small, flat-bladed, screwdriver between the two body halves of the remote handset. Apply light pressure to the screwdriver and separate the two halves.
4. Remove the printed circuit board, taking care not to touch the battery terminals. Remove the old battery and dispose of it safely.
5. Fit a new battery cell, type CR2032 (available from your Jaguar Dealer), with the side marked with the positive symbol (+) downwards in the battery receptacle. Avoid touching the new battery as moisture and oil from the fingers can reduce the life of the battery and corrode the contacts.



E90710

Refit the parts in the reverse order making sure that they click securely into place.

## Battery disposal



Used batteries must be disposed of correctly, as they contain a number of harmful substances. Seek advice on disposal from your Dealer and/or your local authority.

# Keys and remote controls

---

## EMERGENCY KEY BLADE



E90689

**To extract:** Press and hold the release button (arrowed) while pulling the key blade from the Jaguar Smart Key body.

**To insert:** Press and hold the release button while pushing the key blade into the appropriate slot in the Jaguar Smart Key.

The key blade operates the left-hand door lock, the luggage compartment lock and glove compartment lock. See **USING THE EMERGENCY KEY BLADE** (page 25).