

Headlamp Leveling Module

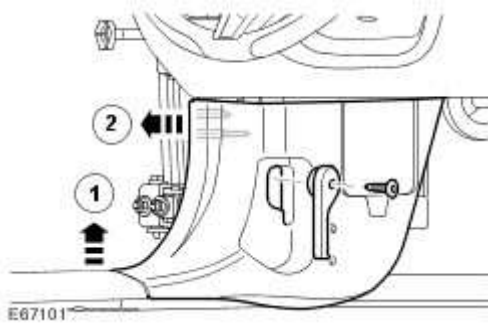
Removal

- 1 . Disconnect the battery ground cable.
For additional information, refer to Specifications
- 2 . Remove the blower motor.
For additional information, refer to Blower Motor (82.25.66)

3 . NOTE:

LH illustration shown, RH is similar.

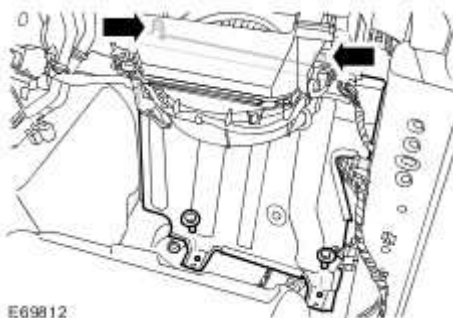
Remove the RH cowl side trim panel.



- 4 . Remove the subwoofer cover.

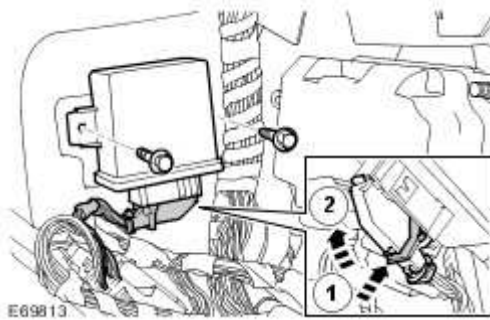
▶ Reposition the carpet for access.

▶ Remove the 4 bolts.



5 . Remove the headlamp leveling module.

- ▶ Remove the 2 bolts.
- ▶ Disconnect the electrical connector.



Installation

1 . To install, reverse the removal procedure.

2 . Install the headlamp leveling module.

- ▶ Tighten the bolts to 3 Nm (2 lb.ft).

3 . Install the subwoofer cover.

- ▶ Tighten the bolts to 10 Nm (7 lb.ft).