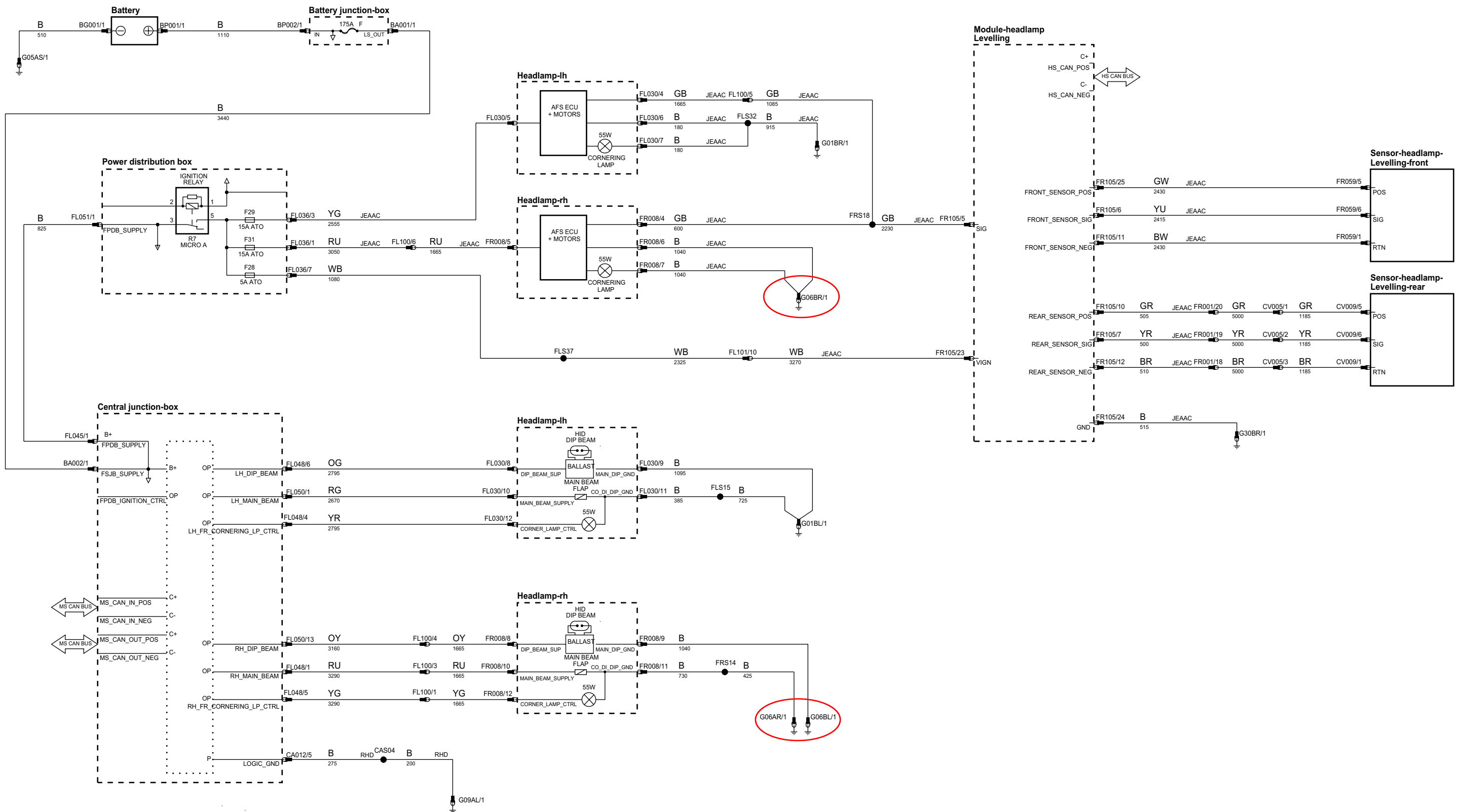


ph7w83-70066-b-ab



B- Battery Voltage	IP Input	VREF Sensor/Signal Supply V	HS CAN BUS High speed controller area network bus	MOST BUS Media oriented systems transport bus
P Power Ground	OP Output	GRES Sensor/Signal Ground	MS CAN BUS Medium speed controller area network bus	D Serial and Encoded Data

VARIANT: HID Headlamp
 VIN RANGE: All
 DATE OF ISSUE: September 2006