

QUICK CONNECTORS

S

S plastic quick connectors are designed to connect media carrying lines on automobiles and have been developed for fuel system applications. The connectors can be used for both line-to-line and line-to-device connections.



The advantages at a glance

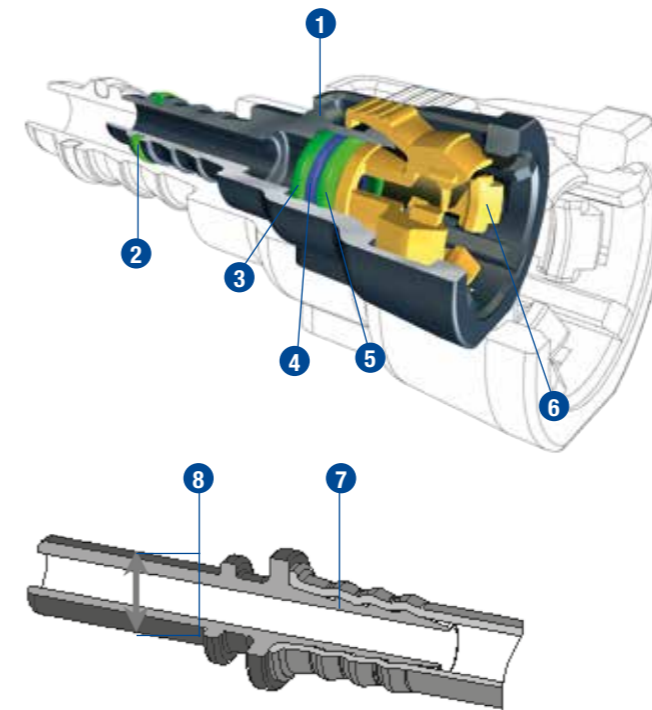
- Extremely low permeation rates
- Quick assembly time equaling cost reduction
- Automated production, no human factor means less margin of error
- No tools needed
- Possible to install in extremely small installation conditions
- An integrated seal provides optimal tightness
- Closing cone function, S is protected from unintentional opening and cannot be locked under pressure

Easily combined with other NORMA Group products such as:

- NORMA Group Fluid systems (See page 56)

CONNECTING SPIGOT – TO SAE J2044, STANDARD WORLDWIDE

Please note that all S quick connectors are delivered without SAE spigot. However, we will be pleased to offer suitable SAE spigots on request.



The advantages at a glance

- Fast assembly without tool – time and cost reduction
- Robot assembly possible – automated processes
- Compact building method – employment in extremely close installation conditions possible
- Integrated seal – optimal tightness
- Closing cone principle – S is protected from unintentional opening and cannot be unlocked under pressure

- 1 Housing
- 2 Firtree plus O-ring (optional)
- 3 Primary O-ring
- 4 Spacer
- 5 Secondary O-ring
- 6 Retainer (spring)
- 7 Adapter
- 8 Diameter of connecting spigot – Nominal Width (NW)

Insider tip

The perfectly matched system is achieved when combining S quick connectors and NORMA Group Fluid systems.

Technical features

- **Medium/Fluid:** Fuel, urea, oil
- **Operating pressure:** Approx. 10 bar excess pressure
- **Operating temperature:** Engine compartment
–40°C up to +135°C. Short time up to +150°C (approx. 30 min.)

Meeting the requirements of SAE J2044