


Keys and remote controls

LOCKING AND ARMING THE VEHICLE

CAUTION

 The vehicle will only lock, if all door, luggage compartment and bonnet apertures are closed. If a lock attempt is made when an aperture is open, the vehicle will not lock and two audible error warnings will sound.



Press and release the lock button to lock the vehicle and arm the alarm.

The doors are prevented from being opened from outside of the vehicle. The doors can be unlocked and opened from inside the vehicle. The hazard warning lamps will flash once as confirmation.

Press the lock button twice within three seconds to double-lock all the doors and set the alarm system to provide the highest level of security - use this method whenever possible.

Note: When the vehicle is double locked, the interior door handles are immobilised.

WARNING



Never double-lock the vehicle when someone is to remain inside the vehicle. In an emergency, they would not be able to open the doors.

Global close

Press and hold the lock button to close all the windows on the vehicle.

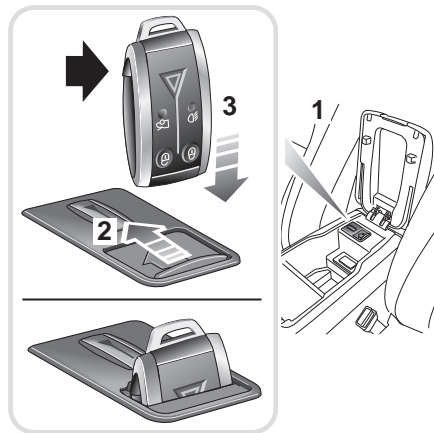
Automatic relocking

If a door or the luggage compartment are not opened within 40 seconds of unlocking the vehicle using the Jaguar Smart Key, the doors will lock again automatically. This feature can be enabled/disabled using the touch-screen. See **PROGRAMMING THE REMOTE CONTROL** (page 20).

DOCKING/UNDOCKING THE JAGUAR SMART KEY

Docking the Jaguar Smart Key

During normal operation, it is not necessary to dock the Jaguar Smart Key. However, if the unlock button on the Smart Key fails to operate and the vehicle has been unlocked using the emergency key blade, it will be necessary to dock the Jaguar Smart Key, to deactivate and disarm the alarm system.



JAG1350

1. Lift the lid of the centre console stowage compartment.
2. Slide open the cover of the starter control unit.
3. Insert the Jaguar Smart Key into the recess with the emergency key release button facing forward.

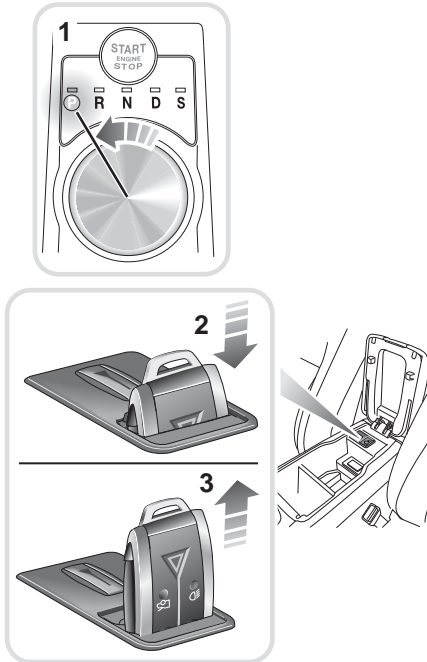
Note: This is not a Jaguar Smart Key internal battery recharging procedure. The battery is non-rechargeable.

Keys and remote controls

Undocking the Jaguar Smart Key

CAUTION

⚠ Ensure the engine is switched off before undocking the Jaguar Smart Key, otherwise damage to the Smart Key may occur.



JAG1351

To remove the Jaguar Smart Key from the starter control unit:

1. Ensure that the vehicle is at rest with the gear selector in the **P** position and the engine not running.
2. Carefully depress the Jaguar Smart Key and release. The key will eject into its rest position.
3. Remove the Jaguar Smart Key from the starter control unit.

Message centre information displays

Message	Meaning
SMART KEY NOT FOUND, PLEASE INSERT IN SLOT	The Jaguar Smart Key has not been detected, insert into the starter control unit.
CHECK SMART KEY	Check that the Jaguar Smart Key is in the vehicle.
WRONG SMART KEY FOUND	The Jaguar Smart Key detected by the in-vehicle systems is not the one belonging to the vehicle.
REMOVE SMART KEY	Remove the Jaguar Smart Key from the starter control unit.