
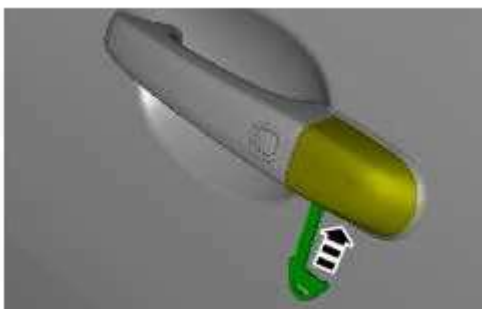


Door Lock Cylinder Cover

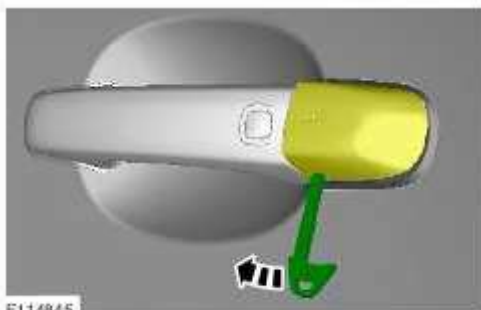
Removal

- 1  **CAUTION: Make sure that excessive force is not used. Failure to follow this instruction may result in damage to the vehicle.**



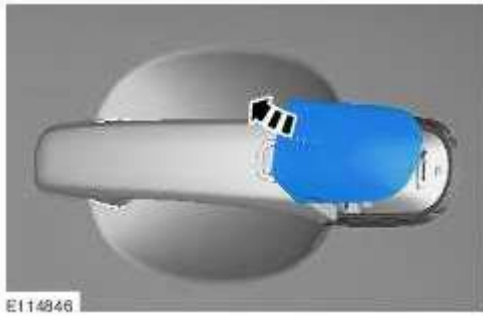
E114844

2.




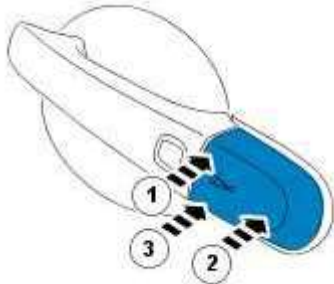
E114845

3.



Installation

- 1  **CAUTION:** Make sure that the door lock cylinder cover is pushed firmly in the sequence shown to install all 3 clips, and that the door lock cylinder cover is securely attached to the vehicle. Failure to follow this instruction may result in damage to the vehicle.



Exterior Door Handle (76.58.07)

Removal

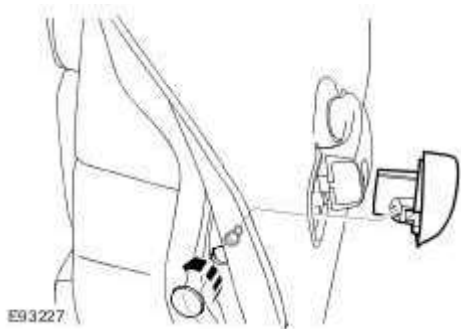
All vehicles

1 . NOTE:

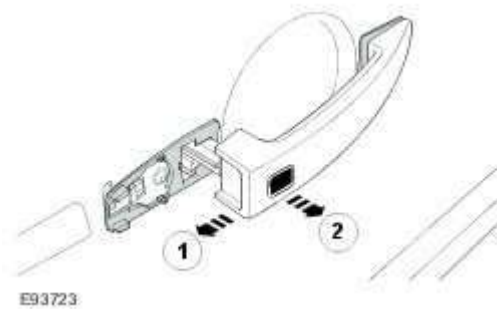
Remove the screw sufficiently, only to release the component.

Remove the door lock cylinder.

- ▶ Position the door seal aside for access.
- ▶ Remove the screw cover.
- ▶ Loosen the Torx screw to release the lock.



2 . Release the front door exterior handle.



Vehicles with keyless entry

3



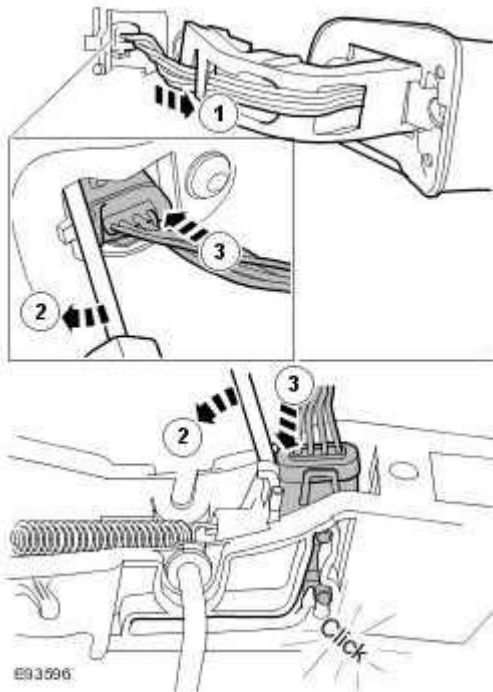
CAUTION: Take extra care not to damage the wiring harnesses.



CAUTION: Make sure the electrical connector is securely in the service position, before disconnection. If the connector springs back after disconnection the internal door trim panel will have to be removed for access.

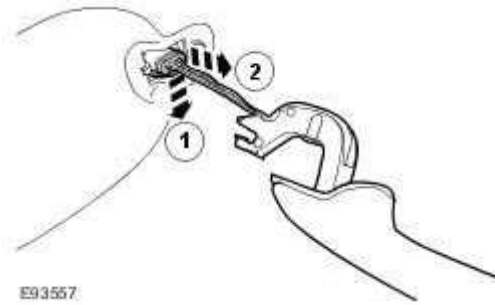
Position the electrical connector in the service position.

- ▶ Carefully pull on the harness to position the electrical connector at the door panel (1).
- ▶ Use a small screwdriver to align the electrical connector with its service location (2).
- ▶ While retaining its alignment, push on the electrical connector to 'click' it into its service location (3).



Vehicles with keyless entry

- 4 . Disconnect the electrical connector.

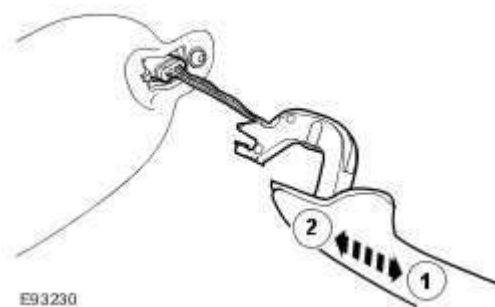


Installation

Vehicles with keyless entry

- 1 . Connect and secure the electrical connector.

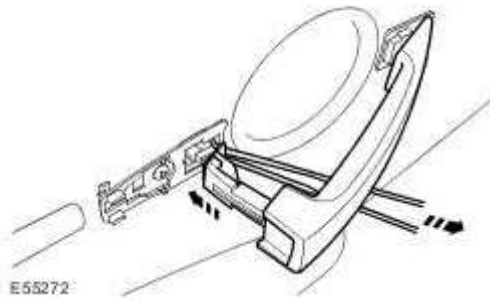
▶ Release the electrical connector from the service position.



All vehicles

- 2 Install the exterior door handle.

▶ Use a length of cord to hold the lock lever against spring pressure, while engaging the outside handle.



3 . Install the door lock cylinder.

- ▶ Tighten the Torx screw to 6 Nm (4 lb.ft).
- ▶ Install the screw cover.
- ▶ Re-position the seals if required.

Front Door Lock Actuator (76.37.74)

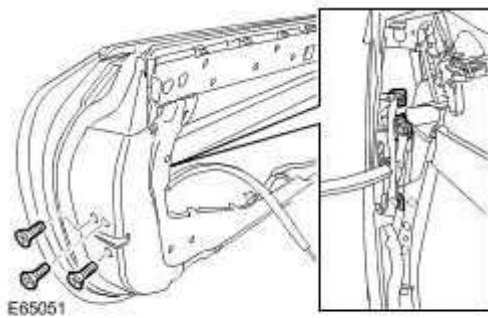
Removal

- 1 . Remove the window regulator.

For additional information, refer to [Front Door Window Regulator](#)

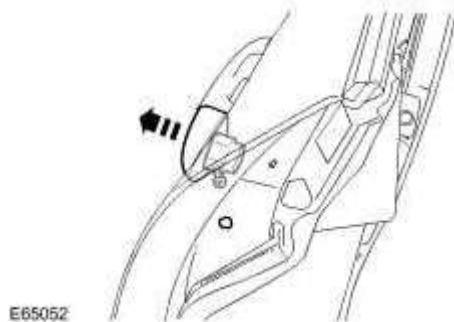
- 2 . Release the door latch.

- ▶ Remove the 3 Torx bolts.
- ▶ Disconnect the 3 electrical connectors.



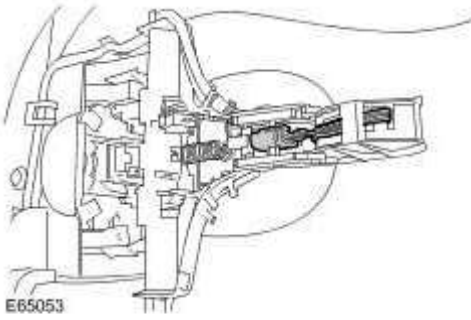
- 3 . Remove the door lock cylinder.

- ▶ Remove the Torx screw.



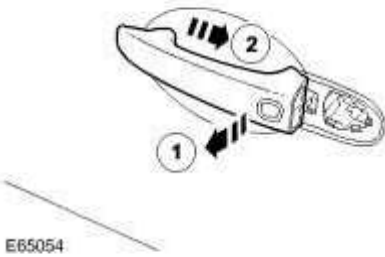
- 4 . Release the front door exterior handle.

- ▶ Disconnect the electrical connector.



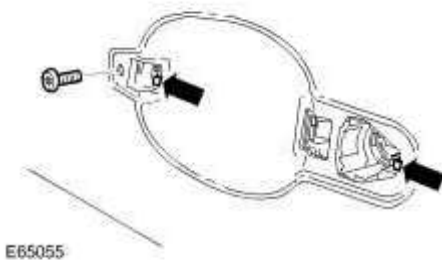
5 . Remove the front door exterior handle.

- ▶ Release from the door handle mechanism.



6 . Remove the door handle mechanism and latch assembly.

- ▶ Remove the Torx screw.
- ▶ Release the retainer.

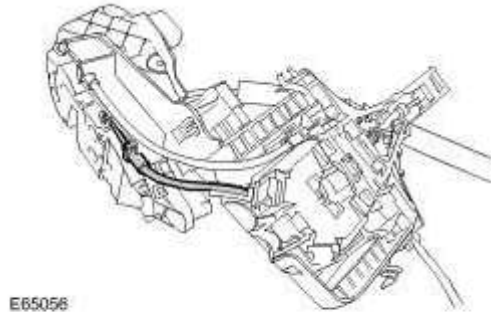


7 . NOTE:

Do not disassemble further if the component is removed for access only.

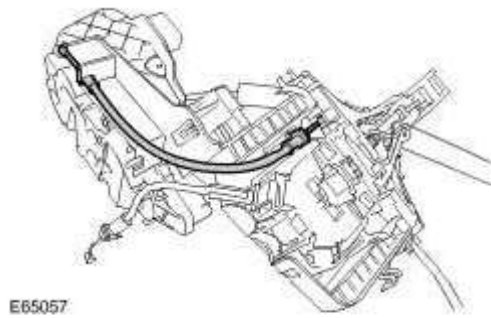
Detach the door release cable from the door handle mechanism.

▶ Carefully release the clips.



8 . Detach the door lock cable from the door latch.

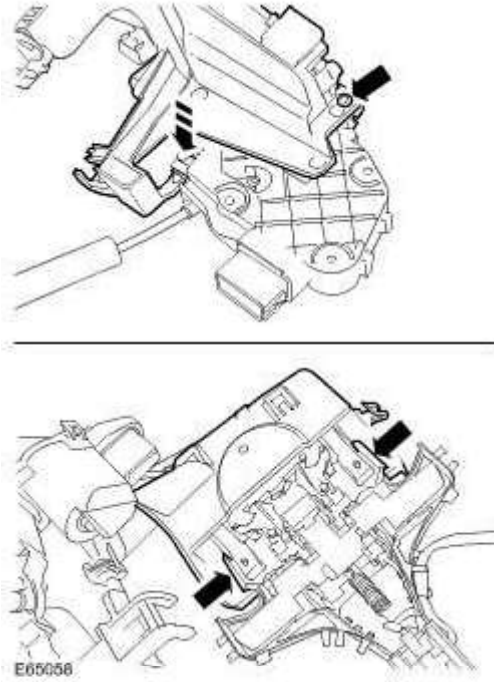
▶ Carefully release the clips.



9 . Remove the door handle mechanism and latch assembly security panel.

▶ Drill out the rivet.

▶ Release the 2 clips.



Installation

- 1 . Install the door handle mechanism and latch assembly security panel.
 - ▶ Secure in the clips.
 - ▶ Install the new rivet.
- 2 . Attach the door lock cable to the door latch.
 - ▶ Secure in the clips.
- 3 . Attach the door release cable to the door handle mechanism.
 - ▶ Secure in the clips.
- 4 . Install the door handle mechanism and latch assembly.
- 5 . Install the front door exterior handle.
 - ▶ Attach to the door handle mechanism.
- 6 . Secure the front door exterior handle.
 - ▶ Connect the electrical connector.
- 7 . Install the door lock cylinder.
 - ▶ Tighten the Torx screw to 6 Nm (4 lb.ft).

8 . Secure the door latch.

▶ Tighten the Torx bolts to 7 Nm (5 lb.ft).

▶ Connect the electrical connectors.

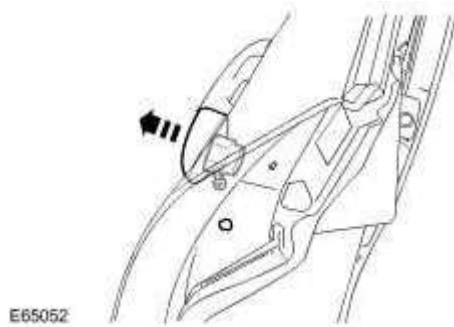
9 . Install the window regulator.

For additional information, refer to [Front Door Window Regulator](#)

Front Door Lock Cylinder (76.37.71)

Removal

- 1 . Remove the door lock cylinder.
 - ▶ Remove the Torx screw.



Installation

- 1 . Install the door lock cylinder.
 - ▶ Tighten the Torx screw to 6 Nm (4 lb.ft).