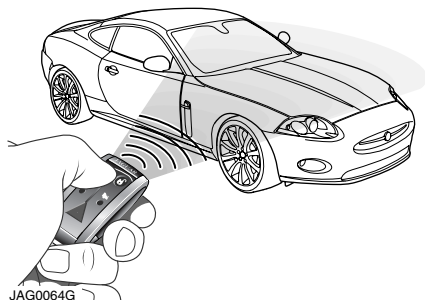


Keys and Remote Controls

PRINCIPLE OF OPERATION

The security system and entry to the vehicle are controlled by the Jaguar Smart Key. Both doors and the luggage compartment can be locked and unlocked using the remote control buttons.



Keyless Entry is an enhancement of the Jaguar Smart Key. It allows entry to the vehicle without any button pressing.

Full security integrity of the vehicle is still maintained, see **Keyless Entry** page 41.

The remote control also allows the vehicle to be started without the use of an ignition key - **Keyless Starting**, see page 50.

Two handsets, comprising of a transmitter body with a detachable metal emergency key blade are supplied. Separate emergency key blades are available from Jaguar Dealers.

Caution:

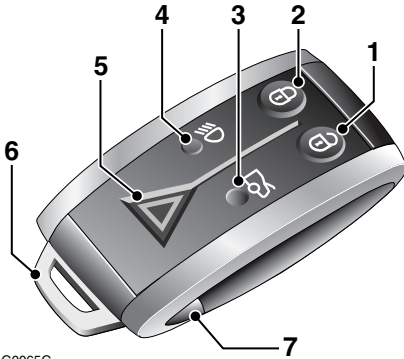
- **Remove all remote controls from the vehicle when it is left unattended. This will ensure the vehicle is left in a secure condition.**
- **If a remote control is lost, a replacement can be obtained and programmed to the vehicle by a Jaguar Dealer. Notify a Jaguar Dealer as soon as a remote control is lost or stolen and have the remaining remote control(s) reprogrammed.**

The emergency key blade number is recorded on an attached label. Peel off the label and attach it to the designated area on the Security Card supplied in the vehicle literature pack. Keep the Security Card safe, but not in the vehicle.

Keys and Remote Controls

USING THE REMOTE CONTROL

The remote handset, Jaguar Smart Key, allows the vehicle to be unlocked and the engine to be started without the use of an ignition key - Keyless Starting, see page 50.



JAG0065G

1. Unlocks and disarms the vehicle.



Central unlocking

One press: Unlocks all doors and the luggage compartment.

The direction indicators will flash twice.

Two stage unlocking

One press: Unlocks the driver's door and the luggage compartment. The direction indicators will flash twice (in certain markets two audible warnings will be emitted).

Two presses (within three seconds):

Unlocks the passenger door.

Note: Changing from central locking to two stage locking and back again can be carried out by pressing the lock and unlock buttons simultaneously for four seconds or via the touch-screen, see page 46. The directional indicators will flash twice to confirm that the change has been carried out.

Press and hold the button to globally open the vehicle windows, if enabled, see page 47. Press and hold opens all windows as well as the programmed door opening.

2. Locks and arms the vehicle.



First press (if vehicle is unlocked and disarmed):

Locks all doors, luggage compartment and sets the alarm system. The direction indicators will flash once.

3. Releases the luggage compartment lock.



When the vehicle alarm system is armed and the luggage compartment only is opened, the door and hood security is still active. The doors will remain locked and armed. See page 43.

4. Activates the convenience headlamp feature.



One press switches on headlamps. The headlamps will remain on for 25 seconds, or until the button is pressed again, or until the engine START/STOP button is pressed.

Keys and Remote Controls

5. Activates the panic alarm.



Press the button three times within three seconds.

The alarm is stopped by:

- Pressing the button again three times within three seconds.
- Inserting the Jaguar Smart Key into the starter control unit, see page 37.
- The vehicle detecting a valid Jaguar Smart Key when the START/STOP button is pressed.

Note: *The panic alarm cannot be cancelled within the first 5 seconds of the alarm activating.*

6. Emergency key blade.

To use the emergency key blade see page 45.

7. Emergency key blade release button.



JAG0075G

To extract: press the release button and hold while withdrawing the key blade.

To insert: press and hold the button and push the key blade into the Jaguar Smart Key transmitter housing.

To extract: press the release button and hold while withdrawing the key blade.

The key blade operates the door lock on the left-hand side of the vehicle, the luggage compartment lock and glove compartment lock, see page 45.

Care of the remote handset

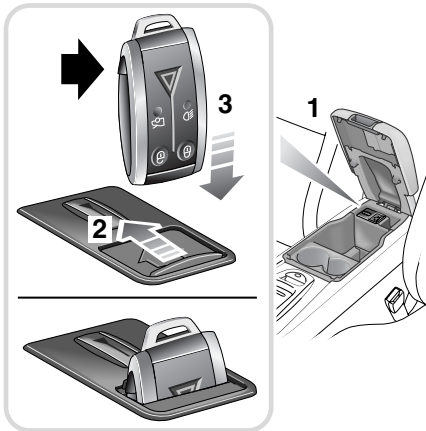
Do not expose to extremes of heat, dust, humidity or allow contact with fluids. Do not leave the transmitter exposed to direct sunlight.

Keys and Remote Controls

Irregular remote control operation

If difficulty is experienced with remote keyless entry, passive entry, passive starting or Jaguar Smart Key operation, it may be caused by:

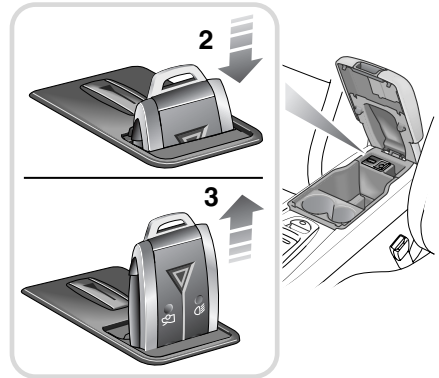
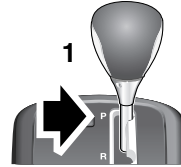
- internal battery low voltage and therefore the battery should be replaced, see page 40, or
- high levels of localised external electrical interference e.g. radio transmitter.



JAG0066G

Until the battery can be replaced, or until the vehicle is outside the local electrical interference zone, the Jaguar Smart Key must be inserted into the starter control unit.

1. Lift the lid of the centre console stowage compartment.
2. Slide open the cover of the starter control unit.
3. Insert the Jaguar Smart Key into the recess with the emergency key release button facing forward.



JAG0061G

To remove the Jaguar Smart Key from the starter control unit:

1. Ensure that the vehicle is at rest with the gear selector in the **P** position and the engine not running.
2. Carefully depress the Jaguar Smart Key and release. The key will eject into its rest position.
3. Remove the Jaguar Smart Key from the starter control unit.

Note: This is not a Jaguar Smart Key internal battery recharging procedure. The battery is non-rechargeable.

Keys and Remote Controls

Message centre information displays

Message	Warning Light	Priority Indicator	Meaning
SMART KEY NOT FOUND, PLEASE INSERT IN SLOT	None	None	The Jaguar Smart Key has not been detected, insert into the starter control unit, see page 37.
CHECK SMART KEY	None	None	Check that the Jaguar Smart Key is in the vehicle.
WRONG SMART KEY FOUND	None	None	The Jaguar Smart Key detected by the in-vehicle systems is not the one belonging to the vehicle.
REMOVE SMART KEY	None	None	Remove the Jaguar Smart Key from the starter control unit.

Keys and Remote Controls

Jaguar Smart Key system transmitters

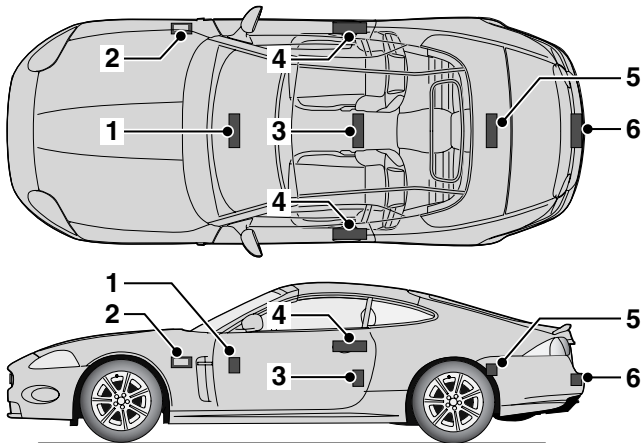


WARNING:

Any person fitted with an implanted pacemaker should ensure that the pacemaker is kept at a distance of at least 22 cm (8.7 inches) away from any transmitter mounted in the vehicle.

This is to avoid any possibility of interference between the system and pacemaker.

1. Cabin front transmitter.
2. Keyless vehicle module.
3. Cabin rear transmitter.
4. Exterior door handle transmitters.
5. Luggage compartment interior transmitter.
6. Luggage compartment exterior transmitter.

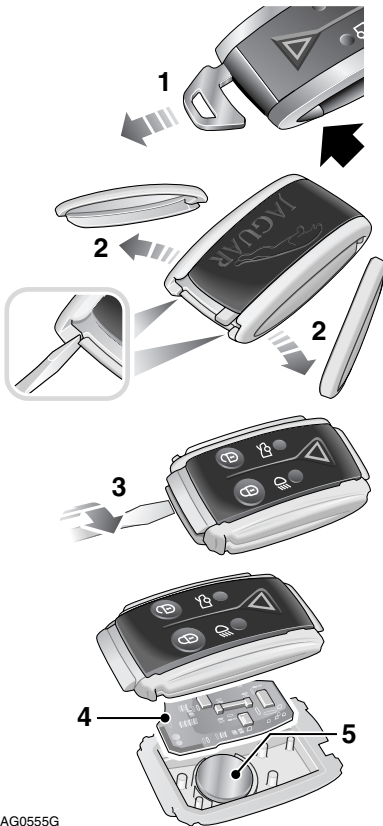


JAG0543G

Keys and Remote Controls

CHANGING THE REMOTE CONTROL BATTERY

Battery renewal



JAG0555G

When the battery needs renewing there will be a significant decrease in the effective range of the key transmitter and the message **SMART KEY BATTERY LOW** is displayed on the message centre.

To renew the battery, follow the procedure below:

1. Remove the key blade from the Jaguar Smart Key, see page 36.
2. Remove the two side covers, one at a time, by inserting a small, flat blade, screwdriver between the cover and body and lightly twist the screwdriver.
3. Insert a small, flat bladed, screwdriver between the two body halves of the remote control. Apply light pressure to the screwdriver and separate the two halves.
4. Remove the printed circuit board, taking care not to touch the battery terminals. Remove the old battery and dispose of it safely.
5. Fit a new battery cell, type CR2032 (available from your Jaguar Dealer), with the side marked with the positive symbol (+) downwards in the battery receptacle. Avoid touching the new battery as moisture/oil from the fingers can reduce the life of the battery and corrode the contacts.

Refit the parts in the reverse order ensuring that they click securely into place.