

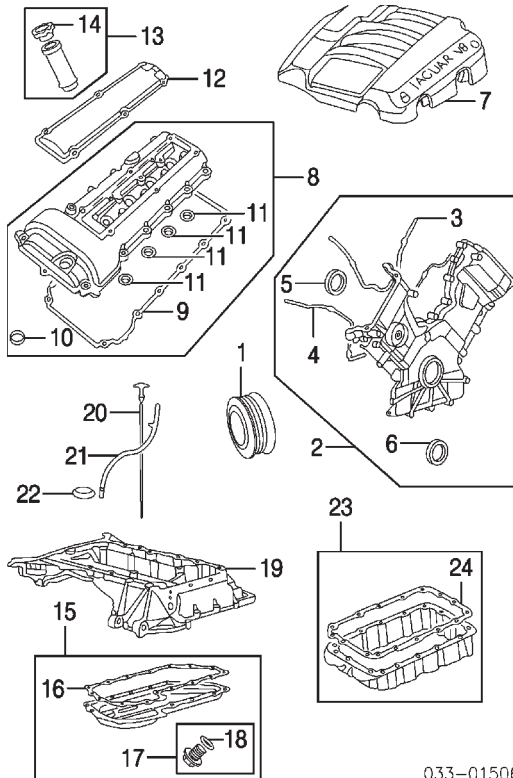
2010 Jaguar XK (none) Convertible

ENGINE/TRANSMISSION

Procedure 12

2007-09

4.2L ENG



0.33-01506

R&I Engine/Trans Assy

w/Supercharger

8.6

w/o Supercharger

8.0

1 Pulley, Crankshaft XK	2.7	AJ811116	\$136.75
XKR	2.7	AJ811117	\$265.50
2 Cover Assy, Timing	#7.2	AJ88536	\$640.00
3 Gasket, Inner¶		AJ83699	\$26.00
4 Gasket, Outer¶		AJ83700	\$57.00
5 Seal, Frt Bearing¶		AJ86747	\$1.60
6 Seal, Crankshaft¶	#3.0	AJ83698	\$54.25
¶Included w/Timing Cover Assy			
#Includes R&R Crankshaft Pulley			
7 Cover, Engine XK	.4	C2P3357	\$105.25
XKR	.4	C2P5448	\$106.00

2010 Jaguar XK (none) Convertible

8	Cover Assy, Valve	07-09	R	#2.2	AJ812391	\$850.00
			L	#2.2	AJ812392	\$173.50
		10	R	#2.2	AJ812272	\$165.00
			L	#2.2	AJ812145	\$173.50
	#R&R Both Sides 3.8					
9	Gasket, Valve Cover (a)					
	2007-09		R		AJ812399	\$37.65
			L		AJ812402	\$37.65
		2010	R		N.A.	
			L		N.A.	
10	Seal, Cover (a)		R		AJ82856	\$26.00
			L		AJ82856	\$26.00
11	Seal, Spark Plug (4/Side) (a)		R		AJ86874	\$2.50
			L		AJ86874	\$2.50
	(a) Included w/Valve Cover Assy					
12	Cover, Coil		R	#.7	AJ86177	\$26.00
			L	#.7	AJ812156	\$28.15
	#Included in R&R Valve Cover					
13	Tube Assy, Oil Filler					
	XK				AJ88581	\$22.70
	XKR				AJ810263	\$23.80
14	Cap, Oil Filler (b)				AJ87922	\$13.55
	(b) Included w/Oil Filler Tube Assy					
15	Pan Assy, Lower Engine Oil			1.6	AJ89496	\$49.50
16	Gasket, Lower Eng Pan (c)				AJ89207	\$11.40
17	Plug Assy, Drain (c)				AJ83017	\$7.75
18	Seal, Drain Plug (c) (d)				NCE1850AB	\$3.80
	(c) Included w/Lower Engine Oil Pan Assy					
	(d) Included w/Drain Plug Assy					
19	Pan, Upper Engine Oil			#11.0	AJ810525	\$337.00
	#Includes R&I Engine Assy & R&R Lower Eng Oil Pan					
20	Dipstick, Engine Oil				C2C22741	\$21.80
21	Tube, Engine Dipstick			.9	C2C22742	\$34.70
22	O-Ring, Tube				KSH108624	\$1.60
23	Pan Assy, Trans Oil			2.0	C2C38963	\$192.50
24	Gasket, Trans Oil Pan (e)				C2C6714	\$32.80