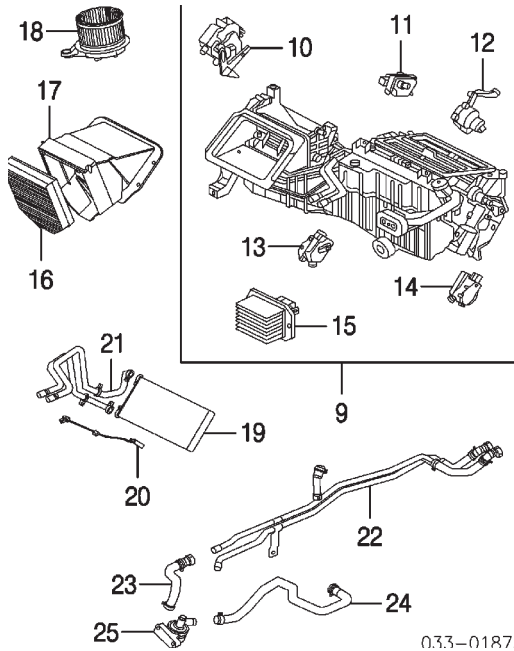


2010 Jaguar XK (none) Convertible

	10	C2P19902	\$211.00
8 Line, Condenser/Evap	07-09	C2P3507	\$242.00
	10	C2P12380	\$215.00

Belt, Drive-See Cooling Section



9 Case Assy, Evaporator	07-09 #1.7	C2P16265	\$1,430.00
	10 #1.7	C2P15645	\$1,400.00

#w/Instrument Panel Assy Removed

Actuator, A/C (a) (b)

10 Type 1	#.4	C2P8264	\$58.50
11 Type 2	#.4	C2P8265	\$58.50
12 Type 3	#.4	C2P8266	\$58.50
13 Type 4	#.4	C2P8267	\$58.50
14 Type 5	#.4	C2P8268	\$58.50

(b) Order by Application

#w/Instrument Panel Assy Removed, Each Additional .2

15 Module, Control (a)	#.6	C2P8269	\$81.75
------------------------	-----	---------	---------

(a) Included w/Evaporator Case Assy

#w/Instrument Panel Assy Removed

16 Filter, Pollen	.7	C2P2410	\$73.00
-------------------	----	---------	---------