

Clockspring

Special Service Tools



E43628

Clockspring locking tool
211-326

Removal



WARNING: Always wear safety glasses when repairing an air bag supplemental restraint system (SRS) vehicle and when handling an air bag module.



WARNING: Carry a live air bag module with the air bag and trim cover pointed away from your body. This will reduce the risk of injury in the event of an accidental deployment. Failure to follow this instruction may result in personal injury.



WARNING: Do not set a live air bag module down with the trim cover face down. Failure to follow this instruction may result in personal injury.



WARNING: After deployment, the air bag surface can contain deposits of sodium hydroxide, a product of the gas generant combustion that is irritating to the skin. Wash your hands with soap and water afterwards. Failure to follow this instruction may result in personal injury.



WARNING: Never probe the connectors on the air bag module. Doing so may result in air bag deployment, which may result in personal injury. Failure to follow this instruction may result in personal injury.



WARNING: Air bag modules with discolored or damaged trim covers must be replaced, not repainted.



WARNING: Vehicle sensor orientation is critical for correct system operation. If a vehicle equipped with an air bag supplemental restraint system (SRS) is involved in a collision, inspect the sensor mounting bracket and wiring pigtail for deformation. If damaged, replace the sensor whether or not the air bag is deployed.



WARNING: To avoid accidental deployment and possible personal injury, the backup power supply must be depleted before repairing or replacing any air bag supplemental restraint system (SRS) components. To deplete the backup power supply energy, disconnect the battery ground cable and wait one minute. Failure to follow this instruction may result in personal injury.



CAUTION: Make sure the wheels are in the straight-ahead position. Failure to follow this instruction may result in damage to the component.

- 1 . Remove the cover and disconnect the battery ground cable.

For additional information, refer to

- 2 . Make the SRS system safe.

For additional information, refer to

- 3 .

For additional information, refer to Driver Air Bag Module (76.73.39)

- 4



- . **CAUTION:** Make sure that special tool 211-326 is installed to the clockspring.



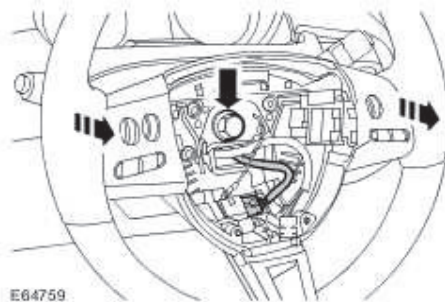
CAUTION: Make sure that the road wheels are in the straight ahead position, failure to follow this instruction may result in damage to the vehicle.

NOTE:

Note the fitted position.

Remove the steering wheel.

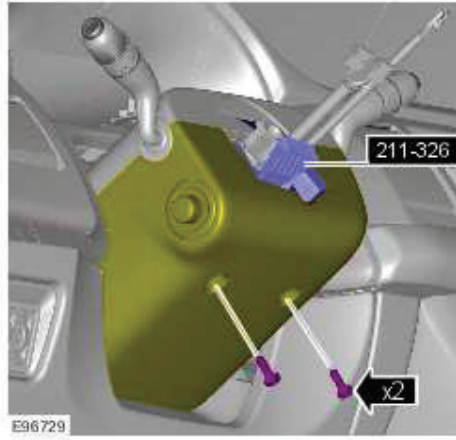
- ▶ Disconnect the electrical connector.
- ▶ Loosen, but do not fully remove the bolt.
- ▶ Release the steering wheel from the spline.
- ▶ Remove the bolt.
- ▶ Release the electrical harness.



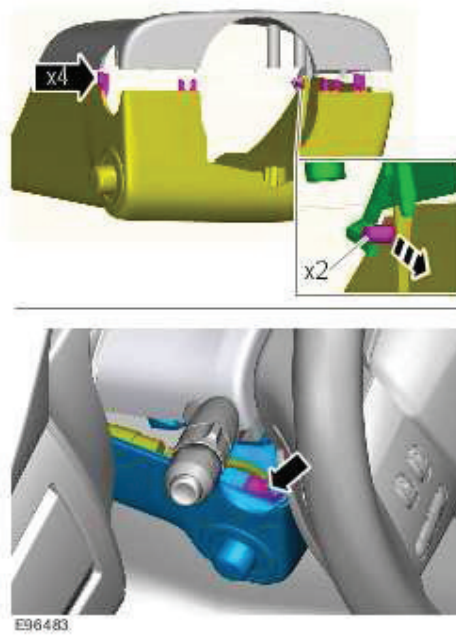
5



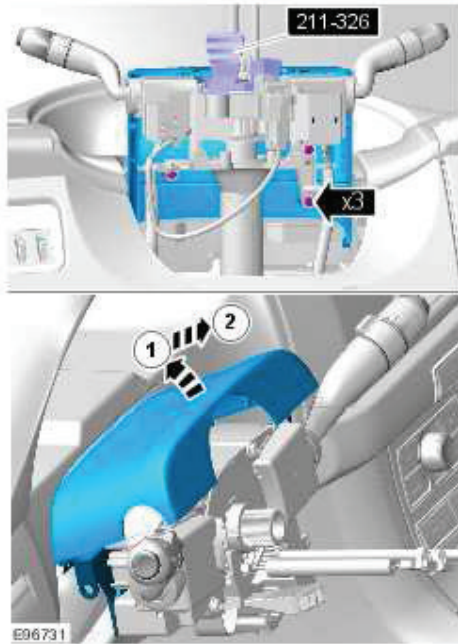
CAUTION: Failing to install the special tool to the clockspring may result in damage to the vehicle.




6.

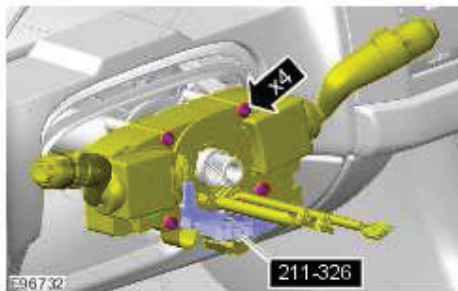



7.

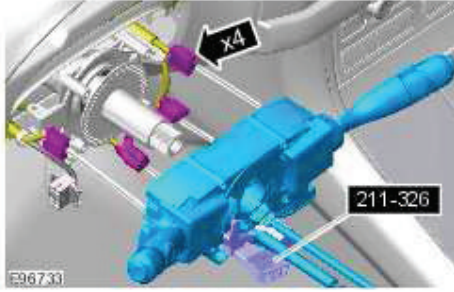


- 8  **CAUTION:** Failing to install the special tool to the clockspring may result in damage to the vehicle.

TORQUE: 6 Nm

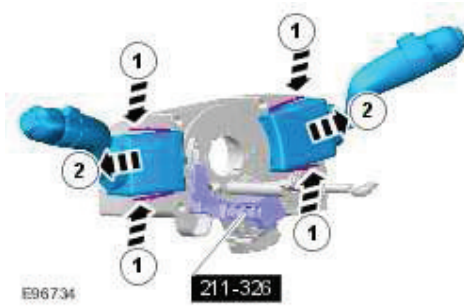


- 9  **CAUTION:** Make sure no damage is occurred to the electrical connectors. Failure to follow this instruction may result in damage to the vehicle.

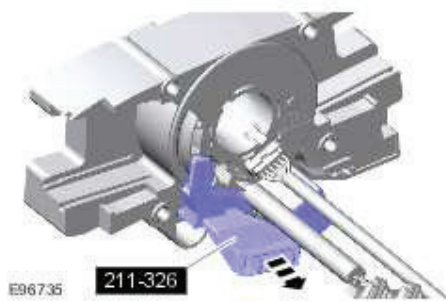


10 . **NOTE:**

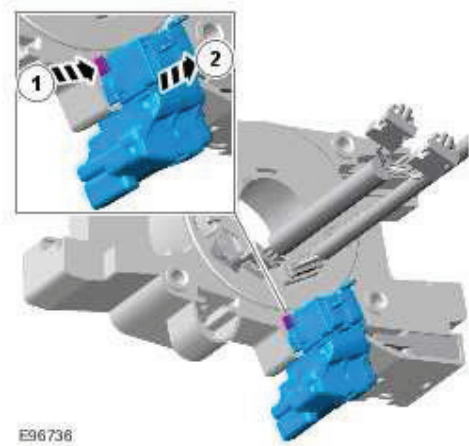
Do not disassemble further if the component is removed for access only.



11 . Remove the special tool.



12 .




Installation

1 . To install, reverse the removal procedure.

2

·  **CAUTION: Make sure that special tool 211-326 is installed to the clockspring.**

 **CAUTION: Make sure that the arrow on the cassette is centered and pointing vertically prior to the steering wheel installation. On removal of the special tool, keep the clockspring cables taught to prevent the cassette moving from the set position. Failure to follow this instruction may result in damage to the component.**

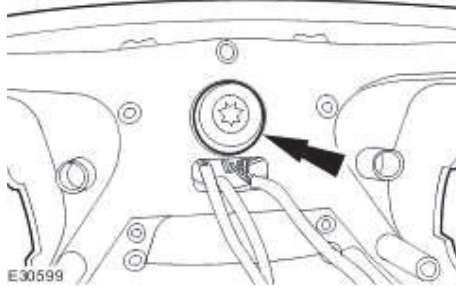
NOTE:

Make sure that the road wheels are in the straight ahead position, failure to follow this instruction may result in damage to the vehicle.

Install the steering wheel.



3 . Tighten to 65 Nm.



4 . Connect the battery ground cable and install the cover.
For additional information, refer to