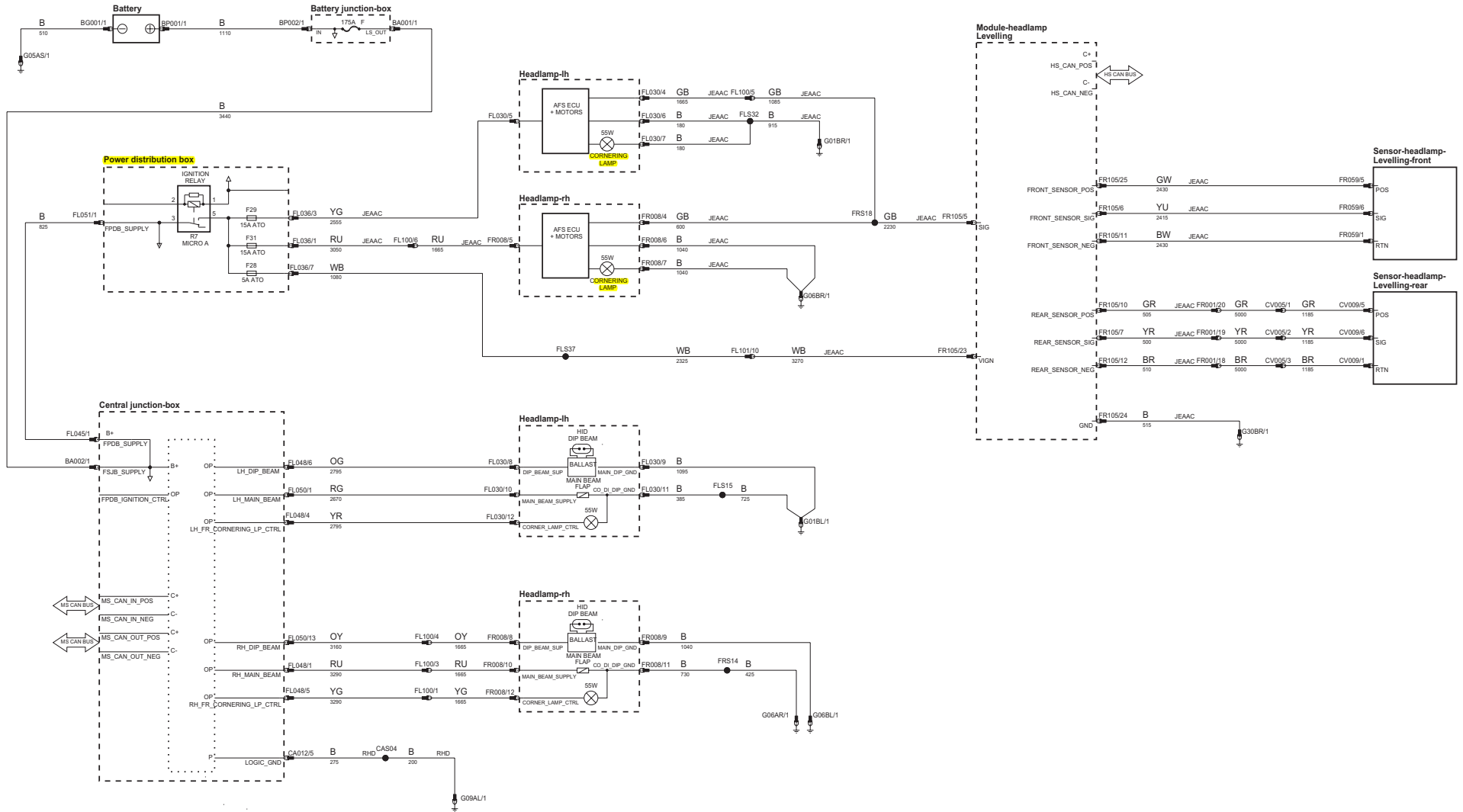


ph7wE3.70565-b-ab



B- Battery Voltage	IP Input	VREF Sensor/Signal Supply V	HS CAN BUS High speed controller area network bus	MOST BUS Media oriented systems transport bus
P Power Ground	OP Output	GREF Sensor/Signal Ground	MS CAN BUS Medium speed controller area network bus	D Serial and Encoded Data
				VARIANT: HID Headlamp
				VIN RANGE: All
				DATE OF ISSUE: September 2006