



MODEL
XK

DATE
06 MAY 2008

NUMBER
JTB00086
(Issue 1)

SERVICE

TECHNICAL BULLETIN

SECTION: 419

'Radar Sensor Blocked' Message Displayed - Repair Procedure

AFFECTED VEHICLE RANGE:

XK (X150)

VIN: B000001 - B26216
Model Year: 2007 - 2008

CONDITION SUMMARY:

'RADAR SENSOR BLOCKED' MESSAGE DISPLAYED

Situation: While attempting to use Adaptive Cruise Control (ACC), the message 'Radar Sensor Blocked' may be displayed in the instrument cluster display with the possibility of Diagnostic Trouble Code (DTC) C1A67-97 and other DTCs being stored.

NOTE: If a blockage occurs while the ACC is already in use, 'Driver Intervene' will be shown followed by 'Radar Sensor Blocked'.

This could be caused by the calibration setting of the ACC system for certain environmental conditions.

Action: Should a customer express the above concern, follow the Repair Procedure outlined in this bulletin below to check for obstructions and reconfigure the speed control module.

PARTS:

No parts required

TOOLS:

Latest IDS DVD; software first available on IDS DVD111 Patch File 1
Midtronics PSC-550 Vehicle Power Supply

WARRANTY:

NOTE: Repair procedures are under constant review, and therefore times are subject to change; those quoted here must be taken as guidance only. Always refer to DDW to obtain the latest repair time.

DDW requires the use of causal part numbers. Labor only claims must show the causal part number with a quantity of zero.

<i>Description</i>	<i>SRO</i>	<i>Time (Hours)</i>	<i>Condition Code</i>	<i>Causal Part</i>
Reconfigure the speed control module	88.99.40	0.20	42	C2P 15674

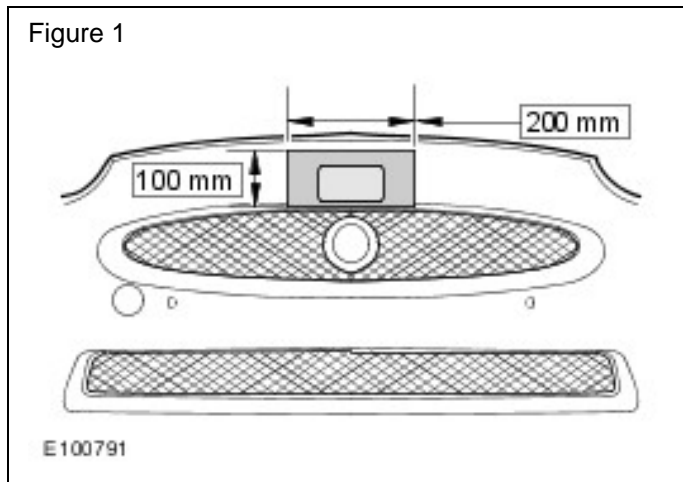
Normal warranty policy and procedures apply.

NOTE: The information in Technical Bulletins is intended for use by trained, professional technicians with the knowledge, tools, and equipment required to do the job properly and safely. It informs these technicians of conditions that may occur on some vehicles, or provides information that could assist in proper vehicle service. The procedures should not be performed by "do-it-yourselfers." If you are not a Dealer, do not assume that a condition described affects your vehicle. Contact an authorized Jaguar service facility to determine whether the bulletin applies to a specific vehicle.

REPAIR PROCEDURE

INSPECT FOR RADAR SENSOR OBSTRUCTIONS

1. Inspect for obstruction (badges, license plates, etc) in front of the radar sensor. (Figure 1)
 - Clear any obstruction found.



RECONFIGURING THE SPEED CONTROL MODULE



CAUTION: A Midtronics PSC-550 Vehicle Power Supply must be connected to the vehicle battery during diagnosis.

1. Connect the Midtronics PSC-550 Vehicle Power Supply to the vehicle battery.



NOTE: IDS must be loaded with software release DVD111 Patch File 1 or later.

2. Connect the IDS to the vehicle and begin a new diagnostic session by entering the correct VIN for the current vehicle.
3. Follow the IDS prompts to read the vehicle configuration.
4. Select 'Yes' when prompted 'Do you wish to read diagnostic trouble codes?'
5. Select 'tick' to continue, following all on-screen instructions to complete this task.
6. Select the 'Vehicle Configuration' tab when Content Model is displayed.
7. From the Vehicle Configuration menu, configure the 'Speed control module' by selecting from the drop-down menu:
 - 'Module programming' > 'Configure existing module' > 'Speed control module'.
8. Select 'tick' to continue, following all on-screen instructions to complete this task.
 - IDS will return to the Vehicle Configuration menu when completed.
9. Exit the current session.
10. Disconnect IDS and the Midtronics PSC-550 Vehicle Power Supply from the vehicle.