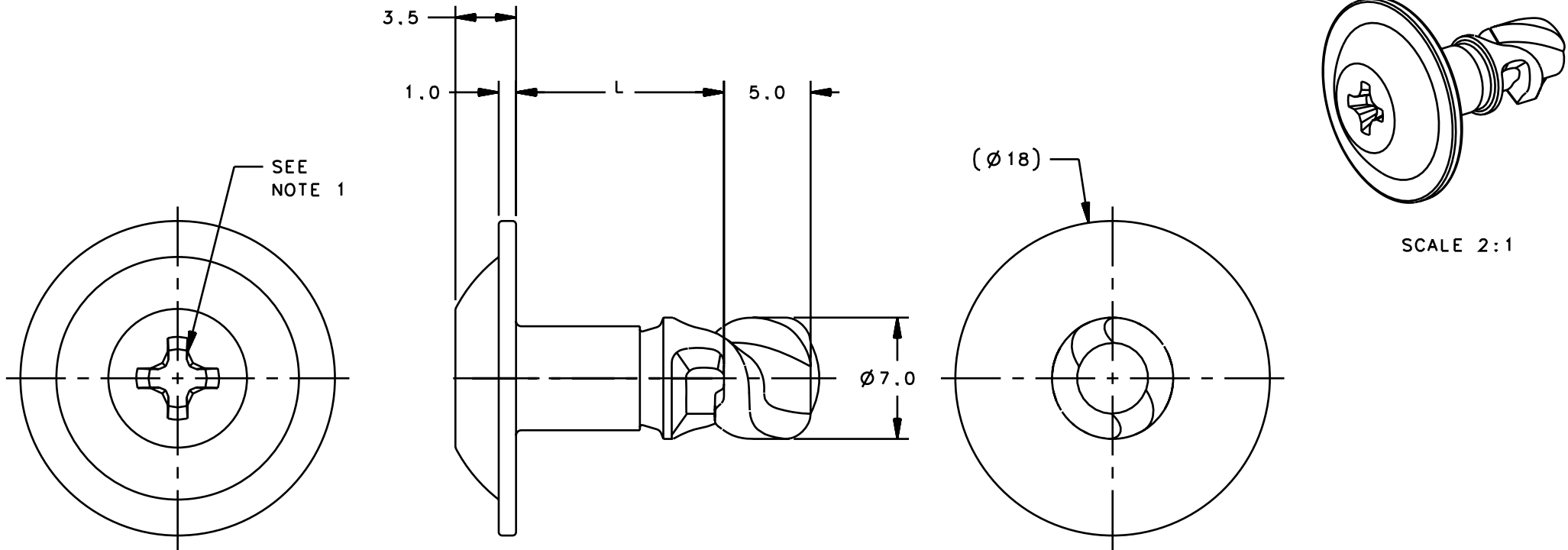
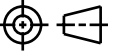



REVISION HISTORY			
REV	DATE	BY	DESCRIPTION
B	26FEB2013	JAJ/YGC	PRN: P2013-0443



NOTES:  
 1. No 3 PHILLIPS RECESS NOT ORIENTED WITH CAM.

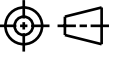

D2-517-13XX-1XX		#7 RAPIER STUD		CARBON STEEL		SEE SHEET 2	
SOUTHCO PART NUMBER		TYPE OF COMPONENT		MATERIAL		FINISH	
		THIRD ANGLE PROJECTION 		 CONNECT · CREATE · INNOVATE			
		MILLIMETERS [IN]					
		TOLERANCES UNLESS OTHERWISE NOTED		DESCRIPTION SIZE 7 RAPIER STUD			
		ALL DIMENSIONS WITHOUT TOLERANCES ARE FOR REFERENCE ONLY.		SIZE A4		SYSTEM NX	
		PER ASME Y14.5M-1994		DWC NO. J-D2-517-13XX-1XX		DATE 12OCT2006	
PROPRIETARY ITEM <small>EXCEPT FOR USES EXPRESSLY GRANTED IN WRITING, INFORMATION DISCLOSED HEREON IS CONFIDENTIAL AND ALL RIGHTS, PATENT AND OTHERWISE ARE RESERVED BY SOUTHCO, INC.</small>				DRAWN BY MJW		SCALE 3:1	
						SHEET 1 OF 2	

REVISION HISTORY			
REV	DATE	BY	DESCRIPTION
B	26FEB2013	JAJ/YGC	PRN: P2013-0443

SOUTHCO PART NO.	STUD DIMENSION
	'L'
D2-517-1309-1XX	9.0
D2-517-1310-1XX	10.0
D2-517-1311-1XX	11.0
D2-517-1312-1XX	12.0
D2-517-1313-1XX	13.0
D2-517-1314-1XX	14.0
D2-517-1315-1XX	15.0
D2-517-1316-1XX	16.0
D2-517-1317-1XX	17.0
D2-517-1318-1XX	18.0
D2-517-1319-1XX	19.0
D2-517-1320-1XX	20.0
D2-517-1321-1XX	21.0
D2-517-1322-1XX	22.0
D2-517-1323-1XX	23.0
D2-517-1324-1XX	24.0
D2-517-1325-1XX	25.0
D2-517-1326-1XX	26.0
D2-517-1327-1XX	27.0
D2-517-1328-1XX	28.0
D2-517-1329-1XX	29.0
D2-517-1330-1XX	30.0
D2-517-1331-1XX	31.0
D2-517-1332-1XX	32.0
D2-517-1333-1XX	33.0
D2-517-1334-1XX	34.0
D2-517-1335-1XX	35.0
D2-517-1336-1XX	36.0
D2-517-1337-1XX	37.0
D2-517-1338-1XX	38.0
D2-517-1339-1XX	39.0
D2-517-1340-1XX	40.0
D2-517-1341-1XX	41.0
D2-517-1342-1XX	42.0

'XX' SUFFIX NUMBER	FINISH
30	SILVER ORGANIC - CHROME FREE
31	BLACK ORGANIC -CHROME FREE
51	BLACK ZYLAN
90	ZINC PLATE NO TRIVALENT PASSIVATE

Part no. for Jaguar D2-517-1316-131

D2-517-13XX-1XX	#7 RAPIER STUD	CARBON STEEL	SEE TABLE
SOUTHCO PART NUMBER	TYPE OF COMPONENT	MATERIAL	FINISH
THIRD ANGLE PROJECTION 		 CONNECT • CREATE • INNOVATE	
MILLIMETERS [IN]			
TOLERANCES UNLESS OTHERWISE NOTED		DESCRIPTION	
ALL DIMENSIONS WITHOUT TOLERANCES ARE FOR REFERENCE ONLY.		SIZE 7 RAPIER STUD	
PROPRIETARY ITEM <small>EXCEPT FOR USES EXPRESSLY GRANTED IN WRITING, INFORMATION DISCLOSED HEREON IS CONFIDENTIAL AND ALL RIGHTS, PATENT AND OTHERWISE ARE RESERVED BY SOUTHCO, INC.</small>		SIZE A4	SYSTEM NX
PER ASME Y14.5M-1994		DWG NO. J-D2-517-13XX-1XX	
		DATE 12OCT2006	SCALE 3:1
		SHEET 2 OF 2	