

**Creaking Noise from Windshield and Fascia
Area – Plenum Contacting Body Braces –
Repair Procedure**MODEL 1997 MY
XK8 Range
VIN
001001-010766**Issue:**

Some 1997 MY XK8 vehicles within the above VIN range may exhibit a creaking noise that appears to come from the fascia or windshield area. The noise may be caused by contact between the plenum cover and the body braces.

Action:

In case of a customer complaint of a creaking noise as described above on a 1997 MY XK8 vehicle within the above VIN range, remove the plenum cover. Check the body braces for evidence of contact, such as worn paint. If contact is found, install two closed cell foam pads (HNA-1210BA) on the locations shown in Illustration 1. Reinstall the plenum cover.

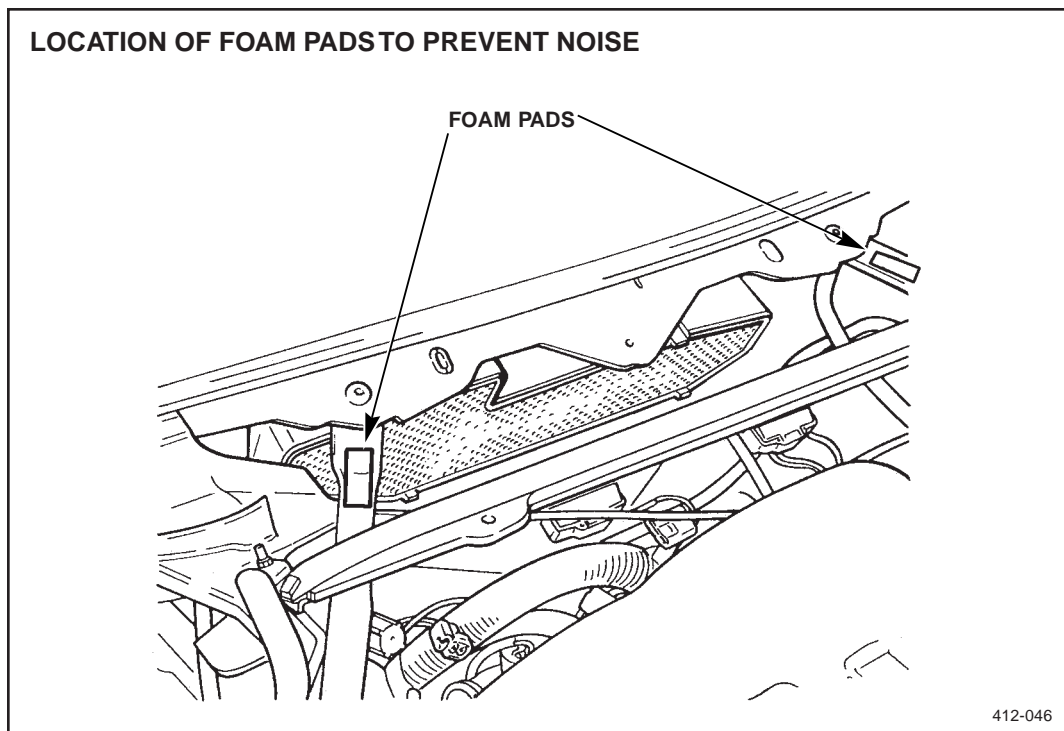


ILLUSTRATION 1

Parts Information:

<u>DESCRIPTION</u>	<u>PART NUMBER</u>	<u>QTY</u>
Closed cell foam pad	HNA-1210BA	2

Warranty Information:

<u>FAULT</u> <u>CODE</u>	<u>R.O.</u> <u>NUMBER</u>	<u>DESCRIPTION</u>	<u>TIME</u> <u>ALLOWANCE</u>
VD FD MS	76.10.01.90	Plenum chamber finisher - remove for access and reinstall	0.40 hrs.