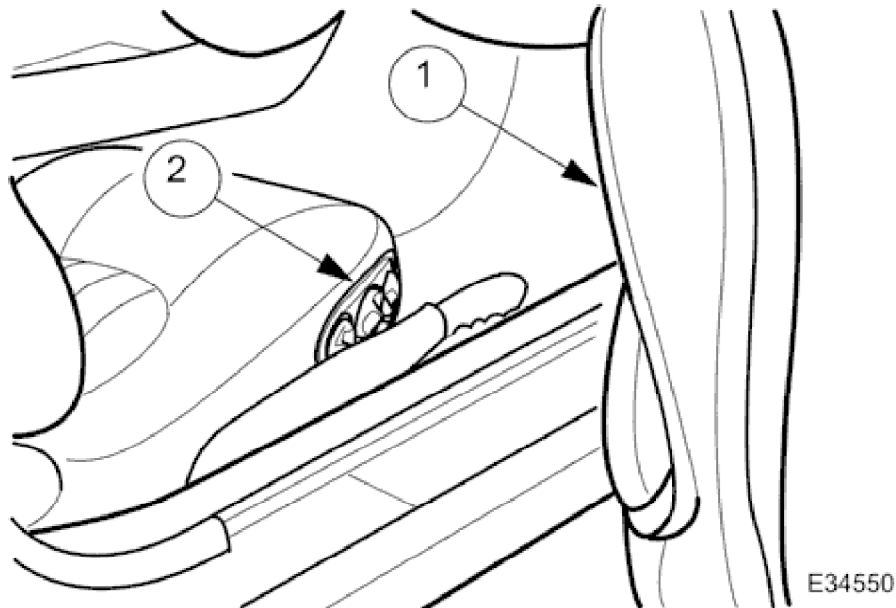
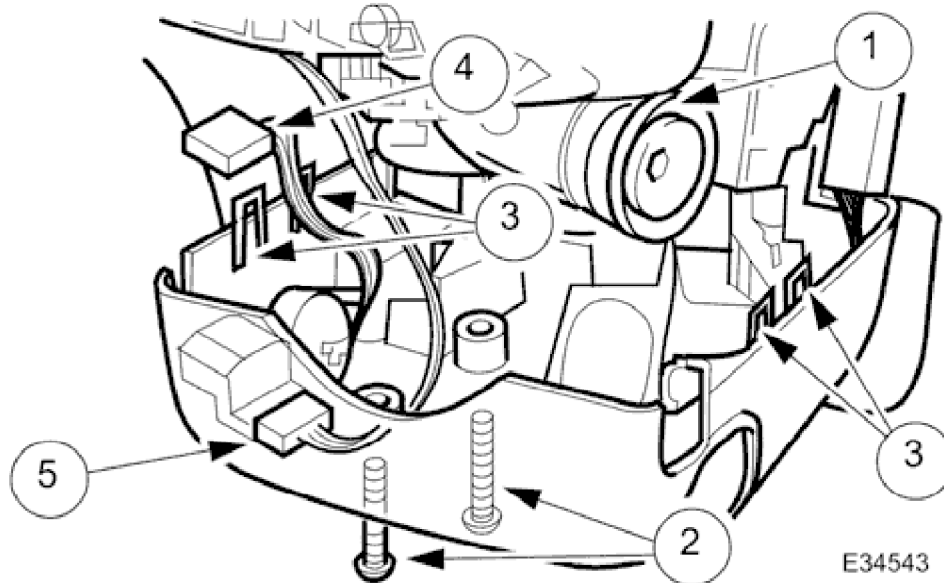


Steering Column Lower Shroud 76.46.03

Removal

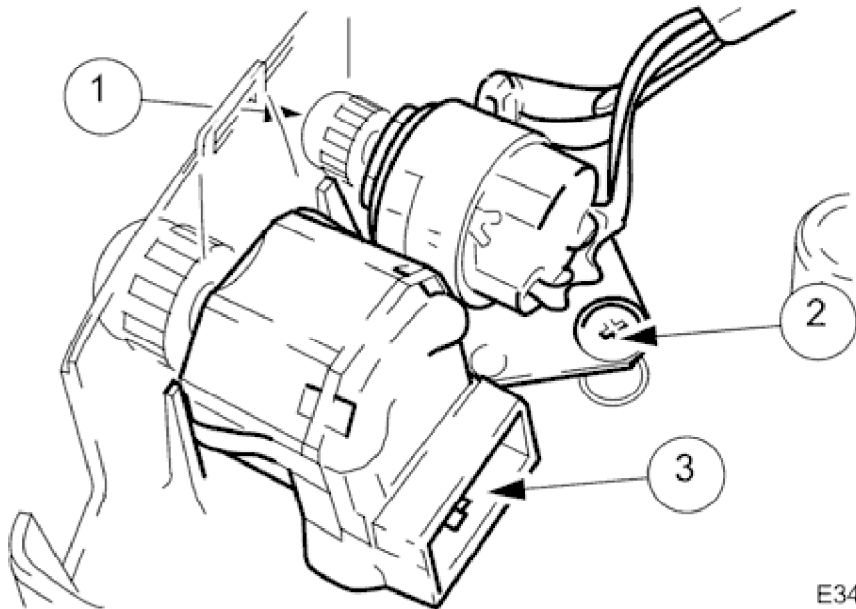


1. Move the driver's seat rearwards.
 1. Open driver's door and ensure that it remains open.
 2. On driver's seat switch pack, move front switch rearwards to traverse driver's seat to the rear.



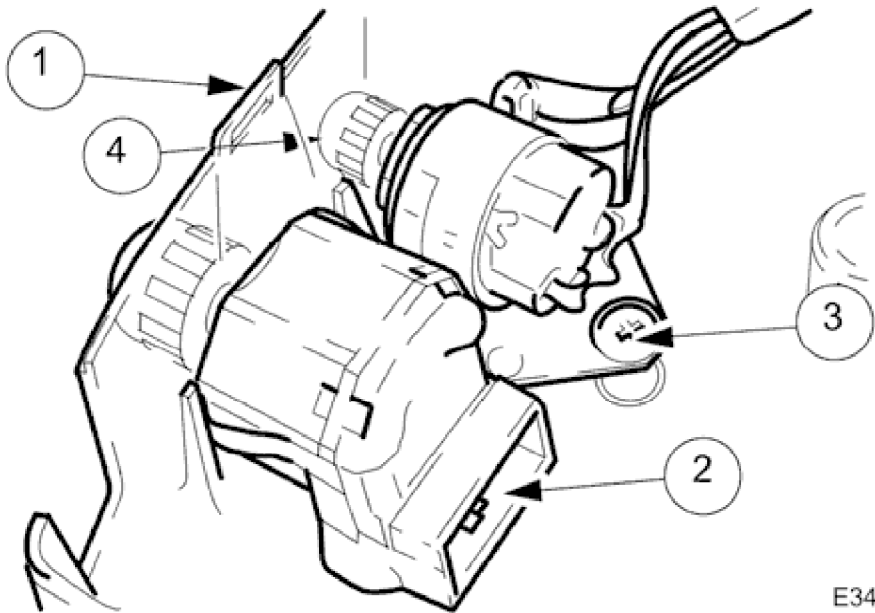
2. Remove the lower cowl from the steering column.
 1. Remove key from ignition switch.
 2. Slacken and remove cowl securing screws.
 3. Separate lower cowl from upper cowl (four tangs) and move lower cowl forward to access multiplugs.
 4. Disconnect the rheostat multiplug.
 5. Disconnect the column adjustment harness multiplug.
- Move lower cowl clear of steering column.

1998 XK RANGE - Instrument Panel and Console - 501-12



E34539

- 3. Remove the rheostat from the cowl.
 - 1. Remove adjusting knob from rheostat.
 - 2. Slacken and remove rheostat securing screw.
 - 3. Move retaining tangs away from the column adjustment switch and release the switch from the lower cowl.
- Remove lower cowl from the steering column.



E34540