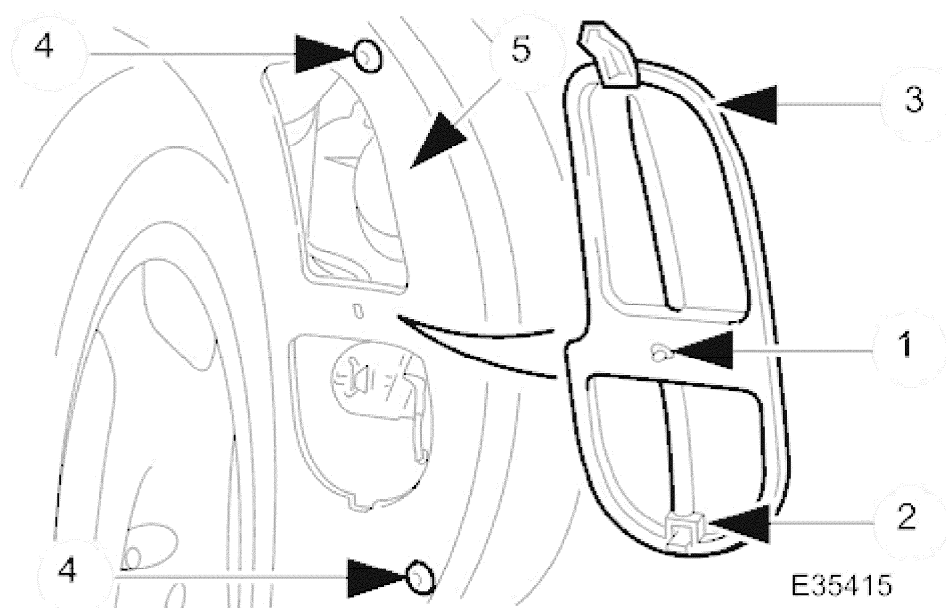


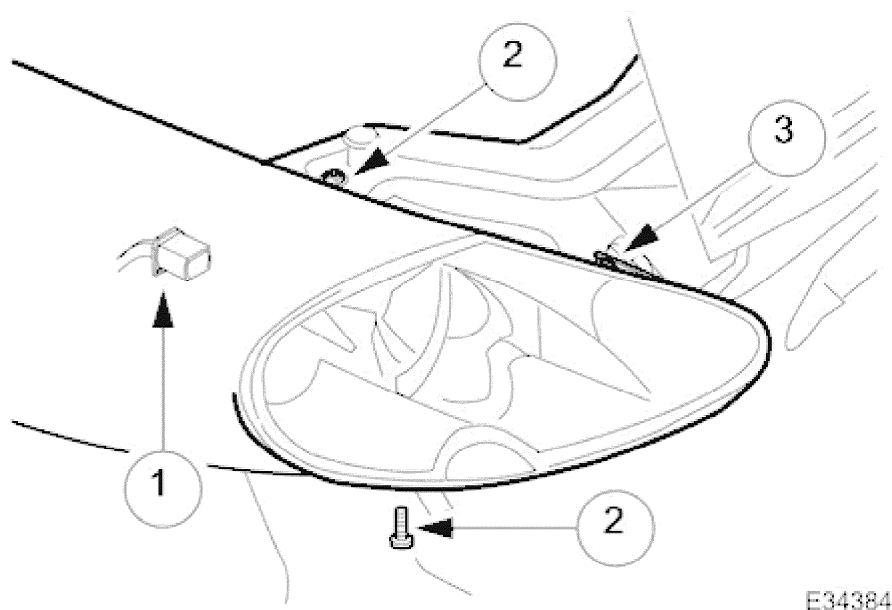
Headlamp Assembly RH 86.41.36

Removal

1. Turn the steering to full lock, as follows:
 - Right- hand headlamp - Left-hand lock.
 - Left- hand headlamp - Right-hand lock.



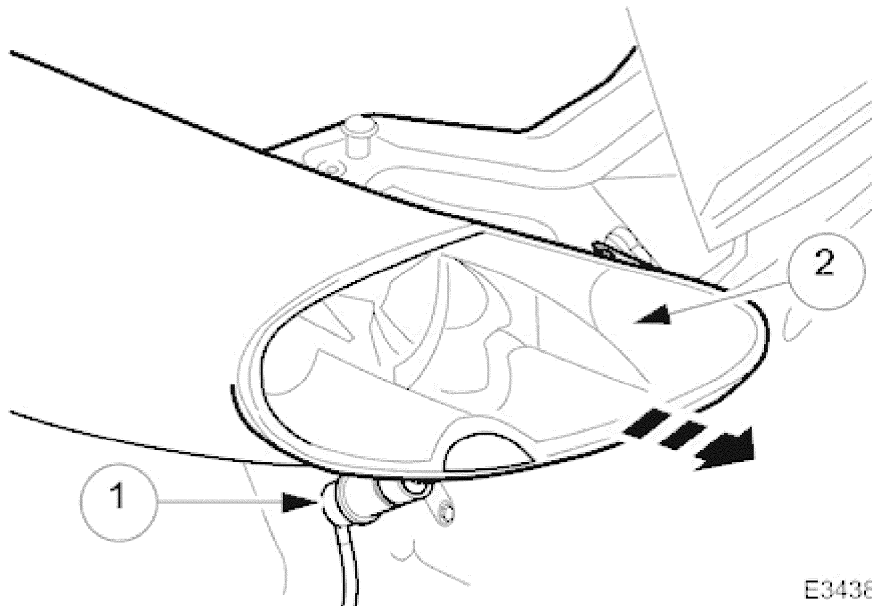
2. Displace the wheel arch liner for access.
 1. Release the center fastener which secures the wheel arch liner access panel.
 2. Lift the lower retaining catch and disconnect the lower edge of the access panel from the wheel arch liner.
 3. Remove the access panel.
 4. Remove the fixings which secure the front of the wheel arch liner to the body.
 5. Reposition the wheel arch liner for access.



3. Remove the headlamp fixings.

1999 XK RANGE - Exterior Lighting - 417-01

1. Disconnect the multi-plug from the headlamp.
 2. Remove the upper securing bolt and lower securing bolt.
 3. Slacken the headlamp securing nut.
- Carefully reposition the headlamp for access to the washer jet.



4. Remove the headlamp.
 1. Disconnect the washer jet assembly from the headlamp and reposition clear of the lamp.
 2. Remove the headlamp assembly.

Installation

1. Installation is the reverse of removal.
 - Return steering to straight ahead position.
 - Realign both headlamps.