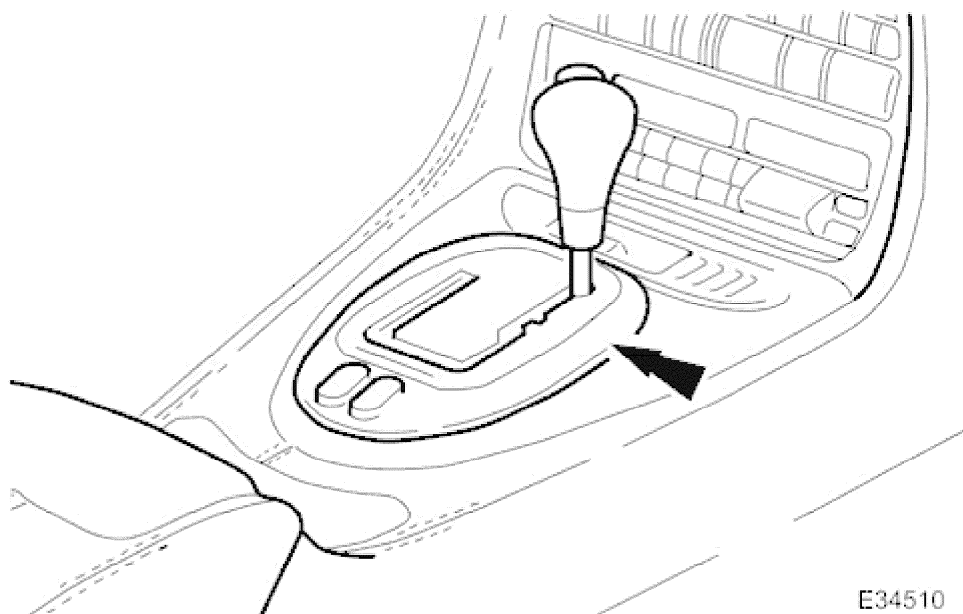


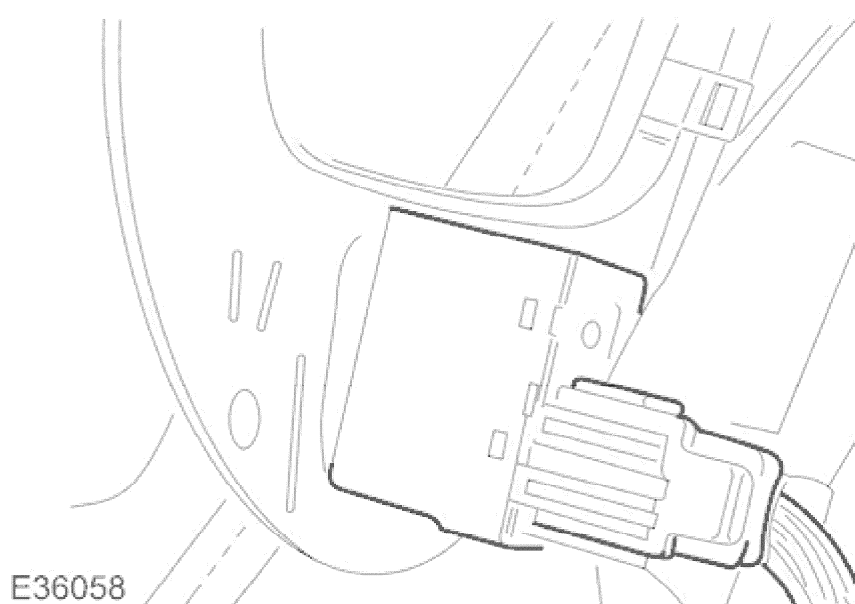
Floor Console Finish Panel 76.47.26

Removal

1. Apply handbrake and turn ignition key to II.
2. Depress brake pedal, move gear selector to position N and turn ignition key to O.
3. Remove battery cover and disconnect ground cable from battery terminal.

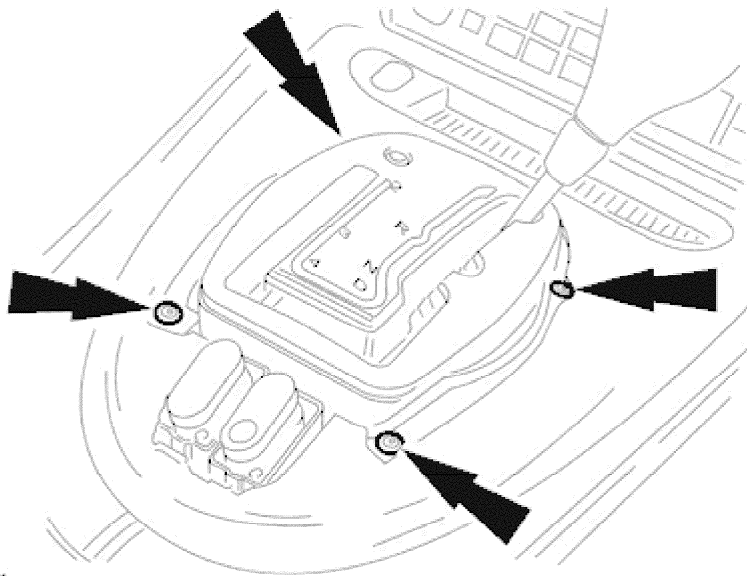


4. Remove gear selector surround finisher. Refer to 76.25.24



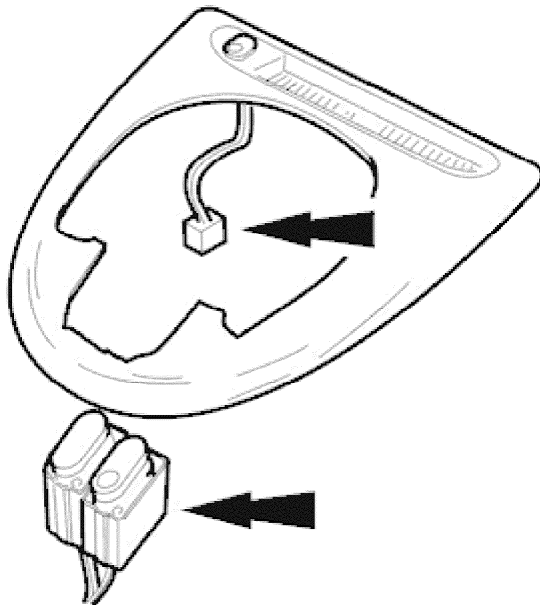
5. Remove Sport mode and Cruise Control switches from surround finisher.

2004 XK RANGE - Instrument Panel and Console - 501-12



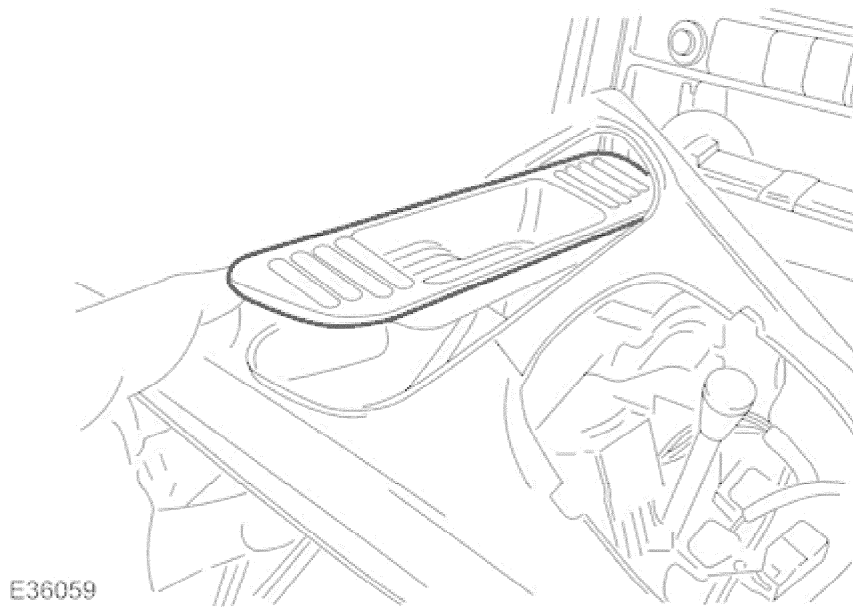
E36061

6. Slacken and remove the four screws securing the two console veneer panel clamp plates and remove the clamp plates.



E34511

7. Withdraw veneer panel, passing switches through the aperture. On the convertible model, disconnect the roof operating switch harness multiplug.



8. Remove oddments tray and remove veneer panel from console.

Installation

1. Position veneer panel on console.
2. Fit and fully seat oddments tray.
3. On convertible model, connect roof switch harness multiplug.
4. Route Sport mode and Cruise Control switches through panel aperture.
5. Fully seat veneer panel on console.
6. Position veneer panel clamp plates and fit and tighten securing screws.
7. Position gear selector surround finisher.
8. Fit and fully seat Sport mode and Cruise Control switches in finisher.
9. Finally fit gear selector surround finisher.
10. Move gear selector to position P.
11. Connect ground cable to battery terminal and fit battery cover. Refer to <<86.15.15>>.