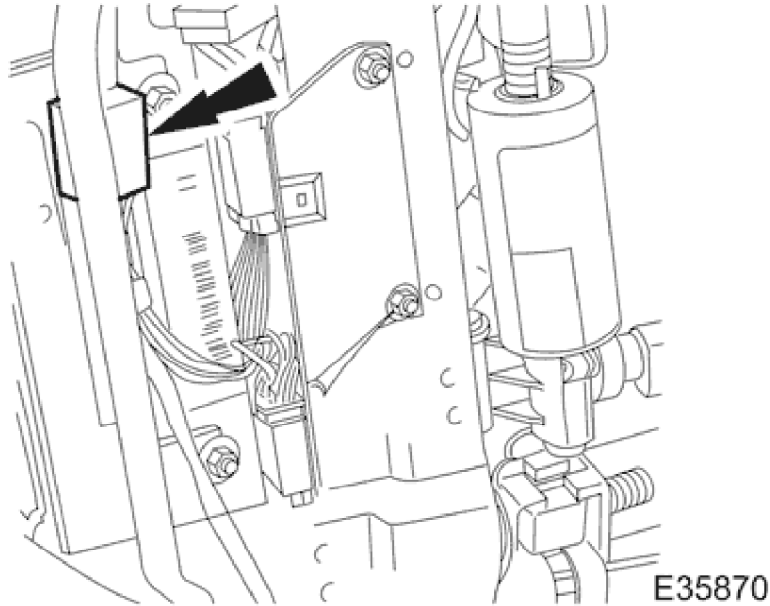


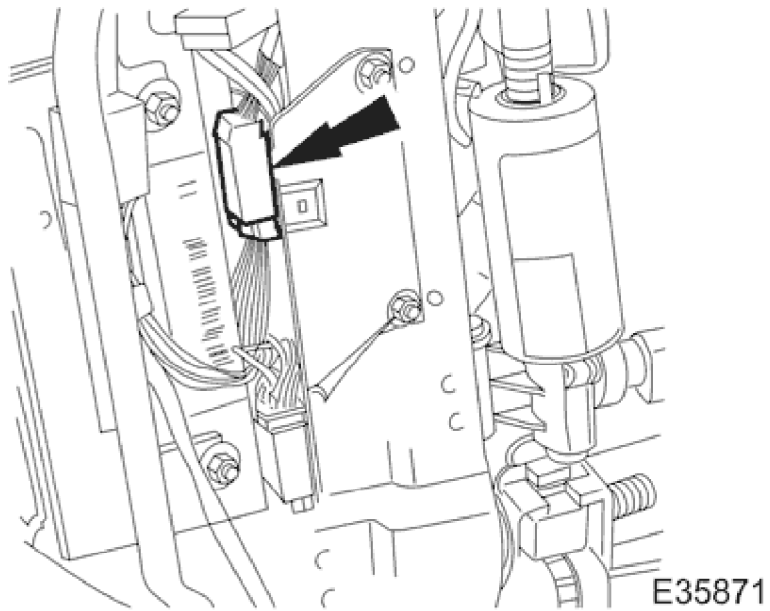
Front Seat Track Motor 86.75.33

Removal

1. Remove battery cover and disconnect ground cable from battery terminal. Refer to <<86.15.19>>.
2. Remove front seat for access. Refer to 76.70.01.90.

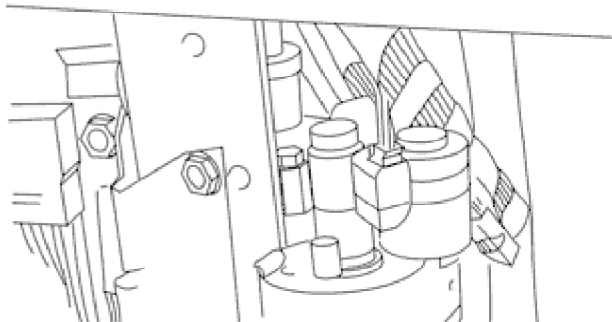
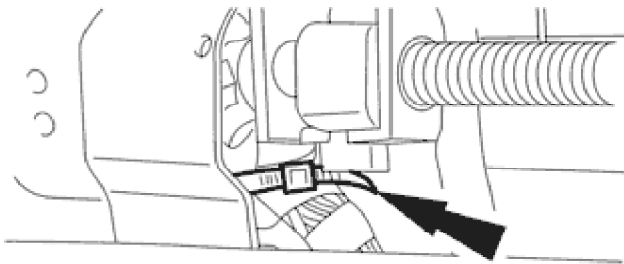


3. Release seat motor harness multiplug from mounting bracket and disconnect multiplug.



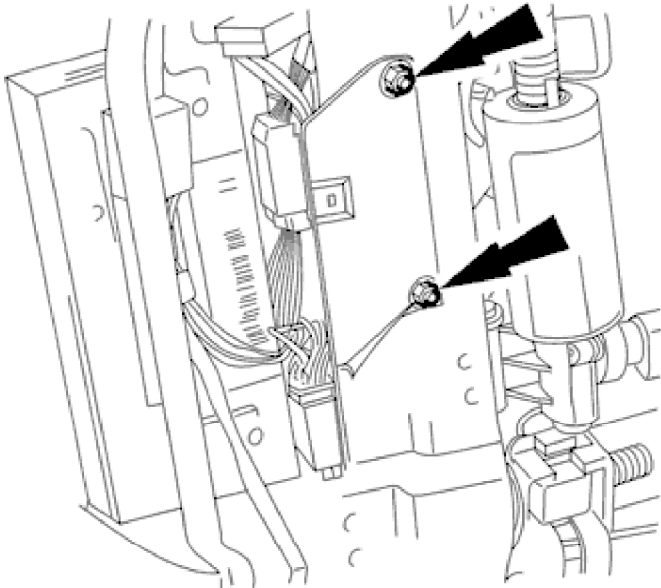
4. Release seat cushion riser motor harness multiplug. from mounting bracket and disconnect multiplug.

1997 XK RANGE - Seating - 501-10



E35872

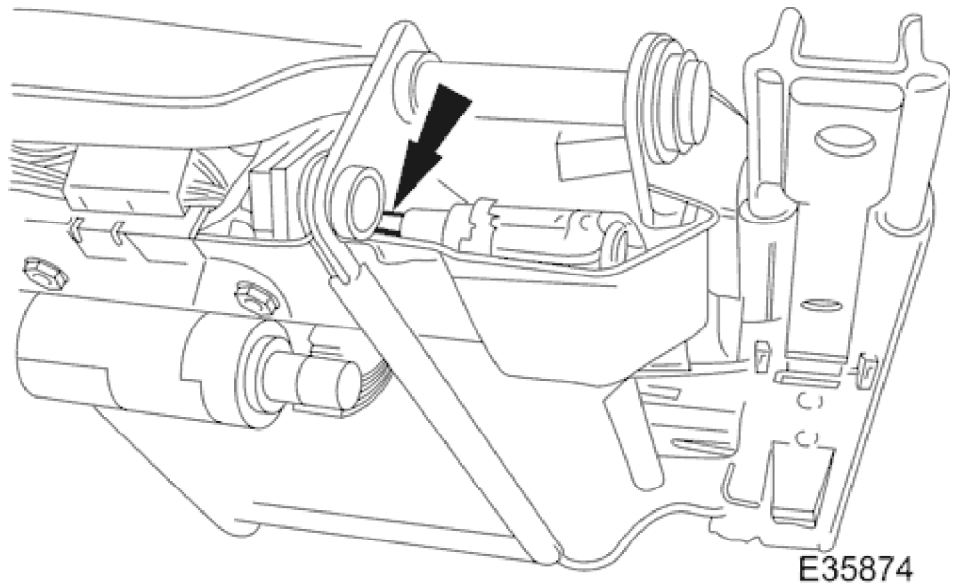
5. Remove and discard tiestraps securing seat harness and position harness for access.



E35873

6. Slacken and remove bolts securing seat motor to frame.

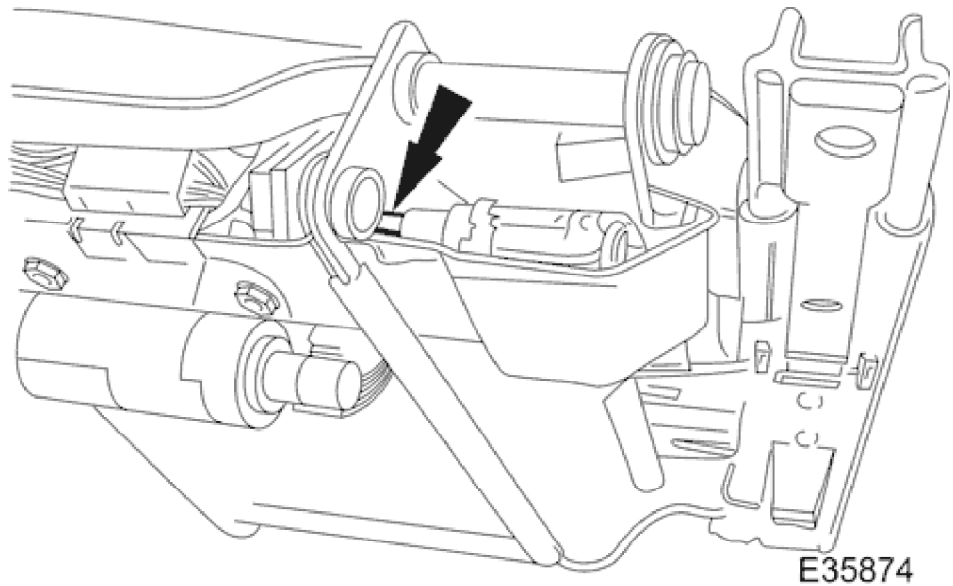
1997 XK RANGE - Seating - 501-10



- 7. Position motor from frame for access and withdraw drive cable from one side.
- 8. Release motor from remaining drive cable and remove motor from seat.

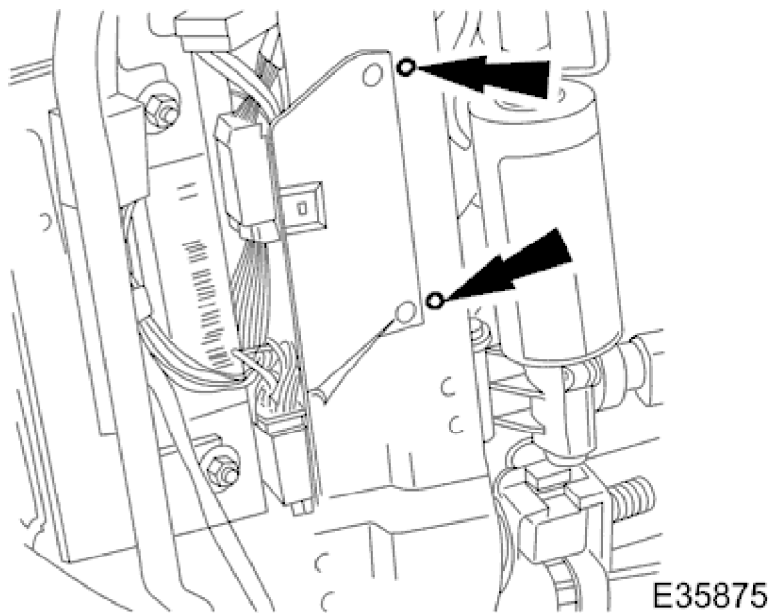
Installation

- 1. Noting drive cable positions, align motor drives to permit engagement.

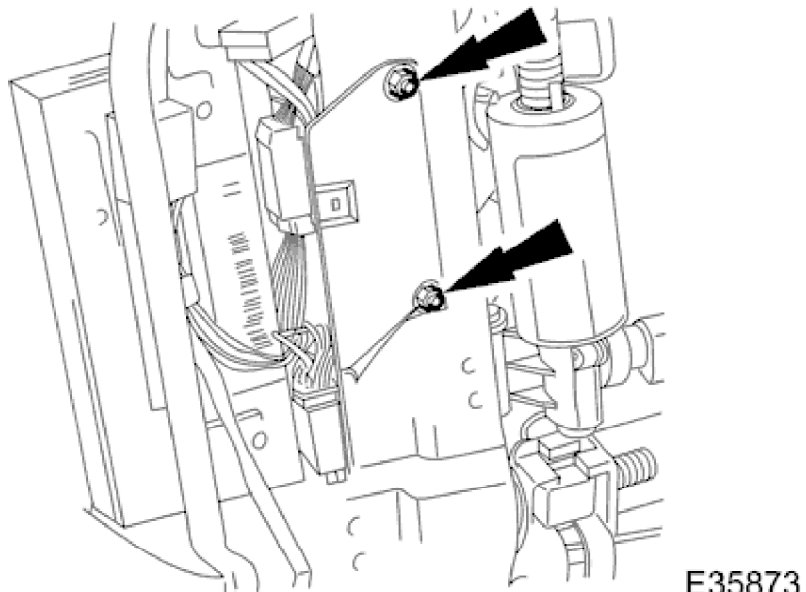


- 2. Position motor to seat and engage drive cables.

1997 XK RANGE - Seating - 501-10

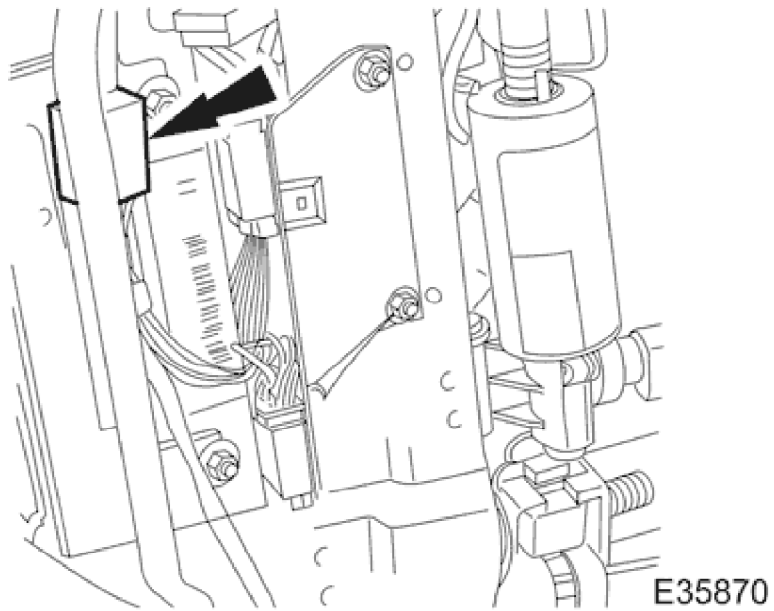


3. Finally position motor on seat frame ensuring locating tangs are fully seated.

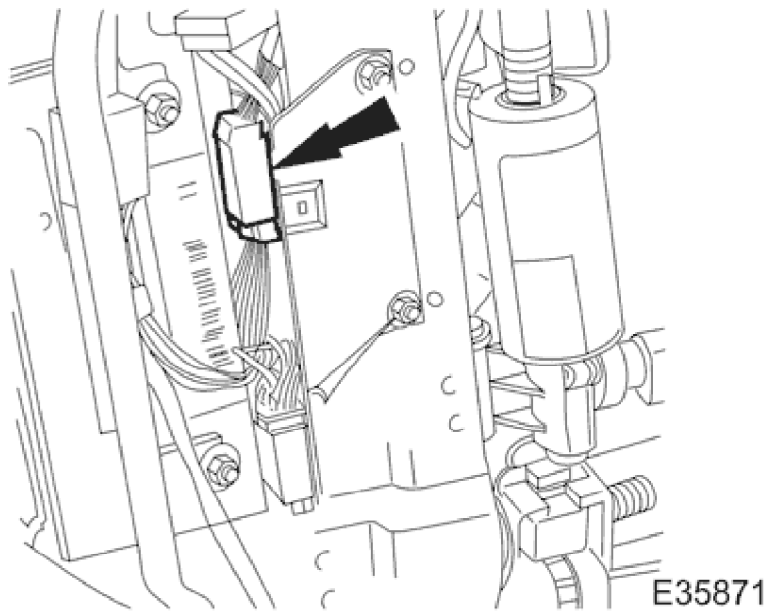


4. Fit and fully tighten seat motor to frame securing bolts.

1997 XK RANGE - Seating - 501-10

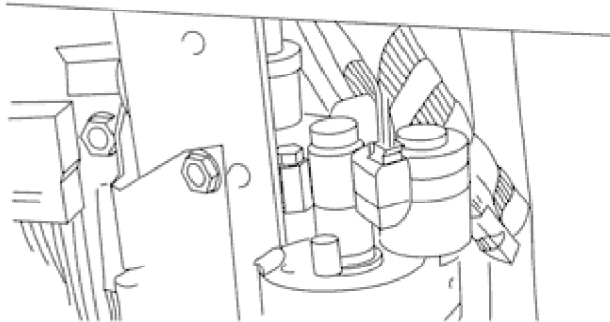
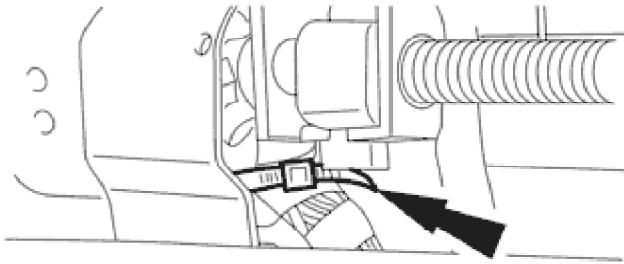


5. Position seat harness, connect seat motor harness multiplug and fully seat multiplug on mounting bracket.



6. Connect seat cushion riser motor multiplug and fully seat multiplug on mounting bracket.

1997 XK RANGE - Seating - 501-10



E35872

7. Position seat harness and secure to mounting bracket with clip.
8. Fit front seat to vehicle. Refer to 76.70.01.90.
9. Connect ground cable to battery terminal and fit battery cover. Refer to <<86.15.15>>.