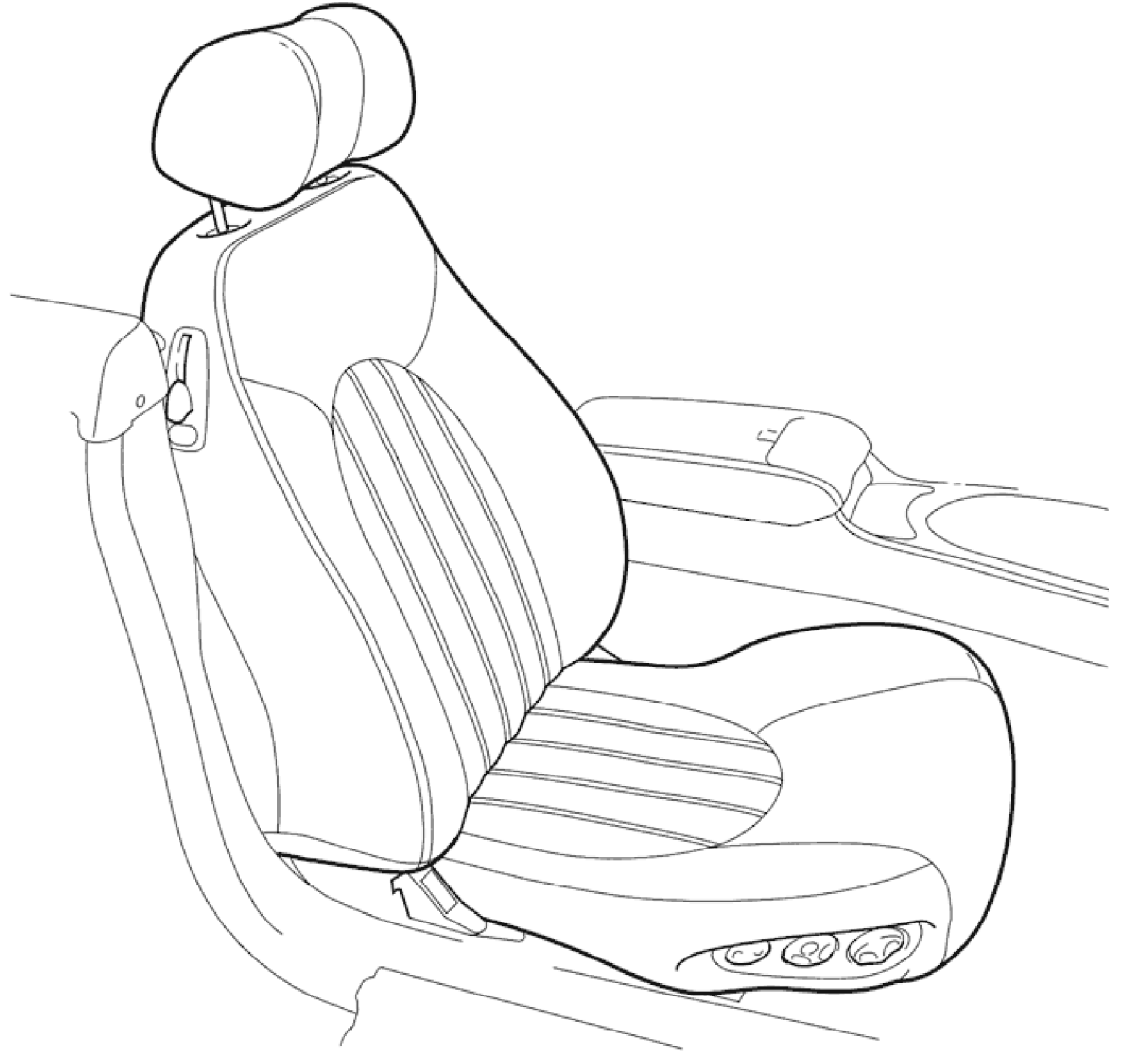


# 2001 XK RANGE - Seating - 501-10

## Seats

### Front Seats



E33654

The front seat frames are common to both the coupe and convertible and are equipped with the following:

- Powered seat switchpack
- Powered seat cushion front height adjustment
- Powered seat cushion rear height adjustment
- Powered seat backrest adjustment
- Powered seat headrest adjustment
- Powered seat lumbar support adjustment
- Powered seat fore and aft adjustment
- Side air bag module

# 2001 XK RANGE - Seating - 501-10

- Seat squab heating

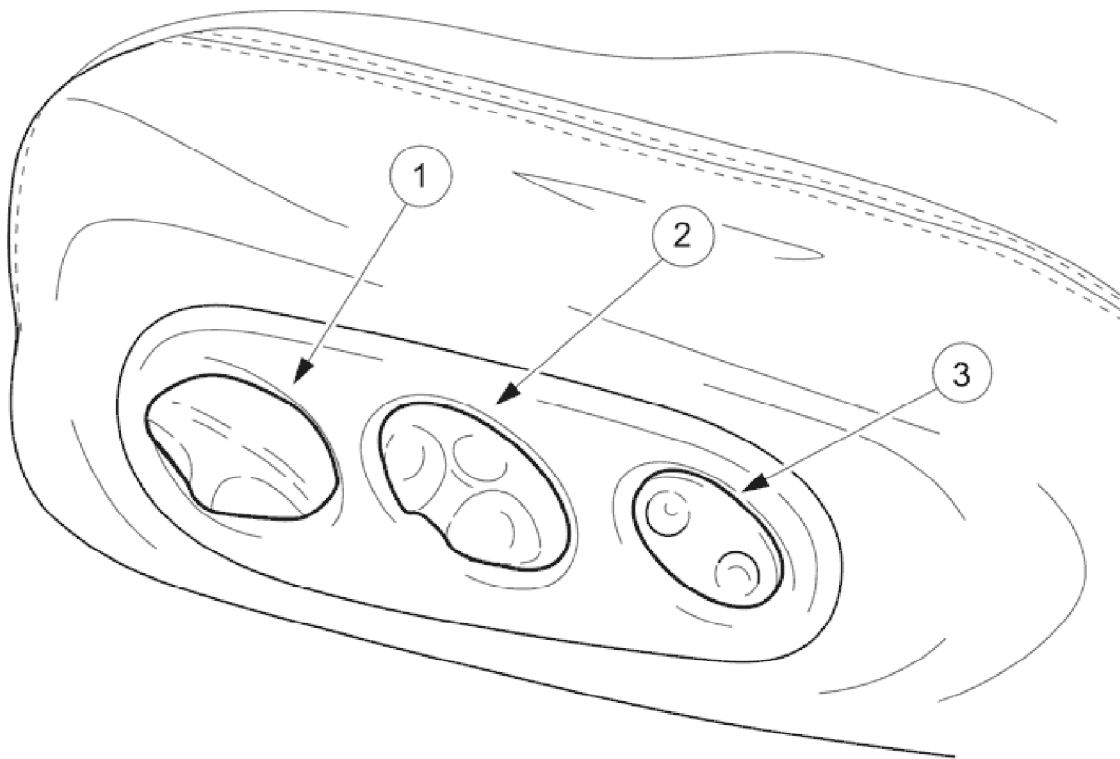


**WARNING:**

**PRIOR TO REMOVAL OF THE FRONT SEATS AND BEFORE DISCONNECTING THE FRONT SEAT WIRING HARNESS ELECTRICAL CONNECTORS (WHICH INCLUDES THE SIDE AIR BAG MODULE ELECTRICAL CONNECTORS), THE BATTERY GROUND CABLE SHOULD BE DISCONNECTED AND A PERIOD OF AT LEAST ONE MINUTE ALLOWED TO ELAPSE. THE SAME AMOUNT OF CARE SHOULD BE TAKEN WHEN HANDLING AND STORING THE FRONT SEATS, AS WOULD BE TAKEN WHEN HANDLING AND STORING AIR BAG MODULES.**

The driver and passenger front seats, although almost identical, have some unique components. The driver seat has a seat track position sensor and the passenger front seat has a weight sensing system. In both instances the components form an integral part of the Air Bag Supplemental Restraint System (SRS). For additional information, refer to <<501-20A>><<501-20B>> .

### Powered Seat Switchpacks



E33655

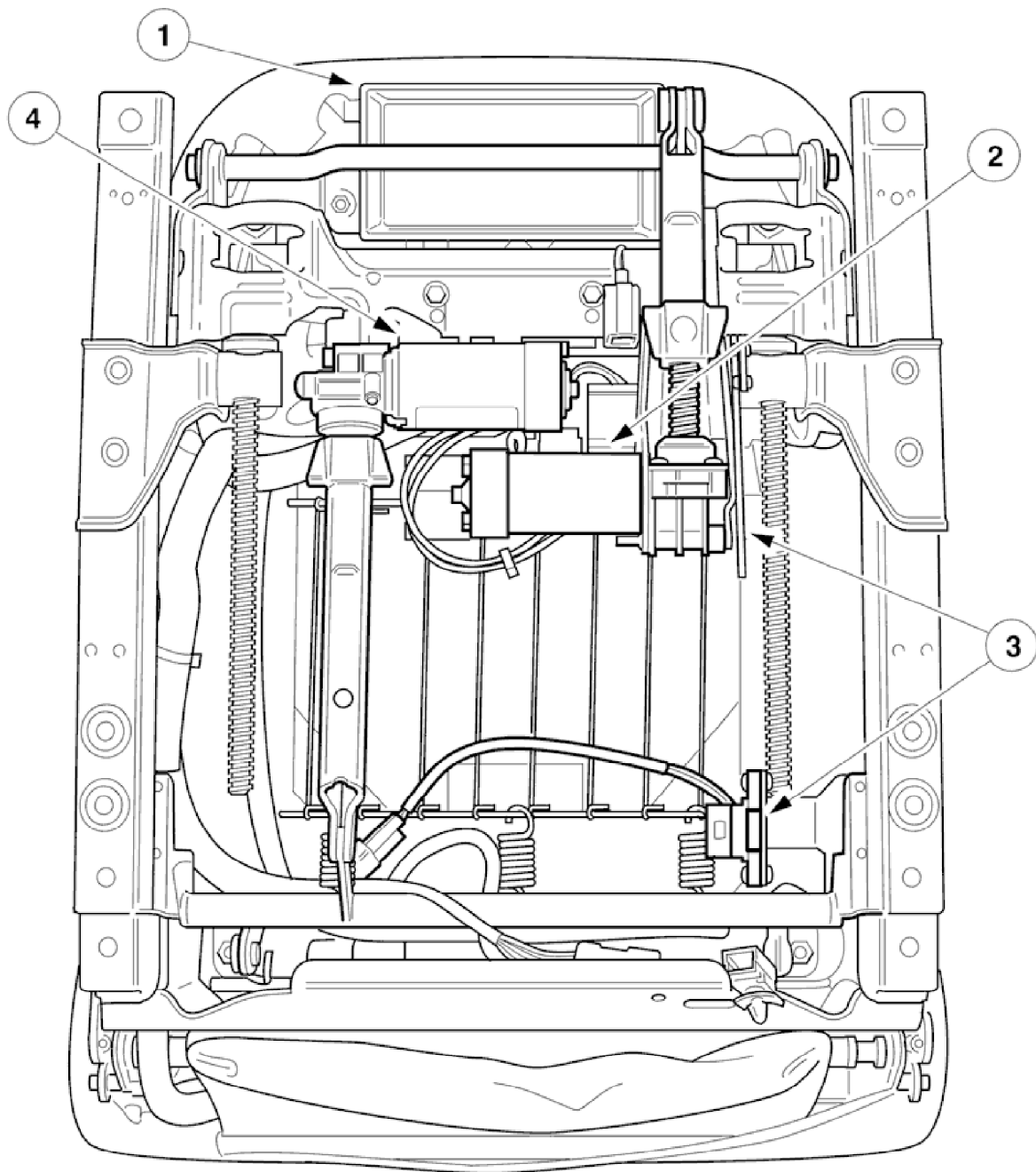
**Item      Description**

1	Controls the seat fore and aft adjustment, seat cushion front height adjustment and seat cushion rear height adjustment
2	Controls the seat backrest adjustment and seat headrest adjustment
3	Controls the seat lumbar support adjustment

The powered seat switchpacks are installed in the outboard side of both the driver and passenger front seats.

### Driver Seat Underside

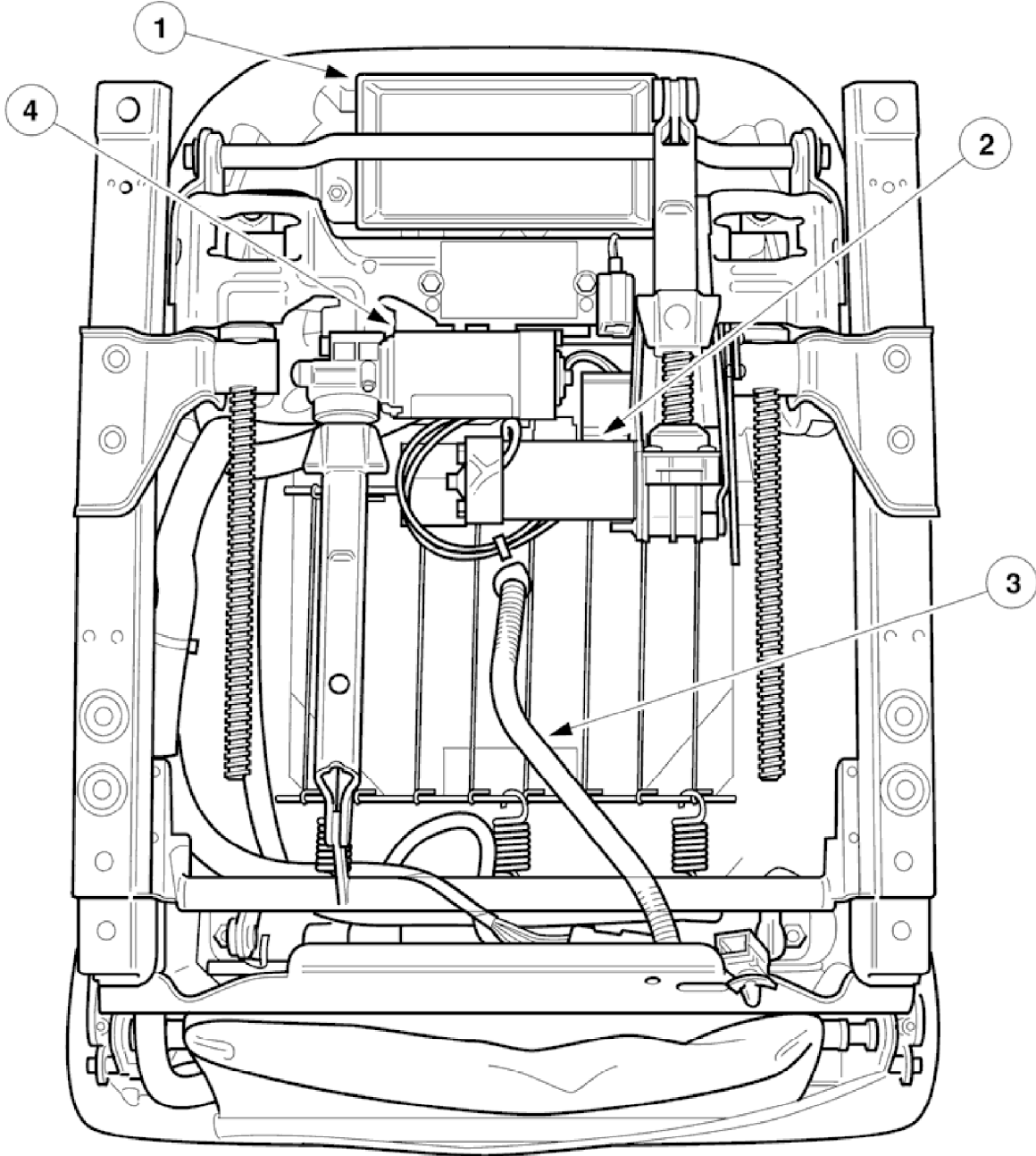
2001 XK RANGE - Seating - 501-10



E33656

Item	Description
1	Seat control module
2	Seat cushion front height motor and mechanism
3	Seat track position sensor
4	Seat cushion rear height motor and mechanism

Passenger Seat Underside



E33657  
Item Description

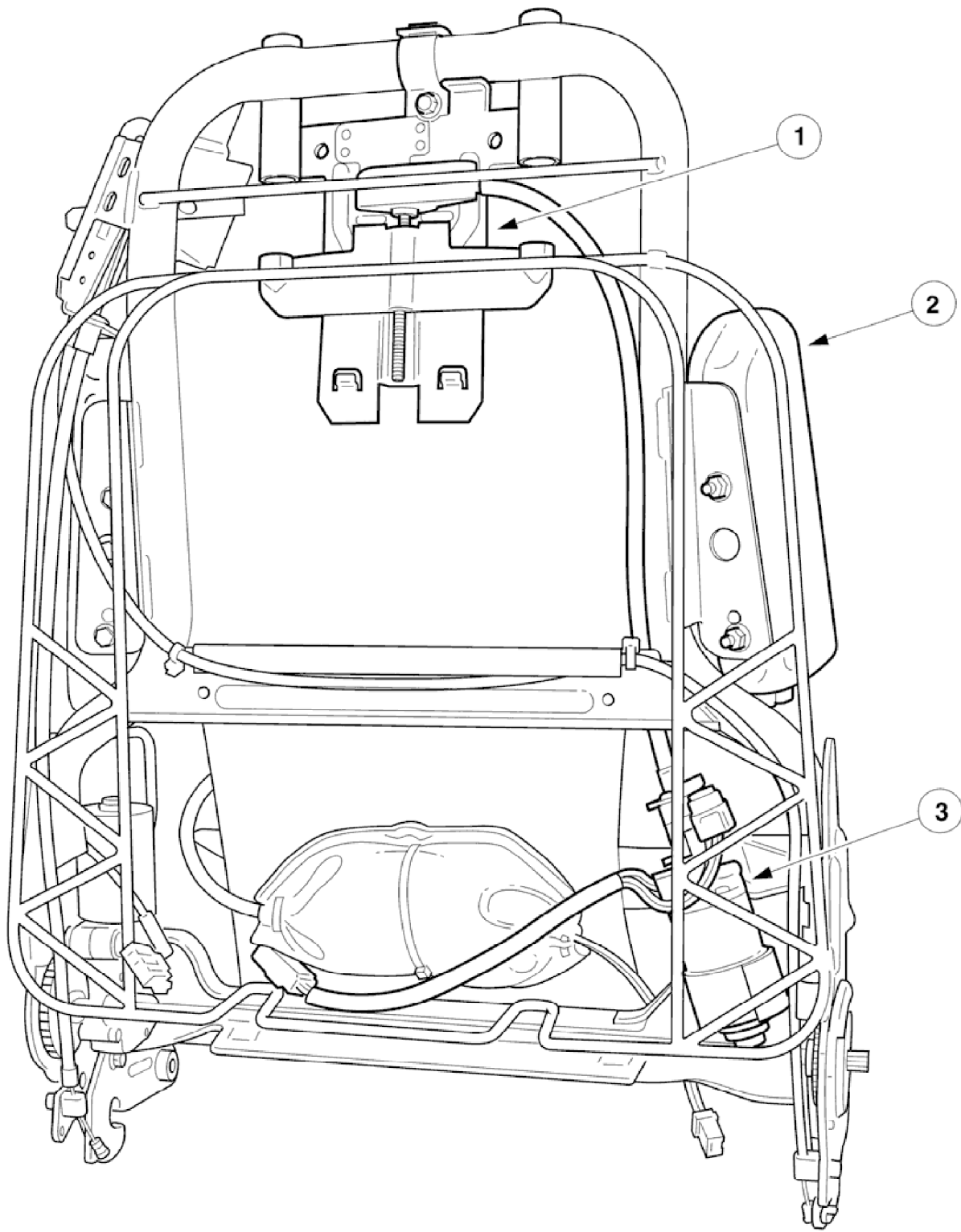
# 2001 XK RANGE - Seating - 501-10

1	Seat control module
2	Seat cushion front height motor and mechanism
3	Weight sensing system hose
4	Seat cushion rear height motor and mechanism

## Powered Seat Headrests

**NOTE:**  
Left-hand seat backrest shown, right-hand seat backrest similar.

2001 XK RANGE - Seating - 501-10



E33658

Item	Description
1	Seat headrest mechanism
2	Seat headrest control module
3	Seat headrest motor

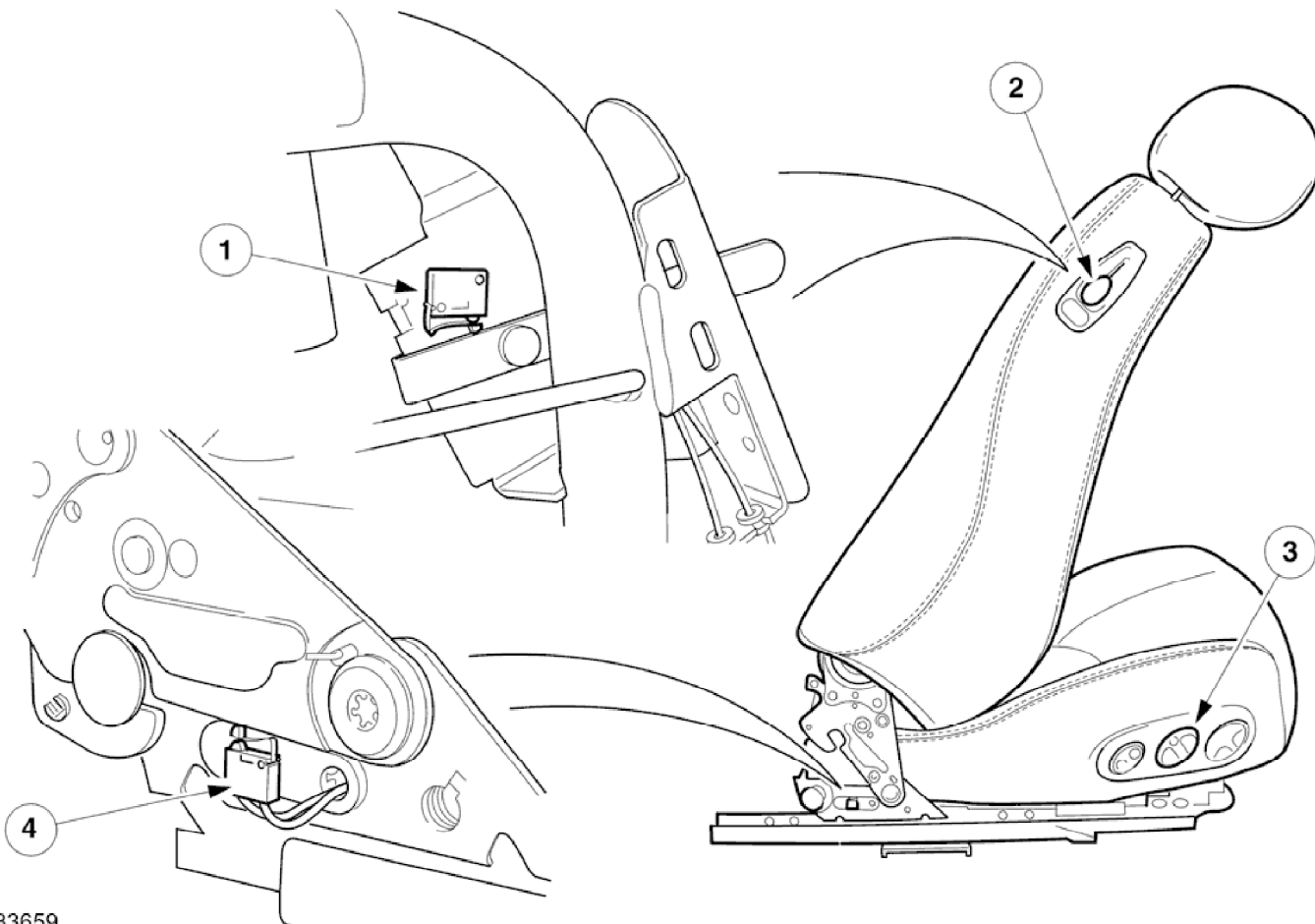
# 2001 XK RANGE - Seating - 501-10

The seat headrest position is controlled by three components. The seat headrest control module, the seat headrest motor and the seat headrest switch.

## Seat Backrest Tilt Feature

**NOTE:**

The seat headrest will lower in the event that the seat backrest tilt microswitch fails. In this condition, the seat headrest will not work until the seat is tilted forward, responding to the seat latch microswitch changing state.



E33659

Item	Description
1	Seat backrest tilt microswitch
2	Seat backrest tilt knob
3	Seat headrest switch
4	Seat latch microswitch

The seat headrest control module controls the seat headrest motor by responding to the status of three switches. The seat backrest tilt microswitch, the seat latch microswitch and the seat headrest switch.

The seat headrest automatically lowers when the seat backrest is tilted forward. This feature is controlled by two microswitches. The seat backrest tilt knob actuates the seat backrest tilt microswitch causing the seat headrest to fully retract. When the seat backrest is returned to the normal driving position, the seat latch microswitch causes the seat headrest to return to its previous position. The vehicle occupant can position the seat headrest to suit their

# 2001 XK RANGE - Seating - 501-10

## Torque Specifications

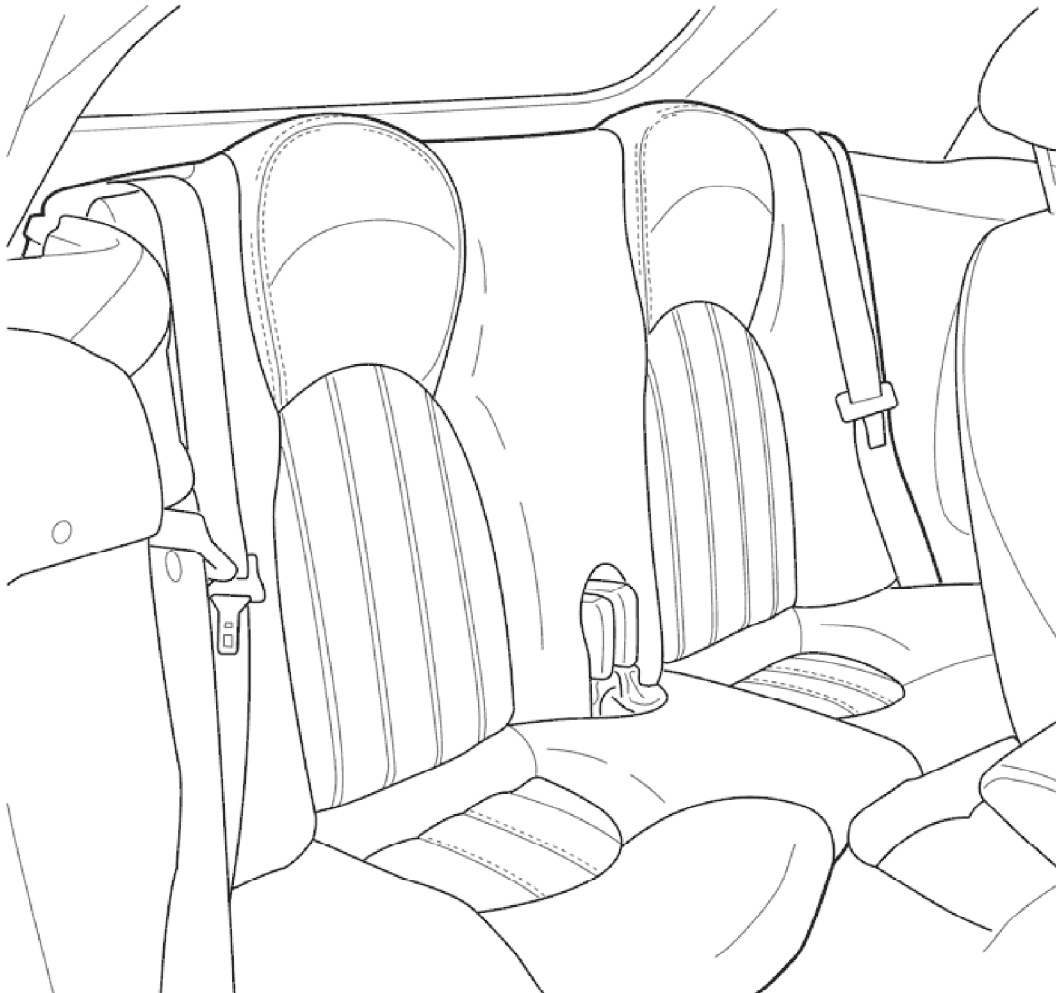
Description	Nm	Lb-Ft	Lb-In
Front seat cushion retaining nuts	25	18	-
Front seat recliner motor retaining bolt	8	-	71
Front seat retaining bolts	25	18	-
Front seat control module retaining nuts	7	-	62
Front seat control module bracket retaining nuts	4	-	35
Front seat head restraint control module retaining nuts	7	-	62



# 2001 XK RANGE - Seating - 501-10

stature by pressing the seat headrest switch which is the center switch of the powered seat switchpack.

## Rear Seats



E33660

The rear seat frames are not common between the coupe and convertible. They are wire framed units trimmed to match the front seats. There is no provision for rear seat adjustment on either model.

Child seat lower International Standards Organization fix (ISOfix) anchors are available as an option fitment. For additional information, refer to<<501-20A>><<501-20B>> .