

"Play" with specs below, try different settings, compare results, see difference... [Find what fits](#)

Shop Rims

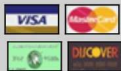
- [by car](#)
- [by brand](#)
- [by specs](#)

Shop Tires

- [by brand](#)
- [by size](#)

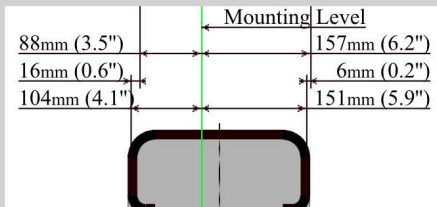
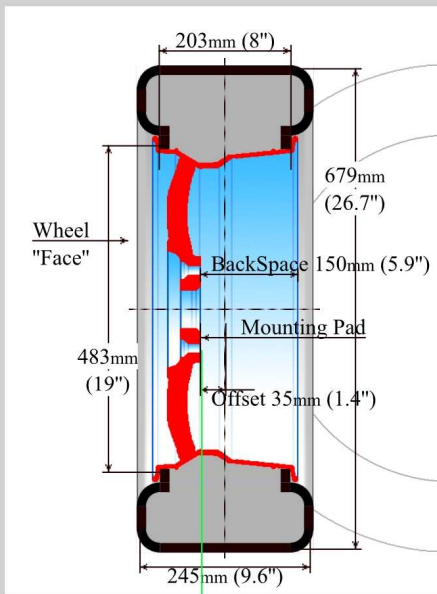
Tools

- [Fitment Guide](#)
- [Fitment Check](#)
- [Finishes Guide](#)
- [Plus Sizing](#)
- [Size Comparer](#)

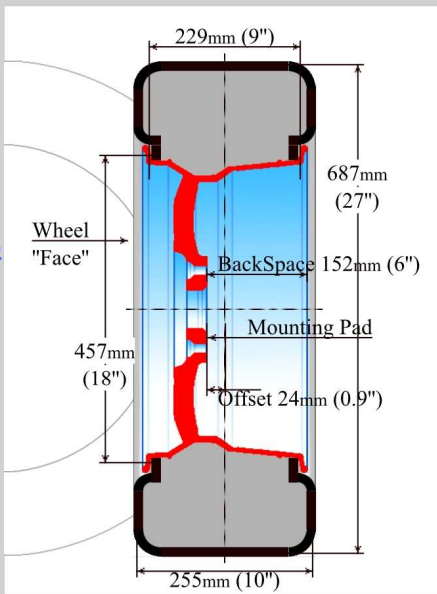


since 2002

TIRE SIZE	RIM SIZE / Offset(ET)
245 / 40 - 19 X 8.0 ET 35	



TIRE SIZE	RIM SIZE / Offset(ET)
255 / 45 - 18 X 9.0 ET 24	



Assuming that Chart 1 represents OEM wheel:

Suspension clearance:	100% clear (leaves even more room than OEM)
Fenders clearance:	Package 2 will stick out 16 mm (0.6") farther. Make sure that you have enough room under the fender. If not, consider narrower tires or

Shipping is from CALIFORNIA. See [shipping rates](#) in the Shopping Cart

▶ Wheel/tire packages come mounted and balanced, with all necessary hardware included, [ready to bolt on](#).

▶ TPMS sensors are available as an option in the Shopping Cart. .

Problems? Questions? Need advice? [Just ask](#) 408-744-0386

"Play" with specs below, try different settings, compare results, see difference... [Find what fits](#)

Shop Rims

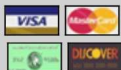
- [by car](#)
- [by brand](#)
- [by specs](#)

Shop Tires

- [by brand](#)
- [by size](#)

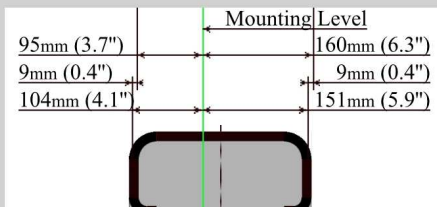
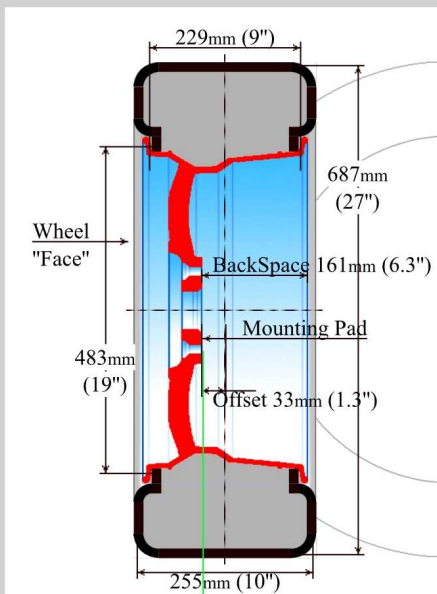
Tools

- [Fitment Guide](#)
- [Fitment Check](#)
- [Finishes Guide](#)
- [Plus Sizing](#)
- [Size Comparer](#)

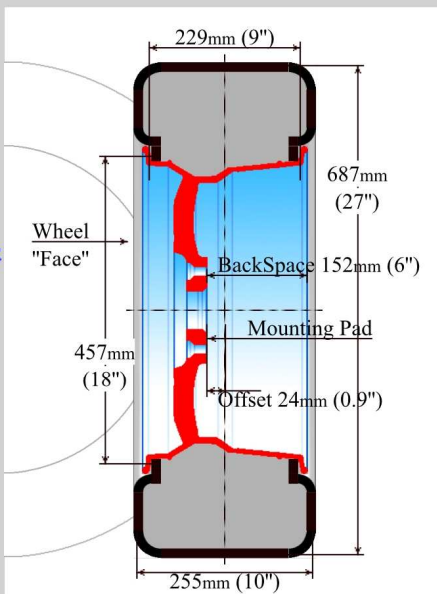


since 2002

TIRE SIZE	RIM SIZE / Offset(ET)
255 / 40 - 19 X 9.0 ET 33	



TIRE SIZE	RIM SIZE / Offset(ET)
255 / 45 - 18 X 9.0 ET 24	



Assuming that Chart 1 represents OEM wheel:

Suspension clearance:	100% clear (leaves even more room than OEM)
Fenders clearance:	Package 2 will stick out 9 mm (0.4") farther. Acceptable for most cars.
Wheelwells	The same

Shipping is from CALIFORNIA. See [shipping rates](#) in the Shopping Cart

▶ Wheel/tire packages come mounted and balanced, with all necessary hardware included, [ready to bolt on](#).

▶ TPMS sensors are available as an option in the Shopping Cart. .

Problems? Questions? Need advice? [Just ask](#) 408-744-0386