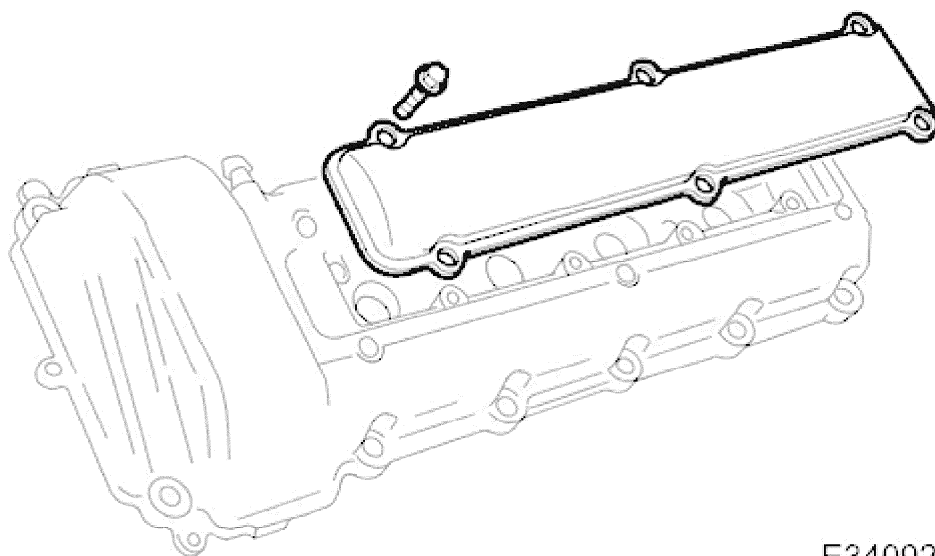


## Ignition Coil-On-Plug RH 18.20.43

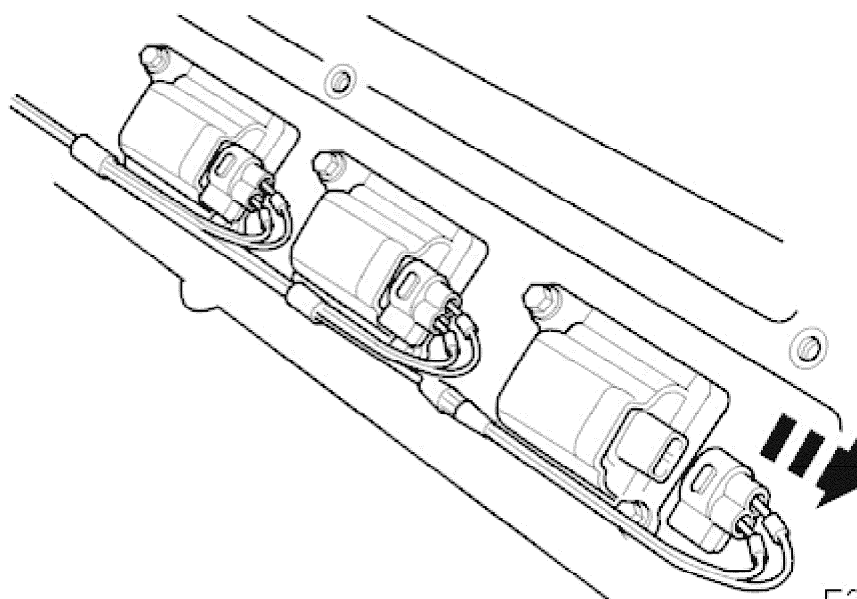
### Removal

1. Disconnect battery ground cable (IMPORTANT, see SRO <<86.15.19>> for further information).
2. Remove the air intake tube / meter / air cleaner cover for access; refer to 19.10.30.



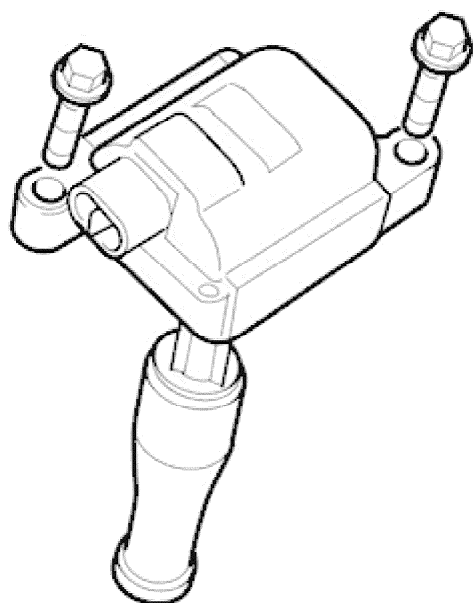
E34092

3. Remove coil on-plug cover.
  - Remove six bolts.
  - Remove cover.
  - Clean mating faces.



E34093

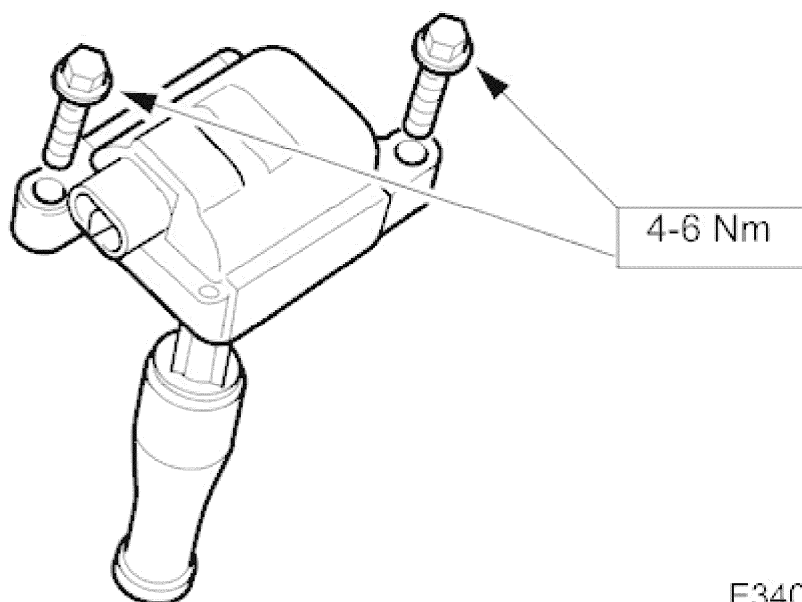
4. Detach harness from retaining clips as necessary and disconnect relevant coil connector.



E34091

5. Remove relevant ignition coil.
- Remove bolts.
  - Remove coil.

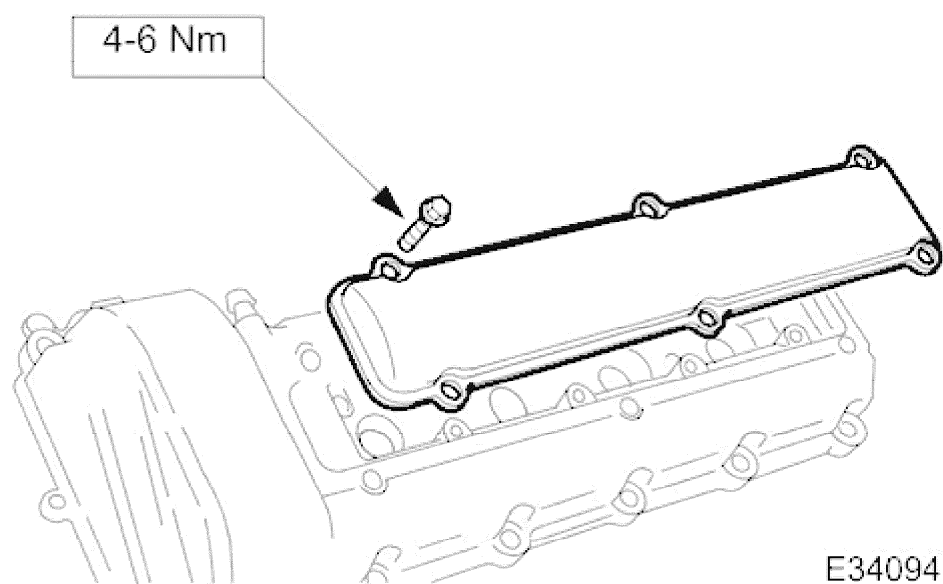
**Installation**



E34090

1. Installation is a reversal of the removal procedure.

# 2001 XK RANGE - Engine Ignition - 303-07



2.

E34094