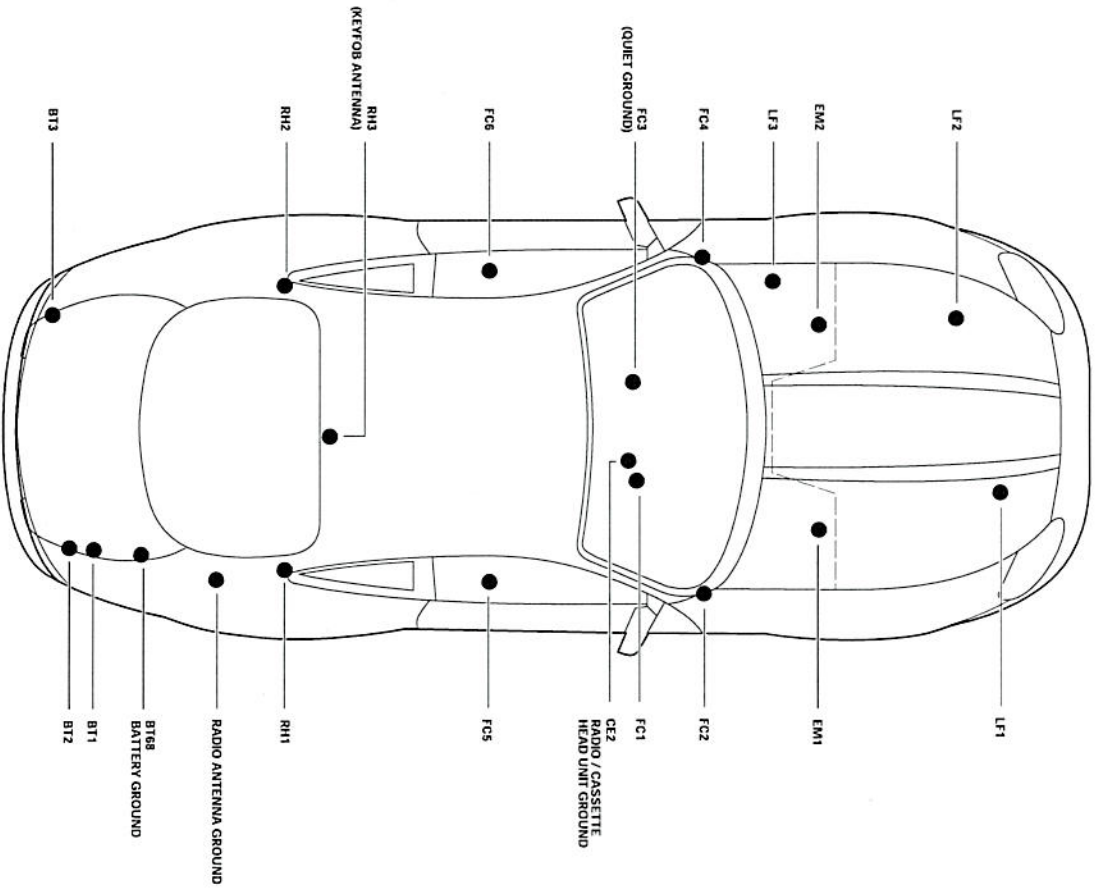
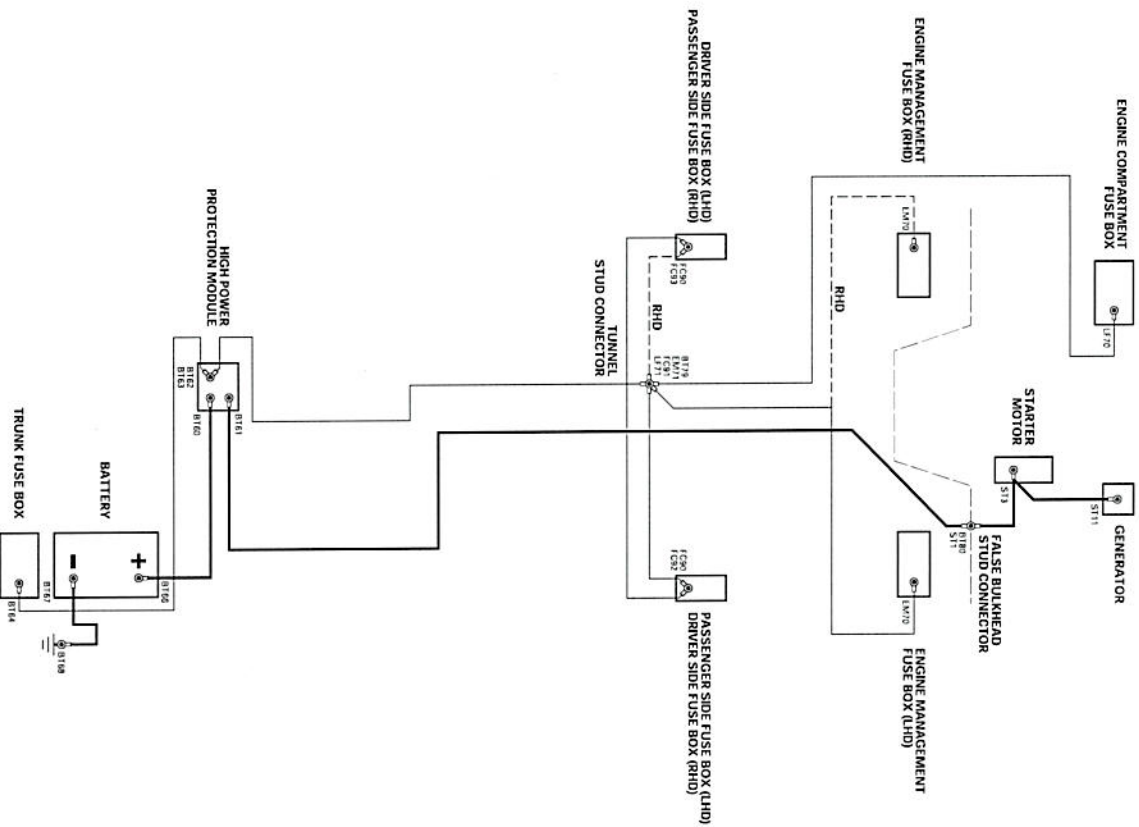




GROUND POINTS

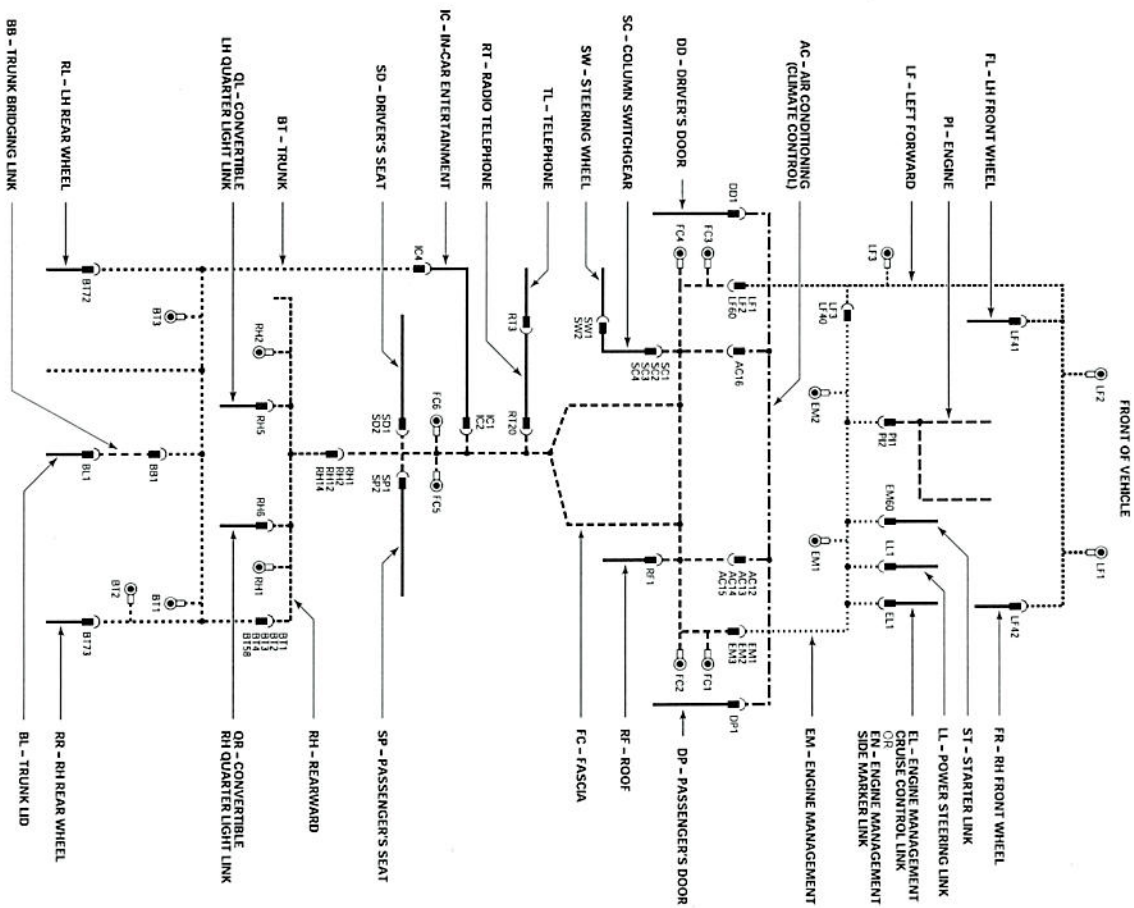


MAIN POWER DISTRIBUTION





LHD



RHD

