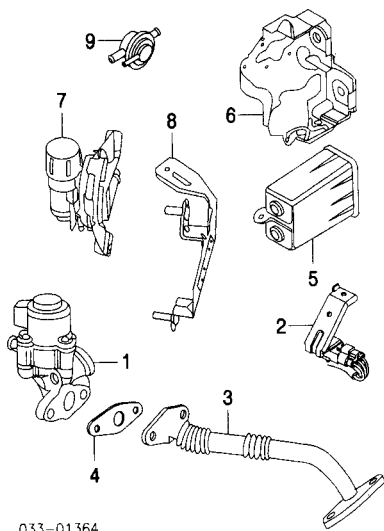


JAGUAR XK8/XKR 1997-05

EMISSION SYSTEM Cont'd

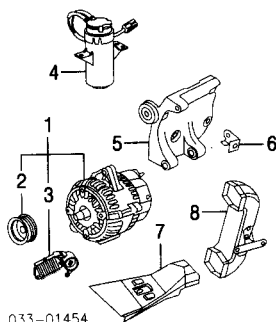


033-01364

4 Gasket, EGR Pipe (2) 1997-02 2003-05	NCA4771BE	m	2.95
Upper	AJ8008559	m	3.00
Lower	AJ8002340	m	11.50
5 Canister, Vapor	NNB6110AB	m	.6 211.15
6 Brkt, Canister Mounting	97-99 NJA6108DC 00-05 NJB6108AA	m	43.85 39.35
7 Valve, Purge Control†	97-99 LJA1515AA 00-05 LJB1515AA	m	.7 99.15 .7 86.00
†Order by Application			
8 Brkt, Purge Valve	97-99 NJA5978BB	m	6.85
9 Valve, Pressure Control†	LJB1525AA	m	55.40
†Order by Application			
Sensor, Oxygen-See Exhaust Section			

ELECTRICAL

ALTERNATOR



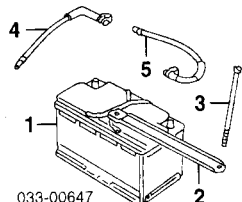
033-01454

1 Alternator Assy 1997-03 2004-05	LNC1800AA C2C019630	m	1.1 575.00 m 1.1 595.00
2 Pulley, Alternator (a)	JLM020235	m	28.95
3 Regulator, Alternator (a)	JLM020187	m	229.20
(a) Included w/Alternator Assy			
Belt, Drive-See Cooling Section			
4 Module, Suppression	LJA1820AA	m	.6 88.35
5 Bracket, Mount†	NCA8302AA	m	67.75
1997-99	NCA8302AA	m	67.75
2000-02	NCC8302AA	m	54.35
XK8	C2C022757	m	80.50
2003	LJB1825AB	m	14.85
2004-05			
†Order by Application			
6 Bracket, Connector	LJA3890NA	m	3.60
7 Duct, Front Cooling	HJA4477AD	m	22.35
8 Duct, Rear Cooling	LJB1810AA	m	28.00

BATTERY

Illustration Located in Next Column

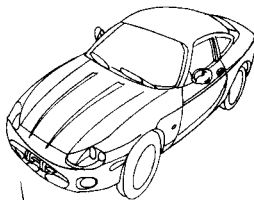
1 Battery	N.A.	m	.6 0.00
2 Bracket, Hold-Down	GNB3542AB	m	5.75



033-00647

3 Bolt, Hold-Down	R/L GNB3544AC	m	2.90
4 Cable, Positive	LNC3690AA	m	120.00
5 Cable, Negative	XR8040827	m	.5 26.25
To VIN A36873	XR8047017	m	.5 0.00
From VIN A36874			

HORN

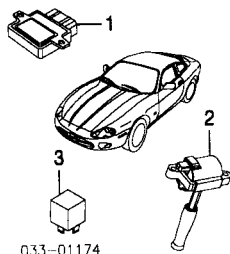


033-00712

1 Horn 1997-02 High Note Low Note	LJA4001AA LJA4000AA	m	.3 89.10 .3 89.10
2003-05 To VIN A42536 From VIN A42537	C2N003582 C2N003582	m	.3 66.25 .3 66.25

IGNITION

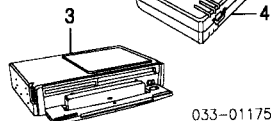
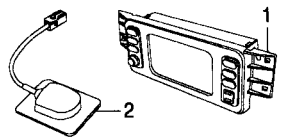
R&R Ignition Coils Complete.....m 1.2



033-01174

1 Module, Ignition (2)	97-02 LJA1450AF 03-05 N.A.	m	.5 351.00 m .5 0.00
2 Coil, Ignition† (8)	97-02 LCA1510AB 03-05 AJ8007644	m	.4 102.25 m .4 43.80
†Order by Application			
3 Relay, Starter†	LJA6703AA	m	.3 8.90
†As Required			

NAVIGATION SYSTEM

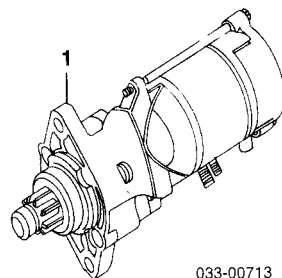


033-01175

1 Display, Navigation	00-05 LJD2440AD	m	.8 2050.00
-----------------------	-----------------	---	------------

2 Antenna	00-05 LJD2449AA	m	.5 140.10
3 Module, Navigation	00-05 LJD2442AB	m	.6 2750.00
4 Module, Interface	00-03 LJD2442FC 04-05 N.A.	m	.6 264.00 m .6 0.00

STARTER



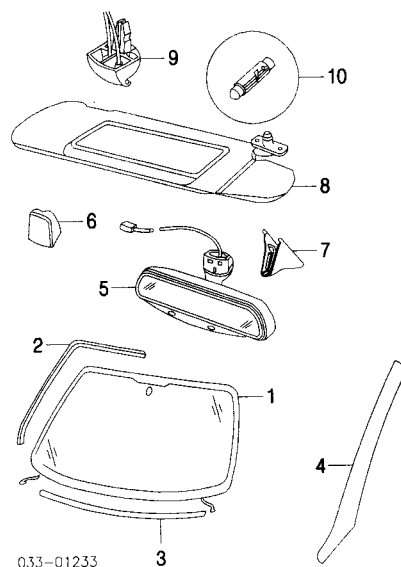
033-00713

1 Starter	AJ8003990	m	1.0 845.00
-----------	-----------	---	------------

WINDSHIELD

Use Procedure Explanation 13 with the following text.

R&I Windshield #4.3
#Includes Clean Up Old Adhesive as Necessary

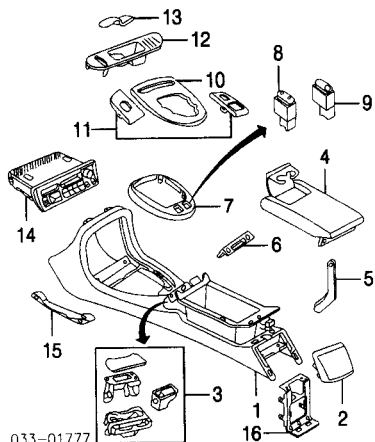


033-01233

1 Windshield Jaguar (Tint) 1997-02 w/Rain Sensor Heated Non-Heated w/o Rain Sensor Heated Non-Heated 2003 Heated Non-Heated 2004-05 Heated Non-Heated NAGS (Green) 1997-01 w/Rain Sensor Heated Non-Heated w/o Rain Sensor Heated Non-Heated 2002-05 w/Rain Sensor Heated Non-Heated To VIN A24195 From VIN A24196 w/o Rain Sensor Heated Non-Heated	GJD8801AC GJD8801BC GJA8801CE GJA8801AE GJG8801AB GJF8801BC C2N002959 C2N002960 FW02251GTN FW02250GTN FW02027GTN P FW02026GTN P FW02251GTN FW02050GTN FW02363GTN FW02027GTN P FW02026GTN P	m	.4 675.00 m .4 590.00 m .4 760.00 m .4 525.00 m .4 680.00 m .4 565.00 m .4 650.00 m .4 490.00 m .4 0.00 m .4 266.60 m .4 739.20 m .4 225.50 m .4 0.00 m .4 0.00 m .4 0.00 m .4 739.20 m .4 225.50
#Includes Clean Up Old Adhesive as Necessary			
2 Moulding, Reveal	R GJA8850AB L GJA8851AB HJA3845AA	m	.7 196.25 .7 196.25 32.70
3 Seal, Lower W/S		m	.2 0.00
4 Mldg, Inside Garnish Gray	97-00 R HJA2122ABLFJ L HJA2123ABLFJ 01-03 R HJE2122BCLFJ	m	.2 0.00 .2 88.35 .2 86.00

JAGUAR XK8/XKR 1997-05

CENTER CONSOLE Cont'd



1 Console, Center¶ 1997 1998-02 Classic Level Trim Sport Level Trim 2003-05	GJD7610AALEG GJD7610BALEG GJD7610AALEG GJD7610CALEG GJA7650CALEG GJA7640CBLEG	3.5 3.5 3.5 3.5	935.00 d950.00 935.00 290.00 84.50 179.25
2 Panel, Rear Finish¶ 3 Ashtray, Center¶ 4 Lid, Console¶ w/Cup Holder 1997-02 Classic Level Trim 1998-99 Sport Level Trim 2003-05 w/o Cup Holder 1997-02 Classic Level Trim Ambla Trim Leather Sport Level Trim 2003-05 ¶Charcoal listed, Order by Application	97 GNA7670BGLEG 98-99 GNA7670BJLEG 00-02 GJD7670BALEG GJD7670AALEG GJD7670BALEG GNA7681AALEG GJB7681AALEG GJA7681AALEG GJB7681BALEG GJB7681AALEG	.5 .5 .5 .5 .5 .5 .5 .5 .5 .5 .5 .5 .5 .5 .5	240.00 299.00 d244.15 288.00 d244.15 165.00 174.50 158.50 145.00 174.50 15.45 13.75 14.30 13.75 14.30 12.55
5 Link, Stop 1997-98 1999 2000-02 w/Telephone w/o Telephone 2003-05	GJA7663AA GJB7663AA GJD7663CA GJB7663AA GJD7663CA GJA7661AA	15.45 13.75 14.30 13.75 14.30	
6 Latch, Lid 7 Bezel, Switch w/Cruise Control XK8 XKR w/o Cruise Control XK8 XKR	LJA6221DE LJD6221BA LJA6221CF LJB6221AA	.4 .4 .4 .4	97.90 96.05 55.90 71.35
8 Switch, Cruise Control-See Cruise Control System Section 9 Switch, Hood Release 10 Trim, Console-See Instrument Panel Section 11 Plate Kit, Trim-See Instrument Panel Section	LJA6229BA LJA6229BA		51.05
12 Tray, Coin Coupe Conv	GJA7842ABLEG GJA7842BDLEG GJA7843ABLEG		54.35 50.00 3.40
13 Liner, Coin Tray 14 Radio, AM-FM Cassette	97 LJA4100BA 98-99 LJB4100BA 00-05 LJD4100AB	#1.8 #1.8 #1.8	391.00 910.00 985.00
¶Includes R&L Center Console Assy, Not Included in R&R Center Console			
15 Brkt, Console 16 Brkt, Rear	R GJA7846AD L GJA7847AD C2N001755		24.00 24.00 2.70

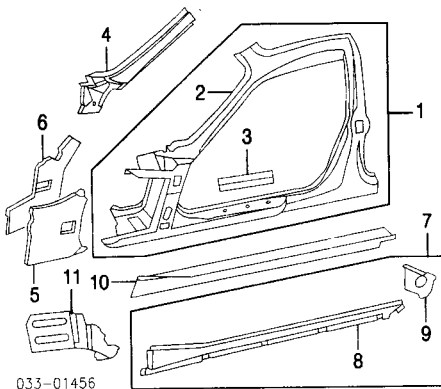
ROCKER/PILLARS/FLOOR

Use Procedure Explanations 14, 15 and 28 with the following text.

SHEET METAL COUPE

Refinish Side Body Panel Assy	R/L	4.0
Refinish Hinge Pillar	R/L	1.0
Refinish Rocker Panel	R/L	1.6
R&R Hinge Pillar	R/L	8.5
R&R Rocker Panel	R/L	#7.0

¶Deduct 1.5 w/Quarter Panel Removed



1 Frame Assy, Door Opening	97-03 R FJE3304AA L FJE3305AA 04-05 R C2N002837 L C2N002839	s #18.4 s #18.4 s #18.4 s #18.4	499.00 499.00 414.00 414.00
2 Frame, Door Opening¶	97-03 R FJA1304AJ L FJA1305AJ 04-05 R C2N002855 L C2N002857	s #19.5 s #19.5 s #19.5 s #19.5	201.90 201.90 335.00 335.00

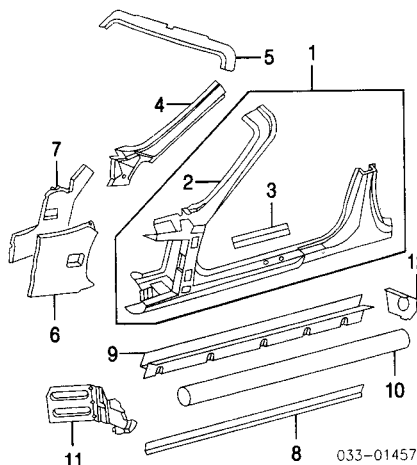
¶Necessary Bolted Parts, Windshield & Necessary Trim

3 Reinf, Rocker Panel¶	R/L CAP000225	s	154.50
¶Included w/Door Opening Frame Assy			
4 Reinf, W/S Pillar	R FJA1162AC L FJA1163AC	2.0 2.0	146.30 146.30
5 Panel, Outer Pillar	97-03 R FJA1974AD L FJG1975AA 04-05 R FJG1974AA L FJG1975AA		182.85 161.20 161.20 161.20
6 Panel, Inner Pillar	R FJG1916AB L FJG1917AB		193.65 193.65
7 Reinforcement Assy, Outer Rocker	1997-99-Serviced by Components 2000-05 R FJD3338AA L FJD3339AA	s s	120.00 120.00
8 Reinf, Outer Rocker	1997-99 (a) R JLM20068 L FJD3339AA	s s	309.00 120.00
2000-05-Serviced w/Outer Rocker Reinf Assy			
9 Panel, Rear Closing (a)	R C2N003418 L FJA2233AC		40.65 46.25
(a) Included w/Outer Rocker Reinforcement Assy			
10 Panel, Inner Rocker	R/L JLM20066-7	s	205.50
11 Panel, Front Closing	R FJA1342AE L FJA1343AE		77.25 77.25

SHEET METAL CONV

Refinish Side Body Panel Assy	R/L	3.5
Refinish Hinge Pillar	R/L	1.0
Refinish Rocker Panel	R/L	1.6
Refinish Header Panel	R/L	1.2
R&R Hinge Pillar	R/L	8.5
R&R Rocker Panel	R/L	#7.0

¶Deduct 1.5 w/Quarter Panel Removed



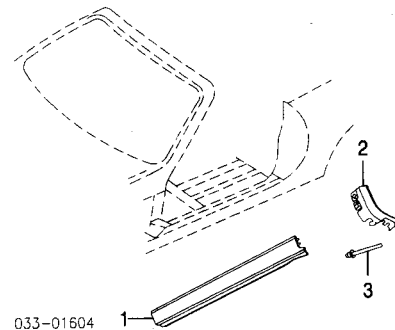
1 Frame Assy, Door Opening	97-03 R FJE3304BA L FJE3305BA 04-05 R C2N002838 L C2N002840	s #16.0 s #16.0 s #16.0 s #16.0	377.00 377.00 345.00 345.00
2 Frame, Door Opening¶	97-03 R FJA1304BJ L FJA1305BJ 04-05 R C2N002856 L C2N002858	s #18.5 s #18.5 s #18.5 s #18.5	184.90 184.90 276.00 276.00

¶w/Windshield, Necessary Trim & Bolted Parts & Assemblies

Removed			
3 Reinf, Rocker Panel¶	R/L CAP000225	s	154.50
¶Included w/Door Opening Frame Assy			
4 Reinf, W/S Pillar	R FJA1162AC L FJA1163AC	2.0 2.0	146.30 146.30
5 Panel, Header	FJA3104BD	#5.4	381.00
¶w/Windshield, Necessary Trim. Bolted Parts & Assemblies			
Removed			
6 Panel, Outer Pillar	R FJA1974AD L FJG1975AA		182.85 161.20
7 Panel, Inner Pillar	R FJG1916AB L FJG1917AB		193.65 193.65
8 Reinf, Upper Rocker	97-02 R/L FJA1618BA 03-05 R/L FJA1618BB	s s	12.10 11.40
9 Reinf, Lwr Rocker	R/L FJA3619BA	s	225.05
10 Tube, Reinforcement	R/L BJC001024	s	154.50
11 Panel, Front Closing	R FJA1342BE L FJA1343BE		77.25 77.25
12 Panel, Rear Closing	R C2N003418 L FJA2233AC		40.65 46.25

EXTERIOR TRIM COUPE

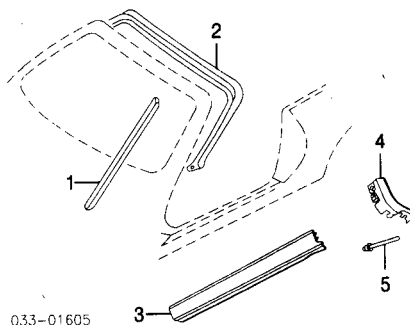
Refinish Rocker Panel Moulding	R/L	1.2
Refinish End Cap	R/L	.3



1 Moulding, Rocker Panel (P)	R C2N003522XXX L C2N003523XXX	1.1 1.1	114.25 114.25
2 Cap, End (P)	R C2N003409XXX L C2N003410XXX		18.35 18.35
(P) Paint to Match			
3 Rivet, Moulding (9/Side)	R/L C2C003564		1.85

EXTERIOR TRIM CONV

Refinish Rocker Panel Moulding	R/L	1.2
Refinish End Cap	R/L	.3



1 Moulding, Pillar	R HJE7708AA L HJE7709AA	.2 .2	131.10 131.10
2 W/Strip, Header	HJC7715AD	.5	205.00
3 Moulding, Rocker Panel (P)	R C2N003522XXX L C2N003523XXX	1.1 1.1	114.25 114.25
4 Cap, Moulding (P)	R C2N003409XXX L C2N003410XXX		18.35 18.35
(P) Paint to Match			
5 Rivet, Moulding (9/Side)	R/L C2C003564		1.85

Illustration Located in Next Column

INTERIOR TRIM COUPE

1 Midg, Inside Garnish-See Windshield Section	R HJA1380ADLEG L HJA1381ADLEG	.3 .3	109.70 109.70
2 Panel, Cowl Trim¶	¶Charcoal listed, Order by Application		
3 Weatherstrip, Door Opening	R HJA5364AJ L HJA5365AJ	.6 .6	289.00 289.00
4 Seal, Lower	R/L HJA1650AD	.4	83.70

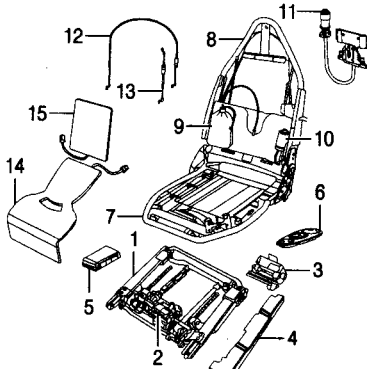
Stainless Steel R/L HXG6034AA #3 56.90
#R&R One Side Complete

FRONT SEAT

Use Procedure Explanation 30 with the following text.

W/RECARO SEATS

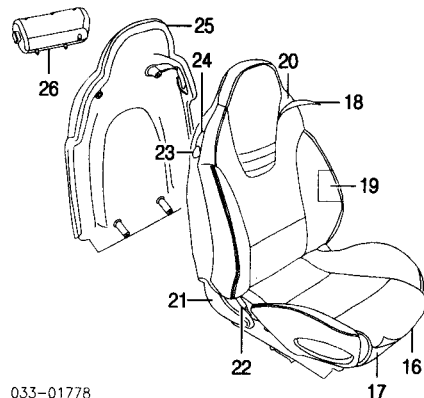
R&L Seat Assy (Each Side)..... R/L .3



033-01781

1 Track, Adjuster Seat] w/Memory 1997-00 Passenger Side GJD4800DA #3 1100.00 Driver Side GJD4801DA #3 1070.00 2001-05 Passenger Side GJE4800DA #3 1100.00 Driver Side GJE4800DA #3 1100.00 w/o Memory 1997-00 Passenger Side GJD4800CA #3 1470.00 Driver Side GJD4800CA #3 1470.00 2001-05 Passenger Side GJE4800CA #3 1100.00 Driver Side GJE4802CA #3 1100.00 GJA4713BA #3 590.00 GJA4711CA #3 515.00 <i>Order by Application</i>	2 Motor, Height Adjust]	3 Motor, Fore/Aft Adjust] <i>Order by Application</i>	4 Cover, Track] 1997-00 Passenger Side GJA4750ABLEG 30.55 Driver Side GJA4751ABLEG 16.85 2001-05 Passenger Side GJE4750ACLEG 11.90 Driver Side GJE4751ACLEG 11.90 <i>Charcoal listed, Order by Application</i>	5 Module, Seat Control] 1997 To VIN 003299 Passenger Side LJA2160AE00D #2 0.00 Driver Side LJA2160AE00D #2 0.00 From VIN 003300 Passenger Side LJA2160AG4 #2 375.00 Driver Side LJA2160AG4 #2 375.00 1998-00 Passenger Side LJA2160AG4 #2 375.00 Driver Side LJA2160AG4 #2 375.00 2001-05 Passenger Side LJE2160AB1 #2 396.00 Driver Side LJE2160AB1 #2 396.00 <i>Order by Application</i>	6 Switch, Seat] 1997-00 4-Way Adjust Passenger Side LJB6030AALEG #2 146.00 Driver Side LJB6030AALEG #2 146.00 6-Way Adjust Passenger Side LJB6035AALEG #2 155.55 Driver Side LJB6035AALEG #2 155.55 2001-05 8-Way Adjust Passenger Side LJE6030ABLEG #2 124.40 Driver Side LJE6031ABLEG #2 124.40 12-Way Adjust Passenger Side LJE6034ABLEG #2 124.40 Driver Side LJE6035ABLEG #2 124.40 <i>Charcoal listed, Order by Application</i> #w/Seat Assy Removed	7 Frame, Seat Bottom] Passenger Side GJE4220BA #8 675.00 Driver Side GJE4220BA #8 675.00 #w/Seat Assy Removed, Includes R&R Seat Cushion Cover & Pad	8 Frame, Backrest 1997-02 Passenger Side GXG4230AA #9 750.00 Driver Side GXG4231AA #9 750.00 2003-05 Passenger Side GJE4230CA #9 525.00 Driver Side GJE4231CA #9 625.00 #w/Seat Assy Removed, Includes R&R Seat Back Cover & Pad	9 Adjuster, Lumbar
---	--------------------------------	---	--	---	--	---	---	---------------------------

Passenger Side GJE4776AA 279.00 Driver Side GJE4776AA 279.00	10 Motor, Backrest Passenger Side 97-00 R/L GJA4713AA 515.00 01-05 R/L GJE4713AA 468.00 Driver Side 97-00 R/L GJA4713AA 515.00 01-05 R/L GJE4713AA 468.00 GJE4770CA 212.70	11 Motor, Headrest Adjust Cable, Actuator 12 Long Passenger Side BEC009309 79.60 Driver Side BEC009309 79.60 13 Short Passenger Side GJE4764AA 19.15 Driver Side GJE4764AA 19.15 14 Heater, Seat Cushion Passenger Side LXG2700AA 84.75 Driver Side LXG2700AA 84.75 15 Heater, Seat Back Passenger Side LXG2706AA 84.75 Driver Side LXG2706AA 84.75
---	--	--



033-01778

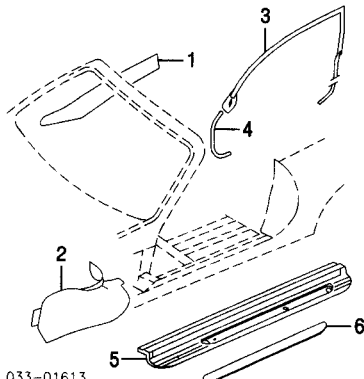
16 Cover, Seat Cushion] Passenger Side GXG4418BBLEG #8 745.00 Driver Side GXG4419BBLEG #8 745.00 <i>Charcoal listed, Order by Application</i>	17 Pad, Seat Cushion Passenger Side GXG4560AA #8 216.85 Driver Side GXG4403AB #8 196.25 #w/Seat Assy Removed, R&R One Side Complete	18 Cover, Seat Back] Passenger Side C2N2704LEG #9 0.00 Driver Side C2N2705LEG #9 0.00 <i>Charcoal listed, Order by Application</i>	19 Pad, Seat Back Outer Passenger Side R GXG4302AB #9 204.00 w/Slide Air Bag L GXG4303AB #9 204.00 Driver Side R/L GXG4302BA #9 148.10 w/o Side Air Bag Passenger Side R GXG4302AB #9 204.00 w/Slide Air Bag L GXG4303AB #9 204.00 Driver Side R/L GXG4302BA #9 148.10 Inner Passenger Side GXG4300AA #9 211.15 Driver Side GXG4300AA #9 211.15 #w/Seat Assy Removed, R&R One Side Complete	20 Cover, Outer Trim] Passenger Side R GJE4731AALEG 41.10 L GJE4733AALEG 72.65 Driver Side R GJE4733AALEG 72.65 L GJE4731AALEG 41.10	22 Cover, Inner Trim] Passenger Side R GJE4740AALEG 72.65 L GJE4741AALEG 72.65 Driver Side R GJE4740AALEG 72.65 L GJE4741AALEG 72.65	23 Knob, Release] Passenger Side GJB4760AALEG 15.55 Driver Side GJB4760AALEG 15.55	24 Bezel, Knob] Passenger Side GJE4762AALEG 10.25 Driver Side GJE4762AALEG 10.25	25 Panel, Seat Back Trim] Passenger Side GXG4600AALEG 505.00 Driver Side GXG4601AALEG 505.00	26 Pad, Headrest] Passenger Side LJE2165AB 337.00 Driver Side LJE2165AB 337.00 <i>Charcoal listed, Order by Application</i>
---	--	--	---	---	---	---	---	---	---

W/O RECARO SEATS LOW BACK

R&L Seat Assy (Each Side)..... R/L .3

Illustration Located in Next Column

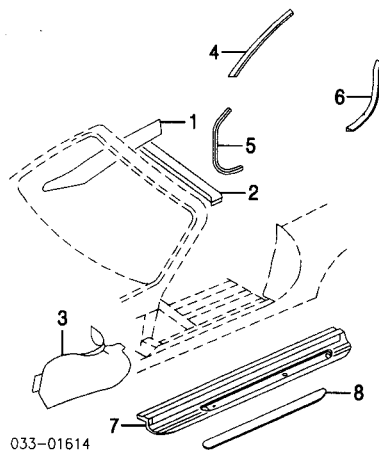
1 Track, Adjuster Seat] w/Memory
--



033-01613

5 Plate, Sill Scuff XK8 R HJA6060AB #3 56.15 L HJA6061AB #3 56.15 XKR R HXD6060BA #3 95.80 L HXD6061BA #3 95.80	6 Nameplate, Jaguar 1997 R/L HJA6034AD #3 23.75 1998 To VIN 024686 R/L HJA6034AD #3 23.75 From VIN 024687 R/L HJB6034AA #3 25.15 1999 R/L HJB6034AA #3 25.15 2000-02 XK8 R/L HJB6034AA #3 25.15 XKR R/L HJB6034BA #3 23.05 2003-05 XK8 R/L HJB6034AA #3 25.15 XKR R/L HJB6034BA #3 23.05 w/Perf Pkg R/L C2N001848 #3 38.65 w/o Perf Pkg R/L HXD6034BB #3 45.25 Aluminum R/L HXG6034AA #3 56.90 Stainless Steel #R&R One Side Complete
--	--

INTERIOR TRIM CONV



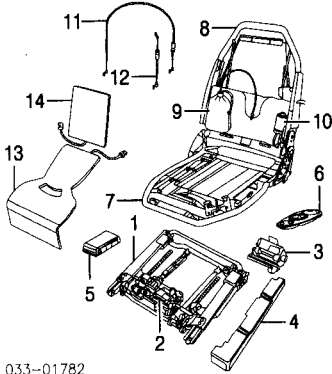
033-01614

1 Mldg, Inside Garnish-See Windshield Section	2 Mldg, Upper Garnish] HJE2155AALFJ .3 87.30 <i>Gray listed, Order by Application</i>	3 Panel, Cowl Trim] R HJA1380ADLEG #3 109.70 L HJA1381ADLEG #3 109.70 <i>Charcoal listed, Order by Application</i>	4 Weatherstrip, Upper R HJE7708AA #3 131.10 L HJE7708AA #3 131.10	5 Weatherstrip, Front R/L HJA1650AD #3 83.70	6 Weatherstrip, Rear R/L C2N002876-7 #3 90.40	7 Plate, Sill Scuff XK8 R HJA6060AB #3 56.15 L HJA6061AB #3 56.15 XKR R HXD6060BA #3 95.80 L HXD6061BA #3 95.80	8 Nameplate, Jaguar 1997 R/L HJA6034AD #3 23.75 1998 To VIN 024686 R/L HJA6034AD #3 23.75 From VIN 024687 R/L HJB6034AA #3 25.15 1999 R/L HJB6034AA #3 25.15 2000-02 XK8 R/L HJB6034AA #3 25.15 XKR R/L HJB6034BA #3 23.05 2003-05 XK8 R/L HJB6034AA #3 25.15 XKR R/L HJB6034BA #3 23.05 w/Perf Pkg R/L C2N001848 #3 38.65 w/o Perf Pkg R/L HXD6034BB #3 45.25 Aluminum
--	--	--	--	--	---	--	---

JAGUAR XK8/XKR 1997-05

FRONT SEAT Cont'd

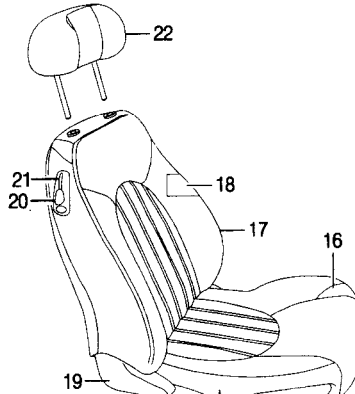
W/O RECARO SEATS LOW BACK Cont'd



033-01782

1997-00 Passenger Side Driver Side	GJD4800DA GJD4801DA	#.3 #.3	1100.00 1070.00
2001-05 Passenger Side Driver Side	GJE4800DA GJE4800DA	#.3 #.3	1100.00 1100.00
<i>w/o Memory</i>			
1997-00 Passenger Side Driver Side	GJD4800CA GJD4800CA	#.3 #.3	1470.00 1470.00
2001-05 Passenger Side Driver Side	GJE4800CA GJE4802CA GJA4713BA GJA4711CA	#.3 #.3 #.3 #.3	1100.00 1100.00 590.00 515.00
<i>2 Motor, Height Adjust*</i>			
<i>3 Motor, Fore/Aft Adjust*</i>			
<i>#/Order by Application</i>			
<i>#w/Seat Assy Removed, R&R One Side Complete</i>			
4 Cover, Track*			
1997-00 Passenger Side Driver Side	GJA4750ABLEG GJA4751ABLEG		30.55 16.85
2001-05 Passenger Side Driver Side	GJE4750ACLEG GJE4751ACLEG		11.90 11.90
<i>†Charcoal listed, Order by Application</i>			
5 Module, Seat Control*			
1997			
<i>To VIN 003299</i>			
Passenger Side Driver Side	LJA2160AE00D LJA2160AE00D	#.2 #.2	0.00 0.00
<i>From VIN 003300</i>			
Passenger Side Driver Side	LJA2160AG4 LJA2160AG4	#.2 #.2	375.00 375.00
1998-00 Passenger Side Driver Side	LJA2160AG4 LJA2160AG4	#.2 #.2	375.00 375.00
2001-05 Passenger Side Driver Side	LJE2160AB1 LJE2160AB1	#.2 #.2	396.00 396.00
<i>†Order by Application</i>			
6 Switch, Seat*			
1997-00			
4-Way Adjust Passenger Side Driver Side	LJB6030AALEG LJB6030AALEG	#.2 #.2	146.00 146.00
6-Way Adjust Passenger Side Driver Side	LJB6035AALEG LJB6035AALEG	#.2 #.2	155.55 155.55
2001-05			
8-Way Adjust Passenger Side Driver Side	LJE6030ABLEG LJE6031ABLEG	#.2 #.2	124.40 124.40
12-Way Adjust Passenger Side Driver Side	LJE6034ABLEG LJE6035ABLEG	#.2 #.2	124.40 124.40
<i>†Charcoal listed, Order by Application</i>			
<i>#w/Seat Assy Removed</i>			
7 Frame, Seat Bottom			
Passenger Side Driver Side	GJE4220BA GJE4220BA	#.8 #.8	675.00 675.00
<i>#w/Seat Assy Removed, Includes R&R Seat Cushion Cover & Pad</i>			
8 Frame, Backrest			
Passenger Side Driver Side	GJE4230CA GJE4231CA	#.9 #.9	525.00 625.00
<i>#w/Seat Assy Removed, Includes R&R/R Seat Back Cover & Pad</i>			
9 Adjuster, Lumbar			
Passenger Side Driver Side	GJE4776AA GJE4776AA		279.00 279.00
10 Motor, Backrest			
Passenger Side Driver Side	97-00 R/L GJA4713AA 01-05 R/L GJE4713AA 97-00 R/L GJA4713AA 01-05 R/L GJE4713AA		515.00 468.00 515.00 468.00
Cable, Actuator			
11 Long Passenger Side	BEC009309		79.60

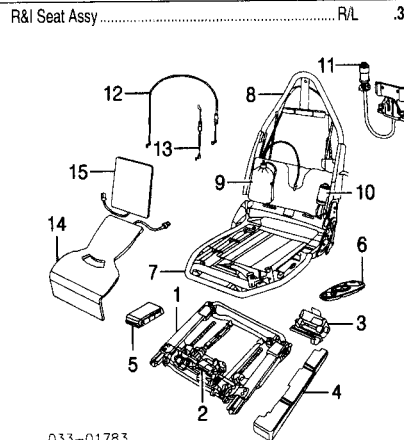
Driver Side	BEC009309		79.60
12 Short Passenger Side Driver Side	GJE4764AA GJE4764AA		19.15 19.15
13 Heater, Seat Cushion Passenger Side Driver Side	LXG2700AA LXG2700AA		84.75 84.75
14 Heater, Seat Back Passenger Side Driver Side	LXG2706AA LXG2706AA		84.75 84.75



033-01779

15 Cover, Seat Cushion*			
Passenger Side Driver Side	C2N2384LEG C2N2385LEG	#.8 #.8	0.00 0.00
<i>†Charcoal listed, Order by Application</i>			
16 Pad, Seat Cushion			
Passenger Side Driver Side	GXG4560AA GXG4403AB	#.8 #.8	216.85 196.25
<i>#w/Seat Assy Removed, R&R One Side Complete</i>			
17 Cover, Seat Back*			
Passenger Side Driver Side	C2N2386LEG C2N2387LEG	#.9 #.9	0.00 0.00
<i>†Charcoal listed, Order by Application</i>			
18 Pad, Seat Back			
Passenger Side Driver Side	GJE4300AA GJE4301AA	#.9 #.9	173.05 173.05
<i>#w/Seat Assy Removed, R&R One Side Complete</i>			
19 Cover, Trim*			
Passenger Side Driver Side	R GJE4730AALEG L GJE4732AALEG R GJE4733AALEG L GJE4731AALEG	d41.10 d72.65 72.65 41.10	
20 Knob, Release*			
Passenger Side Driver Side	GJB4760AALEG GJB4760AALEG		15.55 15.55
21 Bezel, Knob*			
Passenger Side Driver Side	GJE4762AALEG GJE4762AALEG		10.25 10.25
22 Headrest*			
Passenger Side Driver Side	C2N2402LEG C2N2402LEG	#.1 #.1	0.00 0.00
<i>†Charcoal listed, Order by Application</i>			
<i>#Included in R&R Seat Back Cover</i>			

W/O RECARO SEATS HIGH BACK



033-01783

1 Track, Adjuster Seat*			
<i>w/Memory</i>			
1997-00			
Passenger Side Driver Side	GJD4800DA GJD4801DA	#.3 #.3	1100.00 1070.00
2001-05			
Passenger Side Driver Side	GJE4800DA GJE4800DA	#.3 #.3	1100.00 1100.00

<i>w/o Memory</i>			
1997-00			
Passenger Side Driver Side	GJD4800CA GJD4800CA	#.3 #.3	1470.00 1470.00
2001-05			
Passenger Side Driver Side	GJE4800CA GJE4802CA GJA4713BA GJA4711CA	#.3 #.3 #.3 #.3	1100.00 1100.00 590.00 515.00

†Order by Application
#w/Seat Assy Removed, R&R One Side Complete

4 Cover, Track*			
1997-00			
Passenger Side Driver Side	GJA4750ABLEG GJA4751ABLEG		30.55 16.85
2001-05			
Passenger Side Driver Side	GJE4750ACLEG GJE4751ACLEG		11.90 11.90
<i>†Charcoal listed, Order by Application</i>			

5 Module, Seat Control*			
1997			
<i>To VIN 003299</i>			
Passenger Side Driver Side	LJA2160AE00D LJA2160AE00D	#.2 #.2	0.00 0.00
<i>From VIN 003300</i>			
Passenger Side Driver Side	LJA2160AG4 LJA2160AG4	#.2 #.2	375.00 375.00
1998-00 Passenger Side Driver Side	LJA2160AG4 LJA2160AG4	#.2 #.2	375.00 375.00
2001-05 Passenger Side Driver Side	LJE2160AB1 LJE2160AB1	#.2 #.2	396.00 396.00
<i>†Order by Application</i>			

6 Switch, Seat*			
1997-00			
4-Way Adjust Passenger Side Driver Side	LJB6030AALEG LJB6030AALEG	#.2 #.2	146.00 146.00
6-Way Adjust Passenger Side Driver Side	LJB6035AALEG LJB6035AALEG	#.2 #.2	155.55 155.55
2001-05			
8-Way Adjust Passenger Side Driver Side	LJE6030ABLEG LJE6031ABLEG	#.2 #.2	124.40 124.40
12-Way Adjust Passenger Side Driver Side	LJE6034ABLEG LJE6035ABLEG	#.2 #.2	124.40 124.40
<i>†Charcoal listed, Order by Application</i>			
<i>#w/Seat Assy Removed</i>			

7 Frame, Seat Bottom			
Passenger Side Driver Side	GJE4220BA GJE4220BA	#.8 #.8	675.00 675.00
<i>#w/Seat Assy Removed, Includes R&R Seat Cushion Cover & Pad</i>			

8 Frame, Backrest			
Passenger Side Driver Side	GJE4230CA GJE4231CA	#.9 #.9	525.00 625.00
<i>#w/Seat Assy Removed, Includes R&R/R Seat Back Cover & Pad</i>			

9 Adjuster, Lumbar			
Passenger Side Driver Side	GJE4776AA GJE4776AA		279.00 279.00

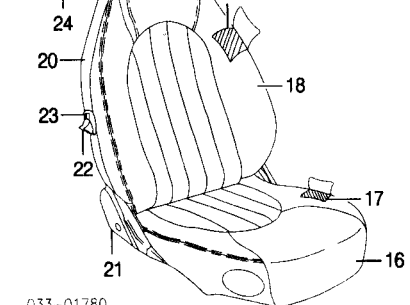
10 Motor, Backrest			
Passenger Side Driver Side	R/L GJE4713AA R/L GJE4713AA GJE4770CA		468.00 468.00 212.70

11 Motor, Headrest Adjust Cable, Actuator			
12 Long Passenger Side Driver Side	BEC009309 BEC009309		79.60 79.60

13 Short			
Passenger Side Driver Side	GJE4764AA GJE4764AA		19.15 19.15

14 Heater, Seat Cushion			
Passenger Side Driver Side	LXG2700AA LXG2700AA		84.75 84.75

15 Heater, Seat Back			
Passenger Side Driver Side	LXG2706AA LXG2706AA		84.75 84.75



033-01780

16 Cover, Seat Cushion*			
Passenger Side Leather	GJB4437ABLGE GJB4436BLEG	#.8 #.8	375.00 655.00

JAGUAR XK8/XKR 1997-05

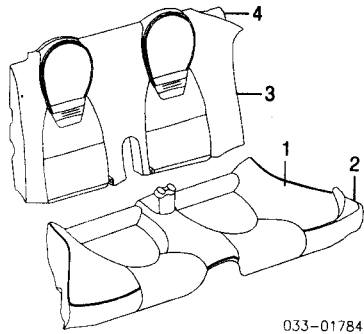
Driver Side Cloth	GJB4437ABLGE	#.8	375.00
Leather	GJB4437BLEG	#.8	655.00
†Charcoal listed, Order by Application			
17 Pad, Seat Cushion			
Passenger Side	GJA4402BC	#.8	234.35
Driver Side	GJA4403BC	#.8	234.35
#w/Seat Assy Removed, R&R One Side Complete			
18 Cover, Seat Back†			
Passenger Side			
Cloth	GJB4316AALEG	#.9	0.00
Leather	GJB4316ALEG	#.9	880.00
Driver Side			
Cloth	GJB4316AALEG	#.9	0.00
Leather	GJB4316ALEG	#.9	880.00
†Charcoal listed, Order by Application			
19 Pad, Seat Back			
Passenger Side	GJD4300AA	#.9	181.80
Driver Side	GJD4300AA	#.9	181.80
#w/Seat Assy Removed, R&R One Side Complete			
20 Panel, Seat Back Trim†			
Passenger Side	GJB4600AALEG		530.00
Driver Side	GJB4601AALEG		530.00
21 Cover, Outer Trim†			
Passenger Side			
R	GJB4731AALEG		46.20
L	GJB4733AALEG		43.60
Driver Side			
R	GJB4733AALEG		43.60
L	GJB4731AALEG		46.20
22 Knob, Release†			
Passenger Side	GJB4760AALEG		15.55
Driver Side	GJB4760AALEG		15.55
23 Bezel, Knob†			
Passenger Side	GJE4762AALEG		10.25
Driver Side	GJE4762AALEG		10.25
24 Pad, Headrest†			
Passenger Side	LJE2165AB		337.00
Driver Side	LJE2165AB		337.00
†Charcoal listed, Order by Application			

REAR SEAT

Use Procedure Explanation 30 with the following text.

W/RECARO SEATS

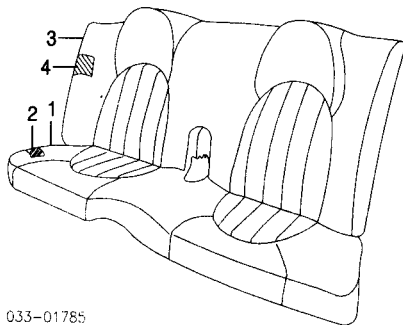
R&I Rear Seat Assy 4



1 Cover, Seat Back†			
Coupe	GXG5584BAAGD	#1.0	1250.00
Conv	GXG5589AALEG	#1.0	1250.00
2 Pad, Seat Back†			
Coupe	GXG5524BALEG	#1.0	1525.00
Conv	GXG5589AALEG	#1.0	1250.00
#w/Seat Assy Removed, R&R Complete			
3 Cover, Seat Cushion†			
Coupe	GXG5360AALEG	#1.0	1120.00
Conv	GXG5362AALEG	#1.0	1120.00
4 Pad, Seat Cushion†			
Coupe	GXG5300BBLEG	#1.0	870.00
Conv	GXG5304ABLEG	#1.0	870.00
†Charcoal listed, Order by Application			
#w/Seat Assy Removed, R&R Complete			

W/O RECARO SEATS

R&I Rear Seat Assy 4



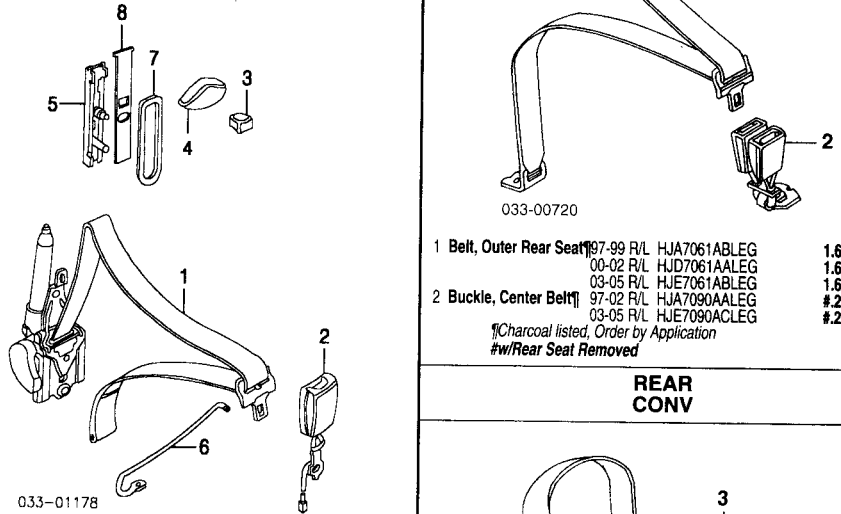
1 Cover, Seat Back†

Coupe	C2N3187LEG	#1.0	0.00
Conv	C2N3192LEG	#1.0	0.00
2 Pad, Seat Back†			
Coupe	C2N3163LEG	#1.0	0.00
Conv	C2N3166LEG	#1.0	0.00
#w/Seat Assy Removed, R&R Complete			
3 Cover, Seat Cushion†			
Coupe	C2N3184LEG	#1.0	0.00
Conv	C2N3188LEG	#1.0	0.00
4 Pad, Seat Cushion†			
Coupe	C2N3164LEG	#1.0	0.00
Conv	C2N3167LEG	#1.0	0.00
†Charcoal listed, Order by Application			
#w/Seat Assy Removed, R&R Complete			

SEAT BELTS

Use Procedure Explanation 30 with the following text.

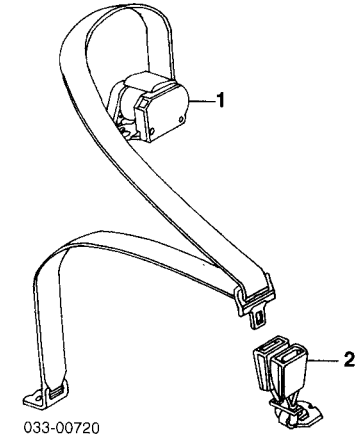
FRONT



1 Belt, Front Seat†			
1997-00			
R	HJA7010ABLEG	1.2	187.50
L	HJA7055ABLEG	1.2	187.50
2001-02			
Coupe			
R	HJE7034ABLEG	1.2	185.95
L	HJE7033ABLEG	1.2	185.95
Conv			
R	HJE7034BBLEG	1.2	185.95
L	HJE7033BBLEG	1.2	185.95
2003			
Coupe			
R	C2N002199LEG	1.2	168.40
L	C2N002202LEG	1.2	168.40
Conv			
R	C2N002201LEG	1.2	168.40
L	C2N002204LEG	1.2	168.40
2004			
Coupe			
To VIN A40017			
R	C2N002199LEG	1.2	168.40
L	C2N002202LEG	1.2	168.40
From VIN A40018			
R	C2N003195LEG	1.2	152.95
L	C2N002202LEG	1.2	168.40
Conv			
To VIN A40017			
R	C2N002201LEG	1.2	168.40
L	C2N002204LEG	1.2	168.40
From VIN A40018			
R	C2N003196LEG	1.2	152.95
L	C2N002204LEG	1.2	168.40
2005			
Coupe			
R	C2N003195LEG	1.2	152.95
L	C2N002202LEG	1.2	168.40
Conv			
R	C2N003196LEG	1.2	152.95
L	C2N002204LEG	1.2	168.40
2 Buckle, Belt†			
97-00	R HJA7012DAALEG	.4	d179.60
	L HJB7012CALEG	.4	181.80
01-02	R HJD7012BALEG	.4	157.10
	L HJD7012AALEG	.4	134.45
03-05	R/L HJE7017AGLEG	.4	119.00
†Charcoal listed, Order by Application			
3 Knob, Belt Adjuster			
Coupe			
1997-02	R/L HJA7140AALEG		2.25
2003-05-Serviced w/Belt Height Adjuster			
4 Cap, Seat Belt†			
1997-02	R/L HND7150AALEG		1.80
2003-05			
Coupe	R/L HJE7151ABLEG		1.55
Conv	R/L HND7150AALEG		1.80
5 Adjuster, Belt Height†			
Coupe			
97-02	R/L HJA7044AC		51.25
03-05	R/L HJE7044ABLEG		27.95
†Black listed, Order by Application			
6 Bar, Belt Slider			
97-02	R HJA7040AA		24.05
	L HJA7041AA		24.05
03-05	R HJE7040BA		20.35
	L HJE7041BA		20.35
7 Bezel, Slider Bar†			
Coupe			
97-02	R/L GJA2486ACLEG		10.50
03-05	R GJE2480ACLEG		10.75
	L GJE2481ACLEG		10.75

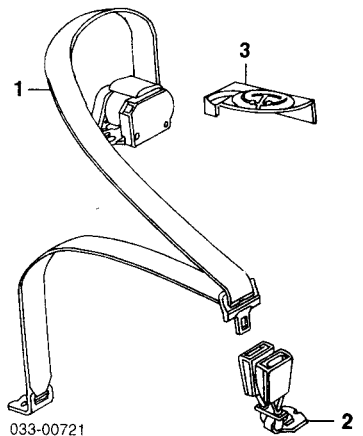
8 Shield, Slider Bar†			
Coupe			
1997-02	R/L GJA2488ACLEG		10.50
2003-05-Serviced w/Belt Height Adjuster			
†Charcoal listed, Order by Application			

REAR COUPE



1 Belt, Outer Rear Seat†			
197-99	R/L HJA7061ABLEG	1.6	181.80
00-02	R/L HJD7061AALEG	1.6	208.60
03-05	R/L HJE7061ABLEG	1.6	171.50
2 Buckle, Center Belt†			
97-02	R/L HJA7090ACLEG	#.2	86.00
03-05	R/L HJE7090ACLEG	#.2	62.35
†Charcoal listed, Order by Application			
#w/Rear Seat Removed			

REAR CONV



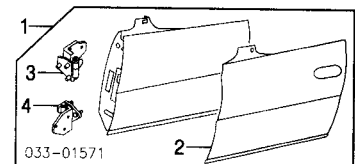
1 Belt, Outer Rear Seat†			
97-02	R/L HJD7061BALEG	1.7	208.60
03-05	R/L HJE7061BBLEG	1.7	171.50
2 Buckle, Center Belt†			
97-02	R/L HJA7090AALEG	#.2	86.00
03-05	R/L HJE7090ACLEG	#.2	62.35
#w/Rear Seat Removed			
3 Cover, Belt†			
	R HJA7106BBLEG		4.35
	L HJA7107BBLEG		9.20
†Charcoal listed, Order by Application			

FRONT DOOR

Use Procedure Explanations 16 and 28 with the following text.

SHEET METAL

Refinish Door Outside	R/L	2.2
Add for Jamb & Interior	R/L	1.0
Add for Jamb	R/L	.5
Refinish Upper Hinge	R/L	.2
Refinish Lower Door	R/L	.2
R&I Door Assy	R/L	1.8



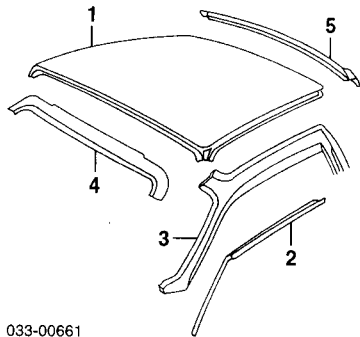
#Includes R&R Door Glass & Regulator

ROOF

Use Procedure Explanations 17 and 28 with the following text.

SHEET METAL/EXTERIOR TRIM COUPE

Refinish Roof Outside 2.8

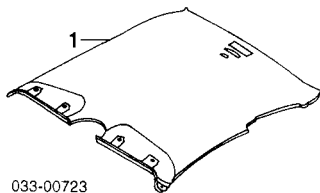


033-00661

1 Panel, Roof	FJA1102AB	22.0	970.00
2 Moulding, Drip Rail	97-03 R HJA5340BF	.4	123.85
	L HJA5341BF	.4	123.85
	04-05 R/L C2N002782-3	.4	98.65
3 Rail, Outer Side†	See Rocker/Pillars/Floor Section		
	†Serviced w/Door Opening Frame Assy		
4 Panel, Front Header	FJE1104AA	1.5	105.10
5 Panel, Rear Header	FJG1105AA	1.5	95.80

INTERIOR TRIM COUPE

R&I Headliner 3.5



033-00723

1 Headliner†	97-02 HJA1005ACLFJ	3.5	466.00
	03-05 C2N003333LFJ	3.5	483.00
	†Gray listed, Order by Application		

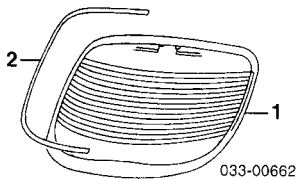
BACK WINDOW

Use Procedure Explanation 19 with the following text.

COUPE

R&I Back Glass #3.8

#Includes Clean Up Old Adhesive as Necessary

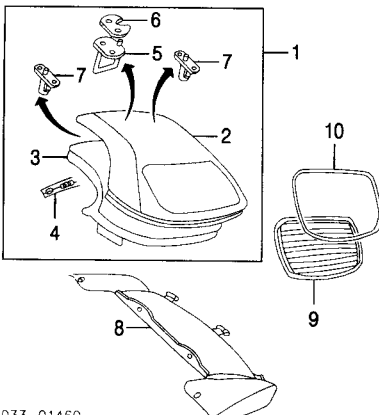


033-00662

1 Glass, Back Window			
Jaguar (Tint)			
1997-03			
w/High Mount Stop Lamp	GJG9021BA	#3.4	550.00
w/High Mount Stop Lamp	97-02 GJA9021BF	#3.4	530.00
	03 GJG9021AA	#3.4	545.00
	C2N002961	#3.4	550.00
	2004-05	#3.4	640.40
	NAGS (Green)	#3.4	640.40
	FB20150GTN		
	#Includes Clean Up Old Adhesive as Necessary		
2 Moulding, Reveal	R GJA9018AB		103.00
	L GJA9019AB		103.00

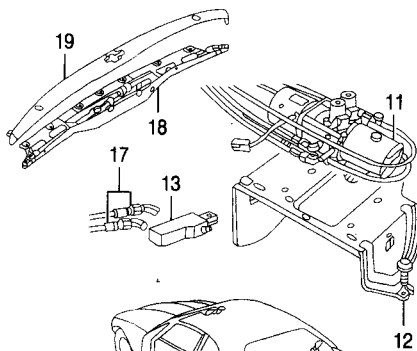
CONVERTIBLE TOP

R&I Convertible Top Assy 4.0



033-01460

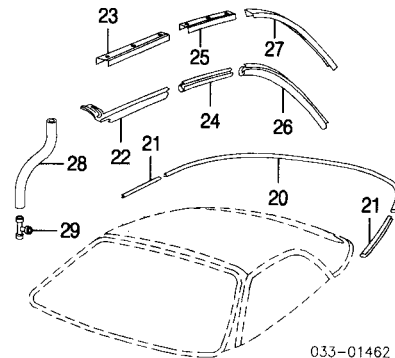
1 Cover/Frame Assy, Top (a)	JLMO21291PDM	5.0	6500.00
2 Cover, Outer Top† (a)	HJC7732AAPDM	5.5	770.00
	(a) Black listed, Order by Application		
3 Headliner† (a)	HJA7808AAAGD		495.00
	(a) Oatmeal listed, Order by Application		
4 Plate, Front Closing†	HJB8170AA		30.95
5 Striker, Latch†	HJA8210BC		22.80
6 Spacer, Striker†	HJB8213CA		8.55
7 Pin, Latching†	R/L HJA8211BB		34.05
	†Included w/Top Cover/Frame Assy		
8 Cover, Top Storage (a)	HUD7712AALEG		805.00
	(a) Charcoal listed, Order by Application		
9 Window, Back			
Jaguar (Heated/Tint)	GJA9021FE	2.9	550.00
NAGS (Green)	FB20180GTN	2.9	785.60
GJA9022AC			76.50
10 Seal, Back Glass			



033-01461

11 Pump, Top Lift	HJC8241AA		1490.00
12 Brkt, Pump Mtg	97-99 HJA8205BD		50.45
	00-05 HJD8205AA		52.05
	HJD8243AA		308.00
13 Cylinder, Latch			
14 Cylinder, Top Lift			
1997-98	R HJA8254CC		233.30
	L HJA8255CB		233.30
1999			
To VIN 031317	R HJA8254CC		233.30
	L HJA8255CB		233.30
From VIN 031318	R HJB8254AA		230.75
	L HJB8255AA		237.95
2000-05	R HJC8254AA		259.00
	L HJB8255AA		237.95
	R/L JZY100018		4.20
15 Pin, Spring			
16 Hose, Cylinder			
1997-98	R HJA8252AB		97.35
	L HJA8253AB		136.25
1999			
To VIN 031317	R HJA8252AB		97.35
	L HJA8253AB		136.25
From VIN 031318	R HJB8252AA		133.90
	L HJB8253AA		133.90
2000-05	R HJB8252AA		133.90
	L HJB8253AA		133.90
17 Hose, Power Latch			
1997-98	R/L HJA8256AB		74.20
1999			
To VIN 031317	R/L HJA8256AB		74.20
From VIN 031318	HJB8256AA		111.25

2000-05	HJB8256AA	111.25
18 Latch	HJE8226AB	825.00
19 Cover, Latch		
1997		
To VIN 011773	HJA7727BE	115.90
From VIN 011774	HJA7727BH	102.00
1998-03	HJA7727BH	102.00
2004-05	HJA7727BH	102.00



033-01462

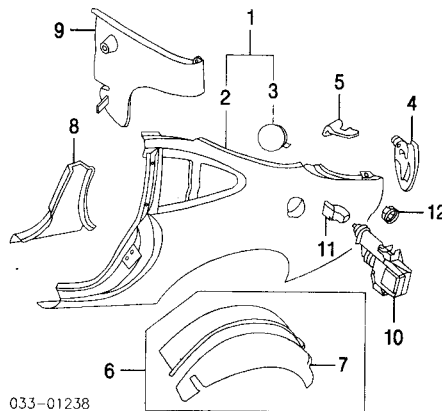
20 Weatherstrip, Storage Cover	HJA7718AA		77.80
21 Seal, Storage Frame	R/L HJA8138AB		86.30
22 Seal, Frt Top	R HJG7778AA		130.55
	L HJG7779AA		130.55
	R HJA7736AC		36.05
	L HJA7737AC		23.85
	R HJB7780AA		109.20
	L HJB7781AA		109.20
	R HJA7738AC		30.75
	L HJA7739AC		30.75
	R HJB7782AA		112.05
	L HJB7783AA		112.05
	R HJA7740AC		32.70
	L HJA7741AC		36.05
	R HJC8130CA		33.30
	L HJC8130DA		33.30
29 Fitting, Drain Hose	KCH310100		2.55

QUARTER PANEL

Use Procedure Explanations 20 and 28 with the following text.

SHEET METAL COUPE

Refinish Quarter Outside	R/L	2.3
Add to Edge Panel	R/L	.5
Add for Pillar	R/L	.5
Refinish Fuel Door		#.4
#Included in Refinish Left Quarter Outside		
R&R Both Quarter Panels		31.6
R&R Roof & Both Quarter Panels		42.9
R&R Rear Body Panel & Both Quarter Panels		33.1
R&R Roof, Both Quarters & Rear Body Panel		44.4
Add to R&R Quarter Panel		
To R&I Quarter Glass	R/L	.2
To R&I Back Glass		.4



033-01238

1 Panel Assy, Quarter	97-03 R JLMO20070	#19.0	1650.00
	L JLMO20071	#18.0	1650.00
	04-05 R C2N003004	#19.0	1090.00
	L C2N003005	#18.0	1090.00
2 Panel, Outer Qtr†	97-03 R FJA1320AF	#19.0	935.00
	L FJA1321AF	#18.0	935.00
	04-05 R C2N002864	#19.0	915.00
	L C2N002866	#18.0	915.00
	#Deduct 5.7 w/Roof Removed, Deduction Includes Common Surfaces & Included Operations		
3 Door, Fuel Filler†	L FJA3089AG	.2	63.60
	†Included w/Quarter Panel Assy		

QUARTER PANEL Cont'd

SHEET METAL

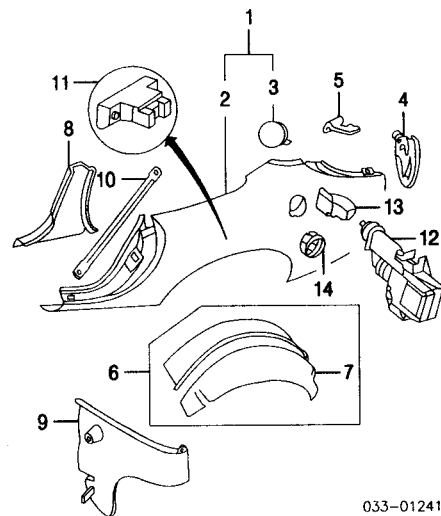
COUPE Cont'd

4 Panel, Lamp Mtg	97-00 R FJA1400AC	1.0	64.90
	L FJA1401AC	1.0	64.90
	01-05 R FJE3404AB	1.0	58.75
	L FJE3405AB	1.0	58.75
5 Panel, Drain Channel	R FJE1406AB	1.0	20.30
	L FJE1407AB	1.0	20.30
6 Wheelhouse Assy	R FJE3328AA	6.5	263.00
	L FJE3329AA	6.5	263.00
7 Panel, Outer Whihse (a)	R FJA1330AG	2.5	311.00
	L FJA1331AF	2.5	311.00
<i>(a) Included w/Wheelhouse Assy</i>			
8 Pillar, Inner Lock	R FJB1628AC	1.0	231.75
	L FJB1629AC	1.0	231.75
9 Liner, Wheelhouse	97-00 R/L C2N002754-5	.3	16.10
	01-05 R/L C2N002754-5	.3	16.10
10 Latch, Fuel Door	L HJA3093BE	.2	63.10
11 Striker, Latch	L HJA3097AD	.2	8.25
12 Nut, Latch	L HJA3108AC		1.15

SHEET METAL CONV

Refinish Quarter Outside.....	R/L	2.6
Add to Edge Panel.....	R/L	.5
Add for Pillar.....	R/L	.5
Refinish Fuel Door.....		#.4

<i>#Included in Refinish Left Quarter Outside</i>		
R&R Both Quarter Panels.....		36.4
R&R Rear Body Panel & Both Quarter Panels.....		37.9

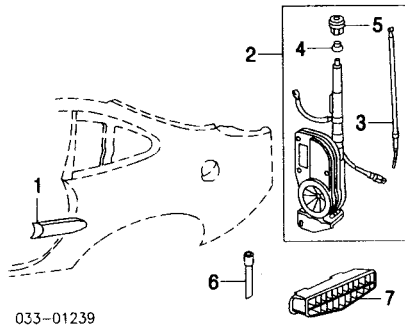


033-01241

1 Panel Assy, Quarter	97-03 R JLM020072	19.5	1600.00
	L JLM020073	18.5	1600.00
	04-05 R C2N003007	19.5	985.00
	L C2N003006	18.5	985.00
2 Panel, Outer Qtr	97-03 R FJA1320BE	19.5	935.00
	L FJA1321BE	18.5	935.00
	04-05 R C2N002865	19.5	915.00
	L C2N002866	18.5	915.00
3 Door, Fuel Filter	R FJA3089AG	.2	63.60
<i>#Included w/Quarter Panel Assy</i>			
4 Panel, Lamp Mtg	97-00 R FJA1400AC	1.0	64.90
	L FJA1401AC	1.0	64.90
	01-05 R FJE3404AB	1.0	58.75
	L FJE3405AB	1.0	58.75
5 Panel, Drain Channel	R FJE1406AB	1.0	20.30
	L FJE1407AB	1.0	20.30
6 Wheelhouse Assy	R FJE3328AA	6.5	263.00
	L FJE3329AA	6.5	263.00
7 Panel, Outer Whihse (a)	R FJA1330AG	2.5	311.00
	L FJA1331AF	2.5	311.00
<i>(a) Included w/Wheelhouse Assy</i>			
8 Pillar, Inner Lock	R FJB1628AC	1.0	231.75
	L FJB1629AC	1.0	231.75
9 Liner, Wheelhouse	97-03 R/L C2N002754-5	.3	16.10
	04-05 R/L C2N002754-5	.3	16.10
10 Strut, Rear Reinf	R/L HJA4621AC		16.80
11 Mount, Side Body	R/L HJA7580AB		195.70
12 Latch, Fuel Door	L HJA3093BE	.2	63.10
13 Striker, Latch	L HJA3097AD	.2	8.25
14 Nut, Latch	L HJA3108AC		1.15

EXTERIOR TRIM COUPE

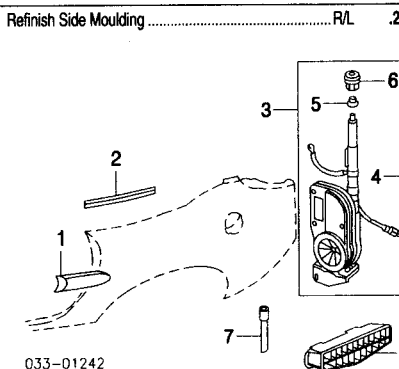
Refinish Side Moulding.....	R/L	2
-----------------------------	-----	---



033-01239

1 Moulding, Side (Adhesive) (P)	R HJA5716AAXXX	.2	80.85
	L HJA5717AAXXX	.2	80.85
<i>(P) Paint to Match</i>			
2 Antenna Assy, Power	R LJA4120AB	#.8	359.00
<i>#Includes R&I/R&R Rear Body Right Side Trim Panel</i>			
3 Mast/Cable	L LNA4134AA	.3	49.85
	L LNA4136AA		19.85
4 Nut, Antenna	L LJA4131AA		4.35
5 Grommet, Sealing	<i>#Included w/Power Antenna Assy</i>		
6 Tube, Antenna Drain	LJA4133AB		7.05
7 Vent, Pressure	R/L HJA3721AA	.2	25.15

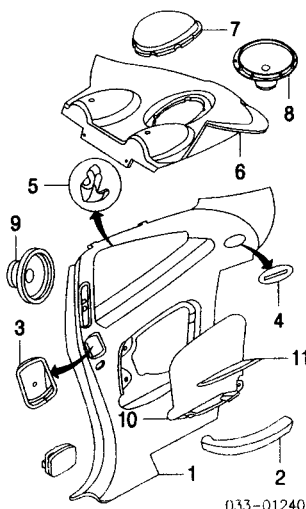
EXTERIOR TRIM CONV



033-01242

Refinish Side Moulding.....	R/L	2	
1 Moulding, Side (Adhesive) (P)	R HJA5716AAXXX	.2	80.85
	L HJA5717AAXXX	.2	80.85
<i>(P) Paint to Match</i>			
2 Moulding, Outer Belt	97-03 R HJA5754CC		51.05
	L HJA5755CC		51.05
	04-05 R/L C2N002997-8		49.70
3 Antenna Assy, Power	R LJA4120AB	#.8	359.00
<i>#Includes R&I/R&R Rear Body Left Side Trim Panel</i>			
4 Mast/Cable	L LNA4134AA	.3	49.85
	L LNA4136AA		19.85
5 Nut, Antenna	L LJA4131AA		4.35
6 Grommet, Sealing	<i>#Included w/Power Antenna Assy</i>		
7 Tube, Antenna Drain	L LJA4133AB		7.05
8 Vent, Pressure	R/L HJA3721AA		25.15

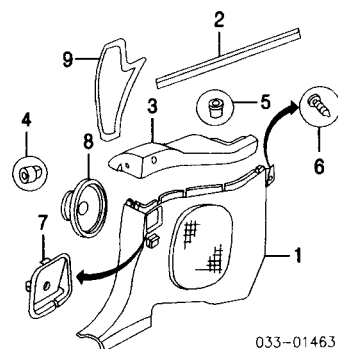
INTERIOR TRIM COUPE



033-01240

1 Panel, Qtr Trim	97-00 R GJA2428AFLEG	#.3	765.00	
	L GJA2429AFLEG	#.3	765.00	
	01-02 R GJE2428BBLEG	#.3	830.00	
	L GJE2429BALEG	#.3	d740.00	
	03-05 R C2N002653LEG	#.3	740.00	
	L C2N002656LEG	#.3	740.00	
<i>#w/Rear Seat Removed</i>				
2 Armrest, Trim Panel	R GJA2438ABLEG	.1	129.80	
	L GJA2439ABLEG	.1	129.80	
	1998			
	To VIN 025635	R GJA2438ABLEG	.1	129.80
		L GJA2439ABLEG	.1	129.80
	From VIN 025636	R GJA2438ABLEG	.1	78.05
		L GJA2439ABLEG	.1	77.75
	1999	R GJA2438ABLEG	.1	78.05
		L GJA2439ABLEG	.1	77.75
	2000-02			
	Classic Level Trim	R GJA2438ABLEG	.1	78.05
		L GJA2439ABLEG	.1	77.75
	Sport Level Trim	R GJD2438AALEG	.1	114.85
		L GJD2439AALEG	.1	114.85
	2003-05	R GJA2438ABLEG	.1	78.05
		L GJA2439ABLEG	.1	77.75
3 Escutcheon, Frt Seat Belt	97-00 R/L GJE2487AALEG		10.25	
	01-05 R/L GJE2487AALEG		10.25	
4 Escutcheon, Rear Seat Belt	R/L GJA2489ACLEG		10.50	
5 Hook, Coat	97-02 R/L BEC023321LEG	.1	17.25	
	03-05 R/L C2N001826LEG	.1	7.15	
6 Tray, Rear Shelf	HJD1200AALEG	#1.8	201.90	
	w/Child Restraint System	HJA1200BBLEG	#1.8	219.40
	w/o Child Restraint System	<i>#Includes R&I/R&R Rear Seat, Quarter Trim & Radio Speakers</i>		
7 Cover, Shelf Blanking	HJA1212CDLEG	.1	74.70	
	w/Speaker Grille	HJA1240ABLEG	.1	45.75
	w/o Speaker Grille	<i>#Charcoal listed, Order by Application</i>		
8 Speaker, Rear Shelf	LJD4144BA		213.75	
	Harman/Kardon System	LJD4140BA	#.1	60.25
9 Speaker, Qtr Panel	R/L LJD4140BA	#.1	60.25	
<i>#w/Rear Shelf Tray Removed</i>				
10 Grille, Side Speaker	R GJA2448ABLEG	.1	52.30	
	L GJA2449ABLEG	.1	52.30	
<i>#Charcoal listed, Order by Application</i>				
11 Insert, Pocket	R GJA2494AA		51.25	
	L GJA2495AA		42.50	

INTERIOR TRIM CONV



033-01463

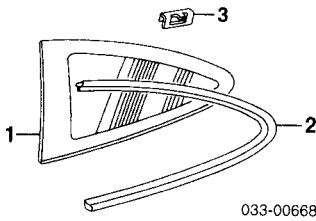
1 Panel, Lwr Qtr Trim	1997			
	To VIN 016418	R GJA2428CFLEG	#.3	765.00
		L GJA2429CFLEG	#.3	765.00
	From VIN 016419	R GJE2428CBLEG	#.3	875.00
		L GJE2429CBLEG	#.3	875.00
	1998-05	R GJE2428CBLEG	#.3	875.00
		L GJE2429CBLEG	#.3	875.00
<i>#Charcoal listed, Order by Application</i>				
<i>#w/Rear Seat & Upper Trim Panel Removed</i>				
2 Moulding, Inner Belt	R HJA5748CD		74.95	
	L HJA5749CD		74.95	
3 Panel, Upper Trim	97-00 R GJA2496ACLEG	.3	94.50	
	L GJA2497ABLEG	.3	94.50	
	01-05 R GJE2496BBLEG	.3	104.80	
	L GJE2497AALEG	.3	112.30	
<i>#Charcoal listed, Order by Application</i>				
4 Nut, Front Lock	R/L KZR100007		.60	
5 Nut, Rear Lock	R/L KZR100010		.60	
6 Clip, Panel	R/L KTC100010		1.15	
7 Escutcheon, Seat Belt	R/L GJA2487BALEG		10.50	
<i>#Charcoal listed, Order by Application</i>				
8 Speaker, Radio	97-99 R LJB4150BA	#.2	274.00	
	L LJB4151BA	#.2	274.00	
	00-05 R LJD4150BA	#.2	172.55	
	L LJD4151BA	#.2	172.55	
<i>#w/Upper & Lower Quarter Trim Removed</i>				
9 Shield, Moisture	1997	R HJA8134BE		34.40
		L HJA8135BE		34.40
	1998			
	To VIN 027935	R HJA8134BE		34.40
		L HJA8135BE		34.40
	From VIN 027936	R HJB8134AA		35.65
		L HJB8135AB		22.80
	1999-02	R HJB8134AA		35.65
		L HJB8135AB		22.80
	2003			

To VIN A33926	R HJB8134AA	35.65
	L HJB8135AB	22.80
From VIN A33927	R HJB8134AB	22.80
	L HJB8135AB	22.80
2004-05	R HJB8134AB	22.80
	L HJB8135AB	22.80

QUARTER GLASS

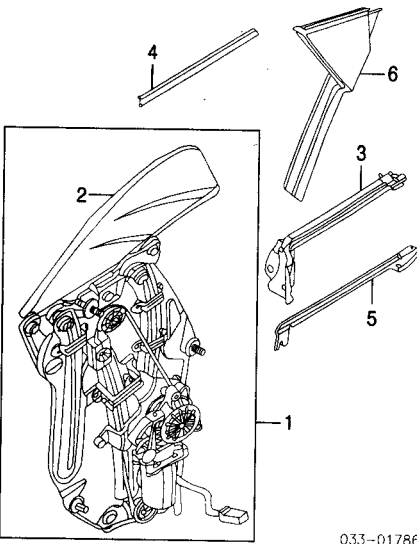
COUPE

R&I Quarter Glass.....R/L #2.2
 #Includes Clean Up Old Adhesive as Necessary



1 Glass, Quarter Jaguar (Tint)	R GJA2200BG	#2.0	178.20
	L GJA2201BG	#2.0	178.20
NAGS	R/L FQ20148-9GTY	#2.0	0.00
#Includes Clean Up Old Adhesive as Necessary			
2 Moulding, Reveal	97-03 R GJA2230AF	.5	200.35
	L GJA2231AF	.5	200.35
	04-05 R/L C2N002774-5	.5	165.85
3 Clip, Spring (5/Side)	R/L JZE100050		1.15

CONV



1 Glass/Regulator Assy Jaguar	R GJE2242AE	#3.8	650.00
	L GJE2243AE	#3.8	650.00
NAGS	R/L FQ20178-9GTN	#3.8	1698.00
#Includes R&I/R&R Upper & Lower Trim Panels & Rear Seat, Deduct 1.0 w/Convertible Top Removed			
2 Seal, Quarter Glass	R GJA2248BD	66.70	
	L GJA2249BD	66.70	
#Included w/Glass/Regulator Assy			
3 Moulding, Inner Belt-See Quarter Panel Section	R HJA5762AB	17.25	
	L HJA5763AB	17.25	
4 Moulding, Outer Belt-See Quarter Panel Section	R HJA8136BA	14.70	
	L HJA8137BA	14.70	

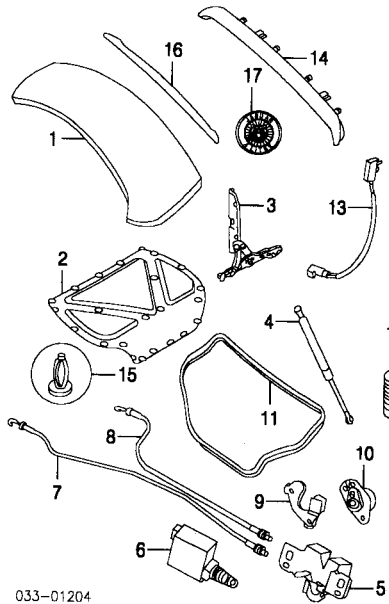
LUGGAGE LID

Use Procedure Explanations 24 and 28 with the following text.

SHEET METAL

Refinish Luggage Lid Outside	2.2
Add for Underside	1.1
Refinish License Lamp Cover	.5
Refinish Hinge	.2
Refinish Spoiler	.8
R&I Luggage Lid	
Coupe	.8
Conv	#1.0
#Includes R&I/R&R High Mount Stop Lamp	
Add to R&R Luggage Lid To Drill for Installation of Spoiler	.4

To Transfer Spoiler.....3



1 Lid, Luggage Coupe	97-99 FJE3019HA	2.0	d645.00
	00-05 FJE3019AA	2.0	d610.00
Conv	97-99 FJE3019HA	#2.2	d645.00
	00-02 FJE3019JA	#2.2	d645.00
	03-05 FJE3019BA	#2.2	725.00
#Includes R&I/R&R High Mount Stop Lamp			

2 Liner, Trunk Coupe	97-02 GJA3616AG	.3	152.20
	03-05 GJA3616AK	.3	121.80
Conv	97-02 GJA3616BG	.3	152.20
	03-05 GJA3616BJ	.3	129.00
3 Hinge, Lid	R FJA3026AE	#4	213.75
	L FJA3027AE	#4	213.75

4 Strut, Support Coupe	R/L GJA3800BB	#2	81.40
Conv	R/L GJA3800AB	#2	81.40
#Included in R&I/R&R Lid Hinge			

5 Latch w/Safety Release	GJE3500BB	.3	28.40
w/o Safety Release	GJE3500AA	.3	d30.45
1997	BDC007550	#3	127.75
1998			
To VIN 018854	BDC007550	#3	127.75
From VIN 018855	GNC3535AA	#3	94.50
1999-05	GNC3535AA	#3	94.50

7 Cable, Latch Actuator	GJA3482BA		26.50
8 Cable, Latch Release	GJA3487AB		12.20
9 Brkt, Latch	GJA3518AC		13.50
10 Cylinder, Lid Lock (a)	HNA7211AA	#3	92.70
(a) Included w/Complete Lock Set-listed in Steering Wheel/Column Section			

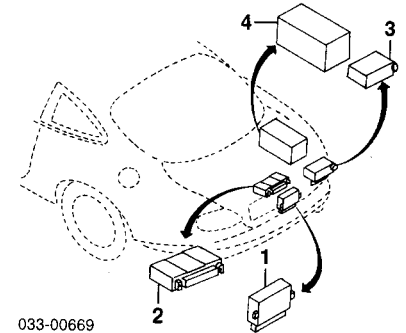
11 Weatherstrip, Lid Coupe	HJA5372AD	.5	72.10
Conv	HJA5372BD	.5	72.10
12 Bumper, Lid	R/L C2S024715		13.85
13 Switch, Trunk Open	LNC6242AC		31.90
14 Cover, License Lamp	JLM020286	.4	97.35
2003-05			
XK8	C2N001737	.4	152.95
XKR (P)	C2N001907XXX	.4	157.60
(P) Paint to Match			
15 Retainer, Trunk Liner (16)	AGU002530		1.25
16 Spoiler (P)	00-03 HJB6160ABXXX	.4	435.00
	04 C2N003406XXX	.4	461.00
	05 C2N003406XXX	.4	461.00

17 Emblem, Jaguar (Adhesive)			
1998-02			
XK8	HJB5985BD	.2	51.15
XKR	HJB5985AD	.2	48.25
2003-05	N.A.	.2	0.00

ELECTRICAL COMPONENTS

Illustration Located in Next Column

1 Module, Adaptive Damping	LJA1970AC	.3	371.00
2 Module, Locking	LJA2600AH6	.3	466.00
#Order by Application			
3 Box, Trunk Fuse	97 LJA2822BF	1.0	146.00



033-00669

98-00 LJB2822DB	1.0	146.00
01-02 LJE2822BA	1.0	143.45
03-05 LJG2822BB	1.0	133.40

4 Battery-See Electrical Section

REAR SUSPENSION

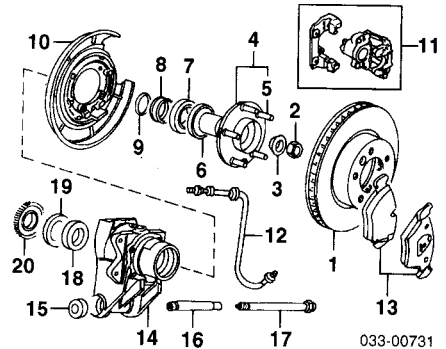
Use Procedure Explanation 23 with the following text.

R&I Suspension/Sub-Frame Assy	m	3.7
R&I Suspension (One Side)	R/Lm	2.6
R&R Brake Rotor	R/Lm	#9
#R&R Both Sides 1.6		
R&R Coil Spring	R/Lm	#1.6
#w/Hub Carrier (Knuckle) Removed Deduct .5		
O/H Suspension (Includes R&I) One Side	R/Lm	6.0
Both Sides		10.0
Adjust Four Wheel Alignment	m	2.2
Bleed Brake System	m	.4

NOTE 1: R&I/R&R or O/H Does Not include alignment or bleed brake system.

NOTE 2: Refer to Special Cautions Section at the beginning of this vehicle text.

NOTE 3: All Parts in this section are included in overhaul unless noted otherwise.



033-00731

1 Rotor Set, Brake	JLM020342	m	#	198.80
1997-99				
2000-02				
w/Perf Pkg	JLM021748	m	#	640.00
w/o Perf Pkg	JLM020342	m	#	198.80
2003				
XK8	C2N002360	m	#	565.00
XKR	JLM021748	m	#	640.00
2004-05				
w/Brembo Brakes				
Ventilated Rotors	JLM021748	m	#	640.00
Non-Ventilated Rotors	C2N002360	m	#	565.00
w/o Brembo Brakes	JLM020342	m	#	198.80
#Set of 2				

2 Nut, Hub	R/L JZ100035	m		9.65
3 Collar, Hub	R/L CBC006652	m		6.15
4 Hub Assy, Wheel				
1997-99	R/L MNA3337AA	m	#2.3	231.25
2000				
To VIN A07078	R/L MNA3337AA	m	#2.3	231.25
From VIN A07079	R/L MNE3337AB	m	#2.3	232.30
2001-05	R/L MNE3337AB	m	#2.3	232.30

#Includes R&R Rotor & Outer Seal				
5 Stud, Wheel (a) (5/Side)	R/L JZB100064	m		2.25
(a) Included w/Wheel Hub Assy				
6 Seal, Outer	R/L CCC004466	m	#2.3	10.90
#Included in R&R Hub				
7 Bearing, Outer	R/L CAC006333	m	#3.0	23.65
8 Spacer, Bearing	R/L CBC008207	m	#3.0	10.90
9 Shim, Hub (b) (c)	CBC0095051	m	#	12.05
(c) As Required				
#Included in R&R Hub Carrier				
10 Shield, Splash (b)				

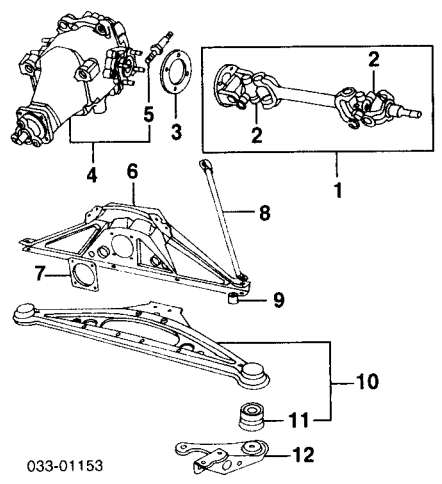
JAGUAR XK8/XKR 1997-05

REAR SUSPENSION Cont'd

1997-02 w/Perf Pkg w/o Perf Pkg 2003-05	R/L JLM021285-6 R/L JLM012338-9 R MXD2788AA L MXD2789AA	m #2 m #2 m #2 m #2	0.00 176.65 222.50 219.90
#w/Hub Removed			
11 Caliper, Brake (b)			
1997-99 2000-02 w/Perf Pkg w/o Perf Pkg 2003 XK8	R/L JLM020232-3 R/L JLM021317-8 R/L JLM020232-3 R MXD2712CA L MXD2713CA	m #8 m #8 m #8 m #8 m #8	685.00 d770.00 685.00 800.00 800.00
XKR 2004-05 XK8	R/L C2N002146-7 R MXD2712CA L MXD2713CA	m #8 m #8 m #8	615.00 800.00 800.00
w/Brembo Brakes XKR w/Pad w/o Pad	R/L JLM020232-3 R/L JLM020232-3 R/L C2N002349-50 R/L C2N002146-7	m #8 m #8 m #8 m #8	685.00 685.00 610.00 615.00
(b) Order by Application #w/Rotor Removed Deduct .5			
12 Hose, Brake			
1997-99 2000-02 w/Perf Pkg w/o Perf Pkg 2003-05	R/L MJA5670BB R/L C2N003108 R/L MJA5670BB R/L C2N003108	m #3 m #3 m #3 m #3	44.55 79.85 44.55 79.85
#w/Caliper Removed Deduct .1			
13 Pad Set, Brake (b)			
1997-99 2000-02 w/Perf Pkg w/o Perf Pkg 2003 2004-05 w/Brembo Brakes w/o Brembo Brakes	JLM021220 MXD2750AA JLM021220 MXD2750AA MXD2750AA JLM021220	m #1.6 m #1.6 m #1.6 m #1.6 m #1.6 m #1.6	91.95 345.00 91.95 345.00 345.00 91.95
(b) Order by Application #Deduct .8 for Each Caliper Removed			
14 Carrier, Hub/Knuckle			
w/Perf Pkg w/o Perf Pkg	R MXD3290AA L MXD3291AA 97-02 R MNA3290AA L MNA3291AA 03-05 R MJA3290AA L MJA3291AA	m #3.0 m #3.0 m #3.0 m #3.0 m #3.0 m #3.0	525.00 650.00 565.00 565.00 411.00 411.00
15 Bearing, Carrier (2/Side)	R/L CAC004610	m #3.0	12.85
16 Sleeve, Pivot	R/L MNE4520AA	m #3.0	23.30
17 Pin, Pivot	R/L JZB100047	m #3.0	19.35
18 Bearing, Inner	R/L JLM021053	m #3.0	25.15
19 Seal, Inner	R/L CBC001706	m #3.0	6.25
20 Rotor, Rear ABS Sensor	R/L CBC004705	m #3.0	59.75
#R&R One Side Complete, includes R&R Rotor, Hub, Seals & Bearings			

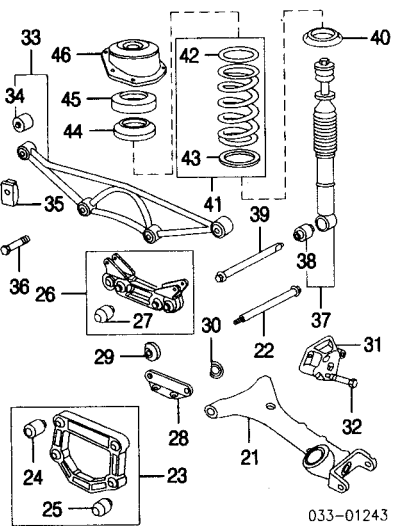
To VIN 028541 From VIN 028542 1999-05	MJA2617AA MNC2617BA MNC2617BA	m m m	11.10 7.70 7.70
29 Spacer, Front Mtg	97-99 R/L MNA2885AA	m	11.10
30 Spacer, Rear Mtg	97-99 R/L MNA2885BA	m	11.10
31 Bumper, Jounce	R/L MJA3750AB	m	33.15
32 Bolt, Mtg (2/Side)	R/L JZS100167	m	.80
33 Strut Assy, Axle	MJA3713AD	m #2.5	141.90
#w/Necessary Bolted Parts Removed, Not Included in O/H			
34 Bushing, Mtg (f) (2/Side)	R/L MJA3715AB2	m	16.70
(f) Included w/Axle Strut Assy			
35 Nut, Spring	R/L JZM100015	m	5.25
36 Bolt, Mtg	R/L FB112131	m	2.35
37 Absorber Assy, Shock			
w/Adaptive Damping Cont Susp w/Perf Pkg	97-02 R/L MXD3540AA 03-05 R/L MXD3540AB 97-02 R/L MJB3540EB 03-05 R/L MJB3540EC	m #1.6 m #1.6 m #1.6 m #1.6	d227.50 411.00 350.00 346.00
w/o Perf Pkg	R/L MJA3540DE	m #1.6	233.30
w/o Adaptive Damping Cont Susp	R/L CCC006782	m #1.6	82.40
38 Bushing, Lower Shock (g)	R/L CCC006782	m #1.6	82.40
(g) Included w/Shock Absorber Assy			
39 Bolt, Lower Shock	R/L JZB100036	m #1.6	6.65
40 Seat, Lower Spring	R/L CCC007350	m #1.6	4.05
#R&R One Side Complete, includes R&R Coil Spring, w/Hub Carrier (Knuckle) Removed Deduct .5			
41 Spring Assy, Coil (h)	JLM012342	m #	296.00
1997-99 2000-05 w/Adaptive Damping Cont Susp Coupe w/Perf Pkg w/o Perf Pkg Conv w/o Adaptive Damping Cont Susp (h) Set of 2	JLM012342 JLM021278 JLM020589 JLM020190 JLM012342	m # m # m # m # m #	296.00 0.00 252.00 207.50 296.00
#See Headnotes for Labor Time			
42 Spacer, Upper Spring (i)	R/L MNA3562BA	m #1.6	6.65
43 Spacer, Lower Spring (j)	R/L MNA3562AA	m #1.6	3.60
(i) Included w/Coil Spring Assy			
44 Collar, Upper Seat	R/L MMD3563AA	m #1.6	29.85
45 Isolator, Upper	R/L MMD3565AA	m #1.6	28.40
46 Plate, Upper Mount	97-05 R/L MNC3470AA	m #1.6	37.30
98-05 R/L MNC3470AA		m #1.6	25.85
#R&R One Side Complete, Included in R&R Shock Absorber Assy, Includes R&R Coil Spring, w/Hub Carrier Knuckle Removed Deduct .5			

4 Differential Assy (a)	C2N002582	m #3.7	1550.00
(a) Order by Application #Includes R&R Axle Shaft Assemblies, Sub-Frame & Upper Mtg Bracket			
5 Stud, Mounting (c)	R/L JLM020322	m	27.00
1997 1998 To VIN 028541 From VIN 028542 1999-05	R/L JLM020322 R/L NNC5715AA R/L NNC5715AA	m m m	27.00 47.65 47.65
(c) Included w/Differential Assy			
6 Bracket, Upper Mtg	97-02 MJA2622AA 03-05 C2N001427	m #2.5 m #2.5	37.35 38.25
7 Plate, Support	CAC008226	m #2.5	3.60
8 Link, Upper	R MNC2630AA L MNC2631AA	m #2.5 m #2.5	41.15 41.15
9 Spacer, Outer	R/L CAC009300	m #2.5	15.55
10 Sub-Frame Assy, Rear	97-02 C2N001017 03-05 C2N001017	m #2.5 m #2.5	371.00 371.00
#R&R Complete w/Necessary Bolted Parts Removed, Not Included in O/H			
11 Bushing, Mtg (d)	R/L MJA2595AC	m	42.65
(d) Included w/Rear Sub-Frame Assy			
12 Bracket, Mounting			
Coupe Conv	R MJA3700BA L MJA3701BA R MJA3700AA L MJA3701AA	m m m m	30.55 24.75 24.75 30.55



033-01153			
-----------	--	--	--

47 Bar, Stabilizer			
1997-99 2000-05 w/Perf Pkg w/o Perf Pkg	MJA3500DF MNA3500DA MJA3500DF	m #1.2 m #1.2 m #1.2	236.40 251.00 236.40
48 Link, Stabilizer	R/L MNA3505AE	m #1.2	91.95
49 Bushing, Link (2/Side)	R/L MNA3504AB	m	3.60
50 Washer, Link	R/L WC110061J	m #1.2	.30
51 Nut, Link	R/L NY110041	m #1.2	.65
52 Bushing, Bar			
1997-99 2000-05 w/Perf Pkg w/o Perf Pkg	R/L MJA3502DD R/L CBC004901 R/L MJA3502DD R/L MNA3501AA	m #1.2 m #1.2 m #1.2 m #1.2	7.10 4.50 7.10 29.65
53 Clamp, Bushing			
#R&R Complete, Not Included in O/H			

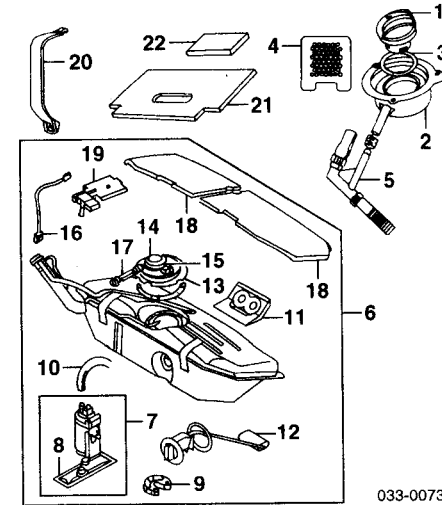


REAR DRIVE AXLE

R&I Axle Shaft Assy	R/Lm	#3	
#w/Necessary Suspension Components Removed			
<i>Illustration Located in Next Column</i>			
1 Shaft Assy, Axle	97-99 R/L 00-05 R/L	CBC002268 MNE3240AB	m #3 m #3
#w/Necessary Suspension Components Removed			
2 U-Joint, Shaft (2/Side)	1997-99 2000-05-Serviced w/Axle Shaft Assy *Included w/Axle Shaft Assy	R/L JLM001388	m #8 m #8
#w/Axle Shaft Assy Removed			
3 Spacer, Axle (a) (b)		CBC00480635	m
(b) As Required			

FUEL TANK

R&I Fuel Tank			
Coupe			2.0
Conv			2.2
NOTE: R&R Does Not include drain and refill.			
1 Cap, Fuel Filler	97-00 01-03 04-05	NJD5942BB NNG5942AG NJD5942AF	23.35 20.50 21.35
2 Seal, Filler	97-00 01-03 04-05	HJE3107AD HJE3107AC HJE3107AD	27.85 31.85 27.85
3 Spring		HNA3106AA	2.00
4 Filter, Filler Drain		HJA3099AA	4.05
5 Tube, Filler Drain		HJA3098AD	11.10
6 Tank Assy, Fuel			



JAGUAR XK8/XKR 1997-05

REAR BODY Cont'd

INTERIOR TRIM Cont'd

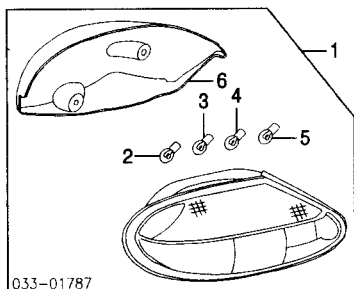
Coupe	97-01	GJA3613AL	.4	110.75
	02-05	GJE3613AC	.4	106.00
Conv		GJE3613AC	.4	106.00
9 Cover, Battery (b)	97-98	GJA3620AG	.3	109.70
	99-05	GJC3620AB	.3	115.75
10 Carpet, Trunk Floor (b) w/Space Saver Wheel	97-98	GJA3618AH	.2	179.25
	99-05	GJC3618AD	.2	119.75
w/o Space Saver Wheel	97-98	GJA3618BG	.2	165.85
	99-05	GJC3618BA	.2	99.95
11 Panel, Front Carpet (b) Coupe	97-98	GJA3610AL	.3	93.25
	99-02	GJC3610AC	.3	227.15
	03-05	C2N002736	.3	112.30
Conv	97-98	GJC3610BB	.3	90.40
	99-02	GJC3610BB	.3	90.40
	03-05	C2N003401	.3	90.25
12 Support, Trunk Floor (b) (4)	97-02	GJA3622AC		2.60
	03-05	GJA3622AD		2.60

(b) Order by Application

REAR LAMPS

COMBINATION LAMP

R&L Combination Lamp Assy R/L .5

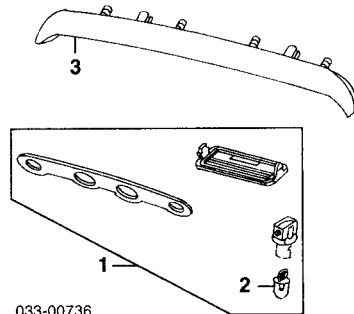


033-01787

1 Lamp Assy, Combination	97-00 R	LJA4900BD	.5	143.70
	L	LJA4901BD	.5	143.70
	01-05 R	LJE4900AB	.5	130.05
	L	LJE4901AB	.5	130.05
2 Bulb, Tail/Stop¶	R/L	LNA5180BA	#.3	5.95
3 Bulb, Signal¶	R/L	C2S015076	#.3	10.00
4 Bulb, Back-Up¶	R/L	DBC011382	#.3	d2.25
5 Bulb, Fog¶	R/L	DBC011382	#.3	d2.25
#R&R One Side Complete				
6 Cover, Lamp¶	R	GJE3668AB	23.75	
	L	GJE3669AB	23.75	

¶Included w/Combination Lamp Assy

LICENSE LAMP



033-00736

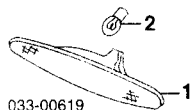
1 Lamp Assy, License	JLM020287	.4	33.35
2 Bulb, License Lamp¶	C2S015074	.3	.70

¶Included w/License Lamp Assy
3 Cover, License Lamp-See Luggage Lid Section

SIDE MARKER LAMP

R&L Side Marker Lamp R/L #.3

#Included in R&R or O/H Rear Bumper

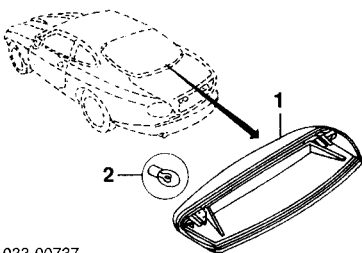


033-00619

1 Lamp, Side Marker	R/L	LJA5034BC	#.3	17.30
2 Bulb, Side Marker	R/L	C2S015074	#.3	.70

#R&R One Side Complete, Included in R&R or O/H Rear Bumper

HIGH MOUNT STOP LAMP COUPE



033-00737

1 Lamp, Stop¶ (a)	LJB5000ACLEG	.4	180.80
To VIN A35139	LJB5000ACLEG	.4	180.80
From VIN A35140			

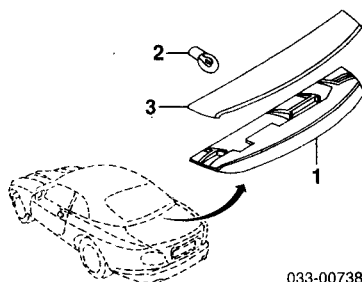
¶Charcoal listed, Order by Application

(a) Mounted on Package Tray

2 Bulb, Stop Lamp (2)	C2S015074	.70	
-----------------------	-----------	-----	--

HIGH MOUNT STOP LAMP CONV

Refinish Lamp Cover5



033-00738

1 Lamp, Stop¶	LJA5001AC	#.4	140.85
1997	LJB5001AD	#.4	166.35
To VIN 014328	LJB5001AD	#.4	166.35
From VIN 014329	LJB5001AE	#.4	158.10
1998-03			
2004-05			
¶Mounted on Luggage Lid			
2 Bulb, Stop Lamp (2)	C2S015074	#.4	.70
3 Cover, Lamp (P)	LJA5003ABXXX	#.4	77.25

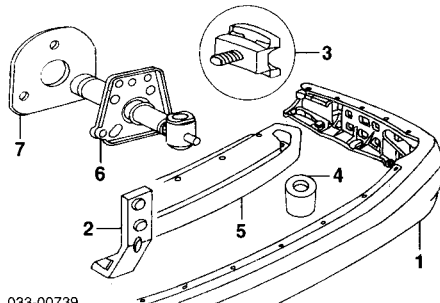
(P) Paint to Match
#R&R Complete

REAR BUMPER

Use Procedure Explanations 27 and 28 with the following text.

Refinish Rear Cover	2.0
R&L Rear Bumper Assy	1.0
O/H Rear Bumper Assy (Includes R&L)	#2.2
#Includes R&L/R&R Side Marker Lamps	
Add to R&R or O/H Rear Cover	
w/Reverse Parking Sensor3

NOTE: All Parts in this section are included in overhaul unless noted otherwise.



033-00739

1 Cover, Rear (P)	HJA6586BBXXX	#2.0	1020.00
1997-00			
2001-03			
w/Reverse Parking Sensor	HJE6586BBXXX	#2.0	1010.00
w/o Reverse Parking Sensor	HJE6586ACXXX	#2.0	960.00
2004-05			
w/Reverse Parking Sensor	C2N003335XXX	#2.0	1090.00
w/o Reverse Parking Sensor	C2N003334XXX	#2.0	1090.00
(P) Paint to Match			
#Includes R&L/R&R Side Marker Lamps			
2 Strap, Cover Support	R/L HJA6569AA		27.65

3 Guide, Bumper	R/L HJA6554AB	#.1	6.55
#w/Bumper Assy Removed, Not Included in O/H			
4 Spacer, Reinft Bar (4)	HJA6544AA		3.60
5 Bar, Reinft	HJA6580BA	10H	445.00
6 Absorber, Impact	R/L HJE6560AA	#.3	357.00
#w/Bumper Assy Removed, Not Included in O/H			
7 Gskt, Bumper Mtg	R/L HJA6566AB		3.60
Sensor Kit, Parking Aid¶	LJE7354AA		374.00

¶Order by Application