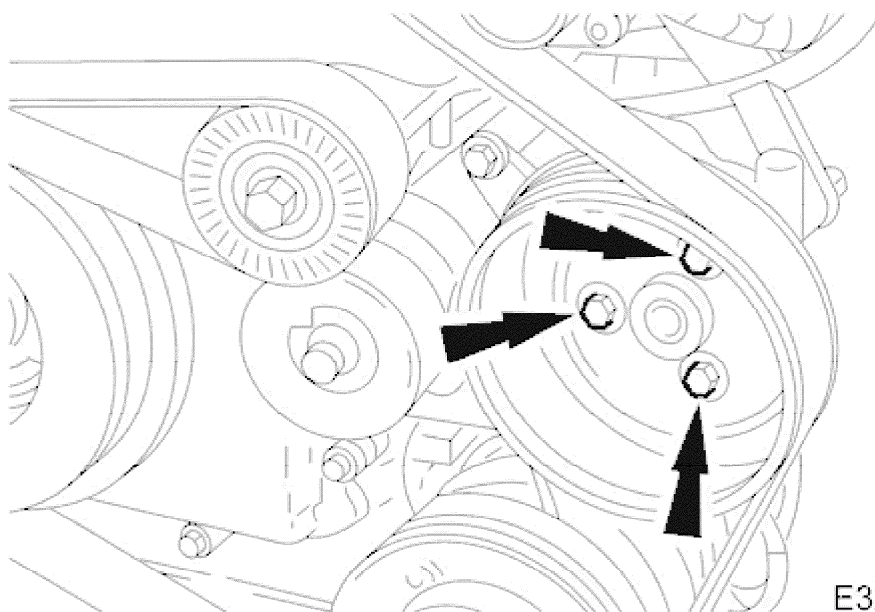


## Power Steering Pump 57.20.14

### Removal

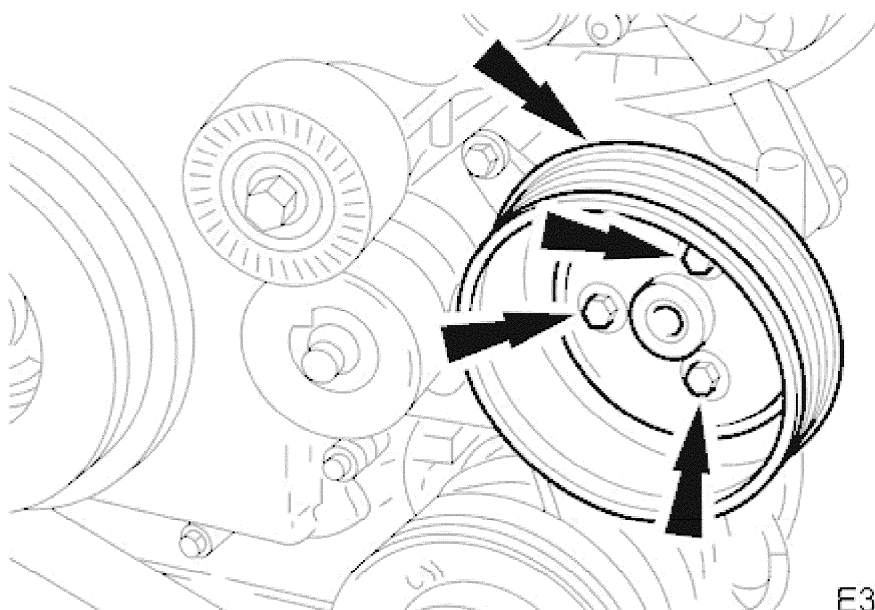
1. Open engine compartment and fit paintwork protection covers.
2. Set engine compartment cover to service access position.
3. Disconnect battery ground cable. Refer to operation <<86.15.19>>.



E32489

4. Loosen, but do not remove bolts which secure drive pulley to power steering pump.

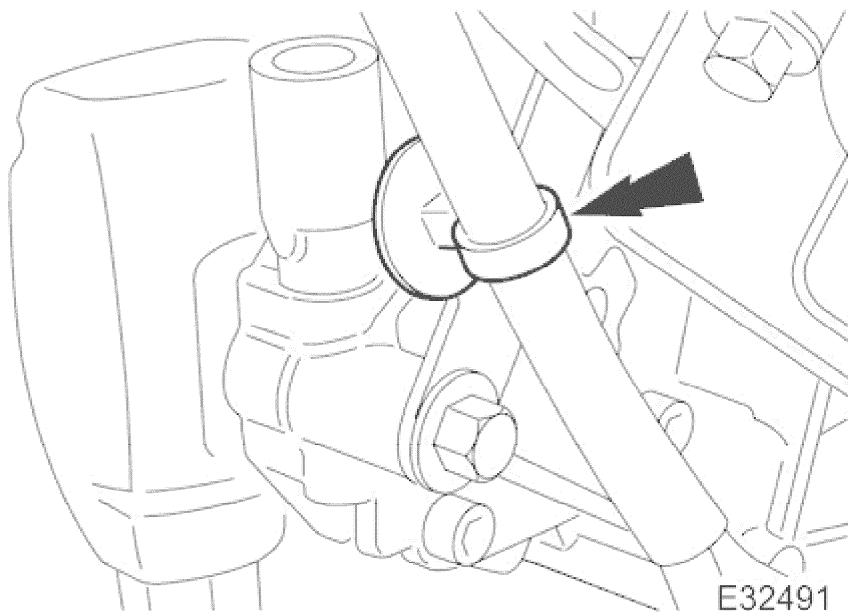
5. Remove front end accessory drive belt. Refer to operation <<12.10.40>>.



E32490

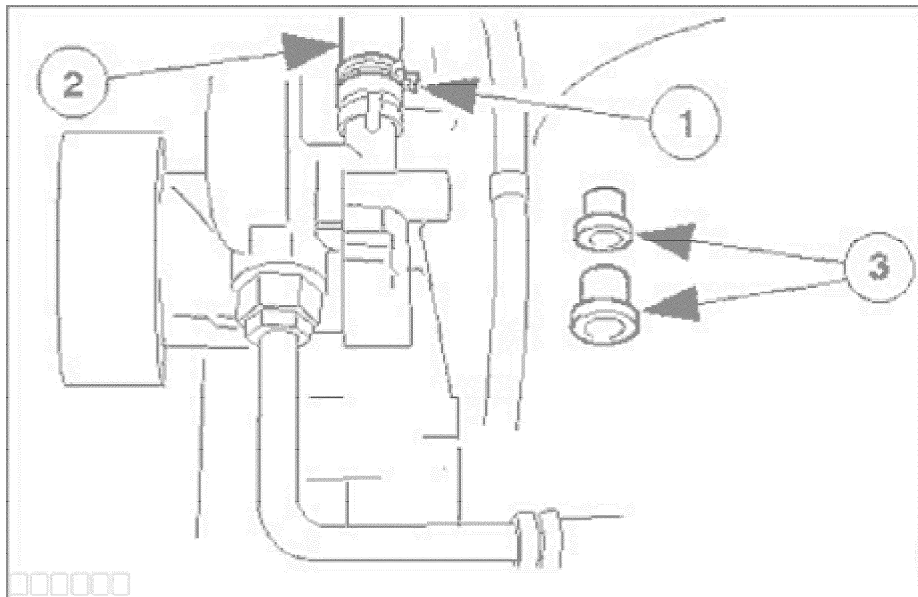
## 2000 XK RANGE - Power Steering - 211-02

6. Remove pulley from power steering pump.
  - Remove bolts.
  - Remove pulley.



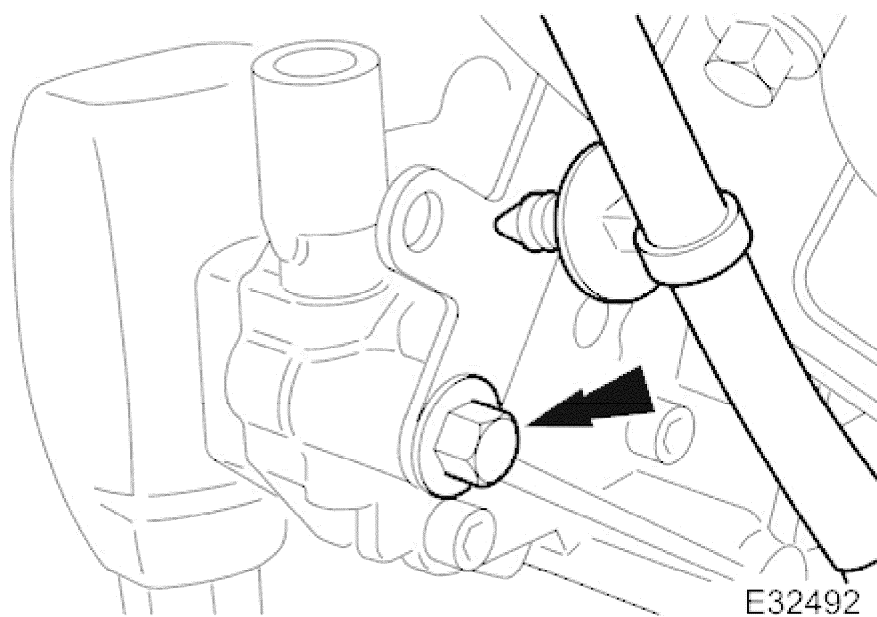
E32491

7. Release harness retaining clip from engine oil dipstick-tube bracket, reposition harness.

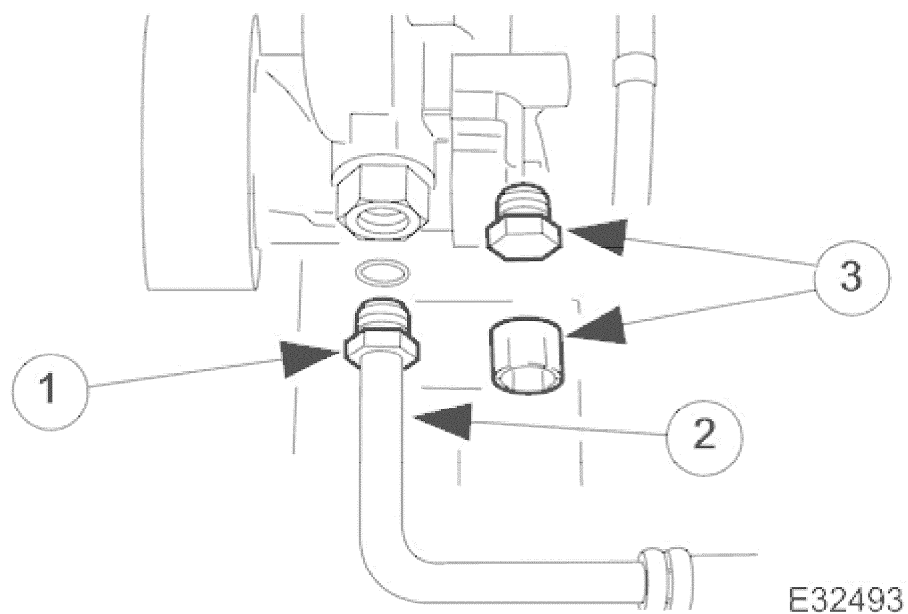


8. Disconnect power steering pump inlet hose and drain the fluid.
  - Place a drain pan under vehicle.
    1. Release clip.
    2. Disconnect hose and drain fluid.
    3. Fit blanking plugs to pump and hose.

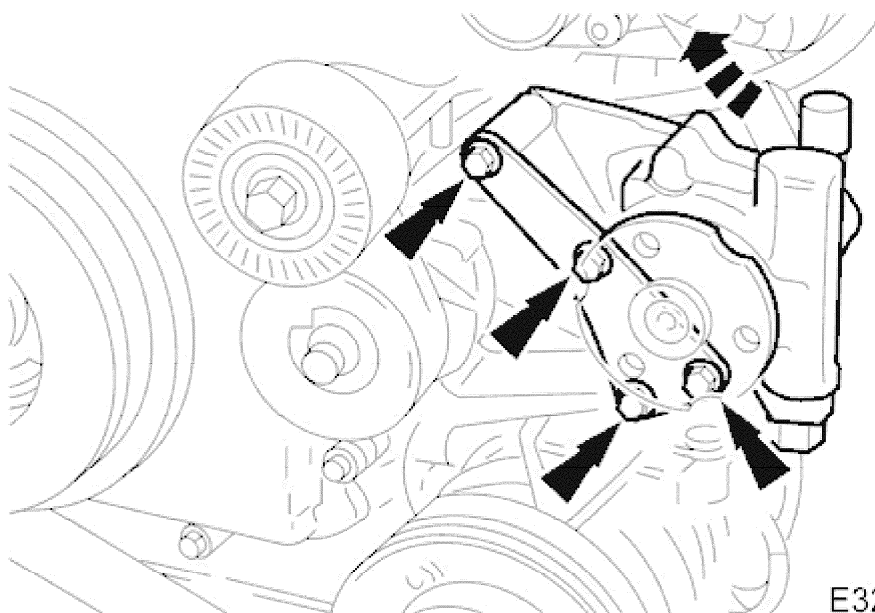
## 2000 XK RANGE - Power Steering - 211-02



9. Remove bolt from dipstick-tube retaining bracket.

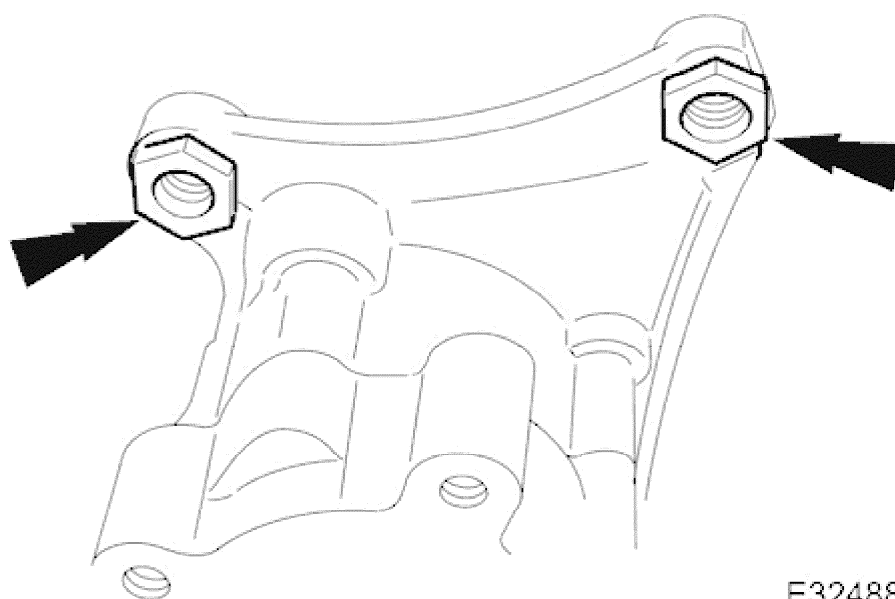


10. Disconnect outlet hose from pump.  
1. Release union nut.  
2. Disconnect hose.  
3. Fit blanking plugs to hose and pump.



E32494

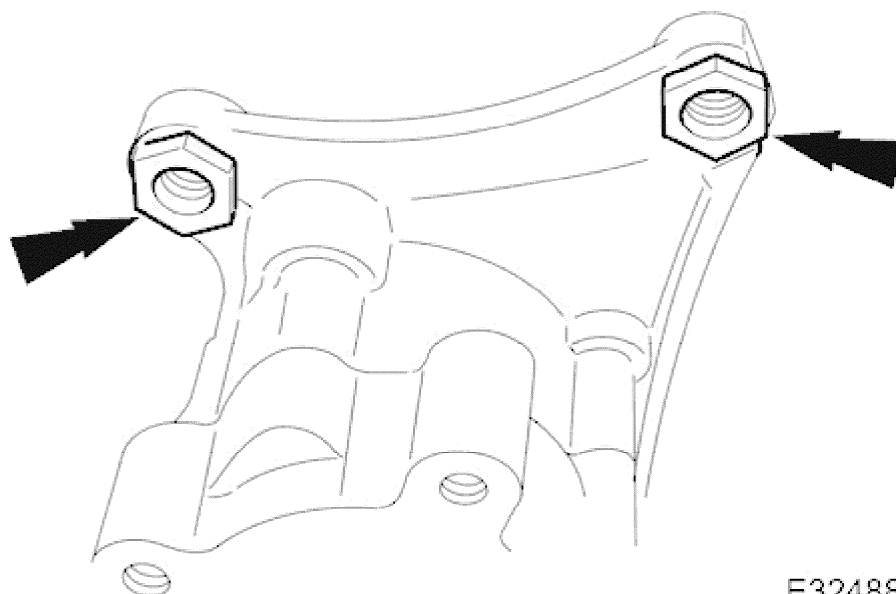
11. Remove power steering pump.
- Remove bolts.
  - Remove pump by moving it forward and upwards.



E32488

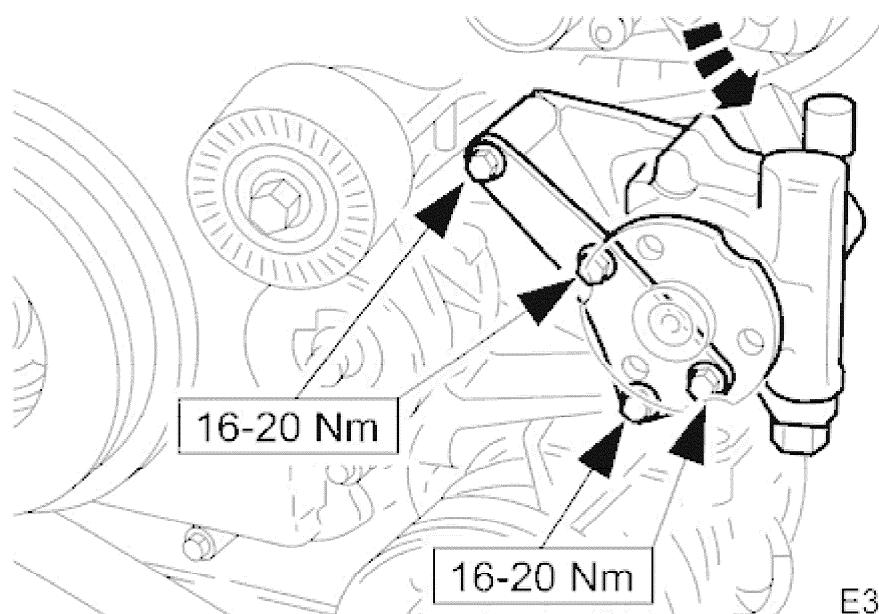
12. Remove fixing nuts from pump body casting.

### Installation



E32488

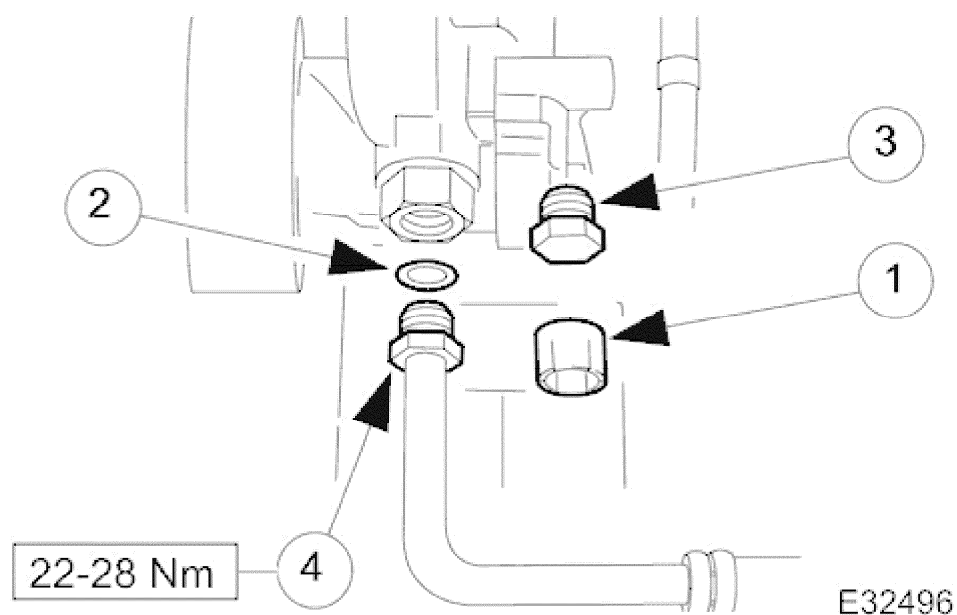
1. Fit fixing nuts to pump body casting.



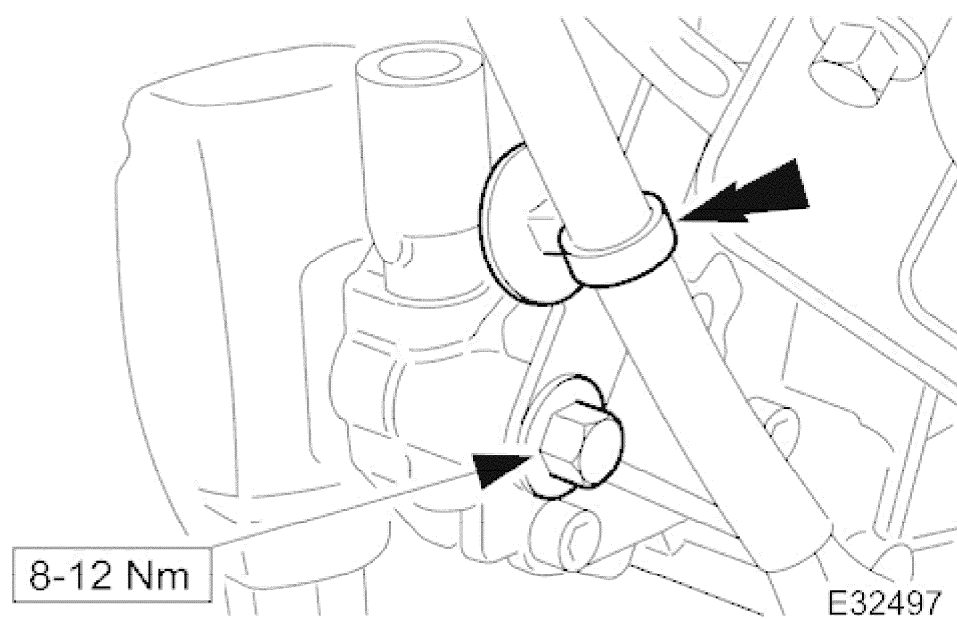
E32495

2. Fit power steering pump.  
• Position pump to engine.  
• Fit and tighten bolts.

## 2000 XK RANGE - Power Steering - 211-02

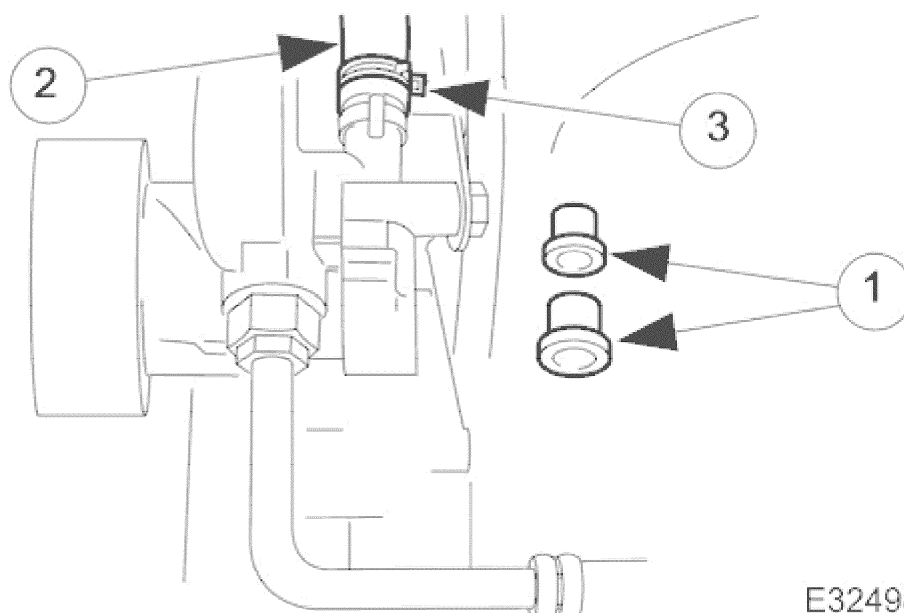


3. Connect outlet hose to pump.
  1. Remove blanking plug from hose.
  2. Remove and discard O-ring seal from hose.
  - Fit a new O-ring seal.
  3. Remove blanking plug from pump.
  4. Connect and tighten hose union nut to pump.

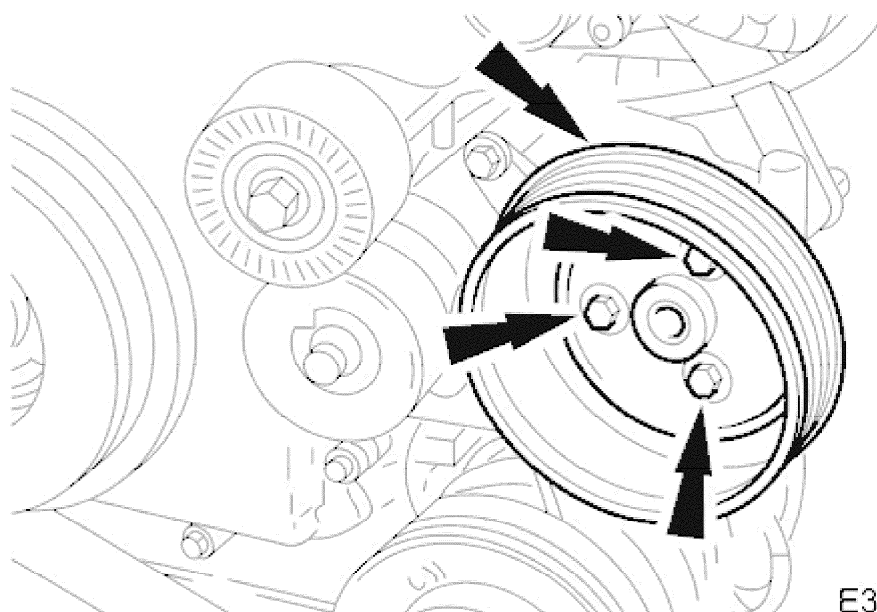


4. Fit and tighten bolt securing dipstick tube to engine.
  - Fit harness clip to dipstick-tube bracket.

## 2000 XK RANGE - Power Steering - 211-02

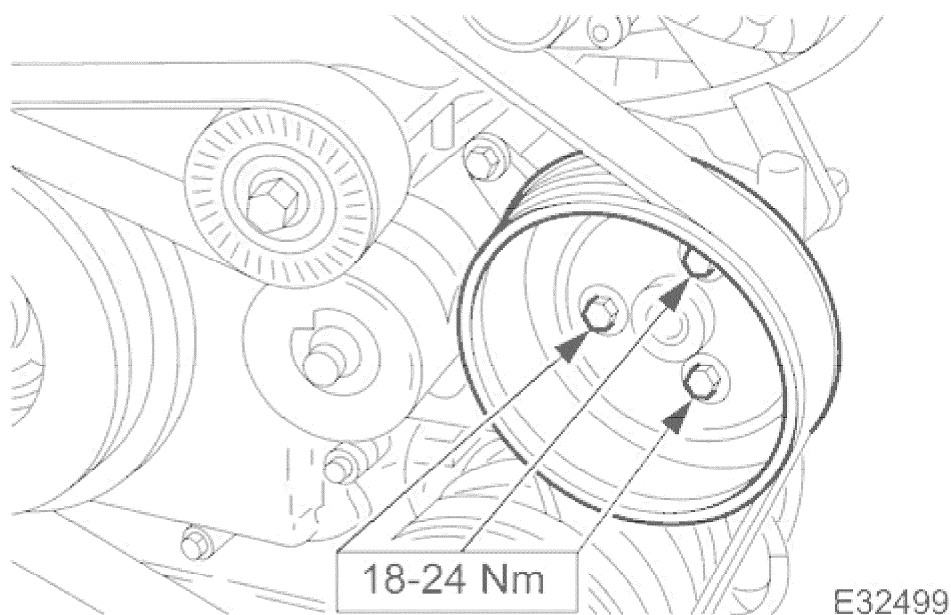


5. Connect inlet hose to pump.
  1. Remove blanking plugs from hose and pump.
  2. Connect hose to pump.
  3. Secure hose with clip.



6. Fit drive pulley to pump.
  - Fit, but do not tighten bolts.
7. Fit front end accessory drive belt. Refer to operation <<12.10.40>>.

## 2000 XK RANGE - Power Steering - 211-02



8. Tighten pulley bolts.

9. Clean any spilt fluid from around pump area.

10. Remove drain pan.

11. Fit a new power steering oil reservoir (combined reservoir and oil filter assembly) and bleed air from system. Refer to operation <<57.15.08>>.

12. Connect battery ground cable. Refer to operation <<86.15.15>>.

13. Remove paintwork protection covers..