

JAGUAR XK8/XKR 1997-05

SECTION INDEX

A/C /HEATER/VENTILATION.....	637
A/C REFRIGERANT CAPACITIES	637
ABS/BRAKES	639
AIR BAG SYSTEM	639
AIR CLEANER	642
BACK WINDOW.....	651
CENTER CONSOLE.....	645
CLEAR COAT IDENTIFICATION	634
CONVERTIBLE TOP.....	651
COOLING.....	635
COWL & DASH.....	645
CRUISE CONTROL SYSTEM	639
ELECTRICAL.....	644
EMISSION SYSTEM.....	643
ENGINE OIL COOLER	637
ENGINE/TRANS	642
ENGINE/TRANS MOUNTS.....	642
EXHAUST	643
FRONT BUMPER	634
FRONT DOOR.....	649
FRONT FENDER.....	637
FRONT INNER STRUCTURE.....	638
FRONT LAMPS.....	634
FRONT SEAT.....	647
FRONT STEERING LINKAGE/GEAR.....	641
FRONT SUSPENSION	640
FUEL TANK.....	654
HOOD.....	635
INFORMATION LABELS.....	634
INSTRUMENT PANEL	645
LUGGAGE LID.....	653
PAINT CODE LOCATION.....	634
QUARTER GLASS.....	653
QUARTER PANEL.....	651
REAR BODY.....	655
REAR BUMPER.....	656
REAR DRIVE AXLE.....	654
REAR LAMPS.....	656
REAR SEAT.....	649
REAR SUSPENSION.....	653
ROCKER/PILLARS/FLOOR.....	646
ROOF.....	651
SEAT BELTS.....	649
SPECIAL CAUTIONS.....	634
STEERING PUMP.....	641
STEERING WHEEL/COLUMN.....	641
SUPERCHARGER/INTERCOOLER.....	643
UNDERHOOD DIMENSIONS.....	638
WHEEL.....	639
WINDSHIELD.....	644

SPECIAL CAUTIONS

SUPPLEMENTAL RESTRAINT SYSTEM

Refer to Procedure Explanation 29 for Supplemental Restraint/Air Bag Special Cautions.

ELECTRICAL COMPONENTS

Ignition must be in off position before any electrical repair is performed.

SUSPENSION

Manufacturer advises that some new fasteners must be used whenever old fasteners are loosened or removed.

WELDING

Before initiating any repair involving the use of an electric welder, the ignition must be in the off position and both battery terminals disconnected.

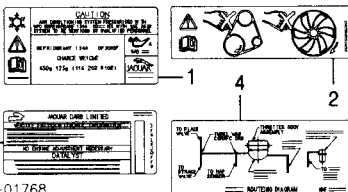
PAINT CODE LOCATION

Paint code located on left door jamb.

CLEAR COAT IDENTIFICATION

All colors are clear coat.

INFORMATION LABELS



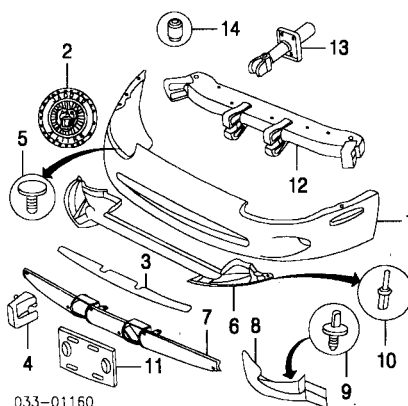
1 Label, A/C Warning	MJA7702AC	2.55
Label, Air Bag Warning	HJA8923AA	2.90
Label, Battery	LHE1270AA	1.85
2 Label, Coolant		
w/Supercharger	MNF007699BA	0.00
w/o Supercharger	MNF007699AA	0.00
Label, Cooling Fan Warning	XR8047031	1.35
3 Label, Emission System		
w/Supercharger	NXG4744BA	5.40
w/o Supercharger	NXG4744AA	5.40
†Order by Application		
Label, Fuel	BEC009188	2.45
Label, Headlamp Caution		
w/Navigation System	C2C009529	1.80
w/o Navigation System	C2C009528	1.80
Label, Pass Air Bag	GNA2620CA	5.25
Label, Security/Alarm	DBC005965	10.60
4 Label, Vacuum Routing		
w/Supercharger	NNF4744GA	4.80
w/o Supercharger	NXG4744GA	2.75

FRONT BUMPER

Use Procedure Explanations 1 and 28 with the following text.

Refinish Front Cover	2.5
R&I Bumper Assy	#3.2
*Includes R&I Combination Lamp Assemblies, R&I/R&R Valance Panel, Fender Liners & Disconnect Headlamp Washer Assy from Combination Lamp	
O/H Bumper Assy (Includes R&I).....	#4.0
*Includes R&I Combination Lamp Assemblies, R&I/R&R Valance Panel, Fender Liners, Side Markers & Fog Lamps & Disconnect Headlamp Washer Assy from Combination Lamp	

NOTE: All Parts in this section are included in overhaul unless noted otherwise.



033-01160

1 Cover, Front (P)	97-00 HJD6468AAXXX	#3.8	1700.00
	01-03 HJE5468ADXXX	#3.8	1550.00
	04-05 C2N003109XXX	#3.8	1525.00
(P) Paint to Match			
*Includes R&I Combination Lamp Assemblies, R&I/R&R Valance Panel, Fender Liners, Side Markers & Fog Lamps & Disconnect Headlamp Washer Assy from Combination Lamp			
2 Emblem, Cover (Adhesive)			
XK8			
1997-00	HJE5900AA	.2	45.60
2001-02			
w/Silverstone	HXD5900AA	.2	49.95
w/o Silverstone	HJE5900AA	.2	45.60
2003-05	C2N001990	.2	43.10
XKR			
00-02	HXG5900AA	.2	52.05
03-05	C2N001991	.2	43.10
3 Finisher, Bumper (Chrome)	97-00 HJA6451BC	#3	148.10
	01-03 HJE6451AB	#3	139.05
	04-05 C2N002745	#3	131.10
4 Guard, Front			
1997-00	R HJA6504AC	#1	100.70
	L HJA6505AC	#1	100.70
2001-03			
XK8	R HJE6504AC	#1	82.65
	L HJE6505AC	#1	82.65
XKR	R HJE6504BC	#1	82.65
	L HJE6505BC	#1	69.55
2004-05			
XK8	R C2N003295	#1	74.20
	L C2N002750	#1	74.20

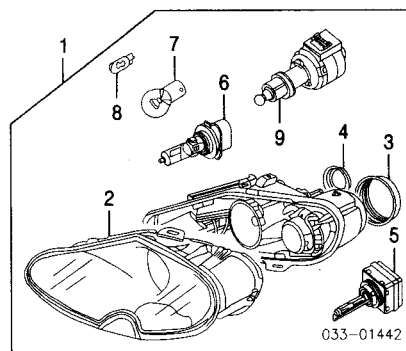
XKR	R C2N003296	#1	74.20
	L C2N002751	#1	69.30
*w/Bumper Assy Removed			
5 Clip, Cover/Guard†	R/L KTC100013		1.30
†As Required			
6 Panel, Valance	97-00 HJE6484AB	#3	89.90
	01-05 C2N002744	#3	94.80
*Included in R&I/R&R or O/H Front Bumper			
7 Mesh, Grille			
XKR	00-03 HJD6545AB	.3	710.00
	04-05 C2N002752	.3	492.00
8 Deflector, Air	R HJA6538AB		76.25
	L HJA6539AB		76.25
9 Rivet, Push (2/Side)	R/L KRB100002		.85
10 Rivet, Screw (4/Side)	R/L KRA106001		1.05
11 Brkt, License	97-03 HJA6458AC	.2	23.30
	04-05 C2N002746	.2	24.10
12 Bar, Reinif	97-00 HJA6460BD	IOH	410.00
	01-05 HJE6460BD	IOH	393.00
13 Absorber, Impact	97-00 R/L HJA6472AC	#2	340.00
	01-05 R/L HJE6472AA	#2	82.95
*w/Cover & Reinif Bar Removed, Not Included in Overhaul			
14 Spacer, Reinif Bar (2)	HJA6544AA		3.60

FRONT LAMPS

COMBINATION LAMP W/HID LAMPS

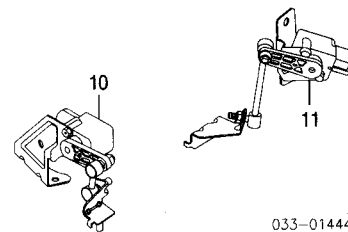
Aim Lamps.....		.4
R&I Lamp Assy (One Side).....	R/L	#1.1
*Includes R&I/R&R Access Panel and Disconnect Fender Liner & Headlamp Washer, Included in R&I/R&R or O/H Front Cover		

NOTE: R&R Does Not include aim lamps.



033-01442

1 Lamp Assy, Combination	R C2N002436	#1.1	875.00
	L C2N002440	#1.1	875.00
*Includes R&I/R&R Access Panel and Disconnect Fender Liner & Headlamp Washer, Included in R&I/R&R or O/H Front Cover			
2 Lens, Combination Lamp†	R/L C2N002468-9	#1.3	196.50
*Includes R&I/R&R Access Panel and Disconnect Fender Liner & Headlamp Washer			
3 Cover, Outer Access Hole†	R/L C2N001722		11.70
4 Cover, Inner Access Hole†	R/L C2N001723		11.70
5 Bulb, High Beam†	R/L C2N001716	#3	116.50
6 Bulb, Low Beam†	R/L C2N001717	#3	21.75
7 Bulb, Signal†	R/L C2S015076	#3	10.00
8 Bulb, Pilot†	R/L C2S015074	#3	.70
*R&R One Side Complete			
9 Motor, Stepper†	R/L C2C007763		113.85
†Included w/Combination Lamp Assy			



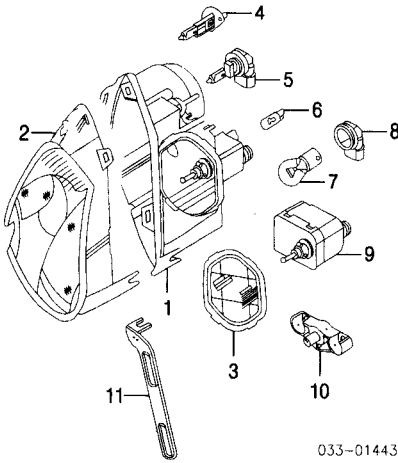
033-01444

10 Sensor, Front Leveling	C2N001617	m	.6	120.00
11 Sensor, Rear Leveling	C2N001616	m	.6	120.00

COMBINATION LAMP W/O HID LAMPS

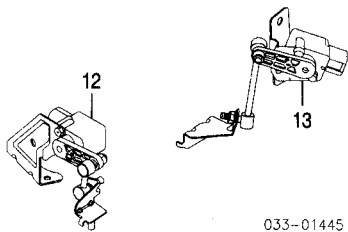
Aim Lamps.....		.4
R&I Lamp Assy (One Side).....	R/L	#1.1
*Includes R&I/R&R Access Panel and Disconnect Fender Liner & Headlamp Washer, Included in R&I/R&R or O/H Front Cover		

NOTE: R&R Does Not include aim lamps.



033-01443

1 Lamp, Combination w/ H/Lamp Washers	97-03 R LJA4512AG L LJA4513AH	#1.1	565.00
	04-05 R LJA4512AH L LJA4513AH	#1.1	565.00
w/o H/Lamp Washers	R LJA4510AH L LJA4511AH	#1.1	565.00
#Includes R&I/R&R Access Panel and Disconnect Fender Liner & Headlamp Washer, Included in R&I/R&R or O/H Front Cover			
2 Lens, Combination Lamp w/ H/Lamp Washers	R LJA4650BA L LJA4651BA	#1.3	190.55
w/o H/Lamp Washers	R LJA4650AA L LJA4651AA	#1.3	190.55
#Includes R&I/R&R Access Panel and Disconnect Fender Liner & Headlamp Washer			
3 Cover, Access	R/L JLM020281		9.00
4 Bulb, High Beam	R/L DBC011406	#.3	7.40
5 Bulb, Low Beam	R/L XR8012420	#.3	14.70
6 Bulb, Pilot	R/L C2S015074	#.3	.70
7 Bulb, Signal	R/L C2S015076	#.3	10.00
#R&R One Side Complete			
8 Socket, Signal Bulb Deflector, Water	R/L JLM020285 R HJA3354AA L HJA3355AA		5.85 36.05 36.05
9 Motor, Stepper	R/L JLM012117		106.90
10 Bracket, Headlamp Mtg	R/L LJA4660AE		12.10
11 Brace, Headlamp Mtg	R LJA4662AD L LJA4663AD		8.65 8.65



033-01445

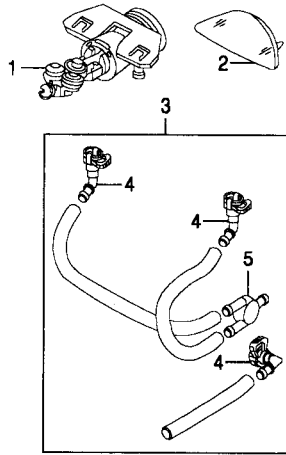
12 Sensor, Fron: Leveling	C2N001617	m	.6	120.00
13 Sensor, Rea: Leveling	C2N001616	m	.6	120.00

HEADLAMP WASHER

R&I Headlamp Washer Assy.....	R/L	#1.3	
#Includes R&I Headlamp Assy			

Illustration Located in Next Column

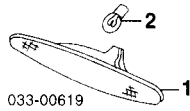
1 Nozzle, Washer	R LJA7050AF L LJA7051AF	#1.5	42.15
2 Cover, Nozzle	R LJA7054FA L LJA7055FA	#1.5	30.15
#R&R One Side Complete, Includes R&I Headlamp Assy			
3 Tube Assy, Washer	LJA7070AE		27.85
4 Connector, Tube(3)	LJA7071AA		13.00
5 Valve, Washer Tube(1)	LNA7072AA		13.05
#Included w/Washer Tube Assy			



033-01156

SIDE MARKER LAMP

R&I Side Marker Lamp.....	R/L	#.3	
#Included in R&R or O/H Bumper Cover			

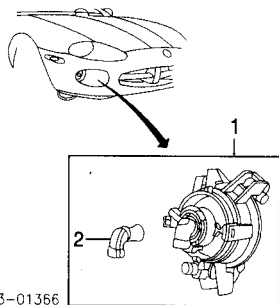


033-00619

1 Lamp, Side Marker	R/L LJA5034AC	#.3	17.30
2 Bulb, Side Marker	R/L C2S015074	#.3	.70
#R&R One Side Complete, Included in R&R or O/H Bumper Cover			

FOG LAMP

R&I Fog Lamp.....	R/L	#.4	
#Included in R&R or O/H Bumper Cover			



033-01366

1 Lamp Assy, Fog	97-00 R LJA5090AC L LJA5091AC	#.4	159.65
	01-05 R LJE5090AC L LJE5091AC	#.4	152.20
#Included in R&R or O/H Bumper Cover			
2 Bulb, Fog Lamp(1)	R/L DBC011406	#.2	7.40
#Included w/Fog Lamp Assy			

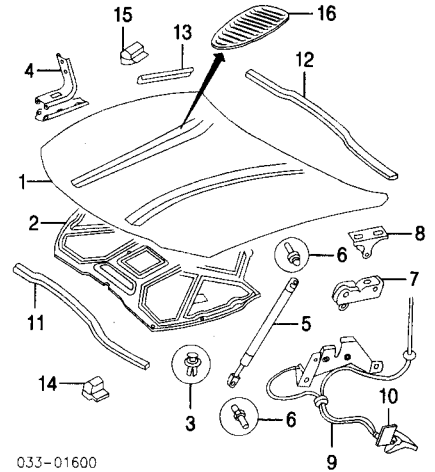
HOOD

Use Procedure Explanations 4 and 28 with the following text.

Refinish Hood Outside.....		3.0
Add for Underside.....		1.5
Refinish Hinge.....	R/L	.2
Refinish Hood Grille.....	R/L	.4
R&I Hood Assy.....		.6

Illustration Located in Next Column

1 Panel, Hood XK8	FJB3005AA	#1.8	990.00
#Includes R&I/R&R Seals, Latch Strikers, Hood Bumpers & Insulator			
XKR	FJB3005FA	#2.1	990.00
#Includes R&I/R&R Hood Grilles, Seals, Latch Strikers, Hood Bumpers & Insulator			
2 Insulator, Hood XK8	HJB2640AF	.5	164.30
XKR	C2N002616	.5	164.30



033-01600

3 Retainer, Insulator (12)	KRS113130		.95
4 Hinge, Hood	R FJA3010AD L FJA3011AD	#.3	56.15
#w/Hood Removed			
5 Strut, Support	R/L HJA2500AB	.2	25.90
6 Pin, Strut Ball (2/Side)	R/L BCC003664		4.30
7 Latch, Hood	R HJA2402BA L HJA2402AB	.4	24.20
8 Striker, Latch	R/L HJA2402AB	.2	74.45
9 Cable, Release To VIN A34386	HJA2541AD	1.0	26.95
From VIN A34387	HJA2541AE	1.0	19.80
10 Lever, Release Cable	HNC2561AC	.3	18.20
11 Seal, Front	HJF5240AA	.2	28.75
12 Seal, Rear Hood-See Cowl & Dash Section			
13 Seal, Side	R/L HJA5244AD	.1	11.95
14 Bumper, Front Hood	R/L HJA2431AB	.1	5.00
15 Bumper, Rear Hood	R/L HJA2431BA	.1	5.00
16 Grille, Hood (P) XKR	R HJB6370ABXXX L HJB6371AAXXX	.3	219.90
		.3	224.55

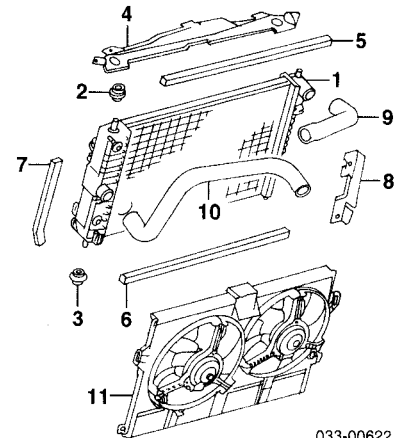
(P) Paint to Match

COOLING

Use Procedure Explanations 5 and 28 with the following text.

1997-02

R&I Radiator.....		3.1
-------------------	--	-----

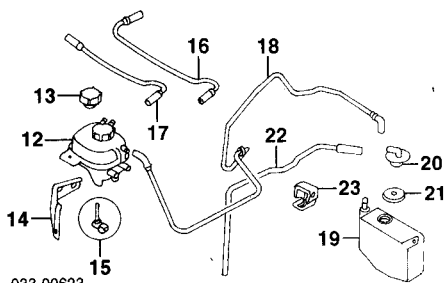


033-00622

1 Radiator XK8	MJA4190AF	3.1	740.00
XKR	MJB4190BC	3.1	630.00
2 Cushion, Upper Mtg	R/L MJA4243AB		7.40
3 Cushion, Lower Mtg	R/L MJA4242CB		7.40
4 Panel, Upper Mtg	MJA4180AD		79.60
5 Seal, Upper Rad	MJA4212AA		30.55
6 Seal, Lower Rad	MJA4212AA		30.55
7 Seal, Side Rad	R MJA4210AA L MJA4211AA		36.30 36.30
8 Plate, Sealing XK8	MJA4214AB		7.95
XKR	MJB4214BA		7.80
9 Hose, Upper Rad	MJA4500AE	.7	40.35
10 Hose, Lower Rad	MJA4515AD	.9	88.85
11 Fan & Motor, Electric XK8	MJB4270AB	#3.1	493.00
XKR	MJB4270BC	#3.1	463.00
#Included in R&I/R&R Radiator			

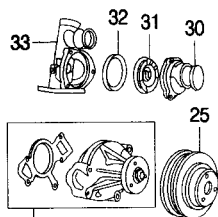
COOLING Cont'd

1997-02 Cont'd



033-00623

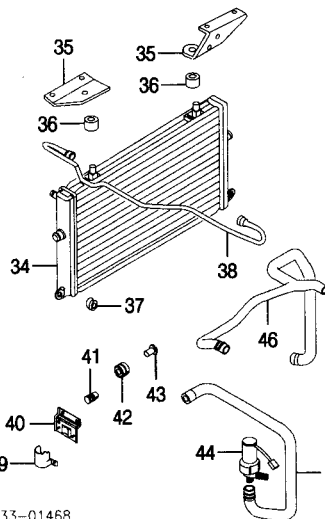
12 Reservoir, Coolant			
XK8	MJD4400AB	.5	148.10
XKR	MJD4400BA	.5	154.50
13 Cap, Reservoir	MJA4440BA		14.65
14 Brkt, Reservoir Mounting			
XK8			
Front	MJB4452AA		8.85
Rear	MJA4453AB		10.50
XKR			
Front	MJB4452BA		4.50
Rear	MJB4453BA		4.05
15 Sensor, Fluid Level	LNA5740AB	#.5	44.80
#Included in R&R Coolant Reservoir			
16 Hose, Bleed			
XK8	MJA4560BE	.3	14.95
XKR	MJB4582BB	.3	15.15
17 Hose, Reservoir	MJA4560DB	.3	14.55
18 Pipe, Reservoir			
XK8	MJA4468AF		21.35
XKR	MJB4468BB		23.75
19 Tank, Recovery	MJA4460AD	.5	34.50
20 Cap, Tank	MJA4466AA		13.50
21 Seal, Cap	MJA4467AA		4.05
22 Hose, Drain	MJA4480AD		12.00
23 Clip (4)	KDF110004		.95



033-01227

24 Pump, Water	AJ8008912	m #1.1	89.10
#w/Supercharger Add .8			
25 Pulley, Water Pump	97-98 NCA2225AB	#.5	41.15
	99-02 AJ8003873	#.5	41.75
26 Belt, Drive			
XK8	97-99 NCA2211AC	#.3	88.60
XKR	00-02 NCA2211DA	#.3	84.20
	NCC7740BA	#.5	66.70
#Included in R&R Water Pump			
27 Pulley, Idler			
XK8	C2C022758	.4	27.05
XKR	XR8031039	.5	28.05
28 Bracket, Idler Pulley			
XKR	XR8031038		64.65
29 Tensioner, Belt			
XK8	NCA7739AE	.5	59.50
XKR	C2C005209	.6	56.90
30 Cover, Thermostat			
XK8	AJ8005875	#.9	22.75
XKR	NCC2245BC	#.9	30.95
31 Thermostat	AJ8006484	#.9	47.55
32 Seal, Thermostat	NCA2246BA	#.9	3.60
#R&R Complete			
33 Housing, Thermostat			
XK8	AJ8002217	#1.3	55.65
XKR	AJ8001981	#1.4	245.65

Order by Application
#Includes R&R Thermostat

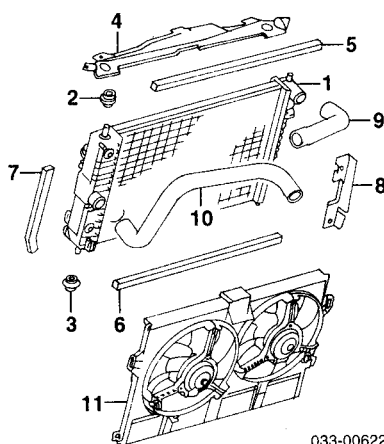


033-01468

34 Intercooler			
XKR	MNC8200AF	#3.1	615.00
#Included in R&R Radiator			
35 Bracket, Upper Mount			
XKR	R MJB8224AA		26.50
	L MJB8225AA		26.50
36 Grommet, Upper Mounting			
XKR	R/L N.A.		0.00
37 Grommet, Lwr Mounting			
XKR	R/L C2C016681		1.00
38 Hose, Pressure Release			
XKR	MJB4570BD		34.60
39 Clamp, Pump Mtg			
XKR	MJB8271AA		14.95
40 Bracket, Pump Mtg			
XKR	MJB8272BC		42.50
41 Buffer, Mounting Bracket			
XKR	BEC010761		.85
42 Grommet, Support			
XKR	R/L C2C016681		1.00
43 Spacer, Bracket			
XKR	R/L JZT100020		3.50
44 Pump, Coolant			
XKR	C2C001314	m #1.2	389.00
45 Hose, Outlet			
XKR	MJB8236AB	m #1.2	30.05
46 Hose, Inlet			
XKR	MJB8244AD	m #1.2	72.65
#R&R Complete			

2003-05

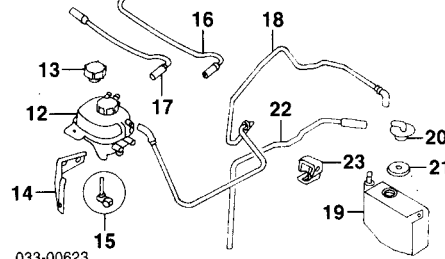
R&I Radiator..... 3.1



033-00622

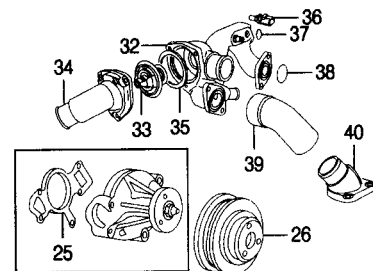
1 Radiator			
XK8	MJA4190AF	3.1	740.00
XKR	MJB4190BC	3.1	630.00
2 Cushion, Upper Mtg			
XKR	R/L MJA4243AB		7.40
3 Cushion, Lower Mtg			
XKR	R/L MJA4242CB		7.40
4 Panel, Upper Mtg			
XKR	MJA4180AD		79.90
5 Seal, Upper Rad			
XKR	MJA4212AA		30.55
6 Seal, Lower Rad			
XKR	MJA4212AA		30.55
7 Seal, Side Rad			
XKR	R MJA4210AA		36.30
	L MJA4211AA		36.30
8 Plate, Sealing			
XK8	MJA4214AB		7.95
XKR	MJB4214BA		7.80
9 Hose, Upper Rad			
XK8	C2N001174	.7	78.80
XKR	C2N001937	.7	78.80

10 Hose, Lower Rad			
XK8	C2N001173	.9	80.85
XKR	C2N002615	.9	80.85
11 Fan & Motor, Electric	XR8047278	#3.1	530.00
#Included in R&R Radiator			



033-00623

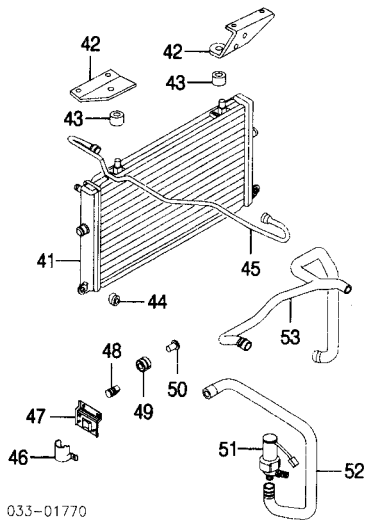
12 Reservoir, Coolant			
XK8	MJD4400AB	.5	148.10
XKR	MJD4400BA	.5	154.50
13 Cap, Reservoir	MJA4440BA		14.65
14 Brkt, Reservoir Mounting			
XK8			
Front	MJB4452AA		8.85
Rear	MJA4453AB		10.50
XKR			
Front	MJB4452BA		4.50
Rear	MJB4453BA		4.05
15 Sensor, Fluid Level	LNA5740AB	#.5	44.80
#Included in R&R Coolant Reservoir			
16 Hose, Bleed			
XK8	C2N002463	.3	107.65
XKR	C2N001809	.3	17.05
17 Hose, Reservoir	MJA4560DB	.3	14.55
18 Pipe, Reservoir			
XK8	MJA4468AF		21.35
XKR	MJB4468BB		23.75
19 Tank, Recovery	MJA4460AD	.5	34.50
20 Cap, Tank	MJA4466AA		13.50
21 Seal, Cap	MJA4467AA		4.05
22 Hose, Drain	MJA4480AD		12.00
23 Clip (4)	KDF110004		.95



033-01769

24 Pump Assy, Water	AJ8008912	m #1.1	89.10
#w/Supercharger Add .8			
25 Gasket, Water Pump	AJ8003300	m	14.45
#Included w/Water Pump Assy			
26 Pulley, Water Pump	AJ8003874	#.5	41.75
27 Belt, Drive	AJ8009191	#.5	42.35
#Included in R&R Water Pump			
28 Pulley, Tensioner	XR8031038	.4	64.65
29 Bracket, Idler Pulley	C2C026235		63.60
30 Pulley, Idler	C2C022758		27.05
31 Tensioner, Belt			
XK8	AJ8008003	.6	47.55
XKR			
To VIN A42569	C2C005209	.6	56.90
From VIN A42570	AJ8006199	.6	0.00
32 Housing Assy, Thermostat			
XK8	AJ8007365	#1.3	59.75
XKR	AJ8009050	#1.4	193.15
#Includes R&R Thermostat			
33 Thermostat			
XK8	AJ8002697	#.9	34.65
XKR	AJ8006484	#.9	47.55
34 Outlet, Thermostat			
XK8	AJ8004567	#.9	22.75
XKR	AJ8004255	#.9	55.40
35 Seal, Thermostat			
XK8	AJ8003525	#.9	4.20
XKR	NCA2246BA	#.9	3.60

Table with 4 columns: Part #, Description, Qty, Price. Includes #R&R Complete, Sensor, Temperature, Insulator, Sensor, O-Ring, Pipe, Hose, Inlet, Connector, Hose.



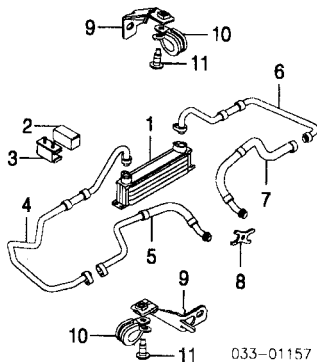
033-01770

Table with 4 columns: Part #, Description, Qty, Price. Includes Intercooler, Bracket, Upper Mount, Grommet, Upper Mounting, Grommet, Lwr Mounting, Hose, Pressure Release, Clamp, Pump Mtg, Bracket, Pump Mtg, Buffer, Mounting Bracket, Grommet, Support, Spacer, Bracket, Pump, Coolant, Hose, Outlet, Hose, Inlet.

#R&R Complete

ENGINE OIL COOLER

R&I Engine Oil Cooler m .8



033-01157

Table with 4 columns: Part #, Description, Qty, Price. Includes Cooler, Engine Oil, Mount, Oil Cooler, Bracket, Mount, Pipe, Oil Cooler Feed.

Table with 4 columns: Part #, Description, Qty, Price. Includes XKR, Hose, Oil Cooler Feed, Pipe, Oil Cooler Return, Hose, Oil Cooler Return, Bracket, Hose, Bracket, Pipe, Clamp, Pipe, Bolt, Clamp (2/Side).

A/C REFRIGERANT CAPACITIES

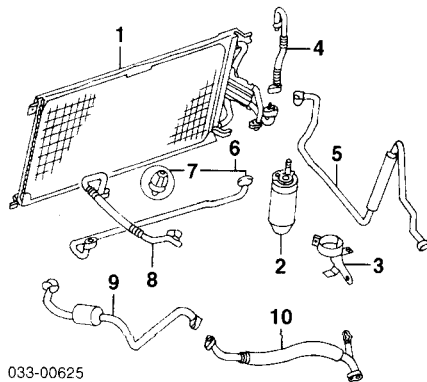
A/C R-134a Refrigerant Capacity
1997-05: 26-30 Ozs (1.62-1.87 Lbs)

A/C (HEATER) VENTILATION

Use Procedure Explanation 6 with the following text.

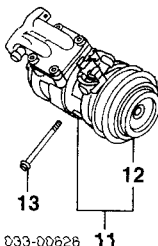
Table with 2 columns: Description, Price. Includes R&I Condenser, Evacuate & Recharge System, Recover Refrigerant.

NOTE: R&R Does Not include recover, evacuate and recharge system.



033-00625

Table with 4 columns: Part #, Description, Qty, Price. Includes Condenser, Receiver/Drier, Brkt, Receiver/Drier, Hose, Receiver/Drier, Hose, Drier/Evap, Pipe Assy, Condenser, Switch, Pressure (a), Hose, Cond/Comp, Pipe, Condenser, Hose, Comp/Evap.

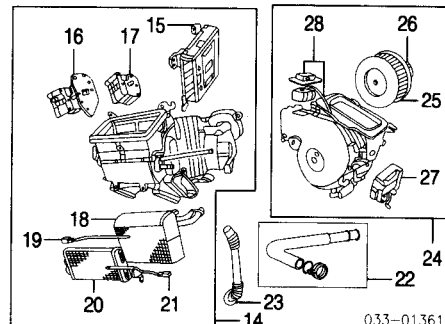


033-00626

Table with 4 columns: Part #, Description, Qty, Price. Includes Compressor Assy, Clutch, Compressor (b).

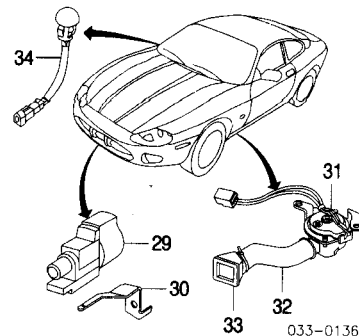
2003-05-Serviced w/Compressor Assy
(b) Included w/Compressor Assy

Table with 4 columns: Part #, Description, Qty, Price. Includes Bolt, Mtg.



033-01361

Table with 4 columns: Part #, Description, Qty, Price. Includes Evaporator Assy, Control Unit (c), Motor, Foot Outlet Servo (c), Motor, Fresh Air Servo (c), Core, Evaporator (c), Thermostat, Evap (c), Core, Heater (c), Thermostat, Heater (c), Pipe Kit, Tube, Drain, Blower Assy, Fan, Blower Motor (d), Motor, Blower (d), Motor, Servo (d), Resistor, Blower (d).



033-01362

Table with 4 columns: Part #, Description, Qty, Price. Includes Sensor, Ambient Air, Bracket, Sensor Mtg, Motor, Aspirator, Tube, Drain, Sensor, Temp, Sensor, Solar.

FRONT FENDER

Use Procedure Explanations 7 and 28 with the following text.

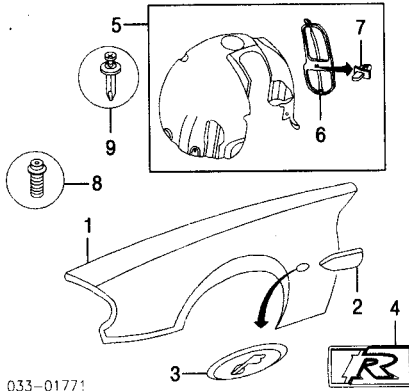
Table with 2 columns: Description, Price. Includes Refinish Fender Outside, Add to Edge Fender, Refinish Side Mldg, R&I Fender Assy.

#Includes R&I Front Bumper Assy, Combination Lamp Assy, R&I/R&R Fender Liners, Cowl Plenum Panel & Wiper Arms, R&I Both Fenders 5.8

Illustration Located in Next Column

Table with 4 columns: Part #, Description, Qty, Price. Includes Fender, Midg, Side (Adhesive) (P), Emblem (Adhesive).

FRONT FENDER Cont'd



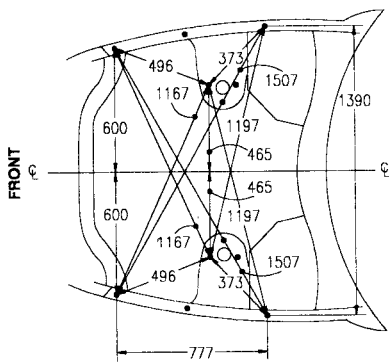
033-01771

3	Jaguar XK8	R HJA5770AA	.2	643.00
		L HJA5771AA	.2	643.00
	XKR	R HJD5770AA	.2	35.95
		L HJD5771AA	.2	35.95
4	"R"			
	To VIN A30644	R/L XR8030872	.2	31.70
	From VIN A30645	R/L C2N002446	.2	31.35
5	Liner Assy, Fender	R/L C2N002846-7	#5	120.25
	#Included in R&R/R Fender			
6	Panel, Bulb Access	R HJA4582AD	14.70	
		L HJA4583AD	14.70	
7	Clip, Access Panel	R/L KTF100003	2.20	
	#Included w/Fender Liner Assy			
8	Screw, Retainer	R/L JZS100005	1.45	
9	Rivet, Screw (4/Side)	R/L KRS113230	1.15	

UNDERHOOD DIMENSIONS

1997-04

061-50051



2005

Information not available at time of publication.

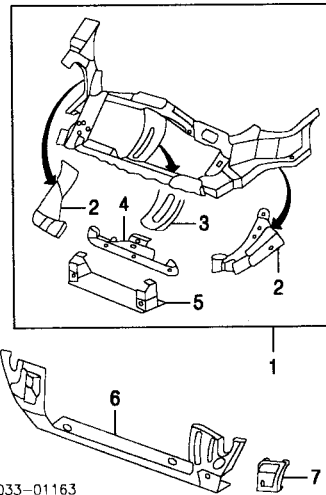
FRONT INNER STRUCTURE

Use Procedure Explanations 8 and 28 with the following text.

NOTE: Refer to Special Cautions Section at the beginning of this vehicle text.

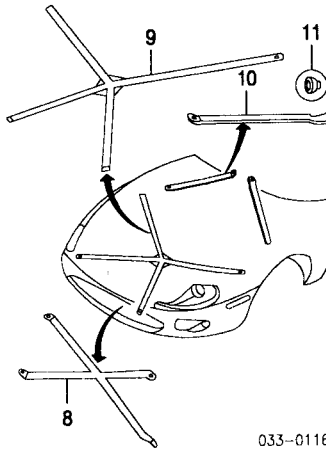
FRONT

Refinish Front Support Assy Complete	1.5
Refinish Lower Crossmember	.5
R&R Front Radiator Support Complete	#12.4
#Includes R&R Front Support Assy, Lower Crossmember, R&R Hood, Combination Lamp Assemblies, R&R/R Hood Hinges, Impact Absorbers, Radiator, Electric Fan & Motor as an Assy, Air Cleaner Duct & Disconnect & Connect Wiring &/or Harness as Necessary	
Add to R&R Front Support Assy Complete	
To R&R Base Model Mechanical Components	m #2.0
#Includes R&R ABS Modulator Assy, Power Steering Cooler, Power Steering Reservoir, A/C Condenser, Receiver/Drier & D&C A/C Lines	
To Aim Lamps	.4
Evacuate & Recharge System	m 1.4
Recover Refrigerant	m .3



033-01163

1	Support Assy, Front			
	1997-00			
	w/Adaptive Speed Control	FJD3866JB	s	5.5 498.00
	w/o Adaptive Speed Control	FJB3866AA	s	5.5 393.00
	2001-03	FJE3866AB	s	5.5 498.00
	2004-05	C2N002836	s	5.5 471.00
2	Panel, Side Mtg			
	1997-00	R FJA4482AA	s	#1.5 79.35
		L FJA4483AA	s	#1.5 79.35
	2001-05-Serviced w/Front Support Assy			
3	Reinf, Bumper Mtg			
	1997-00			
	w/Adaptive Speed Control	FJD2613JA	s	#1.0 71.60
	w/o Adaptive Speed Control	FJA2613AB	s	#1.0 77.25
	2001-05	FJE2613AC	s	#1.0 85.25
4	Crossmember, Bumper			
	1997-00			
	w/Adaptive Speed Control	FJD1866JA	s	#2.0 229.20
	w/o Adaptive Speed Control	FJA1866AE	s	#2.0 259.00
	2001-05	FJE1866AA	s	#2.0 276.00
5	Bracket, Acceleration			
	1997-99-Not Serviced			
	2000	FJD2701JB		5.45
	2001-03	C2N002868		23.55
	2004-05	C2N002868		23.55
	#Included w/Front Support Assy			
6	Crossmember, Lower	FJE4059AA	s	#4.5 505.00
	#w/Necessary Bolted Parts Removed			
7	Brkt, Valance Reinf	R FJA4422AC		33.15
		L FJA4423AC		33.15

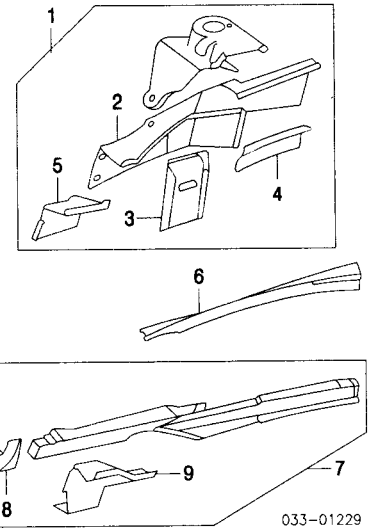


033-01164

8	Brace, Front Cross			
	Conv			
	XK8	FJA3106BA		54.60
	XKR	HJB4151AB		50.20
9	Strut, Crossmember			
	Conv	HJA4616BC		129.30
10	Brace, Rear			
	Conv	R HJA4000BA	#2	32.20
		L HJA4001AE	#2	32.70
	#R&R Both .3			
11	Bushing, Brace	R/L HJA4006AD		3.60

SIDE

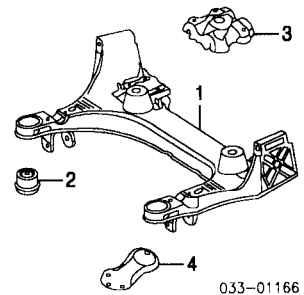
Refinish Apron/Sidemember Assy	R/L	1.8
Refinish Apron Assy	R/L	1.0
Refinish Sidemember Assy	R/L	1.0



033-01229

1	Apron Assy	R FJG3990AA	s	#9.6 482.00
		L FJG3991AA	s	#9.6 482.00
	#w/Necessary Bolted Parts & Assemblies Removed			
2	Panel, Apron	R FJG1990AA	s	173.55
		L FJG1991AA	s	173.55
3	Reinf, Sidemember	R FJA2016AC	s	51.75
		L FJA2017AC	s	51.75
4	Reinf, Upper	R FJA2938AB	s	64.90
		L FJA2939AB	s	64.90
5	Panel, Valance	R FJE1992AC	s	18.25
		L FJE1993AC	s	18.25
	#Included w/Apron Assy			
6	Reinf, Lower	R FJA1170AC		172.05
		L FJA1171AC		172.05
7	Sidemember Assy	97-00 R FJD3848CA	s	#7.6 970.00
		L FJD3849CA	s	#7.6 970.00
		01-02 R FJE3848AB	s	#7.6 985.00
		L FJE3849AB	s	#7.6 985.00
		03-05 R FJG3848AA	s	#7.6 875.00
		L FJG3849AA	s	#7.6 875.00
	#w/Necessary Bolted Parts & Assemblies Removed, w/Apron Removed Deduct 3.0			
8	Extension, Crossmember (a)	R FJE2032AC	s	20.15
		L FJE2033AC	s	20.15
9	Panel, Extension (a)	R FJE1842AB	s	71.60
		L FJE1843AB	s	71.60
	(a) Included w/Sidemember Assy			

SUB-FRAME



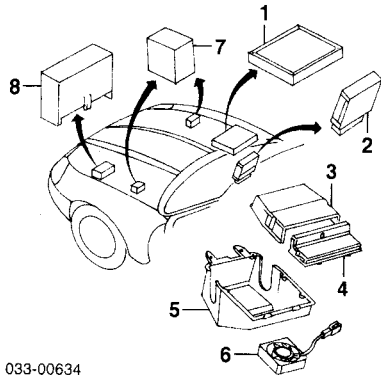
033-01166

1	Sub-Frame, Front	97-00 MJD2232BA	m	#2.5 1600.00
		01-05 C2N002797	m	#2.5 1850.00
	#w/Necessary Bolted Parts Removed, Not Included in O/H Suspension, Includes Support Engine			
2	Bushing, Front Mount	R/L MJA2370AJ		26.20
3	Mount, Front	R/L MJA2360AH		48.00
4	Bracket, Mounting	97-00 R/L MJA2547AA		20.20
		01-05 R MJE2540AC		40.35
		L MJE2541AC		40.35

ELECTRICAL COMPONENTS

Illustration Located in Next Column

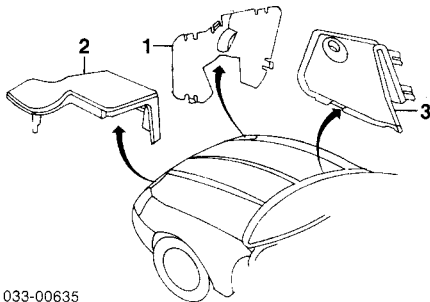
1	Module, Eng Control	C2N002475	m	.5 1030.00
	XK8	C2N002476	m	.5 1030.00
	XKR	LJB2500AF55	m	.9 565.00
2	Module, Body Processor			
	#Order by Application			
3	Housing, Frt Uptr Module	LJB2410DA	m	19.90
4	Housing, Rear Uptr Module			



033-00634

1997	LJA2410BB	m	18.90
1998	LJA2410BB	m	18.90
To VIN 024696	LJB2410BA	m	19.50
From VIN 024687	LJB2410BA	m	19.50
1999-05	LJB2410BA	m	19.50
5 Housing, Lower Module			
To VIN A33944	LJB2410CA	m	51.10
From VIN A33945	LJB2410CB	m	46.60
6 Fan, Cooling	LJB2412BA	m	1.3 57.70
7 Box, Eng Fuse (18-Way)			
1997	LJA2800CE	m	123.60
1998	LJB2800FA	m	126.20
1999	LJC2800CA	m	112.30
2000-03	LJD2800CB	m	112.05
2004-05			
To VIN A33834	LJG2800CB	m	106.90
From VIN A33835 to VIN A36873	LJG2800CC	m	96.05
From VIN A36874	LJG2800CD	m	94.50
8 Box, Eng Fuse (22-Way)			
1997	LJA2822AF	m	146.00
1998-03	LJD2822AA	m	201.90
2004-05			
To VIN A36873	LJG2822AB	m	125.70
From VIN A36874	LJG2822AC	m	113.05

FRONT COVERS



033-00635

1 Cover, H/Lamp Mtg Plate	HJA2697BA		15.60
w/ H/Lamp Leveling	HJA2697CA		18.90
w/o H/Lamp Leveling	NJA3984AC		20.80
2 Cover, Eng Comp	R NJE3978AC	#.2	27.35
3 Cover, Cowl	L NJE3979AC	#.2	27.35

#R&R Both .3

AIR BAG SYSTEM

Use Procedure Explanation 30 with the following text.

NOTE 1: R&R Does Not include disable and enable or diagnose Air Bag System.

NOTE 2: Refer to Procedural Explanation 30 for Supplemental Restraint/Air Bag System Component Inspection and Replacement Information.

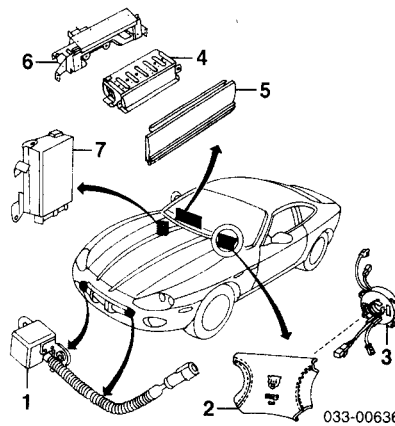
NOTE 3: For Air Bag System Service procedures, refer to Manufacturer's Service Repair Manual or Mitchell's Air Bag Service and Repair Manual.

FRONT

Disable & Enable Air Bag System.....	m	.3
--------------------------------------	---	----

Illustration Located in Next Column

1 Sensor, Impact	HJA9660AA	m	.5	87.55
1997-00 (2)	C2C023972	m	.5	172.55
2001-05				
2 Module, Driver Air Bag				
1997-99				

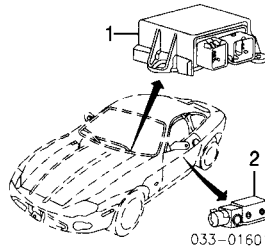


033-00636

Antelope	HJB9180CBAGE	m	.5	451.00
Charcoal	HJB9180CBLEG	m	.5	451.00
Coffee	HJA9180CESDC	m	.5	0.00
Sable	HJB9180CBAEK	m	.5	451.00
Teal	HJB9180CBHDV	m	.5	438.00
2000-02				
w/Adaptive Speed Control				
Antelope	HXD9180BAAGE	m	.5	0.00
Charcoal	HXD9180BALEG	m	.5	1230.00
Sable	HXD9180BAAEK	m	.5	0.00
w/o Adaptive Speed Control				
Antelope	HJE9180CCAGE	m	.5	1010.00
Charcoal	HJB9180CCLEG	m	.5	505.00
Sable	HJE9180CCA EK	m	.5	1010.00
2003-05				
Charcoal	C2N003452LEG	m	.5	1270.00
Sable	C2N003452AEK	m	.5	1270.00
3 Clockspring				
97-00	LJA6470CA	m	1.0	123.10
01-05	LJE6470AB	m	1.0	128.75
97-98	HNA9670BA	m	.7	560.00
99-05	HJB9670AA	m	.7	382.00
5 Door, Pass Module	HJE9007AC			325.00
97-00	HJA8997DA			20.50
01-05	HJE9046AB			18.70
97-02	HJA9682AA	m	.9	595.00
03-05	HJE9680AE	m	.9	284.00
4 Module, Pass Air Bag				
6 Brkt, Module				
7 Module, Diagnosis				

SIDE

Disable & Enable Air Bag System.....	m	.3
--------------------------------------	---	----



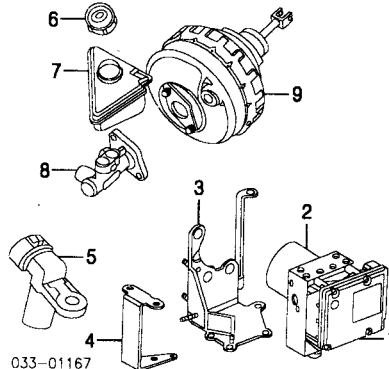
033-01601

Module, Side Air Bag	R/L XR8011791	m	#.6	169.95
#w/Front Seat Assy Removed				
1 Module, Control	C2N003057	m	.8	585.00
2 Sensor, Side Air Bag	R/L C2C023972	m	.5	172.55

ABS/BRAKES

Bleed System.....	m	.4
-------------------	---	----

NOTE: R&R Does Not include bleed brake system.

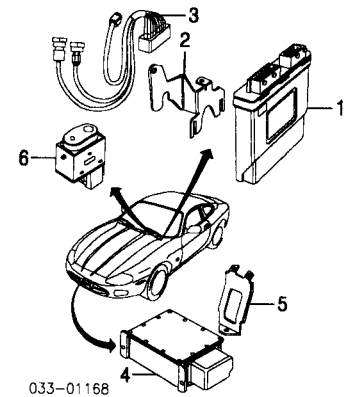


033-01167

1 Module, Control

1997-02				
w/Traction Control	97 JLM020130	m	1.0	1320.00
	98-99 JLM020556	m	1.0	1170.00
	00-02 JLM021323	m	1.0	1410.00
w/o Traction Control	97 JLM020129	m	1.0	1430.00
	98-02 JLM020555	m	1.0	1170.00
	C2N003651	m	1.0	1850.00
2 Control Unit, Hydraulic				
1997-02				
w/Traction Control	97-99 JLM020554	m	1.3	1220.00
	00-02 JLM021322	m	1.3	1420.00
w/o Traction Control	JLM020553	m	1.3	1350.00
2003-05	C2N002613	m	1.3	1525.00
3 Brkt, Modulator Mtg	MJB5911AA			52.55
4 Cover, Mtg Bracket	MJB5927BA			17.30
5 Sensor, ABS				
Front				
	97-02 R/L LJA2226AA	m	.5	273.00
	03-05 R/L XR8022753	m	.5	198.80
Rear				
	97-02 R/L LJA2226AA	m	.5	273.00
	03-05 R/L XR8022753	m	.5	198.80
	JLM021215	m		45.70
6 Cap, Reservoir	JLM021282	m		149.35
7 Reservoir				
8 Cylinder, Brake Master				
1997-99				
	JLM020266	m	1.6	445.00
	JLM021164	m	1.6	398.00
	JLM021164	m	1.6	398.00
	C2N001911	m	1.6	740.00
9 Booster, Brake				
1997-99				
	JLM012188	m	#.4	590.00
	JLM021163	m	#.4	525.00
	JLM021163	m	#.4	525.00
	C2N001910	m	#.4	680.00
#w/Brake Master Cylinder Removed				

CRUISE CONTROL SYSTEM



033-01168

1 Module, Cruise Control	LJD1962AA	m	1.0	845.00
2 Bracket, Module	LJD3916BA			11.20
3 Harness, Cruise Control	JLM021210	m	.5	124.90
4 Sensor, Speed	C2C023960	m	.8	2500.00
5 Bracket, Speed Sensor	LJD1961AA			75.45
6 Switch, Cruise Control				
	LJD6227AA	m	.3	41.60
	C2N001371	m	.3	36.00
	XK8 C2N001385	m	.3	33.70
	XKR C2N002253	m	.3	33.70

WHEEL

Use Procedure Explanation 10 with the following text.

ALLOY WHEEL

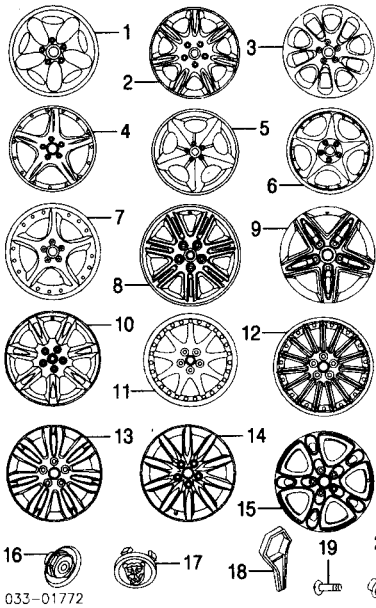
Add to R&I Spare Wheel & Tire Assy.....	.2
---	----

Illustration Located in Next Column

Wheel, Alloy				
1 Type 1				
Chrome	MJA6116BB	.3		710.00
Silver	MJA6116AB	.3		477.00
2 Type 2				
7 Flute				
Front	MJA6118AC	.3		550.00
Rear	MJA6118BC	.3		550.00
Impeller				
Front	MJE6118AA	.3		735.00
Rear	MJE6118BA	.3		565.00
3 Type 3				
Front	MJB6118AB	.3		483.00
Rear	MJB6118BB	.3		483.00
4 Type 4				
18x8-1/2"				
Oyster	MXD6154AC	.3		880.00
Silver	MXD6154CAN	.3		880.00
18x9"				
Oyster	MXD6154BC	.3		980.00
Silver	MXD6154DAN	.3		980.00

WHEEL Cont'd

ALLOY WHEEL Cont'd

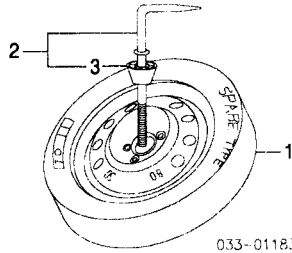


5	Type 5	MJD6116AB	.3	475.00
6	Type 6			
	Front			
	Oyster	MJC6156AB	.3	1190.00
	Silver	MXD6156EAN	.3	1190.00
	Rear			
	Oyster	MJC6156BB	.3	1290.00
	Silver	MXD6156FAN	.3	1290.00
7	Type 7			
	Front			
	Oyster	MXD6156AB	.3	1190.00
	Silver	MXD6156CB	.3	1190.00
	Rear			
	Oyster	MXD6156BB	.3	1290.00
	Silver	MXD6156DB	.3	1290.00
8	Type 8			
	Front	C2N003314	.3	675.00
	Rear	C2N003315	.3	675.00
9	Type 9	C2N003336	.3	464.00
10	Type 10			
	Front	C2N002888	.3	780.00
	Rear	C2N002889	.3	815.00
11	Type 11			
	Front			
	Oyster	MXD6156GAN	.3	1190.00
	Silver	MXD6156JAN	.3	1190.00
	Rear			
	Oyster	MXD6156HAN	.3	1290.00
	Silver	MXD6156KAN	.3	1290.00
12	Type 12			
	Front	C2N003121	.3	1575.00
	Rear	C2N003122	.3	1750.00
13	Type 13			
	Front	C2N003015	.3	510.00
	Rear	C2N003016	.3	565.00
14	Type 14			
	Front	C2N003017	.3	780.00
	Rear	C2N003018	.3	855.00
15	Type 15			
	Front	MJE6118CA	.3	515.00
	Rear	MJE6118DA	.3	515.00
16	Cap, Center (Wrench Type)			
	Oyster	MXD6240AA	120.25	
	Silver	MXD6240BA	115.40	
17	Cap, Center (Pop-In Type)			
	1997-02			
	XK8	MNA6249AB	20.75	
	XKR			
	w/Silverstone	MXD6249CA	24.20	
	w/o Silverstone	MXD6249AA	20.00	
	2003-05	C2C028061	17.75	
	2003-05	C2C028061	17.75	
18	Wrench, Spanner	MXD6160AA	d5.95	
19	Stem, Valve†	XR8006367	7.25	
	†Order by Application			
20	Nut, Lug	CCC007028	19.65	

SPARE WHEEL & HARDWARE

1	Wheel, Spare w/Perf Pkg	MXD6109AC	645.00
---	-------------------------	-----------	--------

Illustration Located in Next Column



2	Clamp Assy, Spare Wheel Std Wheel	MJA6109AC	d195.70
	Space Saver Wheel	MJA6190BC	6.10
		MJA6190AC	5.85
3	Washer, Clamp†	MJA6192AA	1.40
	†Included w/Spare Wheel Clamp Assy		

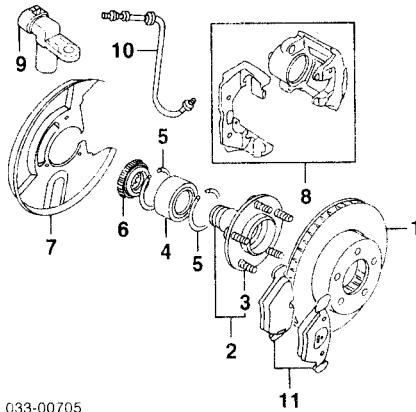
FRONT SUSPENSION

Use Procedure Explanation 11 with the following text.

R&I Suspension (One Side)	R/Lm	2.2
R&R Brake Rotor	R/Lm	# 8
#R&R Both Sides 1.4		
R&R Coil Spring	R/Lm	#1.2
#Included in R&R/Shock Absorber		
O/H Suspension (Includes R&I)	R/Lm	6.2
One Side		m 12.2
Both Sides		m 12.2
Adjust Four Wheel Alignment		m 2.2
Bleed Brake System		m .4

NOTE 1: R&I/R&R or O/H Does Not include alignment or bleed brake system.

NOTE 2: All Parts in this section are included in overhaul unless noted otherwise.



033-00705

1	Rotor, Brake†			
	1997-99	JLM020617	m	# 226.60
	2000-02			
	w/Perf Pkg	JLM021749	m	# 700.00
	w/o Perf Pkg	JLM020617	m	# 226.60
	2003-05			
	Ventilated Rotors	C2N003427	m	# 580.00
	Non-Ventilated Rotors			
	w/Brembo Brakes	C2N003428	m	# 580.00
	w/o Brembo Brakes	JLM020617	m	# 226.60
	†Set of 2			
	#Labor for Installation, See Headnotes			
2	Hub Assy, Wheel			
	1997-99	R/L MJA1837AF	m	#2.7 218.40
	1999-02	R/L MNC1837BB	m	#2.7 185.40
	2003-05			
	w/Brembo Brakes	R/L MXD1837AA	m	#2.7 202.40
	w/o Brembo Brakes	R/L MXD1837BB	m	#2.7 0.00
	#Includes R&R Rotor			
3	Stud, Wheel (a) (5/Side)			
	Spined	R/L JZB100064	m	2.25
	Threaded	R/L CAC003878	m	3.40
	(a) Included w/Hub Assy			
4	Bearing, Wheel			
	97-98 R/L	MJA1830AE	m	#2.7 63.35
	99-05 R/L	MNC1830AA	m	#2.7 62.60
	#Includes R&R Wheel Hub Assy & Rotor			
5	Ring, Retainer (2/Side)			
	97-98 R/L	JCR110765	m	2.50
	99-05 R/L	JCR110805	m	1.95
6	Rotor, Speed Sensor	R/L MJA1849BE	m	19.40
7	Shield, Splash			
	1997-99	R MJA1932AA	m	# 2 20.25
		L MJA1933AA	m	# 2 20.25
	2000-05			
	w/Perf Pkg	R MXD1932AA	m	# 2 56.90
		L MXD1933AA	m	# 2 56.90
	w/o Perf Pkg	R MJA1932AA	m	# 2 20.25
		L MJA1933AA	m	# 2 20.25
	#w/Wheel Hub Removed			

8 Caliper, Brake

1997-99				
305mm Brake Rotor	R/L	JLM021465-6	m	#1.2 545.00
325mm Brake Rotor	R/L	JLM021467-8	m	#1.2 545.00
2000-02				
w/Perf Pkg	R/L	JLM021315-6	m	#1.2 d820.00
w/o Perf Pkg	R/L	JLM021467-8	m	#1.2 545.00
2003-05				
w/Supercharger				
Gray	R/L	C2N002144-5	m	#1.2 655.00
Red	R/L	C2N003247-8	m	#1.2 650.00
w/o Supercharger				
w/Brembo Brakes	R	MXD1512CA	m	#1.2 840.00
	L	MXD1513CA	m	#1.2 840.00
w/o Brembo Brakes	R/L	JLM021467-8	m	#1.2 545.00

9 Sensor, ABS-See ABS/Brakes Section

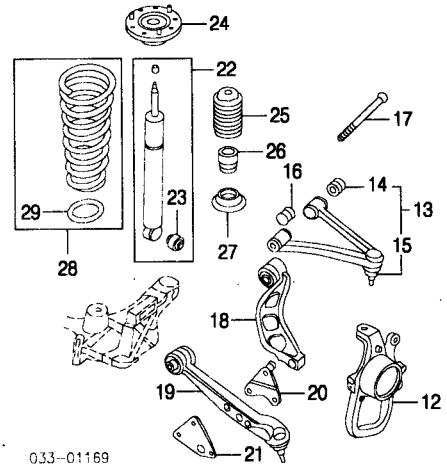
10 Hose, Brake

1997-98	R/L	MJA5670AD	m	# 4 40.85
1999				
To VIN 037347	R/L	MJA5670AD	m	# 4 40.85
From VIN 037348	R/L	MJB5670AA	m	# 4 36.60
2000-02				
w/Perf Pkg	R/L	MXD5670AC	m	# 4 75.45
w/o Perf Pkg	R/L	MJB5670AA	m	# 4 36.60
2003-05				
w/Perf Pkg				
To VIN A37216	R/L	MXD5670AC	m	# 4 75.45
From VIN A37217	R/L	C2N003107	m	# 4 79.85
w/o Perf Pkg	R/L	MJB5670AA	m	# 4 36.60

11 Pad Set, Brake

1997-99	JLM001829	m	#2.4 112.30
2000-02			
w/Perf Pkg	MXD1550AB	m	#2.4 324.00
w/o Perf Pkg	JLM001829	m	#2.4 112.30
2003-05			
w/Brembo Brakes	MXD1550AB	m	#2.4 324.00
w/o Brembo Brakes	MJE2001AB	m	#2.4 95.80

#Deduct 1.2 for Each Caliper Removed



033-01169

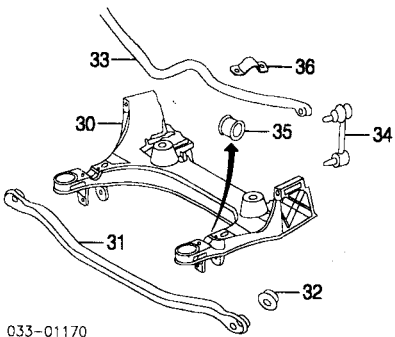
12 Knuckle

1997-98	R/L	JLM020887-6	m	#2.7 422.00
1999	R	MNC1628AA	m	#2.7 418.00
	L	MNC1629AA	m	#2.7 418.00
2000-02				
w/Perf Pkg	R	MXD1628AA	m	#2.7 535.00
	L	MXD1629AA	m	#2.7 535.00
w/o Perf Pkg	R	MNC1628AA	m	#2.7 418.00
	L	MNC1629AA	m	#2.7 418.00
2003-05				
w/Perf Pkg	R	MXD1628AB	m	#2.7 535.00
	L	MXD1629AB	m	#2.7 535.00
w/o Perf Pkg	R	MNC1628AA	m	#2.7 418.00
	L	MNC1629AA	m	#2.7 418.00

#R&R One Side Complete, Includes R&R Hub, Bearings, Retainers, Rotor & Splash Shields

13	Arm Assy, Upper Control	R JLM021377	m	#1.7 d167.90
		L JLM021378	m	#1.7 167.90
	#w/Knuckle Removed Deduct .3			
14	Bushing, Upr Arm (b) (2/Side)	R/L MJA1462AB	m	#2.1 29.90
	#Includes R&I/R&R Upper Control Arm Assy, w/Knuckle Removed Deduct .3			
15	Joint, Ball (b) (c)	R/L JLM021380	m	#1.2 d46.30
	(b) Included w/Upper Control Arm Assy			
	#w/Knuckle Removed Deduct .3			
16	Shim, Pivot Pin (c) (2/Side)	R/L MJA1467BA	m	3.00
	(c) Order by Application			
17	Shaft, Arm Pivot	R MJA1455AD	m	50.45
18	Arm, Frt Lower Control	R/L MJF1346AA	m	# 5 241.55
19	Arm, Rear Lower Control	R/L JLM021304-5	m	# 5 209.10
	#R&R One Side Complete, w/Steering Knuckle Removed Deduct .2			
20	Plate, Frt Damper Mtg	R MJA1372AA	m	4.05
		L MJA1373AA	m	4.05
21	Plate, Rear Damper Mtg	R MJA1374AA	m	7.05
		L MJA1375AA	m	7.05
22	Absorber Assy, Shock			
	1997-02			
	w/Adaptive Damping Cont Susp	R/L MXD2140AA	m	#1.2 0.00
	w/Perf Pkg			

w/o Perf Pkg	R/L MJB2140EB	m #1.2	357.00
w/ Adaptive Damping Cont Susp	R/L MJA2140DJ	m #1.2	233.85
2003-05			
w/Perf Pkg	R/L MXD2140AB	m #1.2	402.00
w/o Perf Pkg			
w/ Adaptive Damping Cont Susp	R/L MJB2140EC	m #1.2	334.00
w/ Adaptive Damping Cont Susp	R/L MJA2140DJ	m #1.2	233.85
23 Bushing, Lower (d)	R/L MJA2153AB	m #1.2	18.50
(d) Included w/Shock Absorber Assy			
24 Plate, Upper Mtg	R/L MJA2170BD	m #1.2	149.90
25 Boot, Damper	R/L MJA2148AA	m #1.2	13.00
26 Bumper	R/L MJA2150BA	m #1.2	16.90
27 Plate, Lwr Spring	R/L MJA2166BC	m #1.2	7.45
#R&R One Side Complete			
28 Spring Assy, Coil (e) (f)			
Coupe			
1997			
To VIN 014439	JLM020162	m #	262.00
From VIN 014440	JLM020711	m #	252.00
1998-99	JLM020711	m #	252.00
2000-02	JLM020689	m #	264.00
2003-05			
w/Supercharger			
w/Perf Pkg	JLM021276	m #	0.00
w/o Perf Pkg	JLM020689	m #	264.00
w/o Supercharger			
w/Perf Pkg	JLM021277	m #	0.00
w/o Perf Pkg	JLM020710	m #	205.00
Conv			
1997-99	JLM020712	m #	252.00
2000-05	JLM020706	m #	276.00
(e) Order by Application			
(f) Set of 2			
#Labor for Installation, See Headnotes			
29 Spacer, Spring (g)	R/L MJA2162AA	m	2.25
(g) Included w/Coil Spring Assy			



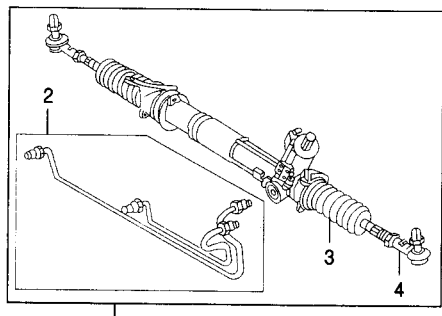
30 Sub-Frame, Front-See Front Inner Structure Section		m #.4	54.35
31 Bar, Sway	MJA2260AE		
#Not Included in O/H			
32 Nut, Lock (2)	JFX11404E	m	1.80
33 Bar, Stabilizer			
1997-99	MJA2100DH	m #.8	195.70
2000-05			
w/Perf Pkg	MXD2100AA	m #.8	205.00
w/o Perf Pkg	MJA2100DH	m #.8	195.70
#Includes R&R Bushings & Brackets, Not Included in O/H			
34 Link, Outer Bar	R/L MJA2105AG	m #.6	70.85
#Not Included in O/H, w/Stabilizer Removed Deduct .3			
35 Bushing, Stabilizer Bar			
1997-99	R/L MJA2102CE	m #.7	10.25
2000-05			
w/Perf Pkg	R/L MXD2102AA	m #.7	6.90
w/o Perf Pkg	R/L MJA2102CE	m #.7	10.25
36 Bracket, Bushing	R/L MJA2101AA	m #.7	4.05
#R&R Complete, Included in R&R Stabilizer Bar, Not Included in O/H			

FRONT STEERING LINKAGE/GEAR

R&L Steering Gear.....m 2.6
 NOTE: R&R/R&R Does Not include check or adjust alignment.

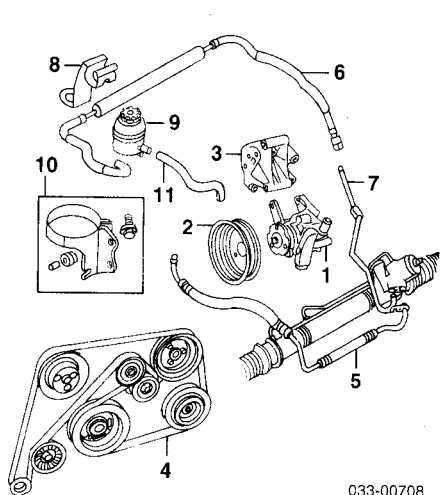
Illustration Located in Next Column

1 Gear Assy, Steering			
New			
1997	N.A.	m 2.6	0.00
1998	N.A.	m 2.6	0.00
1999	MJC3901AC	m 2.6	3200.00
2000-05			
w/Perf Pkg	MXD3901AB	m 2.6	2900.00
w/o Perf Pkg	MJC3901AC	m 2.6	3200.00
Remanufactured			
1997	MJA3901ADE	m 2.6	1350.00
1998	MNC3901BCE	m 2.6	1410.00
1999-05	MJC3901ABE	m 2.6	1180.00
2 Tube Set, Steering Gear	JLM021603	m	55.65
3 Boot, Dust	R/L JLM020683	m #.3	56.90
4 End, Tie Rod	R/L JLM001098	m #.3	75.70
#Included w/Steering Gear Assy			
#R&R One Side Complete			
5 Bushing, Mounting			



033-01363			
1997	R MNC3953AC	m	5.10
	L MNC3953BC	m	5.10
1998			
To VIN 024686	R MNC3953AC	m	5.10
	L MNC3953BC	m	5.10
From VIN 024687	R MJB3953AA	m	4.95
	L MJB3953BA	m	12.40
1999	R MJB3953AA	m	4.95
	L MJB3953BA	m	12.40
2000-05			
w/Perf Pkg	R MXD3953BA	m	5.75
	L MXD3953AA	m	5.75
w/o Perf Pkg	R MJB3953BA	m	12.40
	L MJB3953AA	m	4.95
6 Brkt, Mtg Bushing	R MJA3952EA	m	38.25
	L MJA3952DA	m	38.25

STEERING PUMP

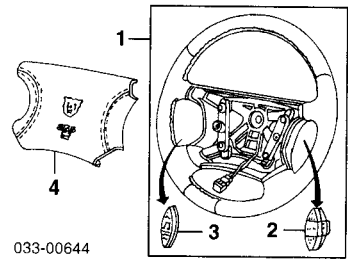


1 Pump, Steering	97-02 MJA8111BH	m 1.5	212.70
	03-05 C2C001079	m 1.5	172.55
2 Pulley, Pump	NCA3740AD	m .5	30.20
3 Brkt, Pump Mtg	NCA8301AB	m	62.05
4 Belt, Drive-See Cooling Section			
5 Hose, Pump/Gear	97-02 MJB3985AB	m .6	87.30
	03-05 C2N001068	m .6	86.80
6 Cooler, Oil			
1997-02			
XK8	MJA8084AB	m .8	101.20
XKR	MJB8084AA	m .8	203.95
2003-05	C2N002127	m .8	118.20
7 Hose, Cooler/Reservoir	MJE3999AA	m .4	51.50
8 Brkt, Oil Cooler	97-03 MJE8081AA		7.40
	04-05 MJE8081BA		4.05
#Order by Application			
9 Reservoir, Fluid	MJF4000AA	m .6	73.40
10 Bracket, Reservoir	MJB4003AB	m	14.80
11 Hose, Reservoir/Pump	97-02 MJA3980AD	m .3	29.00
	03-05 C2N001066	m .3	108.70

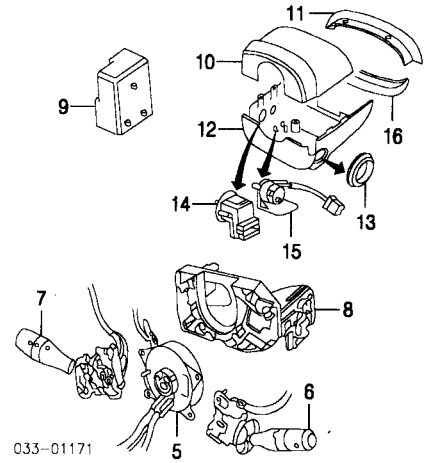
STEERING WHEEL/COLUMN

NOTE: All Parts in this section are included in overhaul unless noted otherwise.

WHEEL & TRIM



1 Wheel, Steering	HJE9180CCLEG	m .9	1010.00
#Order by Application			
2 Switch, Cruise Control-Serviced w/Steering Wheel			
3 Switch, Radio Control-Serviced w/Steering Wheel			
4 Module, Driver Air Bag-See Air Bag System Section			



5 Clockspring-See Air Bag System Section			
6 Switch, Wiper			
1997-99	LJA6460BC	m .8	121.30
2000-05			
w/Rain Sensor	LJD6460AA	m .8	160.70
w/o Rain Sensor	LJA6460BC	m .8	121.30
7 Switch, Turn Signal			
w/Auto H/Lamps	LJB6455AA	m .8	169.95
w/o Auto H/Lamps	LJA6455BC	m .8	166.90
8 Plate, Switch Mtg	LJE6475AB	m .8	23.25
9 Module, Lighting	LJA6490AC	m .7	150.65
10 Cover, Upper Column			
1997-02			
Antelope	HJA9340CAAGE	m .5	51.25
Coffee	HJA9340CASDC	m .5	51.25
Dark Teal	HJA9340CAHDV	m .5	51.25
Sable	HJA9340CAAEK	m .5	51.25
Slate	HJA9340CALFK	m .5	39.45
Warm Charcoal	HJA9340CALEG	m .5	51.25
2003-05			
Charcoal	C2N002607LEG	m .5	43.60
Sable			
To VIN A36873	C2N001777AEK	m .5	43.60
From VIN A36874	C2N002607AEK	m .5	43.60
11 Finisher, Upper Cover	HJA9344AA	m	4.85
12 Cover, Lwr Column			
1997-02			
w/Pwr Adjust			
Antelope	HJA9346BBAGE	m #.5	46.65
Coffee	HJA9346BASDC	m #.5	51.25
Dark Teal	HJA9346BAHDV	m #.5	51.25
Sable	HJA9346BBAEK	m #.5	46.65
Slate	HJA9346BALFK	m #.5	33.80
Warm Charcoal	HJA9346BBLEG	m #.5	46.65
w/o Pwr Adjust			
Antelope	HJA9348BBAGE	m #.5	46.65
Coffee	HJA9348BASDC	m #.5	51.25
Dark Teal	HJA9348BAHDV	m #.5	33.80
Sable	HJA9348BBAEK	m #.5	46.65
Slate	HJA9348BALFK	m #.5	30.70
Warm Charcoal	HJA9348BBLEG	m #.5	46.65
2003-05			
Charcoal			
To VIN A36873	C2N001531LEG	m #.5	41.40
From VIN A36874	C2N002608LEG	m #.5	43.60
Sable			
To VIN A36873	C2N001531AEK	m #.5	41.40
From VIN A36874	C2N002608AEK	m #.5	43.60
#Includes R&R Upper Column Cover			
13 Ring, Ignition Trim	HJA9341AA	m	1.65
14 Switch, Power Adjust	97-02 LNA6465AA	m	64.40
15 Switch, Lighting	LJA6500AB	m .6	135.70
16 Finisher, Lower Cover	HJA9350AB	m	8.65

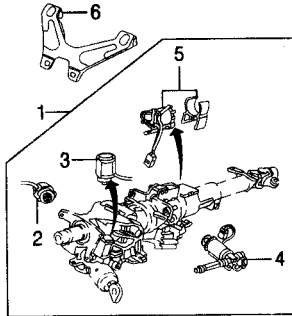
JAGUAR XK8/XKR 1997-05

STEERING WHEEL/COLUMN Cont'd

COLUMN TILT

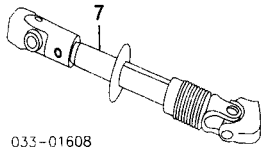
R&I Steering Columnm 3.0
 O/H Steering Column (Includes R&I).....m 5.3

NOTE: All Parts in this section are included in overhaul unless noted otherwise.



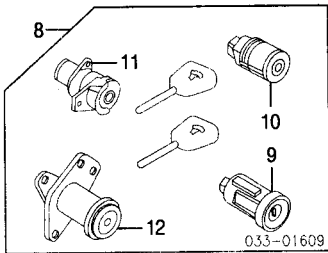
033-01607

1 Column Assy			
1997-02			
w/Pwr Adjust	97-00 HJA9263AF	m	5.3 680.00
	01-02 HJA9263BB	m	5.3 d510.00
w/o Pwr Adjust	97-00 HJA9261AF	m	5.3 765.00
	01-02 HJA9261BB	m	5.3 d635.00
2003-05	HJG9261AC	m	5.3 785.00
2 Switch, Ignition	LNC6507AA	m	.9 192.10
3 Solenoid, Interlock	LNA5860AA	m	.9 217.85
4 Motor, Tilt	JLM012186	m	.8 180.25
5 Motor, Telescopic	JLM012187	m	1.3 299.00
†Included w/Column Assy			
6 Bracket, Upper Mtg			
	97-00 HJA9422AB	m	23.65
	01-02 FJA2467AA	m	.70
	03-05 N.A.	m	0.00



033-01608

7 Shaft, Lower (b)	MJE9503AC	m	.7 194.70
---------------------------	-----------	---	-----------



033-01609

8 Lock Set, Complete (b)	C2N002405	m	# 435.00
(b) Order by Application			
*Not Included in O/H			
9 Cylinder, Ignition Lock (a)	BCC007849	m	d114.60
10 Cylinder, Glove Box Lock (a)	-See Instrument Panel Section		
11 Cylinder, Door Lock (a)	-See Front Door Section		
12 Cylinder, Lid Lock (a)	-See Luggage Lid Section		
(a) Included w/Complete Lock Set			

ENGINE/TRANS

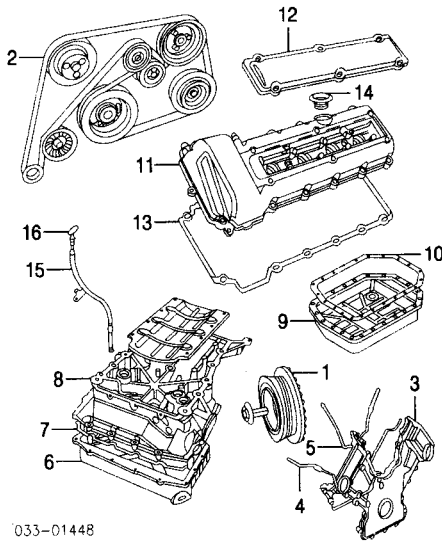
Use Procedure Explanation 12 with the following text.

1997-02

R&I Engine Assy		m	6.0
-----------------	--	---	-----

Illustration Located in Next Column

1 Damper, Crankshaft			
1997			
To VIN 008242	NCA1411AB	m	.8 243.60
From VIN 008243	AJ8001330	m	.8 223.00
1998-99	AJ8001330	m	.8 223.00
2000-02			
XK8	AJ8001330	m	.8 223.00
XKR	AJ8002733	m	1.1 223.55



033-01448

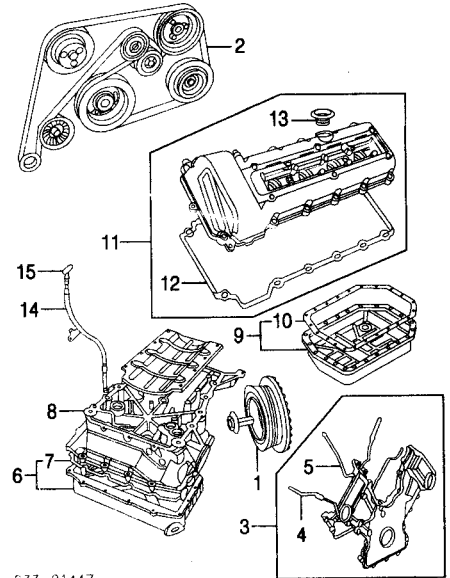
2 Belt, Drive-See Cooling Section				
3 Cover, Timing	NCA2110AF	m	5.6 750.00	
	AJ8001757	m	5.6 605.00	
	1999			
	2000-02			
	XK8	m	5.6 605.00	
	XKR	m	7.6 695.00	
4 Gskt, Otr Timing Cover	AJ8001757	m	25.10	
5 Gskt, Inr Timing Cover	NCA1272AC	m	25.10	
6 Part, Lower Eng Oil	AJ8003699	m	25.10	
7 Gskt, Eng Oil Pan	C2A001427	m	#1.0 83.95	
	NCA1730AD	m	#1.0 31.95	
#R&R Complete				
8 Pan, Upper Eng Oil	AJ8002247	m	#8.4 202.95	
	1997-99			
	2000-02			
	w/Eng Oil Cooler	AJ8002248	m	#8.4 222.00
	w/o Eng Oil Cooler	AJ8002247	m	#8.4 202.95
#Includes R&I Engine Assy & R&R Lower Eng Oil Pan				
9 Pan, Trans Oil	JLM020215	m	#1.9 130.05	
	XKR	m	#1.9 125.40	
10 Gskt, Trans Oil Pan	JLM020204	m	#1.9 19.85	
	XKR	m	#1.9 20.90	
#R&R Complete				
11 Cover, Valve				
	XK8	R	C2A001448 m #1.6 190.55	
	L	C2A001450 m #1.6 190.55		
	XKR	R	C2A001447 m #1.6 190.05	
	L	C2A001449 m #1.6 190.55		
#R&R Both Sides 3.0				
12 Cover, Coil	AJ8004151	m	15.45	
13 Gasket, Valve Cover	R AJ8008400	m	24.65	
	L AJ8008285	m	23.95	
	AJ8007922	m	10.80	
14 Cap, Oil Filler				
15 Tube, Eng Dipstick	NCA1706AB		.5 16.20	
	1997			
	1998			
	To VIN 028138	NCA1706AB	.5 16.20	
	From VIN 028139	NNE1706AC	.5 15.15	
	1999	NNE1706AC	.5 15.15	
	2000			
	To VIN A00366	NNE1706AC	.5 15.15	
	From VIN A00367	NRA1706AC	.5 10.75	
	2001-02	NRA1706AC	.5 10.75	
16 Dipstick, Eng Oil				
	1997	NCA1723AB	22.10	
	1998			
	To VIN 028138	NCA1723AB	22.10	
	From VIN 028139	C2C022741	16.55	
	1999-02	C2C022741	16.55	

2003-05

R&I Engine Assy		m	6.0
-----------------	--	---	-----

Illustration Located in Next Column

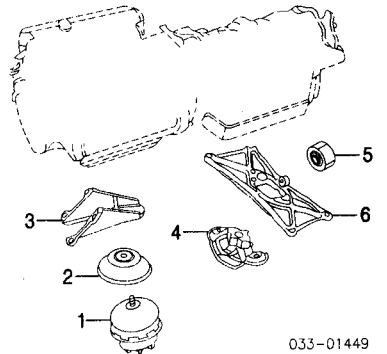
1 Damper, Crankshaft			
	XK8	AJ8008478	m .8 193.15
	XJR	AJ8003993	m 1.1 223.00
2 Belt, Drive-See Cooling Section			
3 Cover Assy, Timing			
	XK8	AJ8002257	m 5.6 505.00
	XKR	AJ8002460	m 7.6 650.00
4 Gskt, Otr Timing Cover			
5 Gskt, Inr Timing Cover			
	XK8	AJ8003700	m 25.10
	XKR	AJ8003699	m 25.10
†Included w/Timing Cover Assy			
6 Pan Assy, Lower Engine Oil			
7 Gskt, Eng Oil Pan (a)			
	C2A001427	m	#1.0 83.95
	NCA1730AD	m	#1.0 31.95
(a) Included w/Lower Engine Oil Pan Assy			
#R&R Complete			



033-01447

8 Pan, Upper Eng Oil	AJ8004055	m	#8.4 79.05
#Includes R&I Engine Assy & R&R Lower Eng Oil Pan			
9 Pan Assy, Trans Oil	C2C006715	m	1.9 106.60
10 Gskt, Trans Oil Pan (b)	C2C006714	m	22.40
(b) Included w/Trans Oil Pan Assy			
11 Cover Assy, Valve			
	XK8	R AJ8002857	m #1.6 148.35
	L	AJ8002855	m #1.6 148.35
	XKR	R AJ8002542	m #1.6 140.10
	L	AJ8002874	m #1.6 154.25
#R&R Both Sides 3.0			
12 Gasket, Valve Cover (c)	R AJ8002873	m	13.80
	L AJ8006873	m	22.95
13 Cap, Oil (c)	R AJ8007922	m	10.80
(c) Included w/Valve Cover Assy			
14 Tube, Eng Dipstick	NNE1706AC		.5 15.15
15 Dipstick, Eng Oil	C2C022741		16.55

ENGINE/TRANS MOUNTS



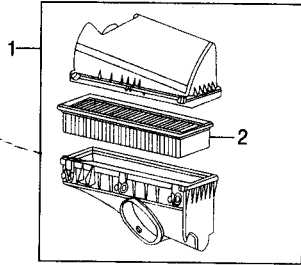
033-01449

1 Mount, Engine	R/L	MNC7500AB	.8	79.85
	R/L	MNC7526AA		58.20
2 Shield, Heat				63.10
3 Brkt, Engine Mount	97-98 R	MCA7510AC		63.10
	L	MCA7511AC		60.25
	99-05 R	AJ8001443		63.10
	L	MCA7511AC		63.10
4 Mount, Trans				
	1997-99	MNA7550AC	.5	66.95
	2000-03			
	XK8	MNA7550AC	.5	66.95
	XKR	MNC7550AB1	.5	61.80
	2004-05	XR801700A	.5	90.40
5 Mount, Rear	97-99	MNA7575AB	.5	105.85
6 Support, Rear Mount				
	1997-99	MJA7600AH	.5	109.70
	2000-03			
	XK8	MJA7600AH	.5	109.70
	XKR	MJB7600AB	.5	261.00
	2004-05	C2N001739	.5	225.05

AIR CLEANER

1997-02

R&I Air Cleaner Assy			.5
----------------------	--	--	----

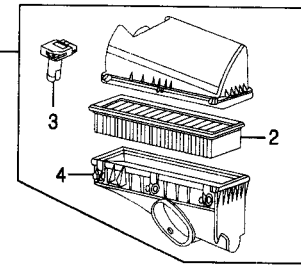


033-01451

1 Cleaner Assy, Air	NJC3500AA	.5	144.20
2 Element, Cleaner	NJA3558AA	.3	38.75
*Included w/Air Cleaner Assy			
3 Brkt, Mounting			
XK8			
w/Premium Sound	NJA3557AA		13.60
w/o Premium Sound	NJA3515AB		12.30
XKR	NJB3515AC		11.05
4 Grommet, Mounting	R/L NBC3530AA	.85	
5 Mount, Center	EAC008130		6.40
6 Tube, Air Intake	NJB3510AC	.2	20.15
7 Seal, Intake Tube	NJA3541AA		8.65
8 Meter, Air Flow			
XK8	97-98 LJA1620AE	m	.3 299.00
	99-02 LNE1620CB	m	.3 251.00
XKR	LNE1620BB	m	.3 190.55
9 Hose, Air Flow			
1997-98	NJA3555AE	.2	49.95
1999	NNE3555AC	.2	48.85
2000-02			
XK8	NNE3555AC	.2	48.85
XKR	NJB3555AA	.2	52.55
10 Seal, Duct/Meter	NJA3553AA		6.30
11 Seal, Duct/Throttle Body	NJA3554AA		7.05

2003-05

R&I Air Cleaner Assy5



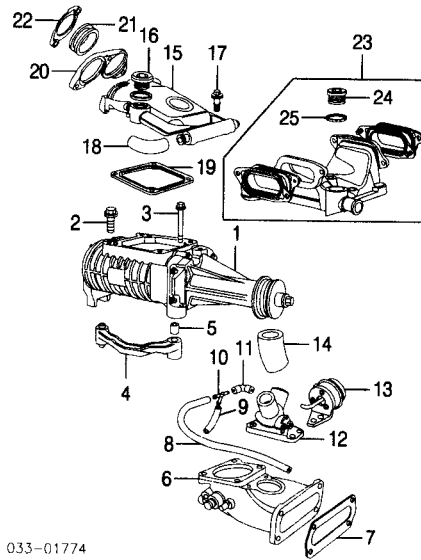
033-01773

1 Cleaner Assy, Air			
XK8	XR8023351	.5	251.00
XKR	C2N001551	.5	277.00
2 Element, Cleaner	NJA3558AA	.3	38.75
3 Sensor, Air Flow			
XK8	C2S002670	m	.3 42.65
XKR	C2C007636	m	.3 124.65
4 Clip, Retainer (5)	NAB3511AA		2.95
*Included w/Air Cleaner Assy			
5 Brkt, Mounting			
XK8	NJA3515AB		12.30
XKR	NJB3515AC		11.05
6 Grommet, Mounting	R/L NBC3530AA	.85	
7 Mount, Center	EAC008130		6.40
8 Tube, Air Intake	NJB3510AC	.2	20.15
9 Seal, Intake Tube	NJA3541AA		8.65

10 Duct, Air			
XK8	C2N001041	.2	85.25
XKR	C2N002490	.2	174.10

SUPERCHARGER/INTERCOOLER

XKR

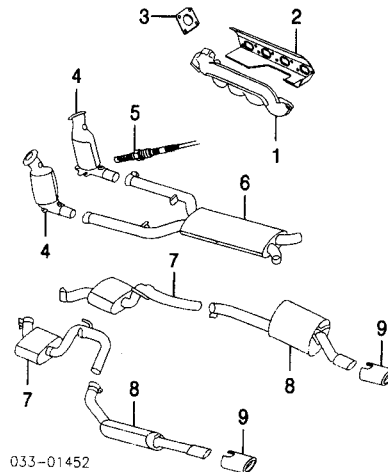


033-01774

1 Supercharger	00-03 AJ8005326	m	4.7 1600.00
	04-05 AJ8003284	m	4.7 1625.00
2 Screw, Rear	JFS10830B		.85
3 Bolt, Mounting (2)	JFB10818B		3.35
4 Bracket, Mounting	NCC7708AB	m	41.10
5 Pin, Dowel (4)	EAZ002159		1.85
6 Housing, Intake	AJ8003052	m	#1.6 159.15
*Includes R&R Supercharger By-Pass Valve & Actuator			
7 Gasket, Housing	NCC7754BA	m	41.30
8 Hose, Vacuum	NCA3239AA1	m	1.45
9 Hose, By-Pass	AJ8003877	m	1.15
10 Connector, Hose	C015644	m	1.25
11 Hose, Actuator By-Pass	EAC0097965	m	17.85
12 Valve, By-Pass	AJ8005330	m	#1.6 179.25
13 Actuator, Supercharger	NCC7703AC	m	#1.6 131.35
*R&R Complete			
14 Hose, Water By-Pass	R/L NCC2213AC	m	3.25
15 Duct, Outlet	AJ8005393	m	#1.1 224.05
*Included in R&R Supercharger			
16 Plug, Outlet Duct	JZD100005		22.15
17 Bolt, Fastener (4)	AJ8008398		1.90
18 Hose, Water	NCC7723AA	m	8.60
19 Gasket, Outlet Duct	NCC7735BA	m	72.65
20 Plate, Duct	AJ8006926	m	27.95
21 Seal, Plate	R/L AJ8006925	m	33.30
22 Clamp, Plate	AJ8006927-8	m	22.25
23 Duct Assy, Air Outlet	AJ8005393	m	.7 224.05
24 Plug, Outlet Duct	JZD100005		22.15
25 Seal, Plug	JWV130001		2.55
*Included w/Air Outlet Duct Assy			

EXHAUST

R&R Exhaust System Complete #2.5
*Does Not Include R&R Exhaust Manifolds



033-01452

1 Manifold, Exhaust			
1997	R NCA2900EA	m	#3.4 297.00
	L NCA2901DB	m	#3.4 297.00
1998-99	R NCA2900DA	m	#3.4 297.00
	L NCA2901DB	m	#3.4 297.00

2000-02	R NCA2900GB	m	#3.4 289.00
w/EGR	L NCA2901EB	m	#3.4 288.00
w/o EGR	R NCA2900FB	m	#3.4 274.00
	L NCA2901EB	m	#3.4 288.00
2003-05	R AJ8003917	m	#3.4 495.00
w/Supercharger	L AJ8003919	m	#3.4 495.00
w/o Supercharger	R AJ8003916	m	#3.4 454.00
	L AJ8003918	m	#3.4 454.00

#R&R Both Sides 6.0			
2 Gasket, Manifold/Cyl Head	R NCA2906AE	m	31.95
	L NCA2907AE	m	31.95
3 Gasket, Manifold	R/L EAZ002050	m	5.20

4 Pipe w/Converter, Front			
XK8			
1997-98	R NNE6700CA	1.0	880.00
	L NNE6701CA	1.0	840.00
1999	R NNE6700GD	1.0	1010.00
	L NNE6701GD	1.0	1010.00
2000	R NNE6700CA	1.0	880.00
w/Catalyst	L NNE6701CA	1.0	840.00
w/o Catalyst	R NJA6700FA	1.0	830.00
	L NJA6701FA	1.0	d810.00

2001	R NNE6700CA	1.0	880.00
To VIN A13096	L NNE6701CA	1.0	840.00
w/Catalyst	R NJA6700FA	1.0	830.00
w/o Catalyst	L NJA6701FA	1.0	d810.00
From VIN A13097	R NNE6700GD	1.0	1010.00
w/Catalyst	L NNE6701GD	1.0	1010.00
w/o Catalyst	R NJA6700FA	1.0	830.00
	L NJA6701FA	1.0	d810.00

2002	R NNE6700GD	1.0	1010.00
w/Catalyst	L NNE6701GD	1.0	1010.00
w/o Catalyst	R NJA6700FA	1.0	830.00
	L NJA6701FA	1.0	d810.00
2003-05	R C2N001250	1.0	790.00
	L C2N001262	1.0	790.00
XKR	00-02 R NNF6700AD	1.0	855.00
	L NNF6701AD	1.0	855.00
	03-05 R C2A001000	1.0	790.00
	L C2N001263	1.0	790.00

5 Sensor, Oxygen			
Upper	97-98 LJA1682AE	m	.5 289.00
	99-02 LNE1684BB	m	.5 405.00
	03-05 C2C007359	m	.5 104.30
Lower (2)	97-02 LJA1680AE	m	.5 134.45
	03-05 C2C029566	m	.5 109.00

6 Muffler w/Pipe, Front			
XK8	97-02 NJE6757BA	.7	388.00
	03 C2N002345	.7	391.00
	04-05 C2N001841	.7	390.00
XKR	00-02 NJE6757AA	.7	433.00
	03 C2N002346	.7	435.00
	04-05 C2N001842	.7	433.00

7 Muffler, Intermediate			
1997-02	R NJE6760AA	.7	215.80
	L NJE6761AA	.7	215.80
2003	R C2N001051	.7	184.40
	L C2N003036	.7	184.40

2004	R C2N001051	.7	184.40
To VIN A38249	L C2N003036	.7	184.40
From VIN A38250	R/L C2N003035-6	.7	184.40
2005	R/L C2N003035-6	.7	184.40

8 Muffler w/Pipe, Rear			
1997-99	R NJC6784AA	.7	206.55
	L NJC6785AA	.7	193.65
2000	R NJC6784AA	.7	206.55
XK8	L NJC6785AA	.7	193.65
XKR	R NJD6784AB	.7	290.00
	L NJD6785AB	.7	290.00

2001-02	R NJD6784BA	.7	d176.00
XK8	L NJD6785BA	.7	d176.00
XKR	R NJE6784AB	.7	264.00
	L NJE6785AB	.7	264.00

2003-05	R NJD6784BA	.7	d176.00
XK8	L NJD6785BA	.7	d176.00
XJR	R C2N001492	.7	249.30
	L C2N001480	.7	249.30

9 Finisher, Tailpipe	01-02 R/L NNC6721BA	.2	40.85
	03-05 R/L C2N001457	.2	46.00

EMISSION SYSTEM

Illustration Located in Next Column

1 Valve, EGR	97-99 LCA1550AE	m	.9 240.00
	00-05 AJ8008582	m	.9 225.60
2 Sensor, MAP	97-02 LNF1622AA	m	.5 160.20
3 Pipe, EGR Valve	97-99 AJ8003890	m	#1.3 91.95
	00-02 AJ8006857	m	#1.3 225.05
	03-05 AJ8006323	m	#1.3 119.00
*Includes R&R EGR Valve			