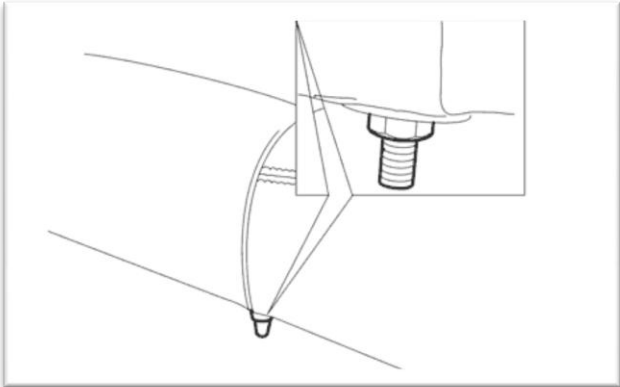


Installation Instructions:

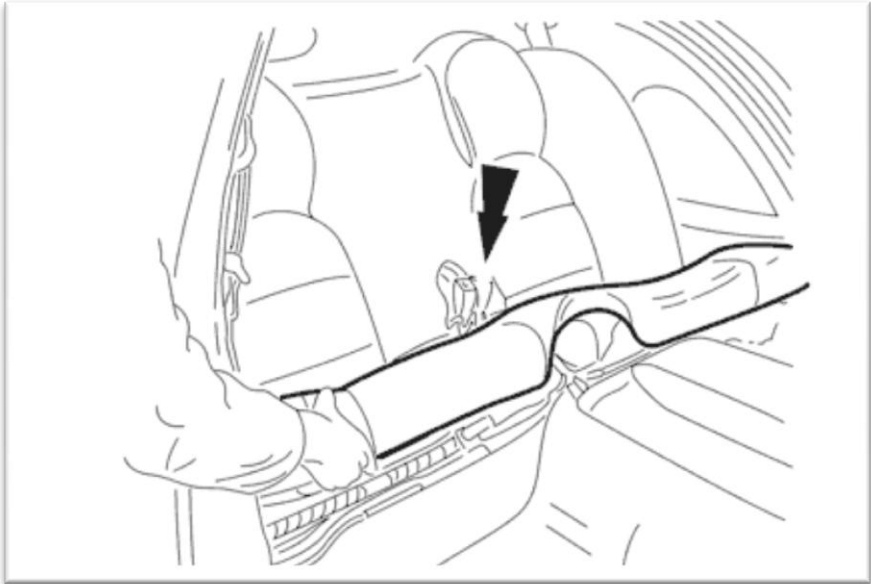
The installation is much easier when the rear seat is removed.
Removing the rear seat according to JTIS. (you should have it)

Rear Seat Cushion 76.70.37

- 1. Slacken and remove the two rear seat cushion securing nuts.

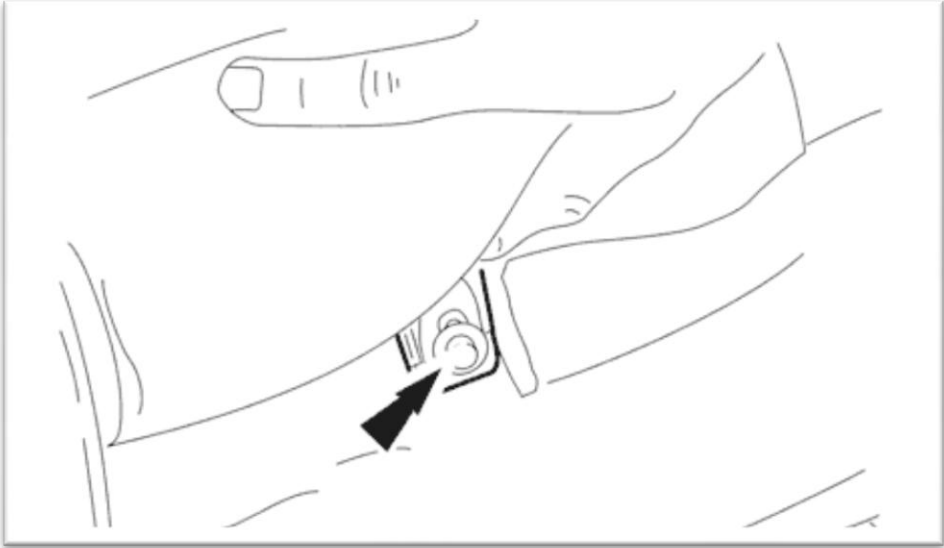


- 2. Raise seat cushion for access, pass seat belt anchors through central penetration and remove seat cushion from vehicle.

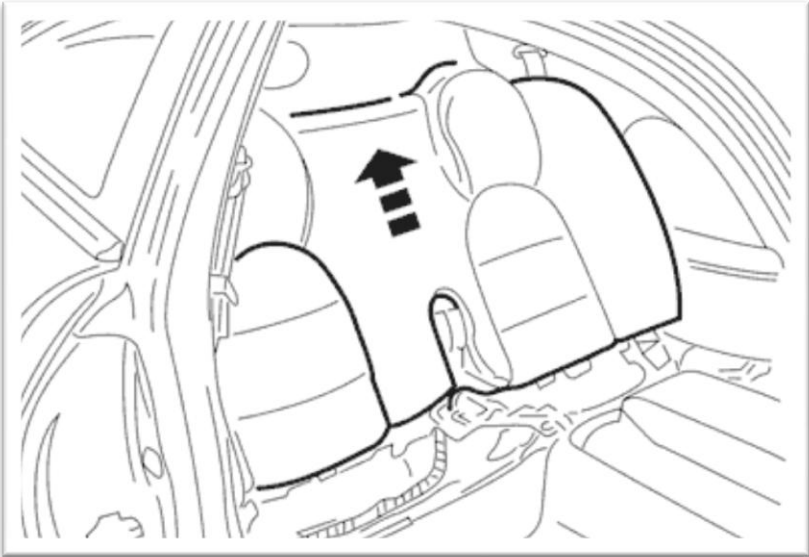


Rear Seat Backrest 76.70.38

- 3. Slacken and remove the two rear seat squab securing screws.



- 4. Move seat squab upwards to release body tangs.



5. Rear Quarter Trim Panel (need not to be removed)
Now you have to measure the position for the brackets.



Screw this bracket to the left and right.
Fastened with two screws.

Screw this bracket to the left and right.
For this you have to drill a hole in the Rear Quarter Trim Panel. Hold the bracket from behind with a nut.

Here are some Pics of mine:





