

**Corroded Pipe For Canister Close Valve –
Replace Pipe –
Service Action S837**

MODEL 2000-01 MY
XK Range
VIN A00083-A13961

Issue:

Some 2000-01 MY XK vehicles within the above VIN range may experience corrosion in the vapor pipe that leads from the canister close valve (CCV) to the filter.

This condition can cause rust particles to flow into the CCV. Dealers should replace the CCV to filter vapor pipe with the latest specification vapor pipe at the next service opportunity.

Refer to Technical Bulletin 303-46, for the procedure to replace the CCV, if damaged.

Action:

Replace the vapor pipe, on all 2000-2001 MY XK vehicles within the above VIN range using the procedure below:

1. Raise vehicle on lift and remove right rear wheel.
2. Disconnect vapor pipe hose from filter (Illustration 1).

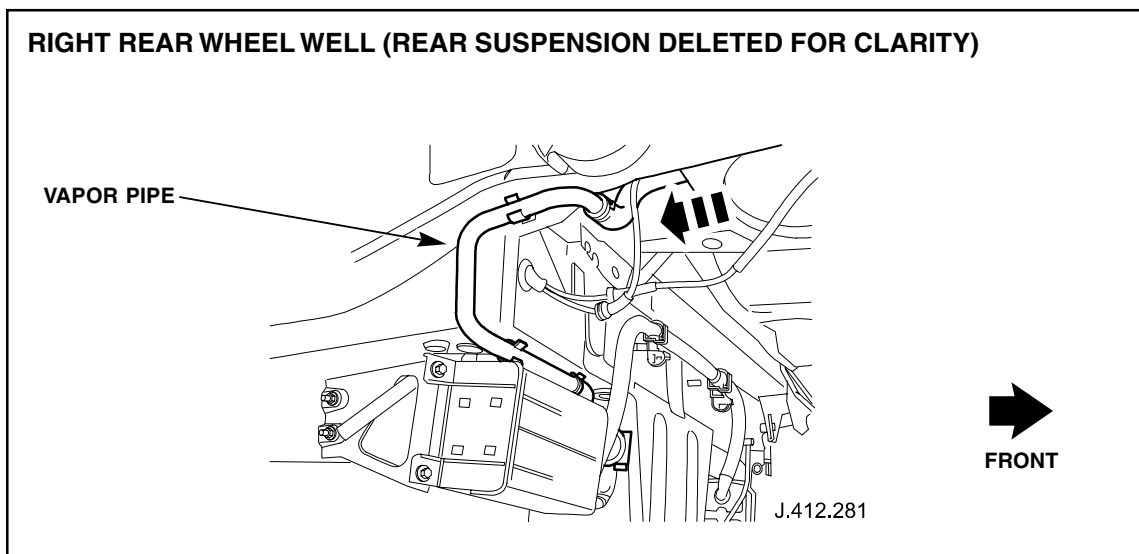


ILLUSTRATION 1

3. Detach vapor pipe from plastic body clips (Illustration 2).

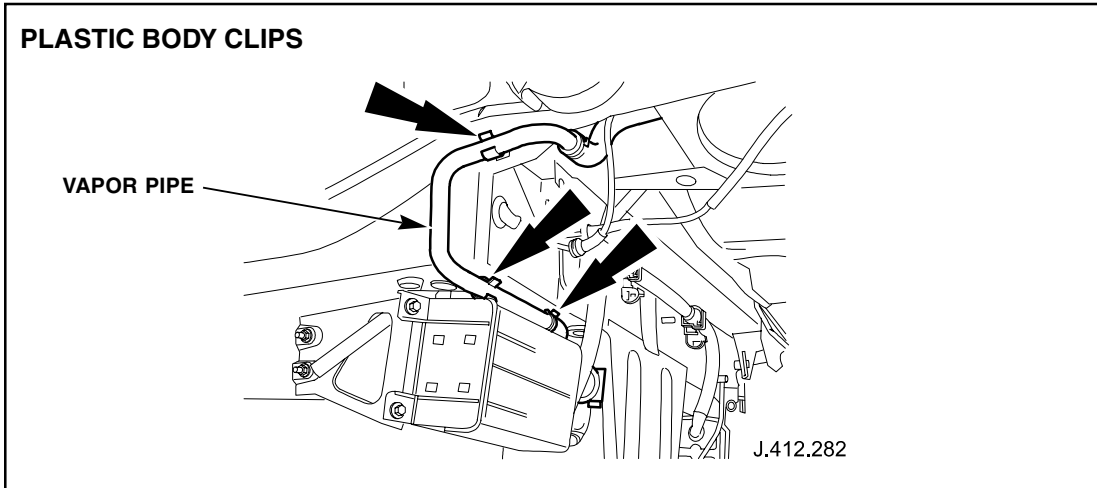


ILLUSTRATION 2

4. Reposition the rubber cover of the connector for access (Illustration 3).

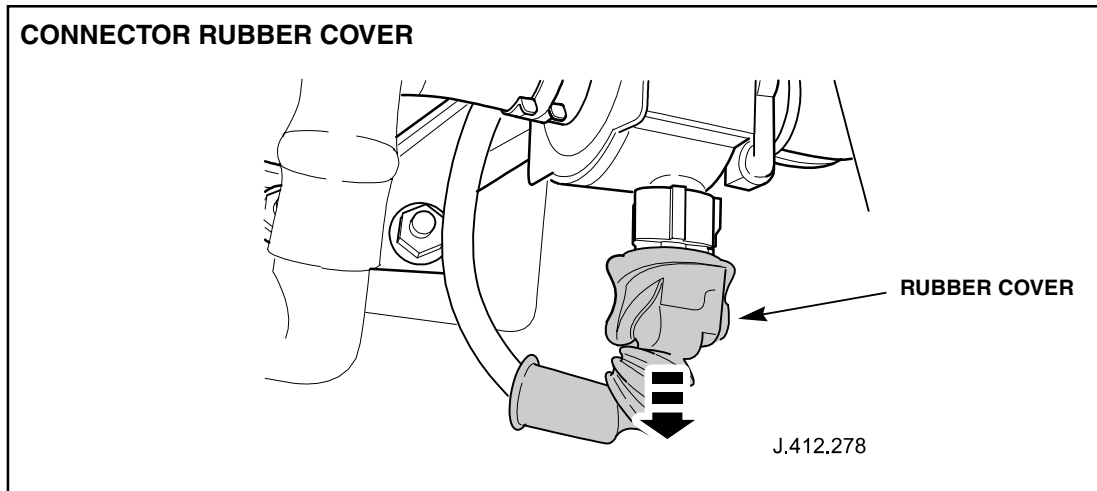


ILLUSTRATION 3

5. Disconnect canister close valve connector (Illustration 4).

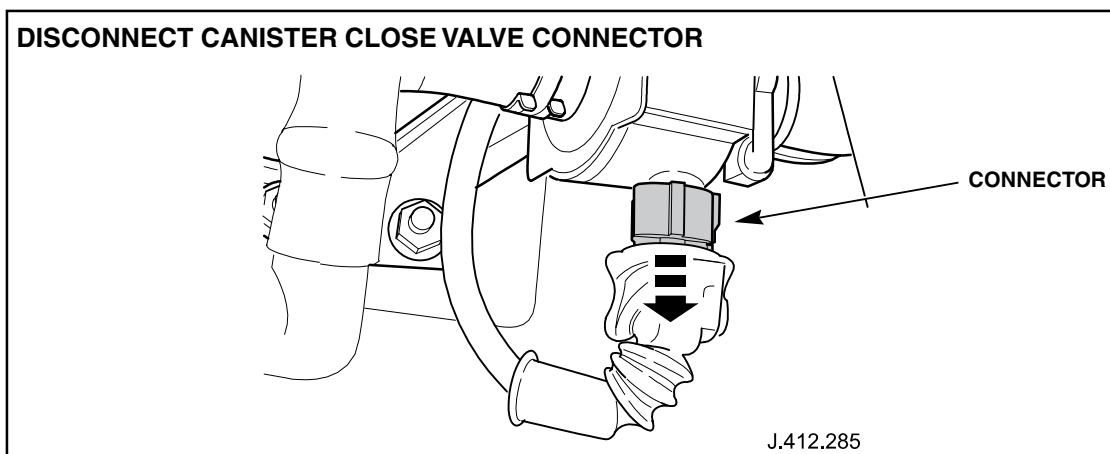


ILLUSTRATION 4

6. Release and reposition the hose clip securing the carbon canister hose to the canister close valve (Illustration 5).

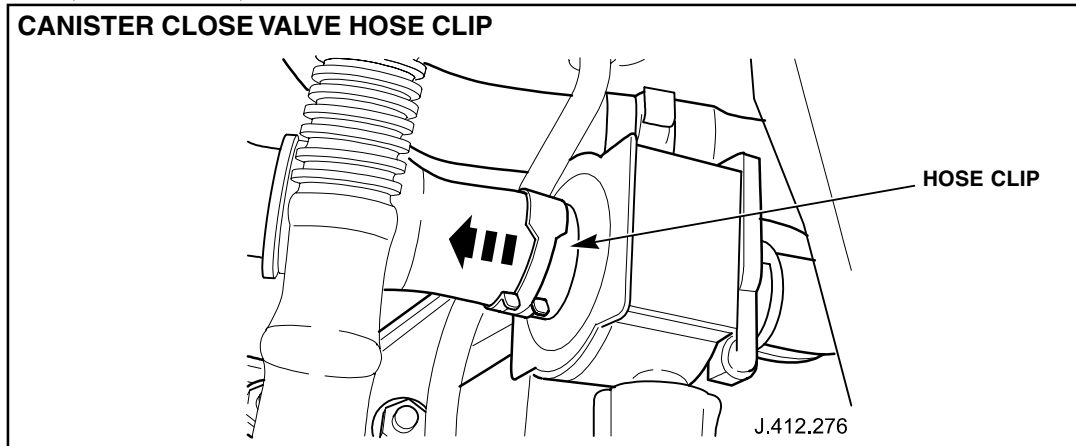


ILLUSTRATION 5

7. Remove the nut that secures the canister close valve to the body (Illustration 6).

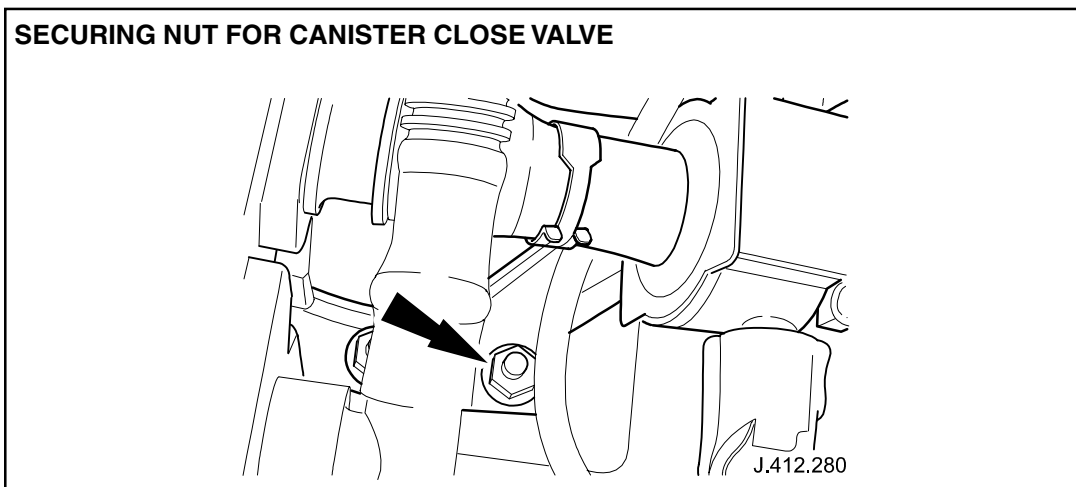


ILLUSTRATION 6

8. Remove the nut that secures the canister close valve to the body adjacent to canister inlet/outlet pipes (Illustration 7).

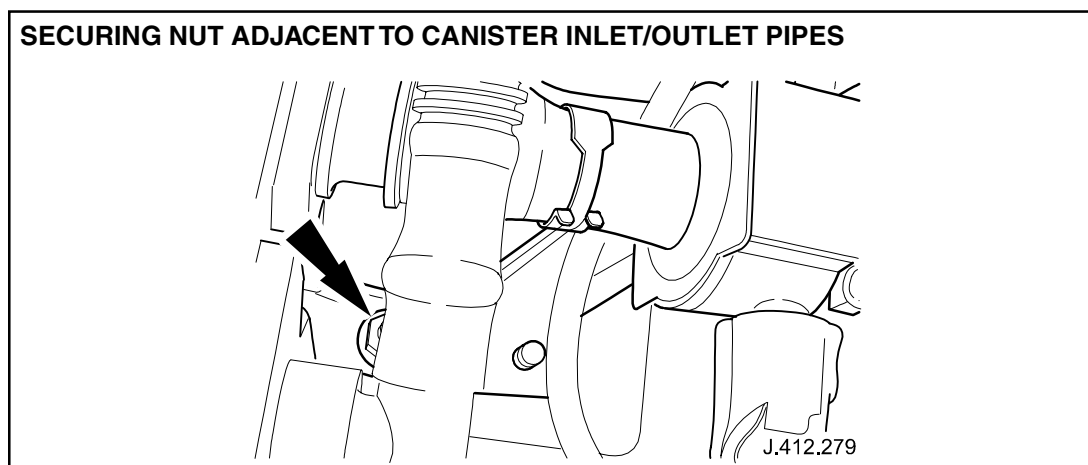


ILLUSTRATION 7

9. Reposition canister close valve and carbon canister from body studs for access.
10. Disconnect canister close valve from carbon canister hose.
11. Remove canister close valve/vapor pipe assembly from vehicle (Illustration 8).

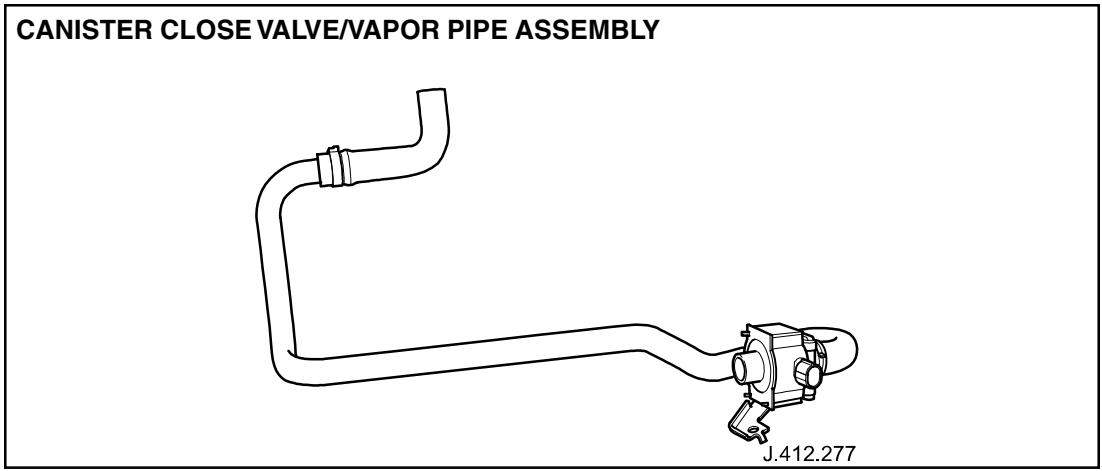


ILLUSTRATION 8

12. Release and reposition the clip that secures the vapor pipe hose to the canister close valve (Illustration 9).

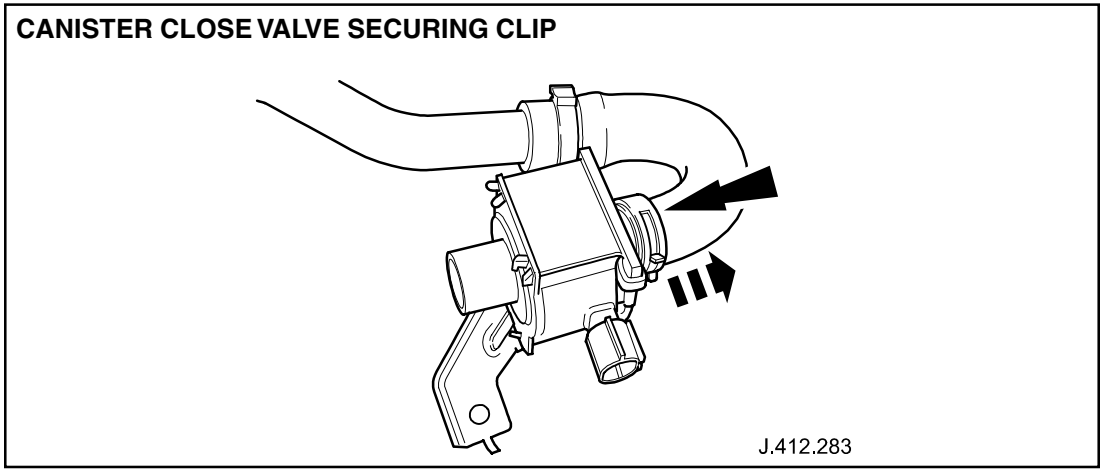


ILLUSTRATION 9

13. Remove canister close valve from vapor pipe hose and place aside (Illustration 10).

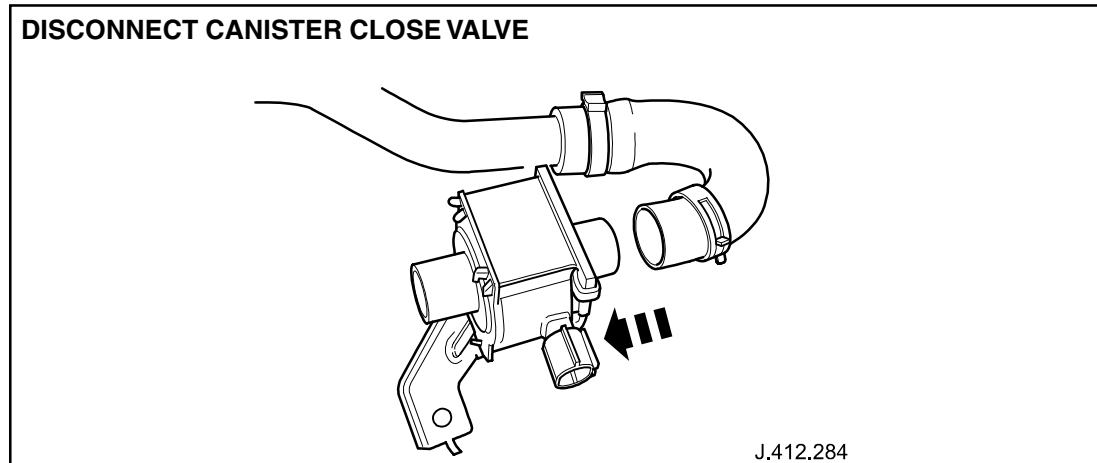


ILLUSTRATION 10

14. Remove the securing clip from the vapor pipe hose.
15. Place the old vapor pipe/hose assembly aside.
16. Position the securing clip on the vapor pipe hose.
17. Insert the canister close valve in the vapor pipe hose.
18. Reposition the securing clip on the hose from the vapor pipe to the canister close valve.
19. Install the canister close valve/vapor pipe assembly in the vehicle.
20. Connect the canister close valve to the carbon canister hose.
21. Position the carbon canister and the canister close valve on to the body studs. Ensure that the alignment tang of the canister close valve bracket engages in the body hole.
22. Install and tighten the nut that secures the carbon canister to the body.
23. Install and tighten the nuts that secure canister close valve to the body.
24. Reposition the hose clip that secures canister close valve to the carbon canister hose.
25. Connect the canister close valve connector.
26. Reposition the rubber cover over the canister close valve connector.
27. Secure the vapor pipe in the plastic body clips.
28. Connect the vapor pipe hose to the filter.
29. Reinstall right rear wheel and lower the vehicle.
30. Check the EVAP system for leaks.

Parts Information:

<u>DESCRIPTION</u>	<u>PART NUMBER</u>	<u>QTY</u>
Vapor pipe	NJC 6107AC	1

Warranty Information:

Service Action S837

<u>VEHICLE</u>	<u>SUMMARY CODE</u>	<u>R.O. NUMBER</u>	<u>DESCRIPTION ALLOWANCE</u>	<u>TIME</u>
2000-01 MY XK8 VIN A00083- A13691 Model codes 2830, 2840, 2930, 2940	FB	17.15.51	Replace vapor pipe -without drive-in/out time (performed with another repair.)	0.20 hrs.
2000-01 MY XK8 VIN A00083- A13691 Model codes 2830, 2840, 2930, 2940	FC	17.15.51 10.10.10	Replace vapor pipe -with drive-in/out time (performed with another repair.)	0.20 hrs. 0.15 hrs.

NOTE: Always perform a DCS claim search first to determine whether this service action has been performed on this vehicle. The warranty selection under the vehicle inquiry will give a listing of all claims against the vehicle. If S837 appears in the fault code field, do not perform this service action.

CLAIM SUBMISSION PROCEDURE:

Warranty summary codes have been assigned to this service action in order to simplify claim submission. The dealership will be reimbursed the parts and labor time allowance as indicated.

DCS DEALERS

Submit claims using the appropriate summary code for the vehicle model and work performed. Follow standard campaign submission procedures.

NON-DCS DEALERS

Submit claims on the Recall Campaign Summary form W-25. Enter the appropriate summary code for the vehicle model and work performed in the Repair Code column. Do not use the W-1 warranty claim form.